

## ***Spare Parts Catalogue***

---

Version: 2012/11/20e EN



**JAZZ**

**DOLOMITE® JAZZ**

## **General Information**

*For any order of spare parts the following information is required:*

- Product type*
- Product name & model*
- Serial Number*
- Part-Number*
- Part-Description*

*Exploded view drawings and code numbers are not contractual and subject to modification, in relation to Invacare® continuous product improvement policy to meet end users needs.*

*The reproduction or use of this work, or of any substantial part of this work, in any form or by any electronic, mechanical or other means, including photocopying, scanning and recording, and in any information storage and retrieval system, including electronic transmission, is forbidden without the prior written permission of Invacare® International Sarl.*

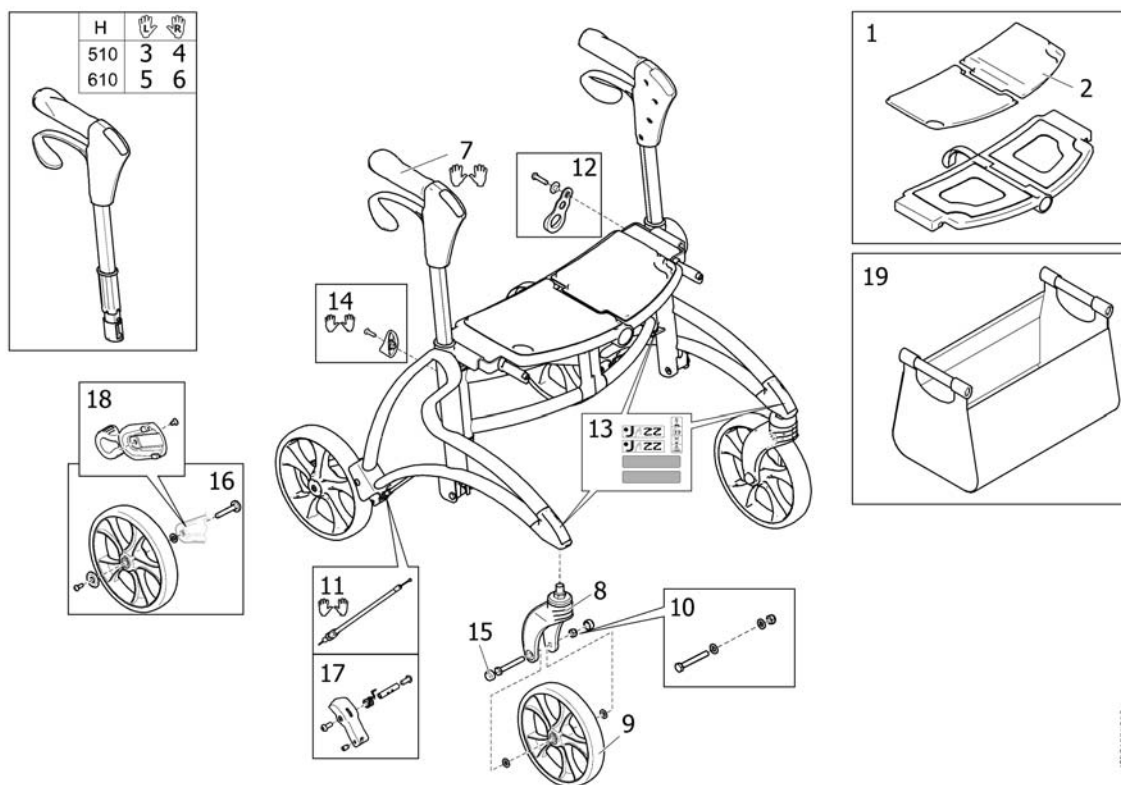
## **TABLE OF CONTENTS**

---

Spare parts .....	5
Accessories .....	6



## Spare parts



15P51559202

Pos.	Part number	Description	Valid from → until	Qty
1	SP1542575	Seat, Velcro and Strap		1
2	SP1563253	Seat Pads		1
3	SP1543723	Push handle 510 Left Cpl.		1
4	SP1543722	Push handle 510 Right Cpl.		1
5	SP1543725	Push handle 610 Left Cpl.		1
6	SP1543724	Push handle 610 Right Cpl.		1
7	SP1563282	Anatomic Hand Grip, Pair		1
8	SP1553013	Front Fork Cpl.		1
9	SP1551848	Wheel		1
10	SP1563204	Axle Cpl., Front Wheel		1
11	SP1563205	Wire Cover Brake Cpl.		1
12	SP1563206	Folding Lock Incl. Fixation		1
13	SP1563255	Label Kit		1
14	SP1563244	Handle Height Adjustment + Screw		1
15	1452282	Cover 20 pcs		1
16	SP1563247	Rear Wheel Incl Fixation		1
17	SP1563249	Brake Pad Incl. Fixation		1
18	SP1563251	Kerb Climber		1
19	SP1546204	Basket		1

## Accessories



SP1563202

Pos.	Part number	Description	Valid from → until	Qty
1	SP1560336	Basket, grey		1
2	SP1564104	Basket, red		1
3	SP1512912	Cane holder		1
4	SP1522062	Backrest		1
5	SP1551654	Padding, backrest		1
6	SP1546264	Tray		1





**Belgium & Luxemburg** Invacare nv, Autobaan 22, B-8210 Loppem

Tel: (32) (0)50 83 10 10, Fax: (32) (0)50 83 10 11 [belgium@invacare.com](mailto:belgium@invacare.com) / [www.invacare.be](http://www.invacare.be)

**Denmark** Invacare A/S, Sdr. Ringvej 37, DK-2605 Brøndby

Tel: (45) (0)36 90 00 00, Fax: (45) (0)36 90 00 01 [denmark@invacare.com](mailto:denmark@invacare.com) / [www.invacare.dk](http://www.invacare.dk)

**Deutschland** Invacare GmbH, Alemannenstraße 10, D-88316 Isny

Tel: (49) (0)75 62 7 00 0, Fax: (49) (0)75 62 7 00 66 [kontakt@invacare.com](mailto:kontakt@invacare.com)

**European Distributor Organisation** Invacare, Kleiststraße 49, D-32457 Porta Westfalica

Tel: (49) (0)57 31 754 540, Fax: (49) (0)57 31 754 541 [edo@invacare.com](mailto:edo@invacare.com) / [www.invacare.eu.com](http://www.invacare.eu.com)

**España** Invacare SA, c/Areny s/n, Poligon Industrial de Celrà, E-17460 Celrà (Girona)

Tel: (34) (0)972 49 32 00, Fax: (34) (0)972 49 32 20 [contactsp@invacare.com](mailto:contactsp@invacare.com) / [www.invacare.es](http://www.invacare.es)

**Finland** Algot/Trehab Oy, Karapellontie 6, PI 13, FIN-02611 Espoo

Tel: +358-9 509 91, Fax: +358-9 509 92 58 [www.algopharma.fi](http://www.algopharma.fi)

**France** Invacare Poirier SAS, Route de St Roch, F-37230 Fondettes

Tel: (33) (0)2 47 62 64 66, Fax: (33) (0)2 47 42 12 24 [contactfr@invacare.com](mailto:contactfr@invacare.com) / [www.invacare.fr](http://www.invacare.fr)

**Ireland** Invacare Ireland Ltd, Unit 5 Seatown Business Campus, Seatown Road, Swords, County Dublin - Ireland

Tel: (353) 1 810 7084, Fax: (353) 1 810 7085 [ireland@invacare.com](mailto:ireland@invacare.com) / [www.invacare.ie](http://www.invacare.ie)

**Italia** Invacare Mecc San s.r.l., Via dei Pini 62, I-36016 Thiene (VI)

Tel: (39) 0445 38 00 59, Fax: (39) 0445 38 00 34 [italia@invacare.com](mailto:italia@invacare.com) / [www.invacare.it](http://www.invacare.it)

**Nederland** Invacare BV, Celsiusstraat 46, NL-6716 BZ Ede

Tel: (31) (0)318 695 757, Fax: (31) (0)318 695 758 [nederland@invacare.com](mailto:nederland@invacare.com) / [www.invacare.nl](http://www.invacare.nl)  
[csede@invacare.com](mailto:csede@invacare.com)

**Norge** Invacare AS, Grensesvingen 9, Postboks 6230, Etterstad, N-0603 Oslo

Tel: (47) (0)22 57 95 00, Fax: (47) (0)22 57 95 01 [norway@invacare.com](mailto:norway@invacare.com) / [www.invacare.no](http://www.invacare.no)  
[island@invacare.com](mailto:island@invacare.com)

**Österreich** Invacare Austria GmbH, Herzog Odilostrasse 101, A-5310 Mondsee

Tel: (43) 6232 5535 0, Fax: (43) 6232 5535 4 [info-austria@invacare.com](mailto:info-austria@invacare.com) / [www.invacare.at](http://www.invacare.at)

**Portugal** Invacare Lda, Rua Estrada Velha, 949, P-4465-784 Leça do Balio

Tel: (351) (0)225 1059 46/47, Fax: (351) (0)225 1057 39 [portugal@invacare.com](mailto:portugal@invacare.com) / [www.invacare.pt](http://www.invacare.pt)

**Sverige** Invacare AB, Fagerstagatan 9, S-163 91 Spånga

Tel: (46) (0)8 761 70 90, Fax: (46) (0)8 761 81 08 [sweden@invacare.com](mailto:sweden@invacare.com) / [www.invacare.se](http://www.invacare.se)

**Switzerland** Invacare AG, Benkenstrasse 260, CH-4108 Witterswil

Tel: (41) (0)61 487 70 80, Fax: (41) (0)61 487 70 81 [switzerland@invacare.com](mailto:switzerland@invacare.com) / [www.invacare.ch](http://www.invacare.ch)

**United Kingdom** Invacare Limited, Pencoed Technology Park, Pencoed, Bridgend CF35 5AQ

Switchboard Tel: (44) (0)1656 776200, Fax: (44) (0)1656 776201

Customer services Tel: (44) (0)1656 776222, Fax: (44) (0)1656 776220 [UK@invacare.com](mailto:UK@invacare.com) / [www.invacare.co.uk](http://www.invacare.co.uk)

**USA** Clarke Health Care, 1003 International Drive, Oakdale, PA 15071-9226 USA

Tel: 724-695-2122 Fax: 724-695-2922 [info@clarkehealthcare.com](mailto:info@clarkehealthcare.com) [www.clarkehealthcare.com](http://www.clarkehealthcare.com)

**Canada** Invacare Canada Inc. 570 Matheson Blvd. East, Mississauga, Ontario L4Z 4G4, Canada

Tel: +1-905 890 8300 Fax: 001 905 890 5244 [www.invacare.ca](http://www.invacare.ca)

**New Zealand** Howard Wright Ltd. P.O Box 6035, Port View Crescent, New Plymouth

Tel: +64-06 7510542 Fax: +64-06 7512070 [sales@invacare.co.nz](mailto:sales@invacare.co.nz) [www.invacare.co.nz](http://www.invacare.co.nz)

**Greece** Handitech Scandinavian Reha Aids Center 11 G Seferi str., 542 50 Thessaloniki

Tel: +30 2310324114 Fax: +30 2310324054 [info@handitech.gr](mailto:info@handitech.gr) [www.handitech.gr](http://www.handitech.gr)

**Japan** LAC Health Ltd. 2-10-20 Minami-Semba, Chuo-ku, Osaka 542-0081

Tel: +81 66244 0636 Fax: +81 66244 0836 [hanafusa@lac/hc.co.jp](mailto:hanafusa@lac/hc.co.jp) [www.haradacorp.co.jp](http://www.haradacorp.co.jp)