

# Invacare® OptiCharge

24V 8A / 10A



en	Lead Acid Battery Charger User Manual .....	3
cs	Nabíječka olověné baterie Návod k obsluze .....	17
It	Švino rūgšties akumulatoriaus įkroviklis Naudojimosi instrukcija .....	31
pl	Ładowarka akumulatorów kwasowo-ołowiowych Instrukcja obsługi .....	45
sl	Polnilnik za svinčevno-kislinski akumulator Navodilo za uporabo .....	61

This manual **MUST** be given to the user of the product.  
BEFORE using this product, this manual **MUST** be read and saved for  
future reference.



**Yes, you can.®**

© 2022 Invacare Corporation

All rights reserved. Reproduction, duplication or modification in whole or in part is prohibited without prior written permission from Invacare. Trademarks are identified by ™ and ®. All trademarks are owned by or licensed to Invacare Corporation or its subsidiaries unless otherwise noted.

---

# Contents

---

This manual MUST be given to the user of the product.  
BEFORE using this product, this manual MUST be read and saved  
for future reference.

<b>1 General</b>	<b>4</b>
1.1 Introduction	4
1.2 Symbols in This Manual	4
1.3 Warranty Information	5
1.4 Standards and regulations	5
1.5 Intended use	5
1.6 Service Life	5
1.7 Scope Of Delivery	6
<b>2 Safety</b>	<b>7</b>
2.1 Safety information	7
2.2 Labels and symbols on the product	8
<b>3 Setup</b>	<b>10</b>
3.1 Installing Battery Charger	10
<b>4 Usage</b>	<b>12</b>
4.1 Safety information	12
4.2 Using The Battery Charger	13
<b>5 Technical Data</b>	<b>14</b>
5.1 General data	14
5.2 Environmental Parameters	15

# 1 General

## 1.1 Introduction

This user manual contains important information about the handling of the product. To ensure safety when using the product, read the user manual carefully and follow the safety instructions.

Only use this product if you have read and understood this manual. Seek additional advice from a healthcare professional who is familiar with your medical condition and clarify any questions regarding the correct use and necessary adjustment with the healthcare professional.

Note that there may be sections in this document, which are not relevant to your product, since this document applies to all available models (on the date of printing). If not otherwise stated, each section in this document refers to all models of the product.

The models and configurations available in your country can be found in the country-specific sales documents.

Invacare reserves the right to alter product specifications without further notice.

Before reading this document, make sure you have the latest version. You find the latest version as a PDF on the Invacare website.

If you find that the font size in the printed document is difficult to read, you can download the PDF version from the website. The PDF can then be scaled on screen to a font size that is more comfortable for you.

For more information about the product, for example product safety notices and product recalls, contact your Invacare distributor. See addresses at the end of this document.

In case of a serious incident with the product, you should inform the manufacturer and the competent authority in your country.

## 1.2 Symbols in This Manual

Symbols and signal words are used in this manual and apply to hazards or unsafe practices which could result in personal injury or property damage. See the information below for definitions of the signal words.



### WARNING

Indicates a hazardous situation that could result in serious injury or death if it is not avoided.



### CAUTION

Indicates a hazardous situation that could result in minor or slight injury if it is not avoided.



### NOTICE

Indicates a hazardous situation that could result in damage to property if it is not avoided.



### Tips

Gives useful tips, recommendations and information for efficient, trouble-free use.



### Tools

Identifies required tools, components and items which are needed to carry out certain work.

## Other Symbols



UK Responsible Person  
Indicates if a product is not manufactured in the UK.



Triman  
Indicates recycling and sorting rules (only relevant for France).

## 1.3 Warranty Information

We provide a manufacturer's warranty for the product in accordance with our General Terms and Conditions of Business in the respective countries.

Warranty claims can only be made through the provider from whom the product was obtained.

## 1.4 Standards and regulations

Quality is of the utmost importance for our company; all processes are based on the ISO 9001.

This product features the CE mark and UKCA mark, in compliance with the Low Voltage Directive 2014/35/EU and the EMC Directive 2014/30/EU.

The product meets the requirements of the standards IEC 60335 (Household and similar electrical appliances - Safety), EN ISO 12184 (Electrically powered wheelchairs, scooters and their chargers - Requirements and test methods), ISO 7176-14 (Power and control systems for electric wheelchairs - Requirements and test methods), ISO 7176-25 (Batteries and chargers for powered wheelchairs - Requirements and test methods).

Invacare is continuously working towards ensuring that the company's impact on the environment, locally and globally, is reduced to a minimum.

- We comply with the current environmental legislation (e.g. WEEE and RoHS directives).
- We only use REACH compliant materials and components.

For further information, contact Invacare in your country (for addresses, see back page of this manual).

## 1.5 Intended use

This Invacare off-board battery charger is intended to be used indoors with a 220–240 V AC / 50–60 Hz mains supply for charging gel or AGM rechargeable batteries. Any other use is prohibited.

## 1.6 Service Life

We estimate a service life of five years for this product, provided it is used in strict accordance with the intended use as set out in this document and all maintenance and service requirements are met. The estimated service life can be exceeded if the product is carefully used and properly maintained, and provided technical and scientific advances do not result in technical limitations. The service life can also be considerably reduced by extreme or incorrect usage. The fact that we estimate a service life for this product does not constitute an additional warranty.

## 1.7 Scope Of Delivery



Pos.	Designation	Qty.
Ⓕ	Table mounting collared screws	2
Ⓖ	User manual	1
	Drilling template (included at the end of this manual)	1

The mains power cord and the charging cable are permanently installed in the housing.

Pos.	Designation	Qty.
Ⓐ	Battery charger 8 A fitted with Europlug (CEE 7/16)	1
Variants:	Battery charger 10 A fitted with Europlug (CEE 7/16)	
	Battery charger 8 A fitted with UK plug (BS 1363)	
	Battery charger 10 A fitted with UK plug (BS 1363)	
Ⓑ	Holder for XLR plug	1
Ⓒ	Screw for Holder for XLR plug	1
Ⓓ	Wall mounting screws	2
Ⓔ	Wall mounting plugs	2

## 2 Safety

### 2.1 Safety information

**WARNING!**

- Do not use this product without first completely reading and understanding these instructions. Invacare product manuals are available on the internet or at your local provider (addresses are displayed on the back cover of this manual).
- If you are unable to understand the warnings, cautions or instructions, contact a healthcare professional, provider or technical personnel before attempting to use this equipment – otherwise, injury or damage may occur.

**WARNING!****Risk of explosion and destruction of batteries if the wrong battery charger is used**

- Only ever use the battery charger supplied with your mobility device, or a charger that has been approved by Invacare.

**WARNING!****Risk of injury if using the mobility device during charging**

- DO NOT attempt to recharge the batteries and operate the mobility device at the same time.
- DO NOT sit in the mobility device while charging the batteries.

**WARNING!****Risk of electric shock and damage to the batteries**

- NEVER attempt to recharge the batteries by attaching cables directly to the battery terminals.

**WARNING!****Risk of short circuit and electric shock if the battery charger has been damaged**

- Do not use the battery charger if it has been dropped or damaged.

**WARNING!****Risk of injury**

- Do not use if defective.
- In the event of a malfunction, contact your provider immediately.
- Do not make any unauthorized changes or alterations to the product.
- Only use the charger indoors.
- Do not mount the battery charger directly onto a mobility device.

**WARNING!**

This device is not intended to be used by persons (including children) with reduced physical, sensory or mental capabilities, or lack of experience and knowledge, unless they have been given supervision or instruction concerning use of the appliance by a person responsible for their safety.

**WARNING!**

This device may be used by children over 8 years of age and over, as well as by persons with reduced physical, sensory or mental abilities, or lack of experience and knowledge when supervised or instructed regarding the safe use of the device and the resulting dangers.

- Children must not play with the product.
- Cleaning and user maintenance must not be carried out by children without supervision.

**WARNING!**

– Users and suppliers of Assistive Mobility products should give consideration to the possibility of a failure to operate, or an incorrect operation, by the product. Should a user be left with limited or no mobility due to an equipment failure, they should still be able to summon assistance from where ever they may be.

- Charge only Gel and AGM type rechargeable batteries. Other types of batteries may burst, under charge or be damaged over time. Do not recharge non-rechargeable batteries.
- To prevent electrical shock, do not touch uninsulated parts of the charger like DC output connectors.
- The battery charger should be regularly checked for any damage or loose, damaged or corroded connectors, leads or terminals. If any of these situations occur, DO NOT attempt to operate but contact your provider immediately.

**WARNING!**

- Use charger only with batteries of the size and type for which the charger is designed.
- Do not use the charger for any purpose other than charging batteries of mobility devices through the charger socket provided on the mobility device.
- Do not operate the charger on its side or with the cooling vents obstructed.
- Do not cover the charger.
- This is a mains operated product and normal cautions should be observed.

**NOTICE!**

- The information contained in this document is subject to change without notice.
- Check all parts for shipping damage and other damage or other conspicuous features.

## 2.2 Labels and symbols on the product

### Identification label

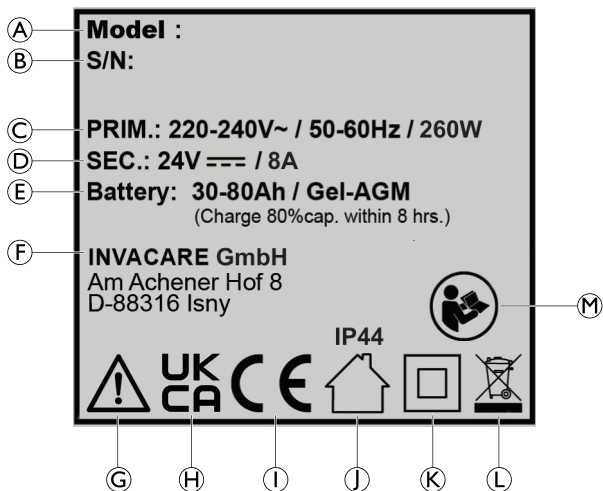


The identification label is located on the backside of the product.



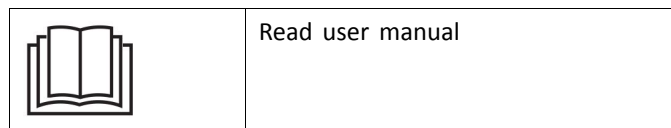
Identification label of 8 A charger shown as an example. The values might differ for other models such as a 10 A charger.





(A)	Model number
(B)	Serial device number
(C)	Power indication
(D)	Current indication
(E)	Permitted types of batteries
(F)	Manufacturer
(G)	Warning symbol
(H)	UK Conformity Assessed
(I)	Conformity mark (CE)

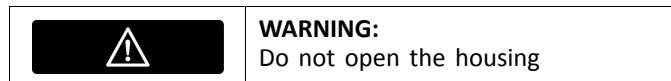
(J)	Indoor use only / Type of protection
(K)	Class II protection class
(L)	WEEE conform
(M)	Refer to user manual



### Warning label



The Warning label is located on the bottom of the product.



## 3 Setup

### 3.1 Installing Battery Charger

The battery charger can be placed on its rubber feet on a horizontal surface or be mounted to the floor or to the wall.



#### WARNING!

- Make sure that no wires, pipes or other utility connections will be pierced when drilling in the mounting surface.
- Make sure that the mounting surface is suitable for drilling.

#### Installing Holder For XLR Plug



- TX20 Torx key



Fig. 3-1

1. Mount holder **B** to the housing using screw **C**.

#### Installing To Table



- Centre punch
- (Cordless) screwdriver, 5 mm drill bit, 5 mm Phillips screw insert
- Drilling template (See end of this document)

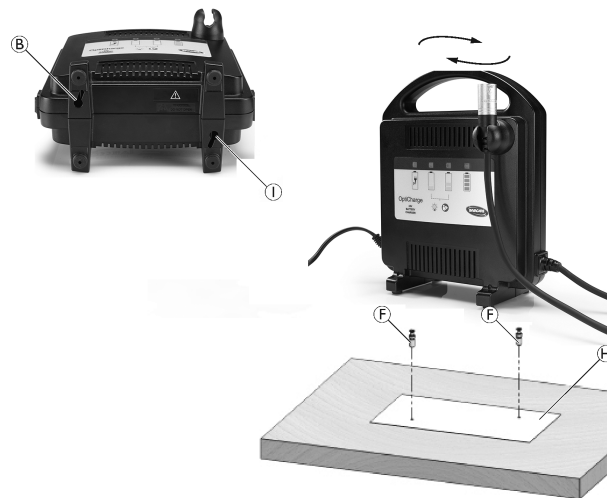


Fig. 3-2



#### NOTICE!

- The drilling template is only valid when printed in the original file size at 100% scale.
- Check the drilling template for correct dimensions.
  - If necessary, create your own drilling template with the given dimensions.

1. Place the drilling template  $\text{H}$  on the table and hold it in place.
2. Using a centre punch, mark the two drill holes indicated by the template.
3. Drill the two holes with a depth of 12 mm into the table using a suitable 5 mm drill bit.
4. Screw the two collared screws  $\text{F}$  (included in mounting kit) into the holes until they meet resistance.
5. Place the battery charger on the table by aligning holes  $\text{I}$  with the protruding screws.
6. Slightly turn the battery charger clockwise to lock it in place.

### Installing To Wall



- Centre punch
- (Cordless) Screwdriver, 6 mm drill bit, 4 mm Phillips screw insert
- Pocket rule (or similar)

1. Using a centre punch, mark the two drill holes at the wall where you want to mount the charger.



The distance between the two holes must be 120 mm.

2. Drill the two holes into the wall using a suitable 6 mm drill bit.
3. Place a wall-plug  $\text{E}$  (included in mounting kit) into each hole.
4. Screw two screws  $\text{D}$  (included in mounting kit) into the holes while leaving 10 mm of the screws protruding.
5. Place the battery charger to the wall by aligning holes  $\text{I}$  with the protruding screws.

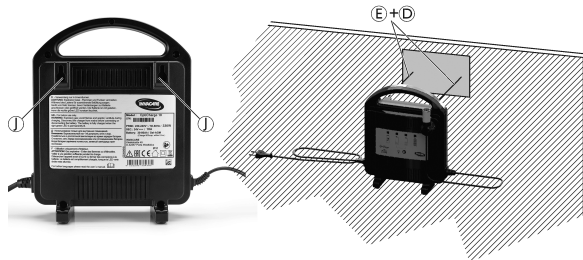


Fig. 3-3

## 4 Usage

### 4.1 Safety information

**WARNING!**

- Circuit breaker or fuse protection in the AC power outlet to which the charger is to be plugged should be rated at 5 Amps per charger. A delay-action fuse is recommended.
- Do not overload electrical outlets.
- Avoid use of an extension cord. Use of an improper extension cord could result in the risk of fire and electric shock. If an extension cord is necessary, ensure a 5 Amp current rating or greater and that it is in a good condition and as short as possible. If an extension cord is used, it should be used in accordance with the extension cord manufacturers' instructions.
- Use compatible extension cord connectors on the battery charger connector.
- Situate all cords in such positions as to eliminate the likelihood of being stepped on, tripped over or otherwise subjected to damage or stress.
- Do not operate the charger if the power cord is damaged. Contact a provider immediately.
- Do not operate the charger if it has suffered a sharp blow or is damaged in any other manner. Contact a provider immediately.
- Do not charge individual 12 volt batteries.

**WARNING!**

- Use only with a 220 - 240 V AC / 50 - 60 Hz mains supply.

**WARNING!**

- Keep charger protected from rain and moisture. In the event of water or other fluid entering the unit, switch unit off at the mains supply and unplug from the power supply and wheelchair immediately. Contact your provider.

**WARNING!**

- Do not attempt to open the case. There is a risk of electric shock, even if the unit is unplugged. There are no fuses or user-serviceable parts inside.
- Do not insert objects through the cooling slots.

**WARNING!**

- Explosive gases may be vented from the batteries during the normal operation of battery chargers.
- Do not smoke or expose naked flame in the vicinity of the charger.
- Only use charger in a ventilated area.

## 4.2 Using The Battery Charger



### CAUTION!

#### Risk of injury from hot surfaces

The XLR plug can become very hot during charging.

- Do not touch XLR plug during charging.
- Do not remove XLR plug until mobility device is fully charged.
- Remove mains lead from power socket and wait until XLR plug cooled down.

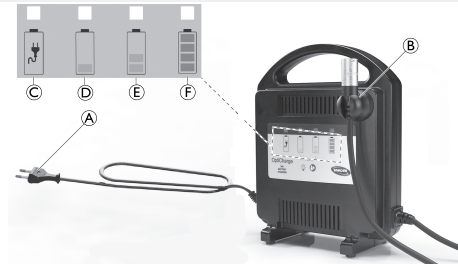


Fig. 4-1

1. Switch OFF mobility device.
2. Connect XLR plug **B** to mobility device to be charged.
3. Connect the mains lead **A** to a suitable power socket. Battery level indicator LEDs **D**/**E**/**F** flash once. Power LED **C** illuminates green. This indicates that battery is correctly connected and is charging.
4. When charging is complete first disconnect mains lead from power socket and then XLR plug from mobility device.

## LED Indication



### NOTICE!

- Batteries repeatedly charged to and used at partly charged level will suffer a greatly reduced battery life.
- While connected to a charger the state of charge should be read solely from the battery charger indicators and not from the mobility device.

“Battery Discharged” LED **D** illuminates yellow when the battery is discharged and charging is in progress. A battery with a low charge state should recharge in approximately 12 hours. Smaller or partly charged batteries will take proportionally less time to become fully charged.

“Battery Partly Charged” LED **E** illuminates yellow in addition when the battery is partly charged (> 50 %). A mobility device with batteries at this charge level or below must be used in emergency situations only.

“Battery Fully Charged” LED **F** illuminates green in addition (all LEDs are on) when the battery is fully charged.

When LEDs **D** and **E** are flashing an error has occurred:

- Check for correct connection
- Contact your local provider

## 5 Technical Data

### 5.1 General data

Electrical data	
Output current	8 A / 10 A $\pm$ 8 %
Output voltage	24 V DC nominal (12 cells)
Mains input nominal voltage range	220 – 240 V AC, 50 – 60 Hz
Input voltage tolerance range	198 – 264 V AC, 47 – 63 Hz
Max. output power	240 W (8 A) 300 W (10 A)
Degree of protection	IP31 <sup>1</sup> / IP44 <sup>2</sup> (see label on product)
Insulation class	Class II
Temperature compensation of charge voltage	-3 mV / °C per cell
Efficiency (at 100 % load, input 230 V AC / output 28.8 V DC)	> 90 %

Approved battery capacity range at 8 A	(C <sub>20</sub> -capacity) 30 Ah – 80 Ah (C <sub>5</sub> -capacity) 26 Ah – 68 Ah
Approved battery capacity range at 10 A	(C <sub>20</sub> -capacity) 30 Ah – 100 Ah. (C <sub>5</sub> -capacity) 26 Ah – 85 Ah.
Dielectric withstanding voltage	3750 V AC, 50 Hz
Approved battery types	Lead acid (Gel / AGM) 24 V DC (2 x 12 V)
Cooling	Convection cooling / fanless operation
Plug fuse (UK only)	5 A or 10 A (as indicated on plug)

#### Dimension, weight, material

Housing width	206 mm
Housing height	251 mm
Housing depth	109 mm
Power cord length	1800 mm
Charging cable (XLR) length	2000 mm

1. IP31 classification means that the charger is protected against dripping water and ingress of solid foreign objects greater than 2.5 mm
2. IP44 classification means that the charger is protected against spray water and ingress of solid foreign object greater than 1 mm.

Product weight	1.4 kg
Housing material	PC / ABS

If in doubt, contact your provider or supplier.

## 5.2 Environmental Parameters

<b>Operating conditions</b>	
Ambient temperature	-5 °C – +40 °C
Relative humidity	10 % – 90 %, non-condensing
<b>Storage and shipping conditions</b>	
Ambient temperature	-40 °C – +65 °C





---

# Obsah

---

Tento návod k použití MUSÍ být poskytnut každému uživateli tohoto výrobku. PED použitím výrobku si návod prostudujte a poté ho uschovejte pro budoucí použití.

<b>1 Všeobecně</b>	<b>18</b>
1.1 Úvod	18
1.2 Symboly použité v tomto návodu	18
1.3 Informace o záruce	19
1.4 Normy a předpisy	19
1.5 Účel použití	19
1.6 Životnost	19
1.7 Obsah dodávky	20
<b>2 Bezpečnost</b>	<b>21</b>
2.1 Bezpečnostní informace	21
2.2 Štítky a symboly na výrobku	23
<b>3 Nastavení</b>	<b>25</b>
3.1 Instalace nabíječky baterie	25
<b>4 Použití</b>	<b>27</b>
4.1 Bezpečnostní informace	27
4.2 Používání nabíječky baterie	28
<b>5 Technické údaje</b>	<b>29</b>
5.1 Všeobecné údaje	29
5.2 Parametry prostředí	30

# 1 Všeobecně

## 1.1 Úvod

V této uživatelské příručce naleznete důležité informace o správném použití tohoto výrobku. Pečlivě si tuto uživatelskou příručku přečtěte a dodržujte veškeré bezpečnostní pokyny, aby byla při používání tohoto výrobku zajištěna bezpečnost.

Pamatujte, že některé části tohoto dokumentu se nemusí na vztahovat na váš výrobek, neboť tato příručka platí pro všechny dostupné modely vyráběné v době jejího tisku. Není-li uvedeno jinak, jednotlivé části tohoto dokumentu se týkají všech modelů výrobku.

Modely a konfigurace dostupné ve vaší zemi najdete v lokální prodejní dokumentaci.

Společnost Invacare si vyhrazuje právo změnit specifikace produktu bez dalšího upozornění.

Než začnete tento dokument číst, zkontrolujte, že se jedná o její nejnovější verzi. Nejnovější verzi naleznete ve formátu PDF na webových stránkách společnosti Invacare.

Pokud je pro vás velikost písma v tištěné verzi dokumentu hůře čitelná, můžete si ji z webu stáhnout ve formátu PDF. Stažený soubor si můžete na obrazovce přiblížit tak, aby byl pro vás lépe čitelný.

Další informace o výrobku, např. bezpečnostní údaje o výrobku, informace o stažení výrobků apod., vám poskytne prodejce nebo zástupce společnosti Invacare. Adresy jsou uvedeny na konci tohoto dokumentu.

V případě vážného incidentu souvisejícího s produktem informujte výrobce a příslušný orgán ve vaší zemi.

## 1.2 Symboly použité v tomto návodu

V tomto návodu jsou použity symboly a signální slova k označení nebezpečných situací nebo postupů, které by mohly zapříčinit úraz osob nebo škodu na majetku. Definice těchto signálních slov jsou uvedeny níže.



### VAROVÁNÍ

Označuje nebezpečnou situaci, v jejímž důsledku by mohlo dojít k vážnému poranění nebo usmrcení.



### VÝSTRAHA

Označuje nebezpečnou situaci, v jejímž důsledku by mohlo dojít k drobnému či méně závažnému poranění.



### UPOZORNĚNÍ

Označuje nebezpečnou situaci, v jejímž důsledku by mohlo dojít k poškození majetku.



### Tipy

Poskytuje užitečné rady a doporučení pro účelné a bezproblémové používání výrobku.



### Nástroje

Označuje potřebné nástroje, součásti a položky, které jsou nutné k provedení určité pracovní činnosti.

## Další symboly



Odpovědná osoba ve Spojeném království  
Značí, že se výrobek nevyrábí ve Spojeném království.



Triman  
Označuje předpisy pro recyklaci a třídění (platí pouze ve Francii).

### 1.3 Informace o záruce

Poskytujeme záruku výrobce na výrobek v souladu s našimi všeobecnými obchodními podmínkami platnými v jednotlivých zemích.

Záruční reklamace lze uplatňovat pouze prostřednictvím poskytovatele, od něhož byl výrobek zakoupen.

### 1.4 Normy a předpisy

Kvalita je pro naši společnost velice důležitá; všechny procesy podléhají certifikaci ISO 9001.

Tento výrobek nese označení CE a UKCA v souladu se směrnicí 2014/35/EU o nízkém napětí a směrnicí 2014/30/EU o elektromagnetické kompatibilitě.

Výrobek splňuje požadavky norem IEC 60335 (Elektrické spotřebiče pro domácnost a podobné účely – Bezpečnost), EN ISO 12184 (Elektricky poháněné vozíky, skútry a jejich nabíjecí zařízení – Požadavky a metody zkoušení), ISO 7176-14 (Napájecí a ovládací systémy pro elektricky poháněné vozíky – Požadavky a metody zkoušení) a ISO 7176-25 (Baterie a nabíjecí zařízení pro elektricky poháněné vozíky – Požadavky a metody zkoušení).

Společnost Invacare se neustále snaží snižovat svůj dopad na životní prostředí – lokálně i globálně.

- Dodržujeme požadavky platných předpisů o ochraně životního prostředí (např. směrnic WEEE a RoHS).
- Používáme pouze materiály a součásti, které odpovídají požadavkům směrnice REACH.

Další informace získáte od zástupce společnosti Invacare ve vaší zemi (adresy jsou uvedeny na poslední straně tohoto návodu).

### 1.5 Účel použití

Tato externí nabíječka baterií Invacare je určena k použití ve vnitřních prostorách. Podporuje napájení 220–240 V stř. / 50–60 Hz a nabíjí dobíjecí gelové nebo AGM baterie. Jakýkoli jiný způsob použití je zakázán.

### 1.6 Životnost

Náš podnik předpokládá 5letou životnost tohoto produktu, pokud budete produkt používat k určenému účelu a realizovat zadání platná pro údržbu a servis. Tato životnost může být dokonce i překročena, budete-li výrobek správně používat a manipulovat s ním, provádět jeho údržbu a ošetřování, podle dalšího vývoje vědy a techniky neexistují žádné technické meze. Životnost se ale také může výrazně zkrátit při používání v extrémních podmínkách a při neodborném používání. Proto životnost, kterou uvádí náš podnik, nepředstavuje žádnou dodatečnou záruku.

## 1.7 Obsah dodávky



Poz.	Popis	Množs- tví
Ⓔ	Hmoždinky pro upevnění na stěně	2
Ⓕ	Šrouby s krčkem pro upevnění na stole	2
Ⓖ	Návod k použití	1
	Šablona pro vrtání (uvedena na konci tohoto návodu)	1

Napájecí kabel a nabíjecí kabel jsou nedílnými součástmi krytu a nelze je odpojit.

Poz.	Popis	Množs- tví	
Ⓐ	8A nabíječka baterií s evropskou zástrčkou (CEE 7/16)	1	
Vari- anty:	10A nabíječka baterií s evropskou zástrčkou (CEE 7/16) 8A nabíječka baterií s britskou zástrčkou (BS 1363) 10A nabíječka baterií s britskou zástrčkou (BS 1363)		
Ⓑ	Držák pro vidlici XLR		1
Ⓒ	Šroub k držáku pro vidlici XLR		1
Ⓓ	Šrouby pro upevnění na stěně	2	

## 2 Bezpečnost

### 2.1 Bezpečnostní informace



#### **VAROVÁNÍ!**

- Nepoužívejte tento výrobek, dokud si zcela nepřčtete související pokyny a nebudete jim plně rozumět. Produktové příručky společnosti Invacare jsou k dispozici na internetu nebo u místního dodavatele (adresy jsou uvedeny na zadní straně tohoto návodu).
- Nebudou-li pro vás varování, upozornění nebo pokyny srozumitelné, obraťte se na profesionálního zdravotníka, dodavatele nebo odborného technika dříve, než se pokusíte výrobek použít – v opačném případě může dojít k úrazu nebo ke vzniku škody.



#### **VAROVÁNÍ!**

##### **V případě použití nesprávné nabíječky hrozí nebezpečí výbuchu a zničení baterií**

- Používejte výhradně nabíječku dodanou s invalidním vozíkem nebo schválenou společností Invacare.



#### **VAROVÁNÍ!**

##### **Při používání invalidního vozíku během nabíjení hrozí nebezpečí úrazu**

- Když nabíjíte baterie, invalidní vozík **NEPOUŽÍVEJTE**.
- Při dobíjení baterií v invalidním vozíku **NESEĎTE**.



#### **VAROVÁNÍ!**

##### **Hrozí nebezpečí úrazu elektrickým proudem a poškození baterií**

- V **ŽÁDNÉM PŘÍPADĚ** nenabíjejte baterie připojením kabelů přímo k jejich pólům



#### **VAROVÁNÍ!**

##### **V případě, že je nabíječka poškozená, hrozí nebezpečí zkratu a úrazu elektrickým proudem**

- Nabíječku nepoužívejte, jestliže spadla na zem nebo se jinak poškodila.



#### **VAROVÁNÍ!**

##### **Nebezpečí úrazu**

- Výrobek nepoužívejte, je-li poškozen.
- V případě závady se okamžitě obraťte na příslušného dodavatele.
- Neprovádějte neschválené změny ani úpravy výrobku.
- Nabíječku používejte pouze v interiéru.
- Neumisťujte nabíječku přímo na invalidní vozík.



#### **VAROVÁNÍ!**

Tato jednotka není určena k použití osobami (včetně dětí) se sníženými fyzickými, smyslovými nebo duševními schopnostmi nebo s nedostatkem zkušeností a znalostí, pokud nejsou pod dohledem nebo pokud nebyly o používání spotřebiče poučeny osobou odpovědnou za jejich bezpečnost.



### **VAROVÁNÍ!**

Toto zařízení smí být používáno dětmi staršími 8 let a také osobami se zdravotním, smyslovým nebo mentálním postižením či nedostatkem zkušeností a znalostí, a to pouze pod dohledem nebo po obdržení pokynů k bezpečnému používání zařízení a informací o možných rizicích.

- Tento produkt není hračka pro děti.
- Čištění a uživatelskou údržbu nesmí provádět děti bez dohledu.



### **VAROVÁNÍ!**

- Uživatelé a dodavatelé asistenčních výrobků pro mobilitu by měli vzít v úvahu možnost selhání nebo nesprávného fungování výrobku. Pokud by výrobek selhal a uživatel by se kvůli tomu nemohl pohybovat nebo by se mohl pohybovat jen částečně, měl by si dokázat přivolat pomoc na místo, kde se nachází.
- Nabíjejte pouze dobíjecí gelové a AGM baterie. Ostatní typy baterií mohou vybuchnout, nemusí se nabít úplně nebo se mohou postupně poškodit. Nenabíjejte jednorázové baterie.
- Chcete-li předejít úrazu elektrickým proudem, nedotýkejte se neizolovaných součástí nabíječky, jako jsou např. výstupní stejnosměrné konektory.
- Nabíječku baterie je třeba pravidelně kontrolovat, zda není poškozená nebo zda nemá uvolněné, poškozené či zkorodované konektory, kabely a svorky. Pokud zjistíte některou z takových skutečností, nabíječku nepoužívejte a neprodleně se obraťte na dodavatele.

**VAROVÁNÍ!**

- Pomocí nabíječky nabíjejte pouze baterie o typu a velikosti, pro které je určena.
- Nepoužívejte nabíječku k žádnému jinému účelu než k nabíjení baterií invalidních vozíků, a to prostřednictvím nabíjecí zásuvky na invalidním vozíku.
- Nepoužívejte nabíječku, když je položená na boku nebo když má zakryté chladičí otvory.
- Nepřikrývejte nabíječku.
- Jedná se o výrobek napájený z elektrické sítě, při jehož používání je třeba dodržovat běžná opatření.

**UPOZORNĚNÍ!**

- Informace obsažené v tomto dokumentu podléhají změnám bez předchozího upozornění.
- Zkontrolujte všechny součásti, zda nebyly poškozeny při přepravě či jinak a zda na nich není nic podezřelého.

## 2.2 Štítky a symboly na výrobku

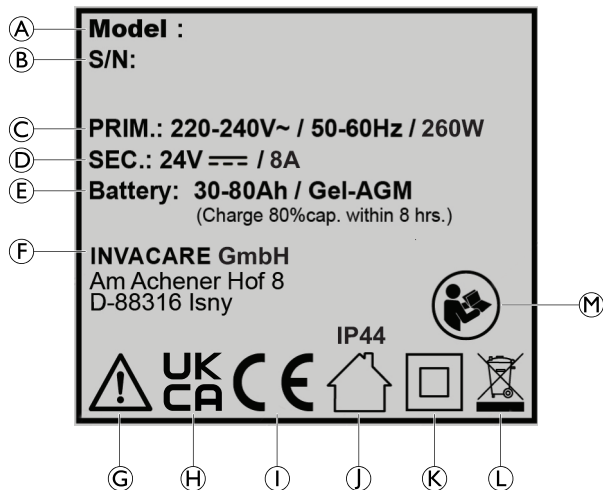
### Identifikační štítek



Identifikační štítek se nachází na zadní straně výrobku.




V příkladu je uveden identifikační štítek 8A nabíječky. U ostatních modelů, například 10A nabíječky, se uvedené hodnoty mohou lišit.





(A)	Číslo modelu
(B)	Sériové číslo zařízení
(C)	Informace o napájení
(D)	Informace o proudu
(E)	Povolené typy baterií
(F)	Výrobce
(G)	Výstražný symbol
(H)	Shoda s předpisy Spojeného království
(I)	Označení shody (CE)

Ⓛ	Pouze k použití v interiéru / stupeň krytí
Ⓚ	II. třída ochrany
Ⓛ	Shoda se směrnicí OEEZ
Ⓜ	Nahlédněte do návodu k použití

	Přečtěte si uživatelskou příručku
--	-----------------------------------

### Výstražný štítek

 Výstražný štítek se nachází na spodní straně výrobku.

	<b>VAROVÁNÍ:</b> Neotevírejte kryt.
---	--



## 3 Nastavení

### 3.1 Instalace nabíječky baterie

Nabíječku baterie je možné umístit na její pryžové nožky na vodorovný povrch nebo připevnit k podlaze či stěně.



#### VAROVÁNÍ!

- Před zahájením vrtání do montážního povrchu se ujistěte, že nehrozí provrtání žádných vodičů, potrubí apod.
- Ověřte, zda je montážní povrch vhodný pro vrtání.

#### Montáž držáku pro vidlici XLR



- Klíč Torx TX20



Fig. 3-1

1. Upevněte držák (B) ke krytu pomocí šroubu (C).

#### Montáž ke stolu



- Důlčík
- (Aku)vrtáčka, 5mm vrták, závitová vložka pro 5mm křížový šroub
- Šablona pro vrtání (viz konec tohoto dokumentu)

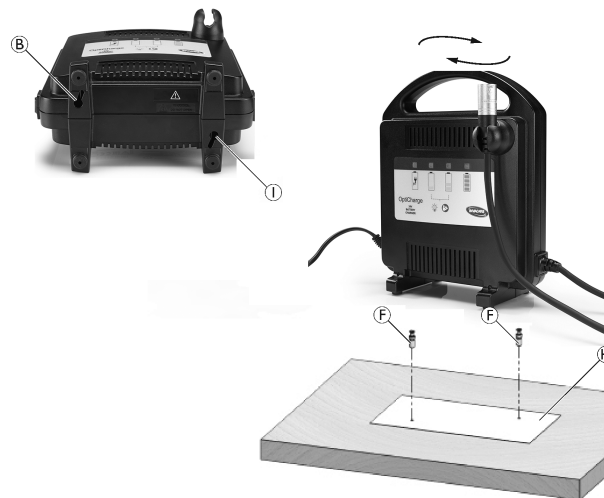


Fig. 3-2

## ! UPOZORNĚNÍ!

Šablonu pro vrtání lze použít pouze v případě, že je vytištěna z původního souboru ve 100% měřítku.

- Zkontrolujte správnost rozměrů šablony pro vrtání.
- V případě potřeby si vytvořte vlastní šablonu pro vrtání o příslušných rozměrech.

1. Umístěte šablonu pro vrtání  $\text{H}$  na stůl a přidržte ji na místě.
2. Podle šablony s využitím dříčičku vyznačte dvě místa pro vyvrtání otvorů.
3. Vyvrtejte do stolu dva otvory o hloubce 12 mm pomocí vhodného 5mm vrtáku.
4. Zašroubujte dva šrouby s krčkem  $\text{F}$  (součást montážního balíčku) do otvorů, dokud se nesetkáte s odporem.
5. Umístěte nabíječku baterie na stůl a zarovnejte její otvory  $\text{I}$  s vystupujícími šrouby.
6. Mírně natočte nabíječku baterie ve směru hodinových ručiček, a tím ji zajistěte na místě.

### Montáž na zeď



- Dříčičk
- (Aku)vrtačka, 6mm vrták, závitová vložka pro 4mm křížový šroub
- Kapesní skládací metr (nebo podobný)

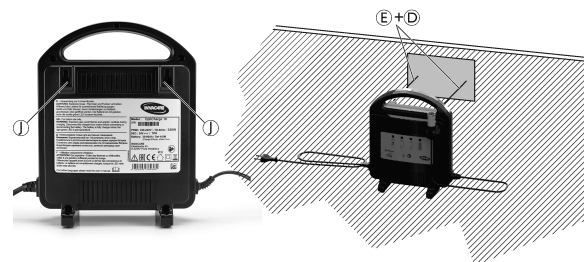


Fig. 3-3

1. Pomocí dříčičku vyznačte na stěně místa pro vyvrtání dvou otvorů, kam chcete nabíječku upevnit.



Mezi oběma otvory musí být vzdálenost 120 mm.

2. Vyvrtejte do stěny dva otvory pomocí vhodného 6mm vrtáku.
3. Zasuňte do obou otvorů hmoždinku  $\text{E}$  (součást montážního balíčku).
4. Zašroubujte do otvorů dva šrouby  $\text{D}$  (součást montážního balíčku), které nechejte 10 mm vyčnívat.
5. Umístěte nabíječku baterie na stěnu a zarovnejte její otvory  $\text{I}$  s vystupujícími šrouby.

## 4 Použití

### 4.1 Bezpečnostní informace



#### VAROVÁNÍ!

- Jistič nebo pojistka pro elektrickou zásuvku, ke které má být nabíječka připojena, by měly být na každou nabíječku alespoň 5ampérové. Doporučujeme použít zpožděnou pojistku.
- Nepřetěžujte elektrické zásuvky.
- Nepoužívejte prodlužovací kabel. Při použití nevhodného prodlužovacího kabelu hrozí nebezpečí požáru nebo úrazu elektrickým proudem. Pokud je potřeba prodlužovací kabel, je nutné použít alespoň 5ampérový, který je v dobrém stavu. Zároveň by měl být co nejkratší. Prodlužovací kabel by měl být používán v souladu s pokyny jeho výrobce.
- Ke konektoru nabíječky baterií připojujte pouze kompatibilní konektory prodlužovacího kabelu.
- Všechny kabely umístěte tak, aby na ně nikdo nešlápl, aby o ně nikdo nezakopl a aby nebyly nijak poškozeny nebo namáhány.
- Nabíječku nepoužívejte, pokud je napájecí kabel poškozený. Neprodleně se obraťte na dodavatele.
- Nepoužívejte nabíječku, pokud utrpěla prudký náraz nebo byla poškozena jiným způsobem. Neprodleně se obraťte na dodavatele.
- Nenabíjejte 12voltové baterie jednotlivě.



#### VAROVÁNÍ!

- K napájení používejte pouze 220–240 V stř. / 50–60 Hz.



#### VAROVÁNÍ!

- Chraňte nabíječku před deštěm a vlhkem. V případě, že do ní pronikne voda nebo jiná kapalina, okamžitě vypněte její napájení a odpojte napájecí kabel i invalidní vozík. Obratě se na dodavatele.



#### VAROVÁNÍ!

- Nepokoušejte se otevřít kryt. I ve chvílích, kdy je přístroj odpojen od napájení, hrozí nebezpečí úrazu elektrickým proudem. Uvnitř se nenachází žádné pojistky ani uživatelem opravitelné části.
- Nezasouvejte do chladicích otvorů žádné předměty.



#### VAROVÁNÍ!

- Při běžném používání nabíječky baterií mohou z baterie vycházet výbušné plyny.
- V okolí nabíječky nekuřte ani nepoužívejte otevřený oheň.
- Používejte nabíječku pouze ve větraných prostorech.

## 4.2 Používání nabíječky baterie



### UPOZORNĚNÍ!

#### Nebezpečí poranění horkými povrchy

Elektrická vidlice XLR se během nabíjení může stát velmi horkou.

- Během nabíjení se vidlice XLR nedotýkejte.
- Nevytahujte vidlici XLR, dokud není invalidní vozík plně nabit.
- Vyjměte síťový kabel z elektrické zásuvky a počkejte, dokud vidlice XLR nevychladne.

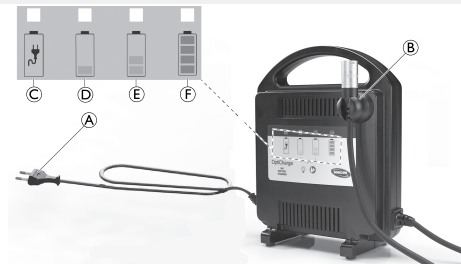


Fig. 4-1

1. Vypněte invalidní vozík.
2. Pro nabití připojte vidlici XLR k invalidnímu vozíku.
3. Připojte síťový kabel **A** ke vhodné elektrické zásuvce. LED indikátor stavu nabití akumulátoru **D**/**E**/**F** jednou blikne. LED napájení **C** svítí zeleně. To znamená, že je baterie správně připojena a nabíjí se.
4. Po dokončení nabíjení nejprve odpojte síťový kabel od elektrické zásuvky a poté vidlici XLR od invalidního vozíku.

## Indikace pomocí kontrolky LED



### UPOZORNĚNÍ!

- Životnost baterií, které jsou opakovaně nabíjeny jen částečně a následně používány, je výrazně kratší.
- Během připojení k nabíječce je třeba určovat úroveň nabití baterie výhradně podle kontrolky na nabíječce baterie a nikoli podle ukazatele na ovládání invalidního vozíku.

„LED vybití akumulátoru“ **D** svítí žlutě, když je akumulátor vybitý a probíhá jeho nabíjení. Nabíjení skoro úplně vybité baterie trvá přibližně 12 hodin. Nabíjení částečně nabitých baterií trvá úměrně kratší dobu.

„LED částečně vybitého akumulátoru“ **E** se navíc rozsvítí žlutě, když je akumulátor částečně nabitý (>50 %). Invalidní vozík s bateriemi nabitými na tuto nebo menší úroveň smí být používán pouze v nouzových situacích.

„LED plně nabitého akumulátoru“ **F** se navíc rozsvítí zeleně (všechny LED svítí), je-li akumulátor zcela nabitý.

Pokud kontrolky LED **D** a **E** blikají, došlo k chybě:

- Zkontrolujte správnost připojení.
- Obráťte se na místního dodavatele.

## 5 Technické Údaje

### 5.1 Všeobecné údaje

Elektrické údaje	
Výstupní proud	8 A / 10 A ± 8 %
Výstupní napětí	24 V ss. (12článeková baterie)
Rozsah jmenovitého napětí napájení z elektrické zásuvky	220–240 V stř., 50–60 Hz
Přípustná amplituda vstupního napětí	198–264 V stř., 47–63 Hz
Max. výstupní výkon	240 W (8 A) 300 W (10 A)
Stupeň krytí	IP31 <sup>3</sup> / IP44 <sup>4</sup> (vizte štítky na výrobku)
Třída izolace	Třída II
Teplotní kompenzace nabíjecího napětí	–3 mV / °C na článek
Účinnost (při 100% zatížení, vstup 230 V stř. / výstup 28,8 V ss.)	> 90 %

Schválený rozsah kapacit baterie při proudu 8 A	(C <sub>20</sub> – kapacita) 30 Ah – 80 Ah  (C <sub>5</sub> – kapacita) 26 Ah – 68 Ah
Schválený rozsah kapacit baterie při proudu 10 A	(C <sub>20</sub> – kapacita) 30 Ah – 100 Ah.  (C <sub>5</sub> – kapacita) 26 Ah – 85 Ah.
Průrazné napětí dielektrika	3 750 V stř., 50 Hz
Schválené typy baterií	Olověné (gelové/AGM) 24 V DC (2 x 12 V)
Chlazení	Konvekční chlazení / bez ventilátoru
Závitová pojistka (pouze Velká Británie)	5 A nebo 10 A (dle označení na pojistce)

Rozměry, hmotnost, materiál	
Šířka krytu	206 mm
Výška krytu	251 mm
Hloubka krytu	109 mm
Délka napájecího kabelu	1 800 mm

3. Klasifikace IP31 znamená, že nabíječka je odolná proti vodě a průniku cizích pevných těles větších než 2,5 mm.
4. Klasifikace IP44 znamená, že nabíječka je odolná proti rozstříkované vodě a průniku cizího pevného tělesa většího než 1 mm.

Délka nabíjecího kabelu (XLR)	2 000 mm
Hmotnost výrobku	1,4 kg
Materiál krytu	Polykarbonát/ akrylonitrilbutadienstyren

V případě pochybností kontaktujte dodavatele.

## 5.2 Parametry prostředí

<b>Provozní podmínky</b>	
Okolní teplota	-5 °C – +40 °C
Relativní vlhkost	10 % – 90 %, nekondenzující
<b>Podmínky při uskladnění a přepravě</b>	
Okolní teplota	-40 °C – +65 °C

---

# Turinys

---

Šį vadovą PRIVALOMA įteikti šio gaminio naudotojui. PRIEŠ naudodami šį gaminį perskaitykite šį vadovą ir saugokite jį, jei reikės informacijos vėliau.

<b>1 Bendroji informacija</b>	<b>32</b>
1.1 Įvadas	32
1.2 Šiame vadove naudojami simboliai	32
1.3 Garantijos informacija	33
1.4 Standartai ir norminiai aktai	33
1.5 Naudojimo paskirtis	33
1.6 Eksploatacijos trukmė	33
1.7 Tiekiami elementai	34
<b>2 Sauga</b>	<b>35</b>
2.1 Saugos informacija	35
2.2 Ant gaminio esančios etiketės ir simboliai	37
<b>3 Parengimas (ir montavimas)</b>	<b>39</b>
3.1 Akumuliatoriaus įkroviklio sumontavimas	39
<b>4 Naudojimas</b>	<b>41</b>
4.1 Saugos informacija	41
4.2 Akumuliatoriaus įkroviklio naudojimas	42
<b>5 Techniniai Duomenys</b>	<b>43</b>
5.1 Bendrieji duomenys	43
5.2 Aplinkos parametrai	44

# 1 Bendroji informacija

## 1.1 Įvadas

Šiame naudotojo vadove pateikiama svarbi produkto naudojimo informacija. Tam, kad naudojant produktą būtų užtikrinamas saugumas, atidžiai perskaitykite naudotojo vadovą ir laikykitės saugos instrukcijų.

Atkreipkite dėmesį, kad šiame dokumente gali būti skyrių, kurie nesusiję su jūsų produktu, nes šis dokumentas yra taikomas visiems galimiems modeliams (tuo metu, kai jis atspausdintas). Jeigu nenurodyta kitaip, kiekvienas šio dokumento skyrius taikomas visiems produkto modeliams.

Jūsų šalyje prieinamus modelius ir konfigūracijas galite rasti kiekvienai šaliai skirtuose pardavimo dokumentuose.

„Invacare“ pasilieka teisę be išankstinio įspėjimo pakeisti produktų specifikacijas.

Prieš skaitydami šį dokumentą įsitinkinkite, kad turite naujausią jo versiją. Naujausią jo versiją PDF formatu galite rasti „Invacare“ interneto svetainėje.

Jeigu atspausdintą dokumentą sunku skaityti dėl šrifto dydžio, atsisiųskite versiją PDF formatu iš interneto svetainės. Tuomet ekrane galėsite padidinti PDF failo šrifto dydį taip, kad jums būtų patogiau skaityti.

Norėdami gauti daugiau informacijos apie produktą, pvz., įspėjimus apie produkto saugą ir atšauktus produktus, susisiekite su savo „Invacare“ atstovu. Žr. šio dokumento pabaigoje nurodytus adresus.

Jei naudojant produktą įvyksta pavojingas incidentas, praneškite apie tai gamintojui ir kompetentingai institucijai savo šalyje.

## 1.2 Šiame vadove naudojami simboliai

Šiame vadove vartojami simboliai ir įspėjamieji žodžiai, nurodantys pavojų ar nesaugius veiksmus, dėl kurių galima susižaloti arba sugadinti nuosavybę. Įspėjamieji žodžiai aprašyti toliau.



### ĮSPĖJIMAS

Nurodo pavojingą situaciją, kurios neišvengus galima sunki trauma ar net mirtis.



### PERSPĖJIMAS

Nurodo pavojingą situaciją, kurios neišvengus galima nedidelė trauma.



### PASTABA

Nurodo pavojingą situaciją, kurios neišvengus galimas nuosavybės apgadinimas.



### Patarimai

Naudingi patarimai, rekomendacijos ir informacija, kaip efektyviai ir patogiai naudoti gaminį.



### Įrankiai

Nurodomi įrankiai, komponentai ir elementai, kurių reikia norint atlikti tam tikrą darbą.



## Kiti simboliai



JK atsakingas asmuo  
Nurodo, jei produktas nėra pagamintas JK.



Triman  
Nurodo perdirbimo ir rūšiavimo taisykles  
(taikoma tik Prancūzijai).

## 1.3 Garantijos informacija

Produktui suteikiama gamintojo garantija, remiantis atitinkamų šalių bendrosiomis verslo nuostatomis ir sąlygomis.

Garantijos reikalavimus pateikti galima tik per tiekėją, iš kurio įsigytas produktas.

## 1.4 Standartai ir norminiai aktai

Kokybė nepaprastai svarbi mūsų įmonei; visi procesai vykdomi pagal ISO 9001.

Šis gaminys yra pažymėtas CE ženklu ir UKCA ir atitinka žemos įtampos direktyvos 2014/35/ES ir elektromagnetinio suderinamumo direktyvos 2014/30/ES reikalavimus.

Gaminys atitinka standartų IEC 60335 (Buitiniai ir panašūs elektros prietaisai. Sauga), EN ISO 12184 (Elektra varomi vežimėliai, motoroleriai ir jų įkrovikliai. Reikalavimai ir bandymo metodai), ISO 7176-14 (Galia ir valdymas elektrinių vežimėlių sistemos. Reikalavimai ir bandymo metodai) ir ISO 7176-25 (Akumuliatoriai ir įkrovikliai motoriniams vežimėliams. Reikalavimai ir bandymo metodai) reikalavimus.

„Invacare“ nuolat dirba siekdama užtikrinti, kad lokalus ir globalus bendrovės poveikis aplinkai būtų minimalus.

- Mes laikomės galiojančių aplinkos apsaugos įstatymų (pvz., EEJA ir ROHS direktyvų).
- Naudojame tik REACH direktyvą atitinkančias medžiagas ir komponentus.

Jei reikia daugiau informacijos, susisieki su „Invacare“ atstovais savo šalyje (adresus rasite paskutiniame šio vadovo puslapyje).

## 1.5 Naudojimo paskirtis

Šis „Invacare“ neįmontuotas akumuliatoriaus kroviklis yra skirtas naudoti patalpoje, kurioje yra 220–240 V / 50–60 Hz kintamos srovės elektra, geliniams ir AGM pakartotiniai įkraunamiems akumuliatoriams įkrauti. Naudoti kitiems tikslams draudžiama.

## 1.6 Eksploatacijos trukmė

Mūsų įmonė apskaičiavo, kad šio produkto naudojimo trukmė yra penkeri metai, jei jis bus naudojamas pagal paskirtį ir jei bus laikomasi visų priežiūros ir techninio aptarnavimo nuorodų. Naudojimo trukmė gali būti ir ilgesnė, jei produktas bus rūpestingai prižiūrimas ir naudojamas, ir jeigu savaime neatsiras techninių klūčių, toliau vystantis mokslui ir technikai. Tačiau naudojimo trukmė gali iš esmės sutrumpėti, jei vežimėlis bus naudojamas ypač intensyviai arba jei jis bus naudojamas neteisingai. Mūsų įmonės apskaičiuota naudojimo trukmė nesuteikia papildomos garantijos.

## 1.7 Tiekiami elementai



Padėtis	Pavadinimas	Kiekis
Ⓕ	Montavimo prie stalo varžtai su sandarikliais	2
Ⓖ	Naudotojo vadovas	1
	Gręžimo šablonas (pateikiamas šio vadovo pabaigoje)	1

Maitinimo tinklo laidas ir įkrovimo kabelis neatskiriamai pritvirtinti prie korpuso.

Padėtis	Pavadinimas	Kiekis
Ⓐ	Akumuliatoriaus įkroviklis (8 A) su europietišku kištuku (CEE 7/16)	1
Vari-antai:	Akumuliatoriaus įkroviklis (10 A) su europietišku kištuku (CEE 7/16)	
	Akumuliatoriaus įkroviklis (8 A) su JK kištuku (BS 1363)	
	Akumuliatoriaus įkroviklis (10 A) su JK kištuku (BS 1363)	
Ⓑ	XLR kištuko laikiklis	1
Ⓒ	XLR kištuko laikiklio varžtas	1
Ⓓ	Montavimo prie sienos varžtai	2
Ⓔ	Montavimo prie sienos kaiščiai	2

## 2 Sauga

### 2.1 Saugos informacija



#### **DĖMESIO!**

- Nenaudokite šio gaminio, kol pirmiausia neperskaitysite ir neišsiaiškinsite visų šių nurodymų. „Invacare“ gaminių vadovų galima gauti internete arba iš vietinio tiekėjo (adresai pateikti šio vadovo nugarėlėje).
- Jei nesuprantate įspėjimų, perspėjimų ar nurodymų, prieš bandydami naudoti įrangą, kreipkitės į sveikatos priežiūros specialistą, tiekėją arba techninį darbuotoją – antraip galite susižeisti arba sugadinti prietaisą.



#### **DĖMESIO!**

**Naudojant netinkamą akumuliatorių įkroviklį, kyla akumuliatorių sproginimo ir sugadinimo pavojus**

- Naudokite tik su jūsų elektriniu vežimėliu pristatytą akumuliatorių įkroviklį arba „Invacare“ patvirtintą įkroviklį.



#### **DĖMESIO!**

**Pavojus susižaloti, jei elektrinis vežimėlis naudojamas įkraunant**

- NEBANDYKITE vienu metu įkrauti akumuliatoriaus ir naudoti elektrinio vežimėlio.
- NESĖDĖKITE elektriniame vežimėlyje, kai įkraunami akumuliatoriai.



#### **DĖMESIO!**

**Elektros smūgio ir akumuliatorių sugadinimo pavojus**

- NIEKADA nebandykite įkrauti akumuliatoriaus prijungdami kabelius tiesiai prie akumuliatoriaus gnybtų.



#### **DĖMESIO!**

**Trumpojo jungimo ir elektros smūgio pavojus pažeidus akumuliatorių įkroviklį**

- Nenaudokite akumuliatorių įkroviklio, jei jis buvo numestas ar pažeistas.



#### **DĖMESIO!**

**Pavojus susižaloti**

- Nenaudokite, jei gaminys sugadintas.
- Gedimo atveju nedelsdami kreipkitės į tiekėją.
- Be leidimo nekeiskite ir nemodifikuokite gaminio.
- Įkroviklį naudokite tik patalpoje.
- Netvirtinkite akumuliatoriaus įkroviklio tiesiogiai prie elektrinio vežimėlio.



### **DĒMESIO!**

Ši priemonė nėra skirta naudoti asmenims (įskaitant vaikus), kurių fizinės, jutiminės ar protinės galimybės yra ribotos arba kuriems trūksta patirties ir žinių, nebent jie prižiūrimi arba instrukciją, kaip naudoti įrenginį, jiems pateikė asmuo, atsakingas už jų saugumą.



### **DĒMESIO!**

Gaminį gali naudoti vyresni nei 8 metų vaikai, taip pat asmenys, kurių fiziniai, sensoriniai ir protiniai gebėjimai yra sumažėję arba jiems trūksta žinių ir patirties, tik prižiūrimi arba išmokyti saugaus gaminio naudojimo ir su juo susijusių pavojų.

- Neleiskite vaikams žaisti su gaminiu.
- Neprižiūrimi vaikai negali atlikti valymo ir priežiūros.



### **DĒMESIO!**

- Pagalbinės judėjimo įrangos naudotojai ir tiekėjai turi atkreipti dėmesį į galimai netinkamą ar neteisingą gaminio naudojimą. Jei dėl įrangos gedimo naudotojas nebegali judėti arba jo judėjimas yra ribotas, jis turi galėti išsikviesti pagalbą, kad ir kur būtų.
- Kraukite tik gelinius ir AGM tipo daugkartinio naudojimo akumulatorius. Kiti akumulatoriai per laiką gali perdegti, išsikrauti ar sugesti. Nekraukite pakartotinai neįkraunamų akumuliatorių.
- Norėdami išvengti elektros šoko, nelieskite neizoliuotų įkroviklio dalių, pavyzdžiui, nuolatinės srovės išėjimo jungčių.
- Reguliariai tikrinkite, ar nepažeistas ir neatsilaisvinęs akumuliatoriaus įkroviklis ir ar nesugedusios ir korozijos nepažeistos jungtys, laidai ir terminalai. Jeigu tai įvyktų, gaminio **NENAUDOKITE**, o nedelsdami kreipkitės į savo tiekėją.

**DĒMESIO!**

- Ķroviklį naudokite tik tokio dydžio ir tipo akumulatoriams, kuriems jis skirtas.
- Nenaudokite Ķroviklio kitiems tikslams nei elektrinių vežimėlių akumuliatorių krovimas per kroviklio lizdą, esantį elektriniame vežimėlyje.
- Nenaudokite Ķroviklio, jeigu jis guli ant šono arba jeigu jo aušinimo angos uždengtos.
- Neuždenkite Ķroviklio.
- Tai į tinklą jungiamas prietaisas, todėl būtina laikytis įprastų atsargumo priemonių.

**PASTABA!**

Šiame dokumente pateikta informacija gali būti keičiama be įspėjimo.

- Prieš naudodami patikrinkite visas dalis, ar gabenant arba kitaip jos nebuvo pažeistos, ar nėra kitų pastebimų sugadinimo požymių.

## 2.2 Ant gaminio esančios etiketės ir simboliai

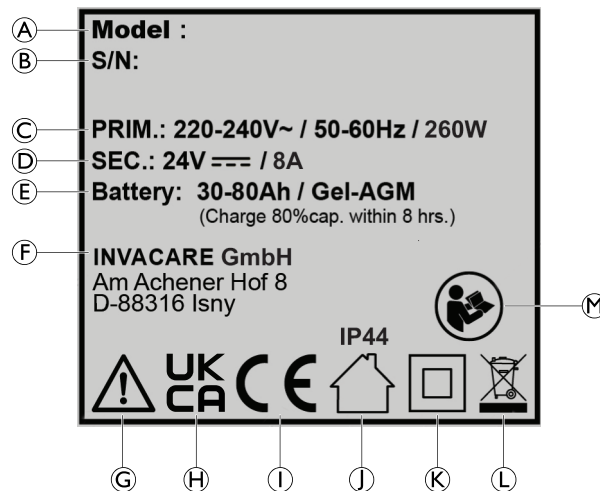
### Identifikavimo etiketė



Identifikavimo etiketė yra ant gaminio galinės dalies.




Kaip pavyzdys pavaizduota 8 A Ķroviklio identifikavimo etiketė. Kitų modelių, pvz., 10 A Ķroviklio, vertės gali skirtis.





(A)	Modelio numeris
(B)	Įrenginio serijos numeris
(C)	Galios indikacija
(D)	Srovės indikacija
(E)	Leidžiami akumuliatorių tipai
(F)	Gamintojas
(G)	Įspėjimo simbolis
(H)	JK atitikties įvertinimas
(I)	Atitikties ženklas (CE)

Ⓛ	Naudoti tik viduje / apsaugos tipas
Ⓚ	II apsaugos klasė
Ⓛ	EEJA atitiktis
Ⓜ	Žr. naudotojo vadovą

	Skaitykite naudotojo vadovą
--	-----------------------------

### Įspėjimo etiketė

 Įspėjimo etiketė yra ant gaminio apatinės dalies.

	<b>ĮSPĖJIMAS:</b> Neatidarykite korpuso.
---	---

### 3 Parengimas (ir montavimas)

#### 3.1 Akumulatoriaus įkroviklio sumontavimas

Akumulatoriaus įkroviklį galima pastatyti ant guminės kojelės ant horizontalaus paviršiaus arba primontuoti prie grindų arba sienos.



#### DĖMESIO!

- Gręždami montuojamą paviršių saugokite, kad nepradurtumėte laidų, vamzdžių ar kitų jungimo elementų.
- Įsitinkinkite, kad montavimo paviršių galima gręžti.

#### XLR kištuko laikiklio montavimas



- TX20 torcinis raktas



Fig. 3-1

1. Pritvirtinkite laikiklį (B) prie korpuso varžtu (C).

#### Montavimas ant stalo



- Kerneris
- (Belaidis) atsuktuvus, 5 mm gręžtuvo grąžtas, 5 mm „Phillips“ varžto tarpas
- Gręžimo šablonas (žr. šio dokumento pabaigoje)

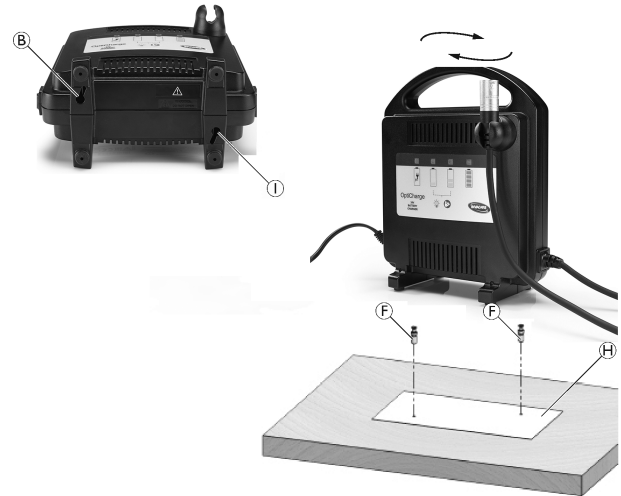


Fig. 3-2



#### PASTABA!

- Gręžimo šablonas tinkamas tik jeigu yra atspausdintas originalaus dydžio 100 % masteliu.
- Patikrinkite, ar gręžimo šablono matmenys tinkami.
- Jeigu reikia, sukurkite savo gręžimo šabloną pagal nurodytus parametrus.

1. Padėkite gręžimo šabloną **(H)** ant stalo ir nejudinkite.
2. Kerneriu pažymėkite dvi gręžimo skylės, nurodytas šablone.
3. Išgręžkite stale dvi 12 mm gylio skylės, naudodami tinkamą 5 mm gręžtuvo grąžtą.
4. Sukite du varžtus su sandarikliais **(F)** (pateikiami montavimo rinkinyje) į skylės, kol pajusite pasipriešinimą.
5. Padėkite akumulatoriaus įkroviklį ant stalo taip, kad skylės **(I)** sutaptų su išsikišusiais varžtais.
6. Švelniai pasukite akumulatoriaus įkroviklį laikrodžio rodyklės kryptimi, kad šis užsifiksuotų.

### Montavimas ant sienos



- Kerneris
- (Belaidis) atsuktuvus, 6 mm gręžtuvo grąžtas, 4 mm „Phillips“ varžto intarpas
- Kišeninė ruletė (ar panašus prietaisas)

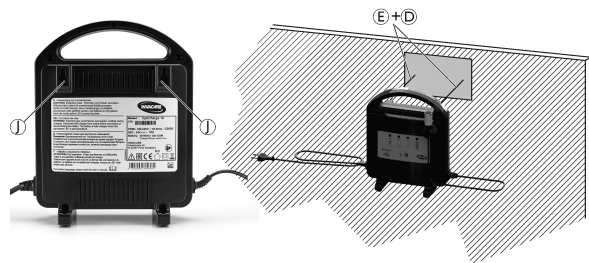


Fig. 3-3

1. Kerneriu pažymėkite dvi gręžimo skylės sienoje, prie kurios tvirtinsite įkroviklį.



Atstumas tarp dviejų skylių turi būti 120 mm.

2. Išgręžkite sienoje dvi skylės, naudodami tinkamą 6 mm gręžtuvo grąžtą.
3. Įkiškite sienos kaiščius **(E)** (pateikiami montavimo rinkinyje) į kiekvieną skylę.
4. Įsukite du varžtus **(D)** (pateikiami montavimo rinkinyje) į skylės taip, kad jie liktų išsikišę maždaug 10 mm.
5. Pritvirtinkite akumulatoriaus įkroviklį prie sienos taip, kad skylės **(I)** sutaptų su išsikišusiais varžtais.



## 4 Naudojimas

### 4.1 Saugos informacija



#### DĖMESIO!

- Grandinės pertraukiklis arba apsauga nuo perdegimo kintamosios srovės lizde, į kurį jungiamas įkroviklis, turi būti 5 Amp vienam įkrovikliui. Rekomenduojamas dėsčius veikimas.
- Neperkraukite elektros lizdų.
- Nenaudokite ilginamųjų laidų. Naudojant netinkamą ilginamąjį laidą, kyla gaisro ir elektros smūgio pavojus. Jei ilginamąjį laidą naudoti būtina, užtikrinkite 5 Amp arba didesnį srovės stiprumą ir įsitikinkite, kad laidas geros būklės ir kaip galima trumpas. Jei naudojate ilginamąjį laidą, jį naudokite pagal jo gamintojo instrukcijas.
- Naudokite su akumulatoriaus įkroviklio jungtimi suderinamas ilginamųjų laidų jungtis.
- Visus laidus išdėstykite taip, kad ant jų nebūtų galima užminti, už jų užkliūti at kitaip juos pažeisti ar paveikti.
- Jeigu pažeistas maitinimo laidas, įkroviklio nenaudokite. Nedelsdami kreipkitės į tiekėją.
- Nenaudokite įkroviklio, jeigu jis patyrė stiprų smūgį ar kitaip buvo pažeistas. Nedelsdami kreipkitės į tiekėją.
- Nekraukite atskirų 12 voltų akumuliatorių.



#### DĖMESIO!

- Naudokite tik esant 220–240 V / 50–60 Hz kintamajai elektros srovei.



#### DĖMESIO!

- Saugokite įkroviklį nuo lietaus ir drėgmės. Jeigu į įtaisą pateko vandens ar kito skysčio, jį išjunkite ir ištraukite iš maitinimo tinklo ir iš vežimėlio. Kreipkitės į tiekėją.



#### DĖMESIO!

- Nebandykite atidaryti korpuso. Net išjungus įtaisą kyla elektros smūgio pavojus. Viduje nėra saugiklių ar naudotojo prižiūrimų dalių.
- Nekiškite daiktų į aušinimo angas.



#### DĖMESIO!

- Normalaus akumulatoriaus įkroviklio veikimo metu iš akumulatoriaus gali išsiskirti degios dujos.
- Nerūkykite ir nedeginkite atviros liepsnos šalia įkroviklio.
- Naudokite įkroviklį tik gerai vėdinamoje vietoje.

## 4.2 Akumulatoriaus įkroviklio naudojimas



### ATSARGIAI!

#### Pavojus susižaloti dėl įkaitusių paviršių

Kraunant XLR kištukas gali labai įkaisti.

- Nelieskite XLR kištuko, kol kraunama.
- Neištraukite XLR kištuko, kol elektrinis vežimėlis nevisiškai įkrautas.
- Ištraukite maitinimo laidą iš maitinimo lizdo ir palaukite, kol XLR kištukas atvės.

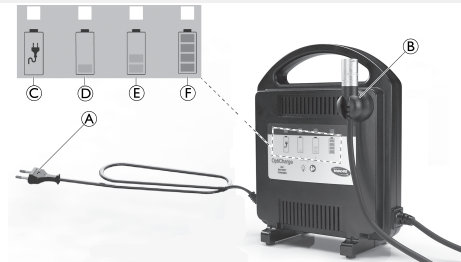


Fig. 4-1

1. IŠJUNKITE elektrinį vežimėlį.
2. Prijunkite XLR kištuką B prie elektrinio vežimėlio, kad jį įkrautumėte.
3. Prijunkite maitinimo laidą A prie tinkamo maitinimo lizdo. Baterijos lygio indikatorius šviesos diodai D / E / F sumirksi vieną kartą. Maitinimo šviesos diodas C šviečia žaliai. Tai rodo, kad akumuliatorius yra tinkamai prijungtas ir kraunamas.
4. Įkrovę, maitinimo laidą pirmiausia ištraukite iš maitinimo lizdo, o tada ištraukite XLR kištuką iš elektrinio vežimėlio.

## LED lempučių reikšmės



### PASTABA!

- Jeigu akumuliatorius pakartotinai ne visiškai įkraunamas ir naudojamas, jo eksploatacijos laikas labai sutrumpėja.
- Prijungus prie įkroviklio, įkrovimo lygis nustatomas tik pagal akumulatoriaus įkroviklio indikatorius, o ne pagal elektrinį vežimėlį.

„Baterija iškrauta“ šviesos diodas D šviečia geltonai, kai baterija iškrauta ir vyksta įkrovimas. Išsikrovęs akumuliatorius turėtų būti įkrautas apytiksliai per 12 valandų. Mažesnis ar ne visai išsikrovęs akumuliatorius visiškai įkraunamas per atitinkamai trumpesnį laiką.

„Baterija iš dalies įkrauta“ šviesos diodas E papildomai šviečia geltonai, kai baterija yra iš dalies (> 50 %) įkrauta. Tiek ar mažiau įkrautą elektrinį vežimėlį su akumuliatoriumi galima naudoti tik kritiniais atvejais.

„Baterija visiškai įkrauta“ šviesos diodas F papildomai šviečia žaliai (visi šviesos diodai įjungti), kai baterija visiškai įkrauta.

Jei LED lemputės D ir E mirksi, įvyko klaida:

- Patikrinkite, ar sujungta tinkamai.
- Kreipkitės į vietinį tiekėją.

## 5 Techniniai Duomenys

### 5.1 Bendrieji duomenys

Elektros sistemos duomenys	
Išėjimo srovė	8 A / 10 A ± 8 %
Išėjimo įtampa	24 V nuolatinė vardinė srovė (12 elementų)
Maitinimo tinklo tiekiamos vardinės įtampos diapazonas	220–240 V kintamoji srovė, 50–60 Hz
Tiekiamos įtampos tolerancijos diapazonas	198–264 V kintamoji srovė, 47–63 Hz
Maks. išėjimo galia	240 W (8 A) 300 W (10 A)
Apsaugos klasė	IP31 <sup>5</sup> / IP44 <sup>6</sup> (žr. etiketę ant gaminio)
Izoliacijos klasė	II klasė
Įkrovimo įtampos temperatūros kompensavimas	–3 mV / °C vienam elementui

Efektyvumas (kai apkrova 100 %, tiekama 230 V kintamoji srovė / išėjimo nuolatinė srovė 28,8 V)	> 90 %
Patvirtintas 8 A akumuliatoriaus talpos diapazonas	(C <sub>20</sub> talpa) 30–80 Ah. (C <sub>5</sub> talpa) 26–68 Ah.
Patvirtintas 10 A akumuliatoriaus talpos diapazonas	(C <sub>20</sub> talpa) 30–100 Ah. (C <sub>5</sub> talpa) 26–85 Ah.
Dielektrinė pasipriešinimo įtampa	3750 V kintamoji srovė, 50 Hz
Patvirtinti akumuliatorių tipai	Švino rūgštis (gelis / AGM) 24 V tiesioginė srovė (2 x 12 V)
Aušinimas	Konvekcinis aušinimas / be ventiliatoriaus
Kištuko saugiklis (tik JK)	5 A arba 10 A (kaip nurodyta ant kištuko)

#### Matmenys, svoris, medžiaga

Korpuso plotis	206 mm
Korpuso aukštis	251 mm
Korpuso gylis	109 mm

5. IP31 klasifikacija nurodo, kad įkroviklis yra apsaugotas nuo vandens lašų ir kietų pašalinių objektų, didesnių nei 2,5 mm, patekimo  
6. IP44 klasifikacija nurodo, kad įkroviklis yra apsaugotas nuo vandens pusrūšių ir kietų pašalinių objektų, didesnių nei 1 mm, patekimo.

Maitinimo kabelio ilgis	1 800 mm
Įkrovimo kabelio (XLR) ilgis	2 000 mm
Gaminio svoris	1,4 kg
Korpuso medžiagos	PC / ABS

Jei abejojate, susisiekite su tiekėju arba pristatytoju.

## 5.2 Aplinkos parametrai

<b>Darbinės sąlygos</b>	
Aplinkos temperatūra	nuo -5 iki +40 °C
Santykinis drėgnis	10–90 % be kondensacijos
<b>Laikymo ir gabenimo sąlygos</b>	
Aplinkos temperatūra	nuo -40 iki +65 °C

---

## Spis treści

---

Ten podręcznik MUSI BYĆ przekazany użytkownikowi produktu. PRZED rozpoczęciem korzystania z produktu należy zapoznać się z informacjami znajdującymi się w podręczniku, a podręcznik zachować, aby móc korzystać z niego w przyszłości.

<b>1 Informacje ogólne</b>	<b>46</b>
1.1 Wprowadzenie	46
1.2 Symbole stosowane w instrukcji	46
1.3 Informacje dotyczące gwarancji	47
1.4 Normy i przepisy prawne	47
1.5 Przeznaczenie	47
1.6 Czas przydatności do użycia	48
1.7 Zawartość zestawu	48
<b>2 Bezpieczeństwo</b>	<b>49</b>
2.1 Informacje dotyczące bezpieczeństwa	49
2.2 Etykiety i symbole umieszczone na produkcie	51
<b>3 Uruchomienie</b>	<b>53</b>
3.1 Instalowanie ładowarki akumulatorów	53
<b>4 Użytkowanie</b>	<b>55</b>
4.1 Informacje dotyczące bezpieczeństwa	55
4.2 Korzystanie z ładowarki akumulatorów	56
<b>5 Dane Techniczne</b>	<b>58</b>
5.1 Dane ogólne	58
5.2 Parametry otoczenia	59

# 1 Informacje ogólne

## 1.1 Wprowadzenie

Niniejsza instrukcja obsługi zawiera ważne informacje na temat posługiwania się produktem. W celu zapewnienia bezpieczeństwa podczas użytkowania produktu należy dokładnie przeczytać instrukcję obsługi i przestrzegać instrukcji bezpieczeństwa.

Ten dokument może zawierać części nieodnoszące się do zakupionego produktu, ponieważ jest on przeznaczony do wszystkich dostępnych (w momencie jego drukowania) modeli. Jeśli nie podano inaczej, każda część niniejszego dokumentu dotyczy wszystkich modeli produktu.

Modele i konfiguracje dostępne dla danego kraju można znaleźć w dokumentach sprzedażowych właściwych dla kraju.

Firma Invacare zastrzega sobie prawo do zmiany specyfikacji produktu bez powiadomienia.

Przed zapoznaniem się z niniejszym dokumentem należy upewnić się, że jest to wersja najnowsza. Najnowszą wersję PDF instrukcji można znaleźć na stronie internetowej firmy Invacare.

W przypadku trudności z przeczytaniem dokumentu w wersji drukowanej z powodu zbyt małej czcionki można pobrać dokument w postaci pliku w wersji PDF z witryny internetowej. Korzystając z pliku PDF, można zwiększyć czcionkę do odpowiedniej wielkości.

Aby otrzymywać dodatkowe informacje na temat produktu, na przykład powiadomienia dotyczące bezpieczeństwa

i wycofywania produktów, należy skontaktować się z przedstawicielem firmy Invacare. Patrz adresy podane na końcu tego dokumentu.

W przypadku wystąpienia poważnego wypadku związanego z produktem należy poinformować producenta i właściwe organa w danym kraju.

## 1.2 Symbole stosowane w instrukcji

W niniejszej instrukcji występują symbole i słowa sygnałowe wskazujące zagrożenie lub niebezpieczne działania mogące spowodować obrażenia ciała osób lub uszkodzenie mienia. Poniższe informacje zawierają objaśnienia słów sygnałowych.



### OSTRZEŻENIE

Wskazuje niebezpieczną sytuację mogącą spowodować poważne obrażenia ciała lub zgon, jeśli ostrzeżenie zostanie zignorowane.



### PRZESTROGA

Wskazuje niebezpieczną sytuację mogącą spowodować nieznaczne lub lekkie obrażenia ciała, jeśli przestroga zostanie zignorowana.



### UWAGA

Wskazuje niebezpieczną sytuację mogącą spowodować uszkodzenie mienia, jeśli ostrzeżenie zostanie zignorowanie.

**Wskazówka**

Oznacza użyteczne wskazówki, zalecenia oraz informacje umożliwiające wydajne, bezproblemowe użytkowanie produktu.

**Narzędzia**

Oznacza wymagane narzędzia, podzespoły i elementy, które są wymagane do wykonania określonego zadania.

**Inne symbole**

Osoba odpowiedzialna w Wielkiej Brytanii  
Wskazuje, czy produkt nie jest produkowany w Wielkiej Brytanii.

**Triman**

Wskazuje zasady recyklingu i utylizacji odpadów (dotyczy tylko Francji).

**1.3 Informacje dotyczące gwarancji**

Zapewniamy gwarancję producenta na produkt zgodnie z naszymi ogólnymi warunkami i postanowieniami prowadzenia działalności gospodarczej w odpowiednich krajach.

Roszczenia gwarancyjne należy kierować wyłącznie do bezpośredniego dostawcy produktu.

**1.4 Normy i przepisy prawne**

Jakość jest dla naszej firmy sprawą najwyższej wagi: wszystkie procesy są oparte na normie ISO 9001.

Ten produkt jest oznaczony symbolem CE oraz symbolem UKCA, zgodnie z dyrektywą niskonapięciową 2014/35/UE i dyrektywą EMC 2014/30/UE.

Produkt spełnia wymogi norm IEC 60335 (Domowe i podobne urządzenia elektryczne — Bezpieczeństwo), EN ISO 12184 (Zasilane elektrycznie wózki inwalidzkie, skutery i ich ładowarki — Wymagania i metody badań), ISO 7176-14 (Układy elektryczne i sterujące do elektrycznych wózków elektrycznych — Wymagania i metody badań), ISO 7176-25 (Akumulatory i ładowarki wózków inwalidzkich z napędem — Wymagania i metody badań).

Firma Invacare® stale dokłada wszelkich starań, aby zmniejszyć do minimum wpływ na środowisko, zarówno w znaczeniu lokalnym, jak i globalnym.

- Firma Invacare zachowuje zgodność z aktualnymi przepisami o ochronie środowiska (np. dyrektywami WEEE i RoHS).
- Stosowane są wyłącznie materiały i elementy spełniające wymagania dyrektywy REACH.

W celu uzyskania dodatkowych informacji, należy skontaktować się z firmą Invacare w danym kraju (adresy, patrz tylna strona okładki niniejszej instrukcji).

**1.5 Przeznaczenie**

Niniejsza zewnętrzna ładowarka akumulatorów Invacare jest przeznaczona do stosowania w pomieszczeniach z zasilaniem 220–240 V / 50–60 Hz AC do ładowania akumulatorów żelowych lub AGM. Wszelkie inne użycie jest zabronione.

## 1.6 Czas przydatności do użycia

W przypadku niniejszego produktu przedsiębiorstwo nasze zakłada jego żywotność wynoszącą pięć lat, o ile produkt będzie stosowany w ramach użytkowania zgodnego z przeznaczeniem oraz o ile zostaną spełnione wszystkie zalecenia co do konserwacji i serwisu. Żywotność ta może zostać nawet przekroczona w górę, jeżeli produkt będzie starannie traktowany, konserwowany, pielęgnowany oraz użytkowany i o ile wskutek dalszego rozwoju wiedzy i techniki nie wynikną ograniczenia techniczne. Jednakże ekstremalne użytkowanie i niewłaściwe użytkowanie mogą spowodować również znaczne skrócenie żywotności. Ustalenie żywotności przez nasze przedsiębiorstwo nie stanowi żadnej dodatkowej gwarancji.

## 1.7 Zawartość zestawu



Poz.	Oznaczenie	Szt.
Ⓐ	Ładowarka akumulatorów 8 A wyposażona we wtyczkę europejską (CEE 7/16)	1
Warianty:	<p>Ładowarka akumulatorów 10 A wyposażona we wtyczkę europejską (CEE 7/16)</p> <p>Ładowarka akumulatorów 8 A wyposażona we wtyczkę brytyjską (BS 1363)</p> <p>Ładowarka akumulatorów 10 A wyposażona we wtyczkę brytyjską (BS 1363)</p>	
Ⓑ	Uchwyt na wtyczkę XLR	1
Ⓒ	Śruba do uchwytu na wtyczkę XLR	1
Ⓓ	Śruby montażu ściennego	2
Ⓔ	Zatyczki montażu ściennego	2
Ⓕ	Śruby kołnierзовые do montażu stołu	2
Ⓖ	Instrukcja obsługi	1
	Szablon do nawiercania (dołączony na końcu niniejszej instrukcji)	1

Przewód zasilania sieciowego i przewód ładowania są zamontowane na stałe w obudowie.



## 2 Bezpieczeństwo

### 2.1 Informacje dotyczące bezpieczeństwa



#### **OSTRZEŻENIE!**

- Nie wolno używać tego produktu, nie przeczytawszy najpierw w całości i ze zrozumieniem tych instrukcji. Instrukcje produktów firmy Invacare są dostępne w internecie lub u lokalnego dostawcy (adresy znajdują się na tylnej okładce niniejszej instrukcji).
- W przypadku niezrozumienia ostrzeżeń, ostrzeżeń lub instrukcji przed użyciem produktu należy skontaktować się z lekarzem, dostawcą lub pracownikiem obsługi technicznej. W przeciwnym wypadku istnieje ryzyko obrażeń ciała lub uszkodzenia produktu.



#### **OSTRZEŻENIE!**

#### **Ryzyko wybuchu i zniszczenia akumulatorów w przypadku użycia nieodpowiedniej ładowarki**

- Stosować wyłącznie ładowarkę dostarczoną wraz z pojazdem akumulatorowym lub zatwierdzoną przez firmę Invacare.



#### **OSTRZEŻENIE!**

#### **Ryzyko obrażeń ciała w przypadku korzystania z pojazdu akumulatorowego podczas ładowania**

- NIE WOLNO ponownie ładować akumulatorów i operować pojazdem akumulatorowym w tym samym czasie.
- NIE WOLNO siedzieć na pojeździe akumulatorowym podczas ładowania akumulatorów.



#### **OSTRZEŻENIE!**

#### **Ryzyko porażenia prądem i uszkodzenia akumulatorów**

- NIGDY nie podejmować prób ponownego ładowania akumulatorów przez podłączenie kabli bezpośrednio do biegunów akumulatora.



#### **OSTRZEŻENIE!**

#### **Ryzyko zwarcia i porażenia prądem elektrycznym w przypadku użycia uszkodzonej ładowarki**

- Nie używać ładowarki, która upadła lub została uszkodzona.



**OSTRZEŻENIE!**

**Ryzyko obrażeń ciała**

- Nie używać produktu, jeśli jest wadliwy.
- W razie wadliwego działania niezwłocznie skontaktować się ze swoim dostawcą.
- Nie dokonywać w produkcie żadnych nieuprawnionych zmian ani przeróbek.
- Ładowarkę należy stosować wyłącznie w pomieszczeniach.
- Nie mocować ładowarki akumulatorów bezpośrednio do pojazdu akumulatorowego.



**OSTRZEŻENIE!**

Urządzenie to nie jest przeznaczone do użytku przez osoby (w tym dzieci) o zmniejszonych możliwościach fizycznych, sensorycznych lub umysłowych bądź braku doświadczenia i wiedzy, chyba że są one pod nadzorem lub instruktażem dotyczącym korzystania z urządzenia przez osobę odpowiedzialną za ich bezpieczeństwo.



**OSTRZEŻENIE!**

Niniejsze urządzenie może być stosowane przez dzieci powyżej 8 roku życia oraz przez osoby o ograniczonych możliwościach fizycznych, sensorycznych lub umysłowych bądź braku doświadczenia i wiedzy pod nadzorem lub instruktażem w zakresie bezpiecznego stosowania urządzenia i wynikających z tego niebezpieczeństw.

- Produktem nie mogą bawić się dzieci.
- Czyszczenie i konserwacja wykonywana przez użytkownika nie może być wykonywana przez dzieci bez nadzoru.

**OSTRZEŻENIE!**

- Użytkownicy i dostawcy produktów do wspomagania mobilności powinni rozważyć możliwość wystąpienia awarii lub nieprzewidzianego działania produktu. Jeżeli w przypadku awarii sprzętu użytkownik miałby ograniczoną możliwość ruchu lub jej brak, nadal powinien być w stanie wezwać pomoc niezależnie od miejsca, gdzie się znajduje.
- Należy ładować wyłącznie akumulatory żelowe i AGM. Inne rodzaje akumulatorów po pewnym czasie mogą ulec rozerwaniu, zostać niedostatecznie naładowane lub uszkodzone. Nie należy ładować baterii.
- Aby nie dopuścić do porażenia prądem elektrycznym, nie należy dotykać niez izolowanych części ładowarki, takich jak gniazda wyjścia prądu stałego.
- Ładowarka akumulatorów powinna być regularnie sprawdzana pod kątem wszelkich uszkodzeń bądź poluzowanych, uszkodzonych lub skorodowanych złączy, odprowadzeń lub styków. Jeżeli wystąpi jakakolwiek z tych sytuacji, NIE należy próbować obsługiwać urządzenia, ale należy natychmiast skontaktować się z dostawcą.

**OSTRZEŻENIE!**

- Stosować ładowarkę wyłącznie z akumulatorami wielkości i rodzaju, do których jest ona przeznaczona.
- Nie stosować ładowarki do jakichkolwiek innych celów niż ładowanie akumulatorów pojazdów akumulatorowych za pośrednictwem gniazda ładowarki na pojeździe akumulatorowym.
- Nie obsługiwać ładowarki leżącej na boku lub z zasłoniętymi otworami wentylacyjnymi.
- Nie przykrywać ładowarki.
- Jest to produkt zasilany sieciowo i należy przestrzegać zwykłych środków ostrożności.

**UWAGA!**

- Informacje zawarte w niniejszym dokumencie mogą zostać zmienione bez powiadomienia.
- Sprawdzić wszystkie części pod kątem uszkodzeń spowodowanych transportem i innych lub innych podejrzanych cech.

## 2.2 Etykiety i symbole umieszczone na produkcie

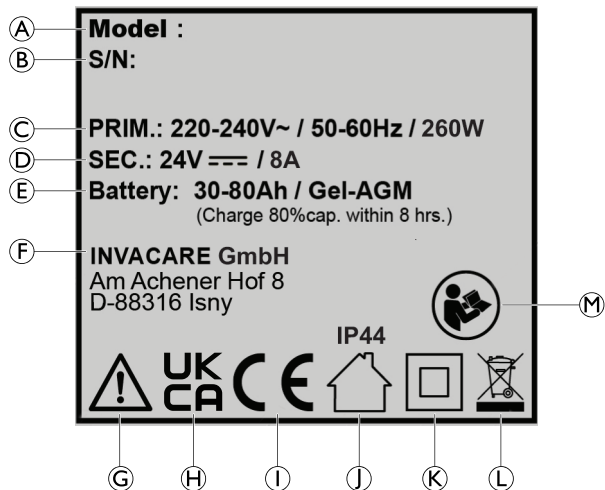
### Etykieta identyfikacyjna



Etykieta identyfikacyjna znajduje się z tyłu produktu.

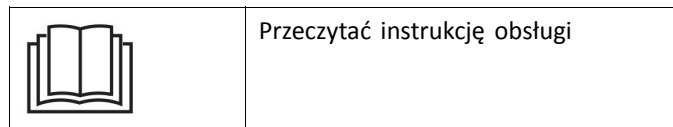


Jako przykład przedstawiono etykietę identyfikacyjną ładowarki 8 A. Wartości mogą różnić się w przypadku innych modeli, takich jak ładowarka 10 A.




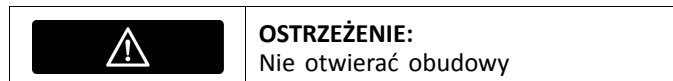
(A)	Numer modelu
(B)	Numer seryjny urządzenia
(C)	Wskazanie mocy
(D)	Wskazanie prądu
(E)	Dopuszczalne rodzaje akumulatorów
(F)	Producent
(G)	Symbol ostrzeżenia
(H)	Oceniono pod względem zgodności w Wielkiej Brytanii

(I)	Znak zgodności (CE)
(J)	Do użytku tylko w pomieszczeniach / Rodzaj ochrony
(K)	Klasa II klasy ochrony
(L)	Produkt podlega dyrektywie WEEE
(M)	Zapoznać się z instrukcją obsługi



#### Etykieta ostrzegawcza

 Etykieta ostrzegawcza znajduje się u dołu produktu.



## 3 Uruchomienie

### 3.1 Instalowanie ładowarki akumulatorów

Ładowarka może być umieszczona na gumowej stopce na poziomej powierzchni lub zamocowana do podłogi lub ściany.



#### OSTRZEŻENIE!

- Upewnić się, że podczas wiercenia powierzchni montażu nie zostaną przewiercone żadne przewody, rury ani inne połączenia mediów.
- Upewnić się, że powierzchnia montażu nadaje się do wiercenia.

#### Instalacja uchwyty na wtyczkę XLR



- Klucz TX20 Torx



Fig. 3-1

1. Przymocować uchwyt ② do obudowy za pomocą śruby ③.

#### Instalowanie do stołu



- Punktak
- (bezwodny) śrubokręt, wiertło 5 mm, wkładka śruby krzyżakowej 5 mm
- Szablon do nawiercania (patrz koniec tego dokumentu)

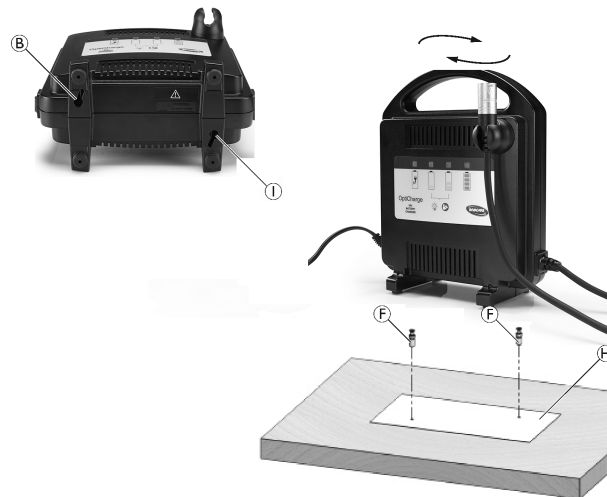


Fig. 3-2

## ! UWAGA!

Szablon do nawiercania jest poprawny jedynie, gdy jest wydrukowany w oryginalnym rozmiarze w skali 100%.

- Sprawdzić szablon do nawiercania pod kątem prawidłowych rozmiarów.
- W razie potrzeby stworzyć własny szablon do nawiercania o podanych wymiarach.

1. Umieścić szablon do nawiercania ① na stole i przytrzymać na miejscu.
2. Za pomocą punktaka zaznaczyć dwa wskazane na szablonie otwory do wywiercenia.
3. Wywiercić w stole dwa otwory na głębokość 12 mm za pomocą odpowiedniego wiertła o średnicy 5 mm.
4. Wkręcić dwie śruby kołnierzone ② (dołączone w zestawie montażowym) do otworów do momentu napotkania oporu.
5. Umieścić ładowarkę akumulatorów na stole wyrównując otwory ① z wystającymi śrubami.
6. Delikatnie obracać ładowarkę akumulatorów zgodnie z kierunkiem ruchu wskazówek zegara, aż zostanie zablokowana na miejscu.

### Instalowanie do ściany



- Punktak
- (bezzprzewodowy) śrubokręt, wiertło 6 mm, wkładka śruby krzyżakowej 4 mm
- Metrówka (lub podobna)

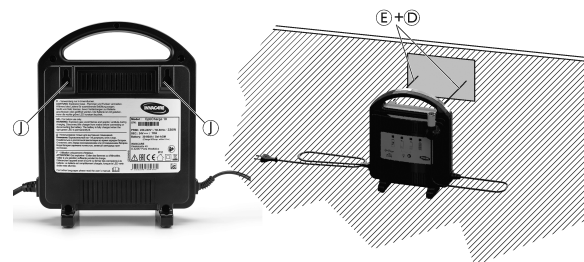


Fig. 3-3

1. Za pomocą punktaka zaznaczyć na ścianie dwa otwory w miejscu, gdzie ma być zamocowana ładowarka.



Odległość między otworami musi wynosić 120 mm.

2. Wywiercić w ścianie dwa otwory za pomocą odpowiedniego wiertła o średnicy 6 mm.
3. Umieścić w każdym otworze kołek rozporowy ③ (dołączone w zestawie montażowym).
4. Wkręcić dwie śruby ④ (dołączone w zestawie montażowym) do otworów pozostawiając wystające 10 mm śrub.
5. Umieścić ładowarkę akumulatorów na ścianie wyrównując otwory ① z wystającymi śrubami.

## 4 Użytkowanie

### 4.1 Informacje dotyczące bezpieczeństwa



#### **OSTRZEŻENIE!**

- Bezpiecznik w gniazdku zasilania prądem zmiennym, do którego będzie podłączana ładowarka powinien mieć wartość 5 A na ładowarkę. Zalecany jest bezpiecznik zwłoczny.
- Nie należy przeciążać gniazdek elektrycznych.
- Unikać używania przedłużacza. Stosowanie nieprawidłowego przedłużacza może przyczynić się do ryzyka pożaru i porażenia prądem elektrycznym. Jeżeli potrzebny jest przedłużacz, należy zapewnić upewnić się, że ma wartość znamionową 5 A lub więcej i jest w dobrym stanie oraz możliwie krótki. Jeżeli używany jest przedłużacz, powinien być stosowany zgodnie z instrukcją producenta przedłużacza.
- Do gniazda ładowarki akumulatorów należy podłączać zgodne gniazdo przedłużacza.
- Wszystkie przewody należy umieścić w ten sposób, aby wyeliminować prawdopodobieństwo stanięcia na nim, przewrócenia się o niego lub w inny sposób narażenia na uszkodzenie lub naprężenia.
- Nie używać ładowarki, jeżeli przewód zasilający jest uszkodzony. Natychmiast skontaktować się z dostawcą.
- Nie używać ładowarki, jeżeli została silnie uderzona lub w inny sposób uszkodzona. Natychmiast skontaktować się z dostawcą.
- Nie ładować pojedynczych akumulatorów 12 woltowych.



#### **OSTRZEŻENIE!**

- Stosować wyłącznie z zasilaniem sieciowym 220–240 V AC / 50–60 Hz.



#### **OSTRZEŻENIE!**

- Chronić ładowarkę przed deszczem i wilgocią. W razie wnikięcia do urządzenia wody lub innego płynu, należy je natychmiast odłączyć od zasilania sieciowego oraz od zasilacza i wózka inwalidzkiego. Skontaktować się z dostawcą.



#### **OSTRZEŻENIE!**

- Nie podejmować prób otwierania obudowy. Nawet jeżeli urządzenie jest odłączone, istnieje ryzyko porażenia prądem elektrycznym. Wewnątrz nie ma żadnych bezpieczników ani części podlegających serwisowaniu przez użytkownika.
- Nie wkładać żadnych przedmiotów przez szczeliny wentylacyjne.



#### **OSTRZEŻENIE!**

- Podczas normalnej pracy akumulatorów mogą być z nich uwalniane wybuchowe gazy.
- W pobliżu ładowarki nie należy palić ani stosować otwartego ognia.
- Ładowarkę należy używać wyłącznie w dobrze wentylowanym miejscu.

## 4.2 Korzystanie z ładowarki akumulatorów



### UWAGA!

#### Ryzyko obrażeń ciała spowodowanych przez kontakt z gorącymi powierzchniami

W trakcie ładowania, wtyczka XLR może stać się bardzo gorąca.

- Nie należy dotykać wtyczki XLR w trakcie ładowania.
- Nie należy wyjmować wtyczki XLR, dopóki pojazd akumulatorowy nie będzie w pełni naładowany.
- Usunąć odprowadzenie sieci zasilania z gniazda zasilania i poczekać, aż wtyczka XLR będzie schłodzona.

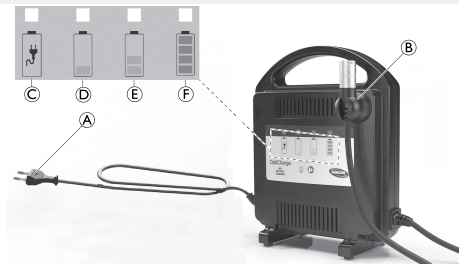


Fig. 4-1

1. Wyłączyć pojazd akumulatorowy.
2. Podłączyć wtyczkę XLR (B) do pojazdu akumulatorowego do naładowania.

3. Podłączyć odprowadzenie sieci zasilania (A) do odpowiedniego gniazda zasilania. Diody LED (D)/(E)/(F) wskaźnika poziomu naładowania akumulatora migają raz. Dioda LED zasilania (C) świeci na zielono. Wskazuje to, że akumulator jest prawidłowo podłączony i ładuje się.
4. Po zakończeniu ładowania należy najpierw odłączyć odprowadzenie zasilania od gniazda zasilania, a następnie wtyczkę XLR od pojazdu akumulatorowego.

### Wskazanie diody LED



### UWAGA!

- Akumulatory wielokrotnie ładowane i stosowane częściowo naładowane będą miały znacznie krótszą żywotność.
- Podczas podłączenia do ładowarki stan naładowania powinien być odczytywany wyłącznie ze wskaźników ładowarki akumulatorów, a nie z pojazdu akumulatorowego.

Dioda LED „rozładowany akumulator” (D) zapala się na żółto, gdy akumulator jest rozładowany i trwa ładowanie. Akumulator o niskim stanie naładowania powinien zostać naładowany w ciągu około 12 godzin. Mniejsze lub częściowo naładowane akumulatory będą w pełni ładowane krócej.

Dioda LED „akumulator częściowo naładowany” (E) zapala się na żółto dodatkowo, gdy akumulator jest częściowo naładowany (>50%). Pojazd akumulatorowy z akumulatorami o tym lub niższym poziomie naładowania może być stosowany wyłącznie w sytuacjach awaryjnych.



Dioda LED „akumulator pełny”  $\text{\textcircled{F}}$  zapala się na zielono dodatkowo (zapalone wszystkie diody LED), gdy akumulator jest całkowicie naładowany.

Gdy migają diody LED  $\text{\textcircled{D}}$  i  $\text{\textcircled{E}}$ , wystąpił błąd:

- Sprawdzić prawidłowość połączenia
- Skontaktować się z lokalnym dostawcą

## 5 Dane Techniczne

### 5.1 Dane ogólne

Parametry elektryczne	
Natężenie wyjściowe	8 A / 10 A ±8%
Napięcie wyjściowe	24 V prądu stałego nominalnie (12 ogniw)
Nominalny zakres napięcia sieciowego	220–240 V (prąd przemienny), 50–60 Hz
Zakres tolerancji napięcia wejściowego	198–264 V (prąd przemienny), 47–63 Hz
Maks. moc wyjściowa	240 W (8 A) 300 W (10 A)
Stopień ochrony	IP31 <sup>7</sup> / IP44 <sup>8</sup> (patrz etykieta na produkcie)
Klasa izolacji	Klasa II
Kompensacja temperatury napięcia ładowania	-3 mV / °C na ogniwo
Wydajność (przy obciążeniu 100%, wejście 230 V AC / wyjście 28,8 V DC)	>90%

Zatwierdzony zakres pojemności akumulatora przy 8 A	(C <sub>20</sub> -pojemność) 30–80 Ah (C <sub>5</sub> -pojemność) 26–68 Ah
Zatwierdzony zakres pojemności akumulatora przy 10 A	(C <sub>20</sub> -pojemność) 30–100 Ah. (C <sub>5</sub> -pojemność) 26–85 Ah.
Wytrzymałość dielektryczna	3750 V (prąd przemienny), 50 Hz
Zatwierdzone rodzaje akumulatorów	Kwasowo-ołowiowe (żelowe / AGM) 24 V DC (2 x 12 V)
Chłodzenie	Chłodzenie konwekcyjne / bez wentylatorów
Bezpiecznik wtyczki (tylko Wielka Brytania)	5 A lub 10 A (jak wskazano na wtyczce)

Wymiary, masa, materiał	
Szerokość obudowy	206 mm
Wysokość obudowy	251 mm
Głębokość obudowy	109 mm
Długość przewodu zasilającego	1800 mm

7. Klasyfikacja IP31 oznacza, że ładowarka jest zabezpieczona przed kapiącą wodą i wnikaniem ciał stałych o średnicy ponad 2,5 mm.  
8. Klasyfikacja IP44 oznacza, że ładowarka jest zabezpieczona przed rozpyloną wodą i wnikaniem ciał stałych o średnicy ponad 1 mm.

Długość przewodu ładującego (XLR)	2000 mm
Masa produktu	1,4 kg
Materiał obudowy	PC / ABS

W razie wątpliwości należy skontaktować się z dostawcą.

## 5.2 Parametry otoczenia

<b>Warunki podczas pracy:</b>	
Temperatura otoczenia	-5°C do +40°C
Wilgotność względna	10–90%, bez kondensacji
<b>Warunki przechowywania i transportu</b>	
Temperatura otoczenia	-40°C do +65°C



---

# Kazalo

---

Ta priročnik MORATE dati uporabniku izdelka. PREDEN uporabljate izdelek, preberite ta priročnik in ga shranite, če ga boste potrebovali v prihodnje.

<b>1 Splošno</b>	<b>62</b>
1.1 Uvod	62
1.2 Simboli v tem priročniku	62
1.3 Garancijske informacije	63
1.4 Standardi in predpisi	63
1.5 Predvidena uporaba	63
1.6 Življenjska doba	63
1.7 Kaj je vključeno	64
<b>2 Varnost</b>	<b>65</b>
2.1 Varnostne informacije	65
2.2 Oznake in simboli na izdelku	67
<b>3 Začetek uporabe</b>	<b>69</b>
3.1 Nameščanje polnilnika za akumulator	69
<b>4 Uporaba</b>	<b>71</b>
4.1 Varnostne informacije	71
4.2 Uporaba polnilnika za akumulator	72
<b>5 Tehnični Podatki</b>	<b>73</b>
5.1 Splošni podatki	73
5.2 Okoljski parametri	74
<b>6 Šablona za vrtnje pri namizni namestitvi</b>	<b>75</b>

# 1 Splošno

## 1.1 Uvod

Ta navodila za uporabo vsebujejo pomembne informacije o ravnanju z izdelkom. Za zagotavljanje varne uporabe izdelka natančno preberite navodila za uporabo in upoštevajte varnostne informacije.

V ta dokument so morda vključeni tudi razdelki, ki niso povezani z vašim izdelkom, saj je namenjen uporabi vseh razpoložljivih modelov (na dan tiskanja). Če ni navedeno drugače, vsak razdelek v tem dokumentu velja za vse modele izdelka.

Modeli in konfiguracije, ki so na voljo v vaši državi, so navedeni v prodajnih dokumentih za vašo državo.

Družba Invacare si pridržuje pravico do spremembe specifikacij izdelka brez predhodnega obvestila.

Pred branjem tega dokumenta se prepričajte, da imate najnovejšo različico. Najnovejša različica je na voljo v obliki PDF na spletnem mestu družbe Invacare.

Če je pisava v natisnjem dokumentu za uporabo za vas premajhna in zato težko berljiva, lahko s spletnega mesta prenesete navodila v obliki PDF. Na zaslonu računalnika lahko nato spreminjate velikost pisave v dokumentu PDF, dokler vam popolnoma ne ustreza za branje.

Za več informacij o izdelku, kot so varnostna opozorila in odpoklic izdelkov, se obrnite na predstavnika družbe Invacare. Glejte naslove na koncu tega dokumenta.

V primeru resne nesreče z izdelkom morate o tem obvestiti proizvajalca in pristojni organ v vaši državi.

## 1.2 Simboli v tem priročniku

V tem priročniku so uporabljeni simboli in opozorilne besede, ki veljajo za nevarnosti in nevarne postopke, pri katerih lahko pride do telesnih poškodb ali materialne škode. Definicije opozorilnih besed so navedene spodaj.



### OPOZORILO

Označuje nevarno situacijo, ki lahko povzroči hudo poškodbo ali smrt, če je ne preprečite.



### POZOR

Označuje nevarno situacijo, ki lahko povzroči lažje do srednje hude telesne poškodbe, če je ne preprečite.



### OBVESTILO

Označuje situacije, ki so lahko nevarne in ki lahko povzročijo gmotno škodo, če jih ne preprečite.



### Nasveti

Označuje uporabne napotke, priporočila in informacije za učinkovito uporabo brez težav.



### Orodje

Določa orodje, sestavne dele in elemente, ki jih potrebujete za izvedbo določenega opravila.

## Drugi simboli



Oseba, odgovorna za ZK  
Označuje izdelek, ki ni izdelan v Združenem kraljestvu.



Triman  
Označuje pravila recikliranja in razvrščanja (velja samo za Francijo).

## 1.3 Garancijske informacije

Garancijo proizvajalca za izdelek zagotavljamo v skladu z našimi splošnimi pogoji ter pogoji poslovanja, ki veljajo v posameznih državah.

Zahtevke za garancijo lahko uveljavljate samo pri prodajalcu, pri katerem ste kupili izdelek.

## 1.4 Standardi in predpisi

Kakovost je naše glavno poslanstvo, zato so vsi postopki podjetja skladni s standardom ISO 9001.

Izdelek ima oznaki CE in UKCA v skladu z Direktivo o nizki napetosti 2014/35/EU in Direktivo o elektromagnetni združljivosti (EMC) 2014/30/EU.

Izdelek ustreza zahtevam standardov IEC 60335 (Gospodinjiski in podobni električni aparati – Varnost), EN ISO 12184 (Električni invalidski vozički, skuterji in njihovo polnjenje – Zahteve in preskusne metode), ISO 7176-14 (Napajalni in krmilni sistemi za električne invalidske vozičke – Zahteve in preskusne metode), ISO 7176-25 (Baterije in polnilniki za električne invalidske vozičke – Zahteve in preskusne metode).

Invacare si stalno prizadeva za kar najmanjši vpliv družbe na lokalno in globalno okolje.

- Upošteevamo veljavno okoljske zakonodajo (npr. direktivi OEEO in RoHS).
- Uporabljamo le materiale in sestavne dele, ki so v skladu z uredbo REACH.

Za dodatne informacije se obrnite na zastopnika družbe Invacare v vaši državi (naslovi so na zadnji strani tega priročnika).

## 1.5 Predvidena uporaba

Samostojni polnilnik akumulatorja Invacare je namenjen uporabi v prostorih z napajanjem z od 220 do 240-voltnim izmeničnim tokom, 50–60 Hz za napajanje akumulatorjev z gelom ali akumulatorjev AGM za ponovno polnjenje. Vsi drugi načini uporabe so prepovedani

## 1.6 Življenjska doba

Izdelovalec za izdelek predvideva petletno življenjsko dobo, če bo uporabljan pravilno in v skladu z namembnostjo in bodo upoštevana vsa navodila za vzdrževanje in servisiranje. Življenjska doba izdelka se lahko celo podaljša, če boste z njim ravnali, ga vzdrževali, čistili in uporabljali skrbno in če se pri nadaljnjem znanstvenem in tehničnem razvoju ne bodo pokazale tehnične omejitve. Življenjska doba pa se lahko zaradi ekstremne in nestrokovne uporabe tudi izredno skrajša. Določitev življenjske dobe s strani našega podjetja ne pomeni dodatne garancije.

## 1.7 Kaj je vključeno



Oznaka	Naziv	Kol.
Ⓕ	Vijaka s prirobnico za namizno namestitev	2
Ⓖ	Navodilo za uporabo	1
	Šablona za vrtanje (vključena na koncu tega priročnika)	1

Napajalni kabel in kabel za polnjenje sta fiksno nameščena v ohišju.

Oznaka	Naziv	Kol.
Ⓐ	8-amperski polnilnik za akumulator z evropskim vtičem (CEE 7/16)	1
Raz- ličice:	10-amperski polnilnik za akumulator z evropskim vtičem (CEE 7/16)	
	8-amperski polnilnik za akumulator z britanskim vtičem (BS 1363)	
	10-amperski polnilnik za akumulator z britanskim vtičem (BS 1363)	
Ⓑ	Držalo za vtič XLR	1
Ⓒ	Vijak za držalo za vtič XLR	1
Ⓓ	Vijaka za stensko namestitev	2
Ⓔ	Vložka za stensko namestitev	2



## 2 Varnost

### 2.1 Varnostne informacije



#### **OPOZORILO!**

- Ne uporabljajte tega izdelka, dokler ne preberete celotnih navodil in jih razumete. Priročniki za izdelke Invacare so na voljo v internetu ali pri vašem lokalnem prodajalcu (naslovi so navedeni na zadnji platnici tega priročnika).
- Če opozoril, svaril ali navodil ne razumete, se pred uporabo te opreme obrnite na zdravstvenega delavca, prodajalca ali tehnično osebje – v nasprotnem primeru lahko pride do telesne poškodbe ali gmotne škode.



#### **OPOZORILO!**

#### **Nevarnost eksplozije in uničenja akumulatorjev, če uporabite napačen polnilnik**

- Vedno uporabljajte samo polnilnik akumulatorja, ki je bil priložen vozičku, ali pa polnilnik, ga je odobrila družba Invacare.



#### **OPOZORILO!**

#### **Nevarnost telesne poškodbe, če se voziček uporablja med polnjenjem**

- NE poskušajte hkrati polniti akumulatorjev in uporabljati vozička.
- V času polnjenja akumulatorjev NE sedite v vozičku.



#### **OPOZORILO!**

#### **Nevarnost električnega udara in okvare akumulatorjev**

- Akumulatorjev NE poskušajte polniti tako, da kable priklopite neposredno na priključke akumulatorjev.



#### **OPOZORILO!**

#### **Nevarnost kratkega stika ali električnega udara, če je polnilnik akumulatorja poškodovan**

- Polnilnika akumulatorja ne uporabljajte, če je padel ali je poškodovan.



#### **OPOZORILO!**

#### **Nevarnost telesnih poškodb**

- Če je izdelek poškodovan, ga ne uporabljajte.
- V primeru okvare se nemudoma obrnite na prodajalca.
- Ne izvajajte nepooblaščenih sprememb ali prilagoditev izdelka.
- Polnilnik uporabljajte samo v zaprtih prostorih.
- Polnilnika za akumulator ne nameščajte neposredno na voziček.



#### **OPOZORILO!**

Naprave ne smejo uporabljati osebe (vključno z otroki) z zmanjšanimi fizičnimi, čutilnimi ali duševnimi sposobnostmi oziroma s pomanjkanjem izkušenj in znanja, razen če jih oseba, odgovorna za njihovo varnost, nadzoruje ali pouči o uporabi naprave.



### OPOZORILO!

To napravo lahko uporabljajo otroci, starejši od 8 let, ter osebe z zmanjšanimi fizičnimi, čutilnimi ali duševnimi zmožnostmi oz. s pomanjkanjem znanja in izkušenj, če so pod nadzorom ali se jih pouči o varni uporabi naprave in povezanih nevarnostih.

- Otroci se ne smejo igrati z izdelkom.
- Otroci ne smejo nenadzirano izvajati čiščenja in vzdrževanja.



### OPOZORILO!

- Uporabniki in dobavitelji vozičkov za pomoč pri gibanju morajo upoštevati, da lahko izdelek preneha delovati ali se pojavijo motnje v njegovem delovanju. Če se uporabniku zgodi, da je zaradi okvare opreme njegovo gibanje omejeno ali ni več mogoče, mora vedno imeti na voljo možnost, da priključijo pomoč.
- Polnite samo akumulatorje z gelom in akumulatorje AGM. Druge vrste akumulatorjev lahko sčasoma eksplodirajo, se slabo polnijo ali poškodujejo. Ne polnite akumulatorjev, ki niso namenjeni ponovnemu polnjenju.
- Za preprečevanje električnega udara se ne dotikajte neizoliranih delov polnilnika, na primer izhodnih priključkov enosmernega toka.
- Redno je treba pregledovati, ali so na polnilniku za akumulator prisotne poškodbe oz. ali so razrahljani, poškodovani ali korodirani priključki, kablji in priključne sponke. V takšnih primerih **NE UPORABLJAJTE** izdelka in se takoj obrnite na prodajalca.

**OPOZORILO!**

- Polnilnik uporabljajte samo z akumulatorji vrste in velikosti, predvidene za uporabo s tem polnilnikom.
- Polnilnika ne uporabljajte za noben drug namen, razen polnjenja akumulatorjev vozilov prek polnilne vtičnice na vozičkih.
- Polnilnika ne uporabljajte tako, da leži na strani ali so prezračevalne reže prekrite.
- Polnilnika ne pokrivajte.
- Ta izdelek se napaja iz električnega omrežja, zato je treba upoštevati običajne varnostne ukrepe.

**OBVESTILO!**

- Informacije v tem dokumentu se lahko spremenijo brez predhodnega obvestila.
- Preglejte vse dele in se prepričajte, da se niso poškodovali med pošiljanjem ter da niso prisotne nobene druge poškodbe ali druge očitne napake.

## 2.2 Oznake in simboli na izdelku

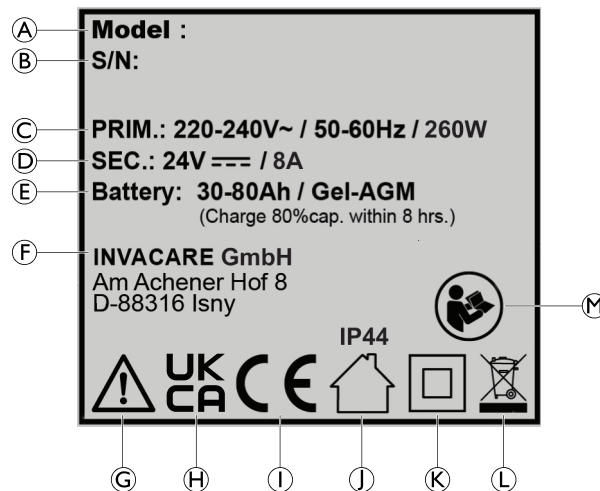
### Identifikacijska oznaka



Identifikacijska oznaka je na zadnji strani izdelka.




Za primer je prikazana identifikacijska oznaka polnilnika 8 A. Vrednosti za druge modele, npr. polnilnik 10 A, se lahko razlikujejo.





(A)	Številko modela
(B)	Serijska številka naprave
(C)	Oznaka napetosti
(D)	Oznaka toka
(E)	Dovoljene vrste akumulatorjev
(F)	Proizvajalec
(G)	Simbol za opozorilo
(H)	Preverjena skladnost za ZK
(I)	Oznaka skladnosti (CE)

Ⓛ	Samo za notranjo uporabo/vrsta zaščite
Ⓚ	Varnostni razred II
Ⓛ	Skladno z Direktivo o odpadni električni in elektronski opremi (OEEO)
Ⓜ	Glejte navodila za uporabo

	Preberite navodila za uporabo
--	-------------------------------

### Opozorilna oznaka

 Opozorilna oznaka je na spodnji strani izdelka.

	<b>NEVARNOST:</b> Ne odpirajte ohišja
---	--

## 3 Začetek uporabe

### 3.1 Nameščanje polnilnika za akumulator

Polnilnik za akumulator lahko na gumijastih nogah stoji na vodoravni površini, pri čemer ga je mogoče namestiti tudi na tla ali steno.



#### OPOZORILO!

- Pri vrtanju v površino za namestitev pazite, da ne predrte kablov, cevi ali drugih priključkov.
- Prepričajte se, da je površina, na katero želite namestiti polnilnik, primerna za vrtanje.

#### Nameščanje držala za vtič XLR



- Ključ za zvezdaste vijake TX20



Fig. 3-1

1. Držalo **B** namestite na ohišje z vijakom **C**.

#### Nameščanje na mizo



- Točkalno
- (Brezžični) vijaknik, 5-milimetrski sveder, 5-milimetrski križni nastavek
- Šablona za vrtanje (na koncu tega dokumenta)

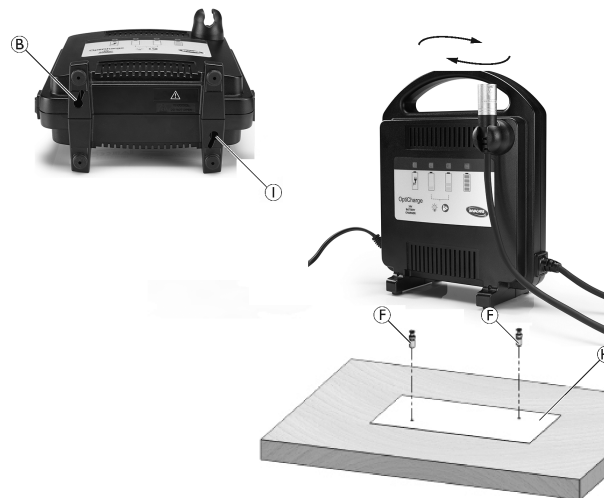


Fig. 3-2

## ! OBVESTILO!

Šablona za vrtanje je veljavna samo, če je natisnjena v izvorni velikosti datoteke v 100-odstotnem merilu.

- Ustrezne mere so navedene na šabloni za vrtanje.
- Če je potrebno, po navedenih merah izdelajte svojo šablono.

1. Šablono za vrtanje ④ položite na mizo in jo držite na mestu.
2. S točkalom označite mesto lukenj za vrtanje, kot sta označeni na šabloni.
3. S primernim 5-milimetrskim svedrom izvrtajte dve luknji globine 12 mm.
4. Privijte dva vijaka s prirobnico ⑤ (vključena v komplet za namestitev) v luknji, dokler ne začutite upora.
5. Polnilnik za akumulator položite na mizo tako, da odprtini ① poravnate z glavama vijakov.
6. Polnilnik za akumulator nekoliko zasukajte v smeri urnega kazalca, da se zaskoči na mestu.

### Nameščanje na steno



- Točkalo
- (Brezžični) vijačnik, 6-milimetrski sveder, 4-milimetrski križni nastavek
- Žepni meter (ali podoben pripomoček)

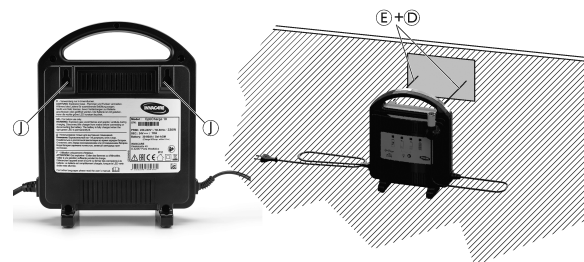


Fig. 3-3

1. S točkalom označite mesto lukenj za vrtanje na steni, kjer želite namestiti polnilnik za akumulator.



Razdalja med luknjama mora biti 120 mm.

2. S primernim 6-milimetrskim svedrom izvrtajte dve luknji v steno.
3. V luknji namestite zidna vložka ⑥ (vključena v komplet za namestitev).
4. Privijte vijaka ⑦ (vključena v komplet za namestitev) v luknji tako, da ostane 10 mm vijaka zunaj luknje.
5. Polnilnik za akumulator namestite na steno tako, da odprtini ① poravnate z glavama vijakov.

## 4 Uporaba

### 4.1 Varnostne informacije



#### OPOZORILO!

- Nazivna moč varovalke električne vtičnice, v katero boste priklopili polnilnik, mora biti 5 amperov na polnilnik. Priporočena je uporaba varovalke s časovnim zamikom.
- Ne preobremenite električnih vtičnic.
- Odsvetujemo uporabo podaljška. Uporaba neprimernega podaljška lahko povzroči nevarnost požara in električnega udara. Če je uporaba podaljška nujna, uporabite čim krajši in ohranjen kabel z nazivno vrednostjo toka 5 amperov ali več. Če uporabljate podaljšek, ga morate uporabljati v skladu z navodili proizvajalca podaljška.
- Uporabite podaljšek s priključkom, ki je združljiv z napajalnik priključkom polnilnika.
- Vse kable namestite tako, da ne more nihče stopiti na njih, se spotakniti ali jih kako drugače izpostaviti poškodbam ali obrabi.
- Polnilnika ne uporabljajte, če je podaljšek poškodovan. Takoj se obrnite na prodajalca.
- Ne uporabljajte polnilnika, če je prejel močen udarec ali je kako drugače poškodovan. Takoj se obrnite na prodajalca.
- Ne polnite posameznih 12-voltnih akumulatorjev.



#### OPOZORILO!

- Uporabljajte samo z električno vtičnico z napajanjem 220–240 V (izmenični tok)/50–60



#### OPOZORILO!

- Polnilnik mora biti zaščiten pred dežjem in vlago. Če pride do vdora vode ali druge tekočine v enoto, jo takoj izklopite iz električne vtičnice in iz akumulatorja invalidskega vozička. Obrnite se na dobavitelja.



#### OPOZORILO!

- Ne poskušajte odpirati ohišja. Obstaja nevarnost električnega udara, tudi če je enota izklopljena. V ohišju ni varovalk ali delov, ki bi jih lahko popravil uporabnik.
- Ne vstavljajte predmetov v prežračevalne reže.



#### OPOZORILO!

- Med običajnim delovanjem polnilnikov akumulatorjev lahko iz akumulatorjev uhajajo eksplozivni plini.
- Ne kadite ali uporabljajte odprtega ognja v bližini polnilnika.
- Polnilnik uporabljajte samo v dobro prezračevanem prostoru.

## 4.2 Uporaba polnilnika za akumulator



### PREVIDNO!

#### Nevarnost telesne poškodbe zaradi vročih površin

Vtič XLR se lahko med polnjenjem zelo segreje.

- Vtiča XLR se med polnjenjem ne dotikajte.
- Vtiča XLR ne odstranjujte, dokler ni voziček popolnoma napolnjen.
- Napajalni kabel odstranite iz vtičnice in počakajte, da se vtič XLR ohladi.

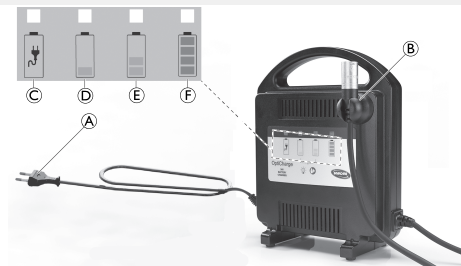


Fig. 4-1

1. Izklopite voziček.
2. Vtič XLR **B** priključite na voziček, ki ga želite napolniti.
3. Napajalni kabel **A** priključite v ustrezno vtičnico. Lučke LED za raven napolnjenosti **D/E/F** utripnejo enkrat. Lučka LED za napajanje **C** sveti zeleno. To pomeni, da je akumulator pravilno priključen in se polni.
4. Ko je polnjenje končano, najprej odklopite napajalni kabel iz vtičnice, nato odklopite vtič XLR iz vozička.

## Prikaz stanja z lučkami LED



### OBVESTILO!

- Če akumulatorja pogosto ne napolnite do konca in ga uporabljate le delno napolnjenega, se s tem znatno skrajša življenjska doba akumulatorja.
- Ko je voziček priključen na polnilnik, stanje napolnjenosti akumulatorja odčitajte samo na podlagi lučk na polnilniku in ne z vozička.

Lučka LED za „prazen akumulator“ **D** sveti rumeno, ko je akumulator prazen in se polni. Skoraj prazen akumulator se običajno napolni v približno 12 urah. Manjši ali delno izpraznjeni akumulatorji potrebujejo sorazmerno manj časa, da se v celoti napolnijo.

Lučka LED za „delno napolnjen akumulator“ **E** istočasno sveti rumeno, ko je akumulator delno napolnjen (> 50 %). Voziček z akumulatorji s to ravno napolnjenosti ali nižjo se lahko uporablja samo v nujnih primerih.

Ko je akumulator popolnoma napolnjen, se dodatno vklopi še lučka LED za „poln akumulator“ **F** (vse lučke svetijo).

Če lučki LED **D** in **E** utripata, je prišlo do napake:

- Preverite, ali je vse pravilno priključeno.
- Obrnite se na lokalnega prodajalca.



## 5 Tehnični Podatki

### 5.1 Splošni podatki

Električni podatki	
Izhodni tok	8 A/10 A ± 8 %
Izhodna napetost	24 V, enosmerni tok, nazivna (12-celični akumulator)
Območje nazivne napetosti vhodnega napajanja	220–240 V, izmenični tok, 50–60 Hz
Tolerančno območje vhodne napetosti	198–264 V, izmenični tok, 47–63 Hz
Najvišja izhodna moč	240 W (8 A) 300 W (10 A)
Stopnja zaščite	IP31 <sup>9</sup> /IP44 <sup>10</sup> (glejte oznako na izdelku)
Razred izolacije	Razred II
Temperaturna kompenzacija polnilne napetosti	–3 mV/°C na celico

Učinkovitost (pri 100-odstotni obremenitvi, vhodni napetosti 230 V izmeničnega toka/izhodni napetosti 28,8 V enosmernege toka)	> 90 %
Odobreno območje zmogljivosti akumulatorja pri 8 A	(zmogljivost C <sub>20</sub> ) 30–80 Ah (zmogljivost C <sub>5</sub> ) 26–68 Ah
Odobreno območje zmogljivosti akumulatorja pri 10 A	(zmogljivost C <sub>20</sub> ) 30–100 Ah (zmogljivost C <sub>5</sub> ) 26–85 Ah
Dielektrična zdržnost	3750 V, izmenični tok, 50 Hz
Odobrene vrste akumulatorjev	Svinčevo-kislinski (gel/AGM) 24 V, enosmerni tok (2 x 12 V)
Hlajenje	Konvekcijsko hlajenje/delovanje brez ventilatorja
Varovalka vtiča (samo za VB)	5 A ali 10 A (kot je navedeno na vtiču)

#### Mere, teža, material

Širina ohišja	206 mm
---------------	--------

9. Klasifikacija IP31 pomeni, da je polnilnik zaščiten pred kapljanjem vode in vdorom trdnih tujkov, večjih od 2,5 mm.

10. Klasifikacija IP44 pomeni, da je polnilnik zaščiten pred pršenjem vode in vdorom trdnih tujkov, večjih od 1 mm.

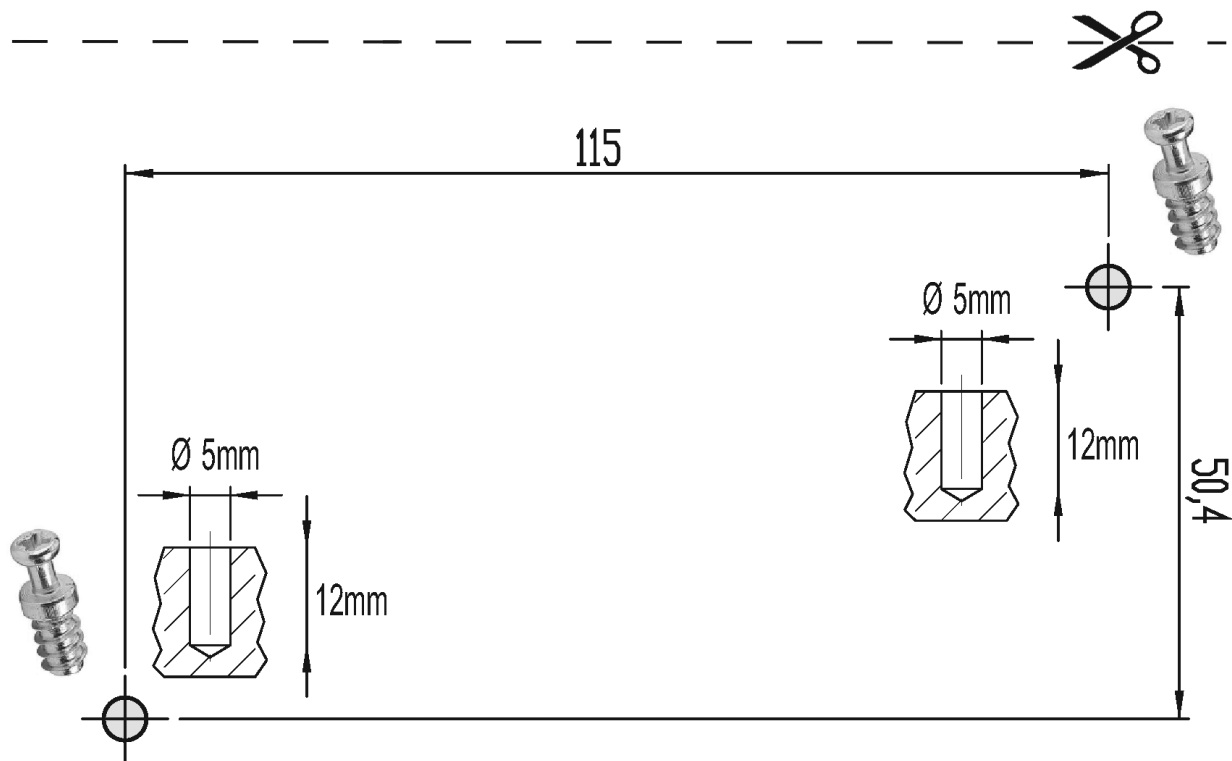
Višina ohišja	251 mm
Globina ohišja	109 mm
Dolžina napajalnega kabla	1800 mm
Dolžina polnilnega kabla (XLR)	2000 mm
Teža izdelka	1,4 kg
Material ohišja	PC/ABS

Če ste v dvomih, se obrnite na prodajalca ali dobavitelja.

## 5.2 Okoljski parametri

<b>Pogoji delovanja</b>	
Temperatura okolice	od -5 °C do +40 °C
Relativna vlažnost	od 10 % do 90 %, brez kondenzacije
<b>Pogoji shranjevanja in pošiljanja</b>	
Temperatura okolice	od -40 °C do +65 °C

## 6 Šablona za vrtnje pri namizni namestitvi





**EU Export:**

Invacare Poirier SAS  
Route de St Roch  
F-37230 Fondettes  
Tel: (33) (0)2 47 62 69 80  
serviceclient\_export@invacare.com  
www.invacare.eu.com

---



Invacare GmbH  
Am Achener Hof 8  
D-88316 Isny  
Germany



Invacare UK Operations Limited  
Unit 4, Pencoed Technology Park,  
Pencoed  
Bridgend CF35 5AQ  
UK

1639049-E 2022-10-07



**Making Life's Experiences Possible®**



**Yes, you can.®**