



*Invacare<sup>®</sup> Ben 9 Plus*  

---

*Maintenance & Spare Parts Manual*

CE



<b>Contents</b>	<b>Page</b>
<b>Chapter 1 Introduction</b>	
Introduction .....	1.3
Policy .....	1.5
Technical Details .....	1.5
Types .....	1.5
<b>Chapter 2 Maintenance</b>	
Scope .....	2.3
Inspection .....	2.3
Tools .....	2.4
Removing And Replacing Backrest Canvas .....	2.7
Removing And Replacing An Armrest Assembly .....	2.9
Removing And Replacing Main Wheel Assemblies .....	2.11
Removing And Replacing A Brake Assembly .....	2.13
Removing And Replacing A Castor Wheel Assembly .....	2.15
Removing And Replacing An Adjustable Footrest Assembly .....	2.17
Removing And Replacing Seat Canvas .....	2.19
<b>Chapter 3 Illustrated Parts List</b>	
Backrest Assembly .....	3.7
Armrest Assembly .....	3.9
Rear Wheel Assemblies .....	3.11
Brake Assemblies .....	3.13
Castor Wheel Assemblies .....	3.15
Swinging Detachable Footrest Assembly .....	3.17
Seat Canvas Assembly .....	3.19

**Chapter 1**  
**Introduction**



Figure 1.0 Ben 9 Plus Wheelchair

## Introduction

- 1 This manual provides basic details to enable the BEN 9 Plus range of wheelchairs to be maintained. It is not intended to be a comprehensive maintenance guide/policy, but is intended for use by competent personnel to enable the chair to be adequately maintained.
- 2 The manual is split into the following chapters:
  - Chapter 2 Detailing assemblies that are maintainable and the relevant procedures.
  - Chapter 3 Detailing parts that are available to enable the maintenance in Chapter 2 to be complied with.
- 3 The BEN 9 range of wheelchair is manufactured by:

INVACARE Ltd  
South Road  
Bridgend Industrial Estate  
Bridgend  
Mid-Glamorgan  
CF31 3PY
- 4 For Customer Service enquires, repairs, servicing and spares, contact INVACARE Ltd at the address below and quote all the details as indicated in paragraphs 6 and 7.
- 5 INVACARE Ltd  
South Road  
Bridgend Industrial Estate  
Bridgend  
Mid-Glamorgan  
CF31 3PY  
  
Tel No: 01656 647327  
Fax No: 01656 649016
- 6 Quote the following details at all times:
  - 6.1 Part Number
  - 6.2 Description
  - 6.3 Quantity required
- 7 For certain orders the following should also be quoted:
  - 7.1 Serial or batch number
  - 7.2 End user



INV009A

Figure 1.0 Ben 9 Plus Wheelchair

## Policy

8 INVACARE Ltd. repair policy is as follows:

Repairs to ANY component other than those detailed in Chapter 2 are not covered. Repairs to ANY metal work is not generally permitted without express permission of INVACARE Ltd. ALL fasteners i.e. bolts, Nyloc nuts, and any fastener showing damage MUST be renewed.

Failure to comply with the above absolves INVACARE Ltd of liability.

☞ **Note:** Certain components will require removal to carry out maintenance. With the exception of fasteners, these components should be refitted.

## Technical Details

9 The following data applies to the Ben 9 range of wheelchairs.

9.1 Available seat sizes:

15 inches by 16 inches, 17 inches by 17 inches and 18 inches by 17 inches and 16 inches by 16 inches.

9.2 Seat to ground height:

19 inches.

9.3 Wheel types available:

12 1/2 inches transit with pneumatic or solid tyre. Located to frame.

9.4 Maximum user weight:

20 stones (127kgs)

9.5 Backrest type:

Folding backrest.

9.6 Chair finish:

Powder coat in red or black.

9.7 Transit weight of chair:

29lbs (13.2kgs).

## Types

### Options

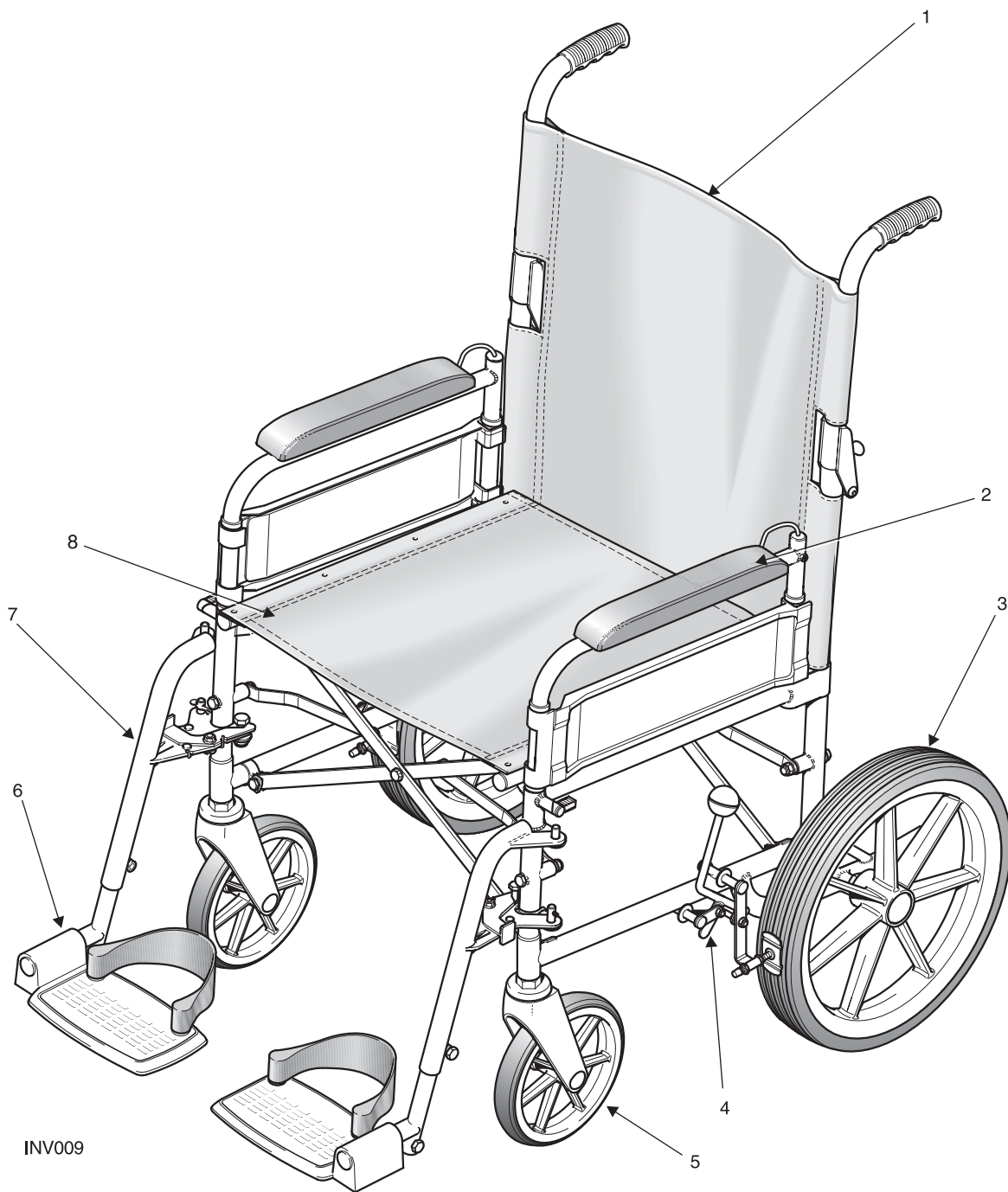
10 The chair is available in various user defined optional types. For further details refer to INVACARE Ltd for details and acceptable combinations.

LEFT BLANK INTENTIONALLY



# Chapter 2

## Maintenance



INV009

- |   |                  |   |                           |
|---|------------------|---|---------------------------|
| 1 | Backrest canvas  | 5 | Castor assembly           |
| 2 | Armrest assembly | 6 | Footplate assembly        |
| 3 | Rear wheels      | 7 | Swinging bracket assembly |
| 4 | Brake assembly   | 8 | Seat canvas               |

**Figure 2.0.1 General Arrangement of Ben 9 Plus**

## Scope

1 This chapter details the removal and/or replacement procedures required for the following assemblies and/or items. It is not intended to be a strict policy of maintenance but should be used as a guide only.

2 The assemblies covered (refer to Fig 2.0.1) are as follows:

Section	Assembly	Page
2.1	Backrest	2.6
2.2	Armrest	2.8
2.3	Rear wheels (12 1/2 inches)	2.10
2.4	Brake assembly	2.14
2.5	Removing and replacing a castor assembly	2.16
2.6	Adjustable footrest	2.18
2.7	Seat canvas	2.20

3 For the tools required refer to the list of tools detailed in paragraph 12. Any special tooling and/or torque requirements will be referred to within the relevant text.

4 General engineering practices and safe working practices must be adhered to at all times.

5 For further information on the assemblies contained within this chapter, contact Customer Services, INVACARE Ltd., (refer to address in chapter 1) quoting the following details:

5.1 Part Number

5.2 Description

5.3 Quantity required

6 For certain orders the following should also be quoted:

6.1 Serial or batch number

6.2 End user

7 For any ordering or spares procurement, contact INVACARE Ltd., (refer to address in Chapter 1) quoting the details in paragraphs 5 and 6.

## Inspection

8 In general, a weekly visual check will meet all the inspection requirements.

9 Ensure that the following are checked:

9.1 Fabric is undamaged and has no signs of sagging.

9.2 The footrest is correctly fitted.

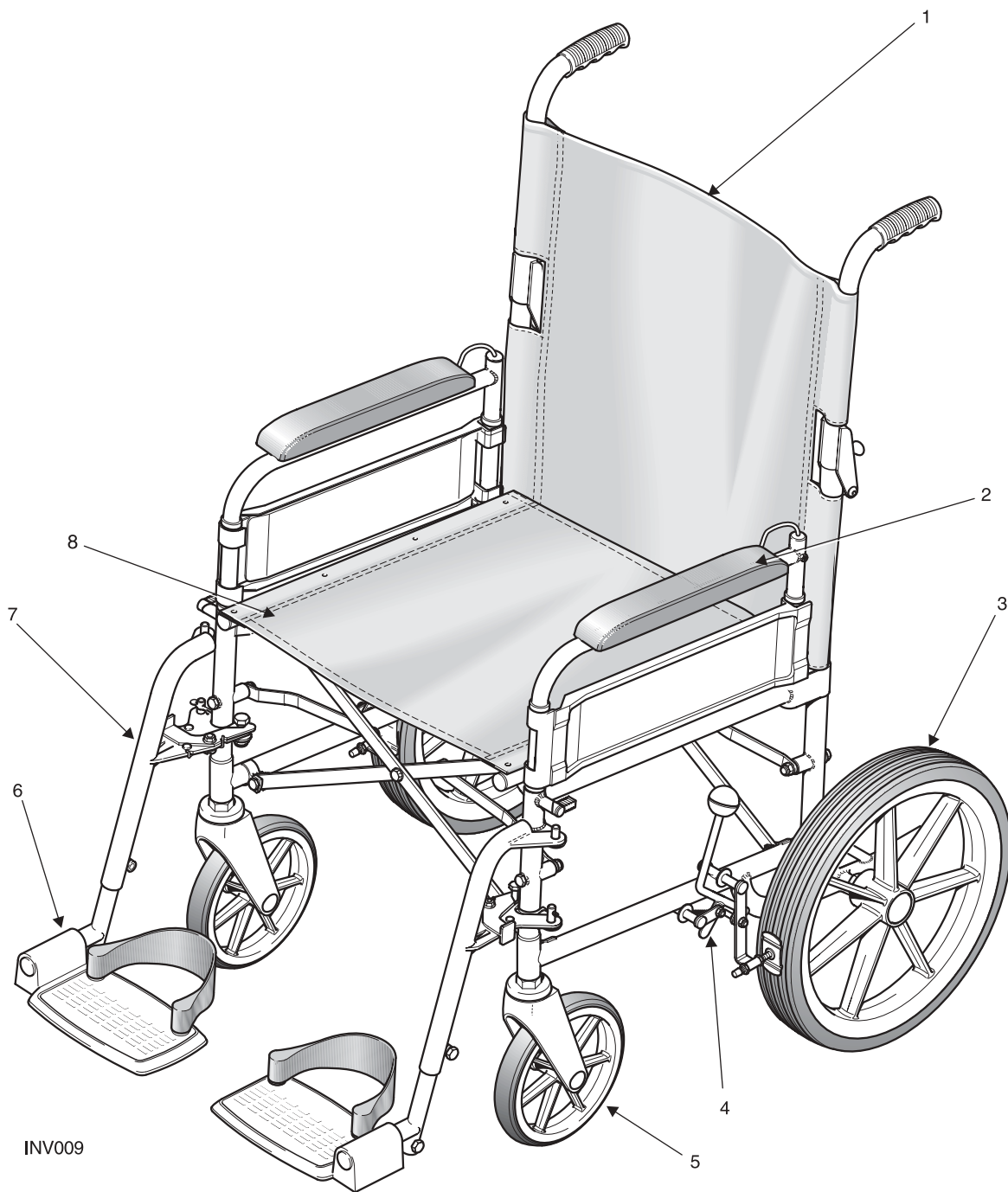
9.3 Both armrests are securely fitted in place.

9.4 Brake mechanism operates freely and when locked, the chair does not move.

9.5 Footplates are undamaged and are correctly fitted.

9.6 Tyres are in good order and the wheels are not damaged.

9.7 If stabilisers are fitted, they are firmly locked in place.



INV009

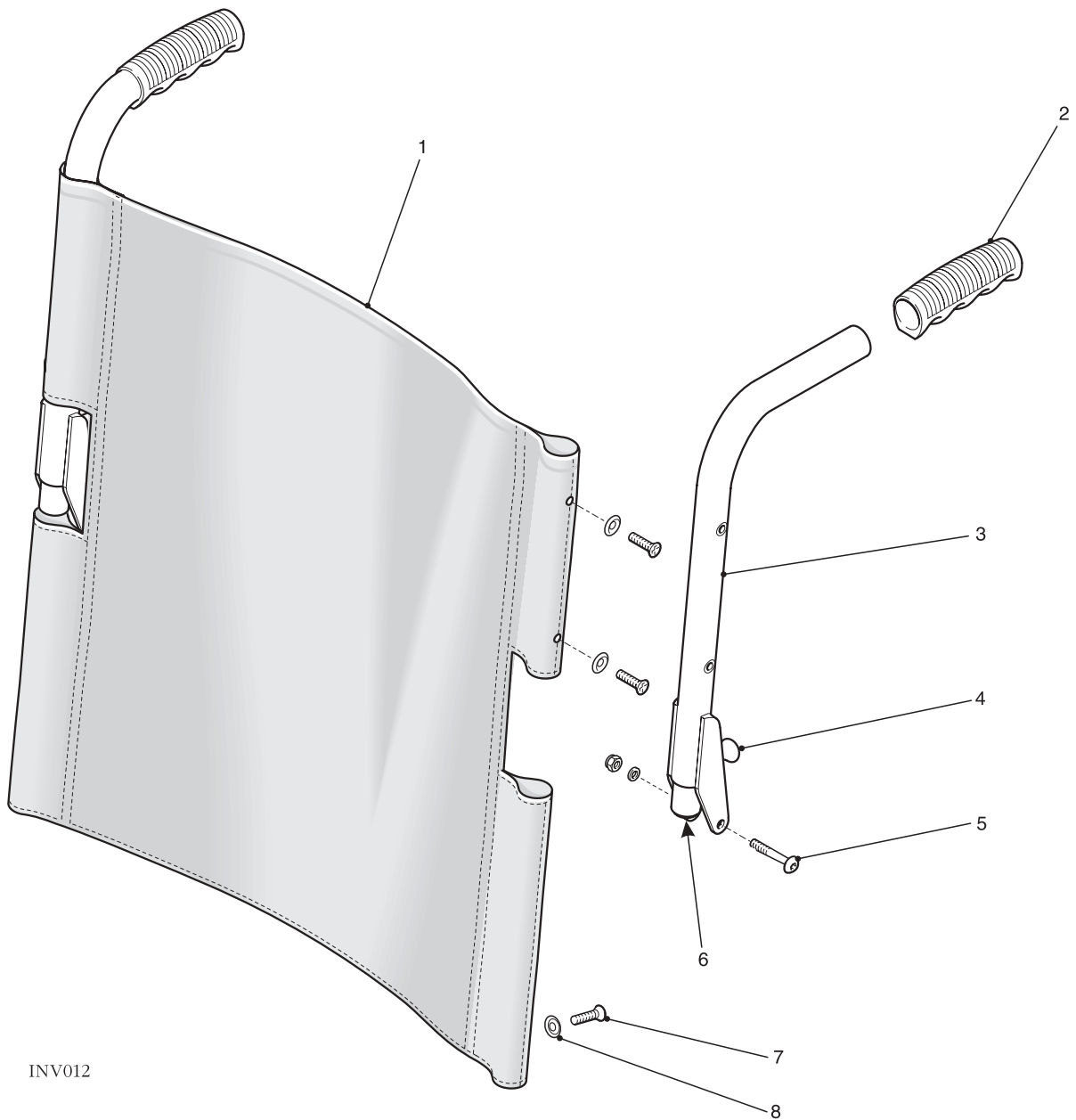
- |   |                  |   |                           |
|---|------------------|---|---------------------------|
| 1 | Backrest canvas  | 5 | Castor assembly           |
| 2 | Armrest assembly | 6 | Footplate assembly        |
| 3 | Rear wheels      | 7 | Swinging bracket assembly |
| 4 | Brake assembly   | 8 | Seat canvas               |

Figure 2.0.1 General Arrangement of Ben 9 Plus

- 10 Check the finish of the chair for any damage.
  - ☞ **Note:** Some finishes are unique to the chair. Check with INVACARE Ltd for details.
- 11 Check that all bungs and handgrips are fitted and undamaged.
- 12 Before reassembly of any components, the following examination should be carried out:
  - 12.1 All brazed joints should be examined and any damaged component should be replaced.
  - 12.2 All plated parts should be checked to ensure that surfaces are free from wear, damage or oxidation.
  - 12.3 All Nyloc nuts should be replaced after removal.

## Tools

- 13 The following list details the basic tools required to carry out the maintenance given in the following sub-chapters.
  - 13.1 Pliers
  - 13.2 Socket set (Metric and Imperial)
  - 13.3 Spanners (Metric and Imperial)
  - 13.4 Pozidriv screwdriver
  - 13.5 Slotted screwdriver
  - 13.6 Adjustable spanner
  - 13.7 Torque wrench (20 to 40 lbf.ft rating)
  - 13.8 Set of Allen keys (Metric and Imperial)
  - 13.9 Protected jaw grips
  - 13.10 Nylon mallet
  - 13.11 Pop rivet gun
  - 13.12 Nut insert application tool
  - 13.13 Rule
  - ☞ **Note:** The above list is not exhaustive.



INV012

- |   |                 |   |                   |
|---|-----------------|---|-------------------|
| 1 | Backrest canvas | 5 | Pivot bolt        |
| 2 | Hand grips      | 6 | Plunger           |
| 3 | Push handles    | 7 | Countersunk screw |
| 4 | Plunger knob    | 8 | Cup washer        |

Figure 2.1 Folding Backrest Assembly

## 2.1 Removing And Replacing The Backrest Canvas

### General

- 1 Check the backrest canvas (1) and push handles (3) for any defects, (refer to paragraphs 4 and 5). If any defects are observed then refer to paragraphs 6 to 7 for maintenance details and to Chapter 3 for parts information.
- 2 Ensure that the push handle locks securely into place and that the locking mechanism functions correctly.

### Tools

- 3 Refer to the tool list at the beginning of this Chapter.

### Inspection

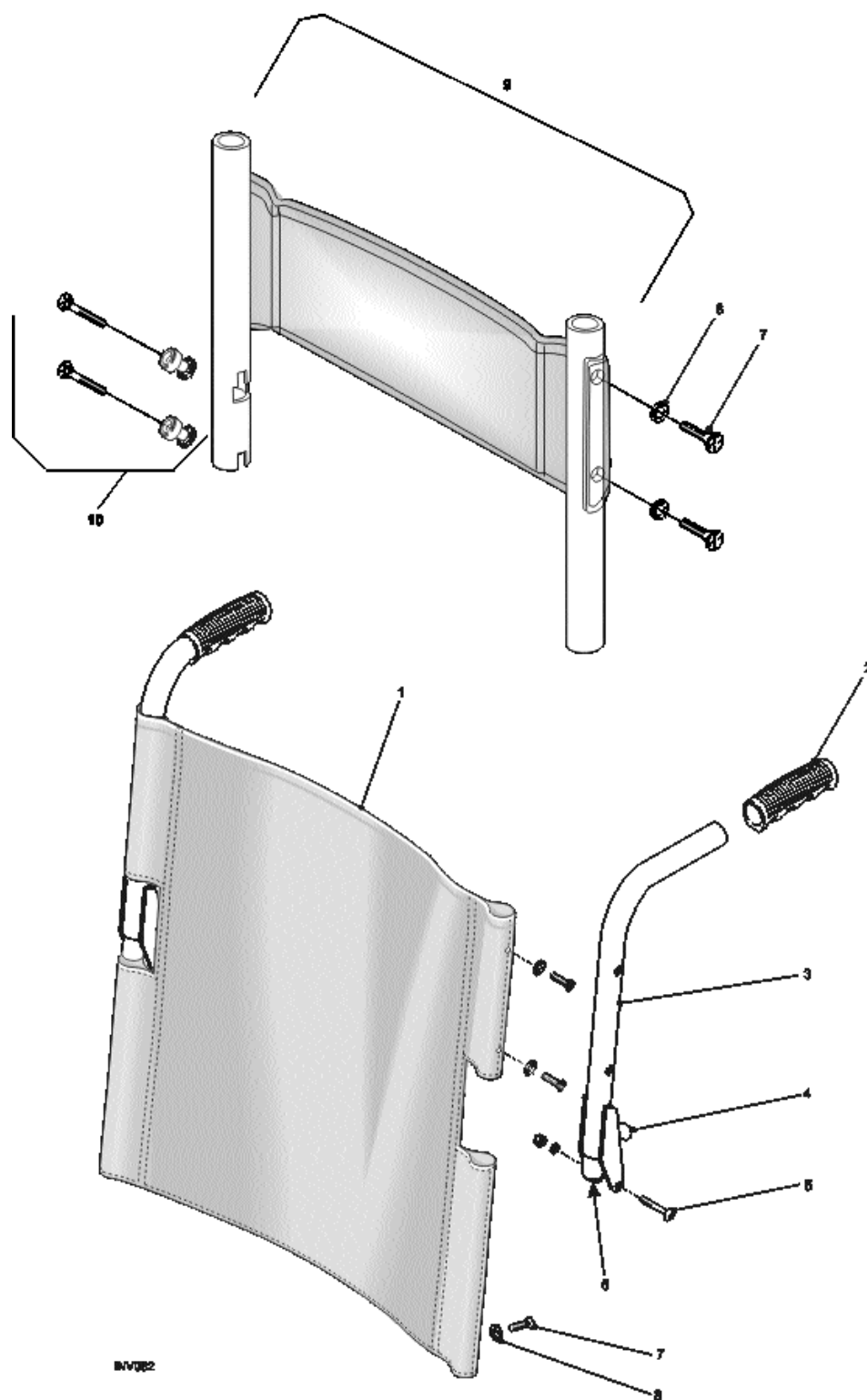
- 4 Inspect on a weekly basis for the following:
  - 4.1 No signs of sagging, stretching or excessive wear in the canvas (1).
  - 4.2 No evidence of fraying, especially around the fastener points.
  - 4.3 Pozidriv head screws (5) not missing..
  - 4.4 Cup washers not missing.
- 5 Inspect the locking mechanism for the following:
  - 5.1 Release levers are not deformed or damaged.
  - 5.2 Locks safely when the push handle (3) is in the upright position.
  - 5.3 Not excessively stiff to operate (action should be smooth and positive).

### Removal of the backrest canvas

- 6 To remove or replace the backrest canvas (1) proceed as follows:
  - 6.1 Unscrew and remove the six pozidriv head countersunk screws (7) and cup washers (8).
  - 6.2 Unscrew and remove the two button head pivot bolts (5), Nyloc nuts and washers.
  - 6.3 Hold the push handle (3), and slide the lower half of the backrest canvas (1) off.
  - 6.4 Remove plunger (4) and plunger knob (6).
  - 6.5 Hold the backrest canvas and slide the push handle out.

### Replacing the backrest canvas

- 7 To replace the backrest canvas is the reverse of the removal, however ensure the following:
  - 7.1 New Nyloc nuts are fitted.
  - 7.2 The securing points are undamaged.
  - 7.3 New washers are fitted as required.
  - 7.4 That the backrest canvas is stretched evenly and is taut.



- |   |                 |    |                    |
|---|-----------------|----|--------------------|
| 1 | Backrest canvas | 6  | Plunger            |
| 2 | Hand grips      | 7  | Countersunk screw  |
| 3 | Push handles    | 8  | Cup washer         |
| 4 | Plunger knob    | 9  | Backrest extension |
| 5 | Pivot bolt      | 10 | Locating ring kit  |

**Figure 2.1.1 Backrest Extension Assembly**



## 2.1.1 Removing And Replacing A Backrest Extension

### General

- 1 Check backrest extension for any defects (refer to paragraph 3). If any defects are observed then refer to paragraphs 4 to 6 for maintenance details and to Spares Catalogue for parts information.

### Tools

- 2 Refer to the tool list at the beginning of this Chapter.

### Inspection

- 3 Check for the following:
  - 3.1 Damage to backrest extension canvas.
  - 3.2 Screws (7), washer (8) and locating ring (10) missing and/or damaged.
  - 3.3 Backrest extension is correctly fitted.

### Removing Backrest Extension

- 4 To remove backrest extension proceed as follows:
  - 4.1 Lift the backrest extension upwards and then sideways off the locating rings (10).

### Replacing The Backrest Extension

- 5 Replacing the backrest extension is the reverse of the removal.

### Fitting a Backrest Extension for the first time

- 6 Fitting a Backrest Extension for the first time, proceed as follows:
  - 6.1 Remove taptite screw (7) and washer (8) from top of push handle.
  - 6.2 Fit four locating rings (10) with taptite screws (7) to side of push handles (3).
  - 6.3 Slide the backrest extension firmly onto the locating rings (10).

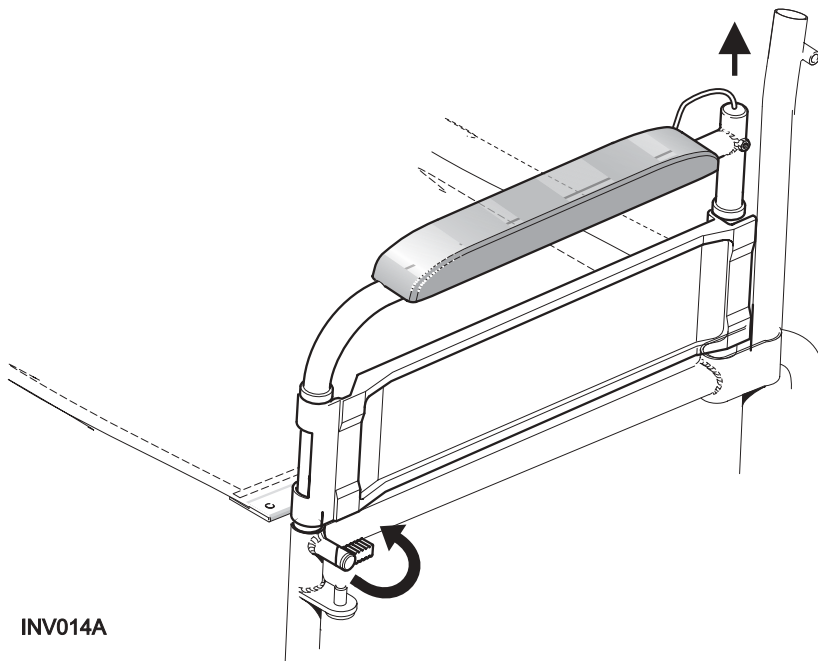
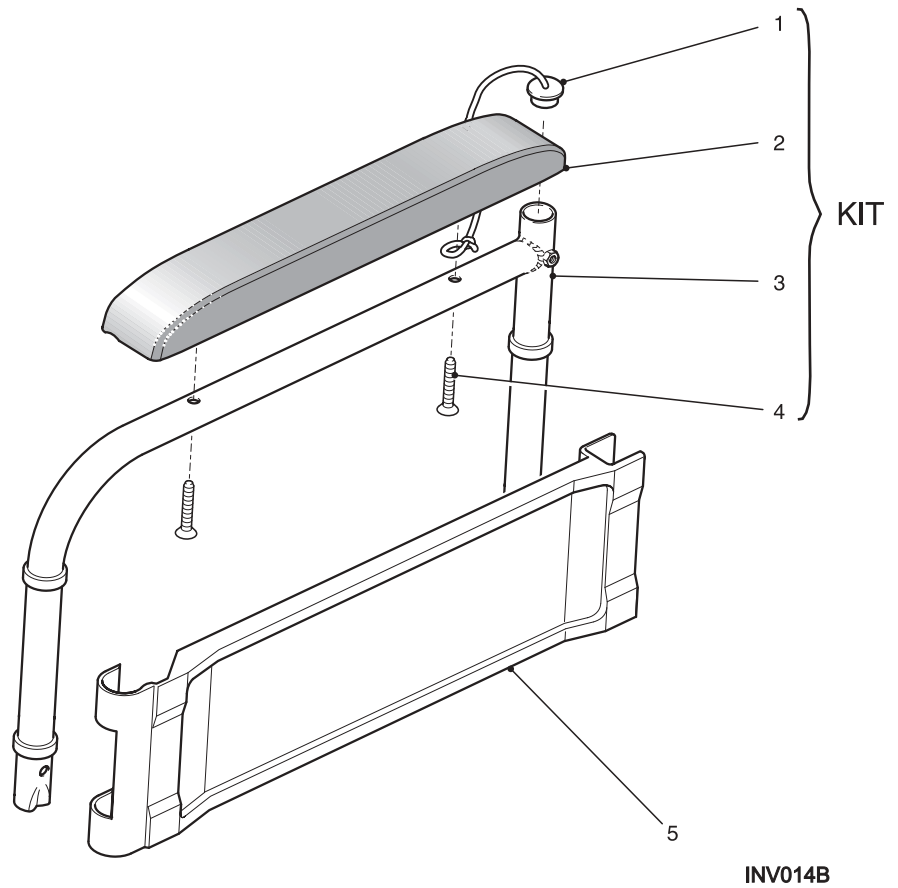


Figure 2.2 (a)



- 1 Sealing plug
- 2 Armrest pad
- 3 Armrest frame

- 4 Pozidriv head screw
- 5 Armrest panel

Figure 2.2 Armrest Assembly

## 2.2 Removing And Replacing An Armrest Assembly

### General

☞ **Note:** The armrest assembly comprises the following:

The armrest pad (2), panel (5) and frame (3).

- 1 Check the armrest pad (2) and frame (3) for any defects (refer to paragraph 4). If any defects are observed then refer to paragraphs 5 to 7 for maintenance details and to Chapter 3 for parts information.
- 2 The armrest can be renewed as either:
  - 2.1 A complete assembly.
  - 2.2 Armpad kit (KIT 1).

### Tools

- 3 Refer to the tool list at the beginning of this Chapter.

### Inspection

- 4 Inspect on a weekly basis for the following:
  - 4.1 Frame (3), panel (5) and finish are undamaged.
  - 4.2 Armrest pad (2) is undamaged and securely fastened in place.

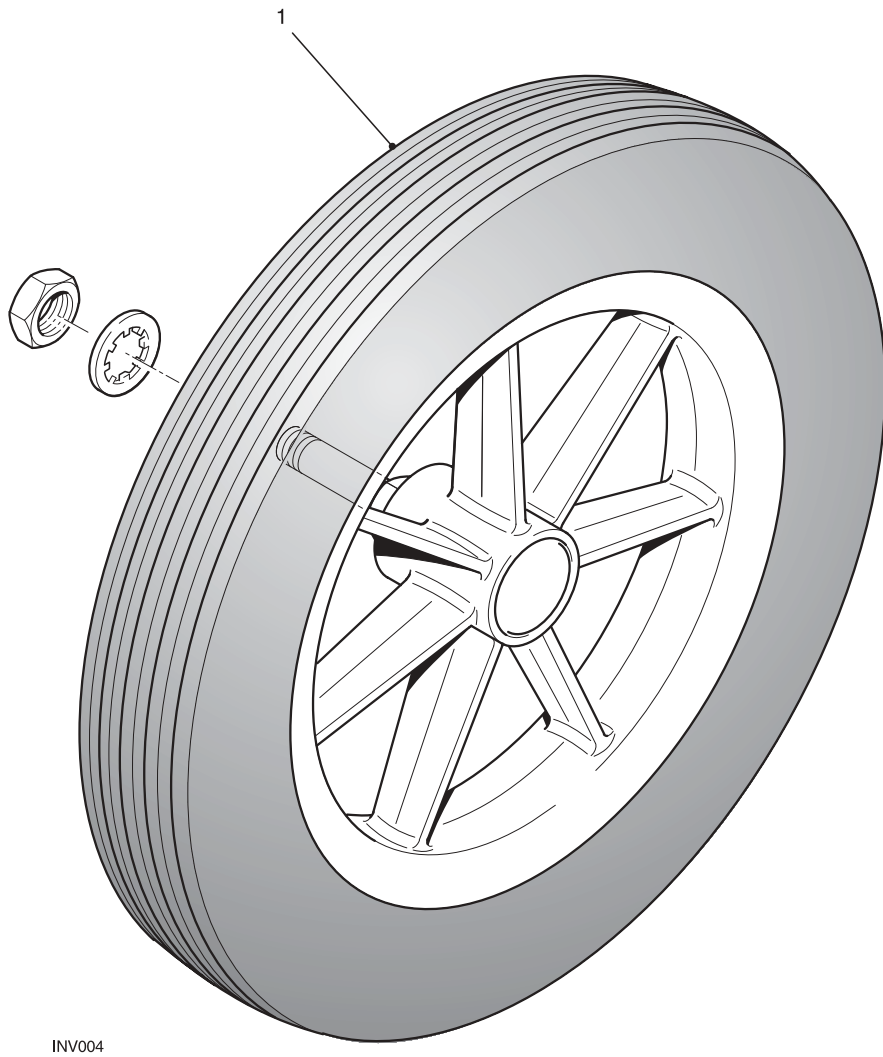
### Repairing An Armrest Assembly

☞ **Note:** For ease of maintenance the armrest assembly can be replaced as a complete assembly. For removal refer to Figure 2.2 (a).

- 5 To repair the armrest assembly remove it from the wheelchair by turning the release lever and proceed as follows:
  - 5.1 Support the frame (3) using a soft jawed vice.
- 6 Removing the armrest pad (2).
  - 6.1 Unscrew and remove the two pozidriv screws (4).
  - 6.2 Remove the armrest pad from the frame.
- 7 Removing a panel (5).
  - 7.1 The armrest panel (5) of the armrest is a snap fit onto the armrest frame and can be removed by holding the armrest frame (3) firmly whilst pushing the panel forwards.

### Replacing Armrest Components

- 8 To replace any of the components of the armrest is the reverse of the removal; however ensure the following:
  - 8.1 The panel (5) is flush fitting to the frame (3).
  - 8.2 Sealing plug (1) are undamaged when replaced.



- 1 Wheel assembly

**Figure 2.3 Rear Wheel Assembly - Transit**

## 2.3 Removing And Replacing Rear Wheel Assemblies

### General

- 1 The Ben 9 range of wheelchairs can be fitted with the following wheel types:
  - (a) 12 1/2 inch solid Transit style
  - (b) 12 1/2 inch pneumatic Transit style
  
- 2 Check the wheel assembly for any defects (refer to paragraph 5). If any defects are observed then refer to paragraphs 6 to 11 for maintenance details and to Chapter 3 for parts.
  
- 3 The rear wheel assembly can be renewed as either:
  - 3.1 A complete assembly.
  - 3.2 Replacement tyre and inner tube (if pneumatic).

### Tools

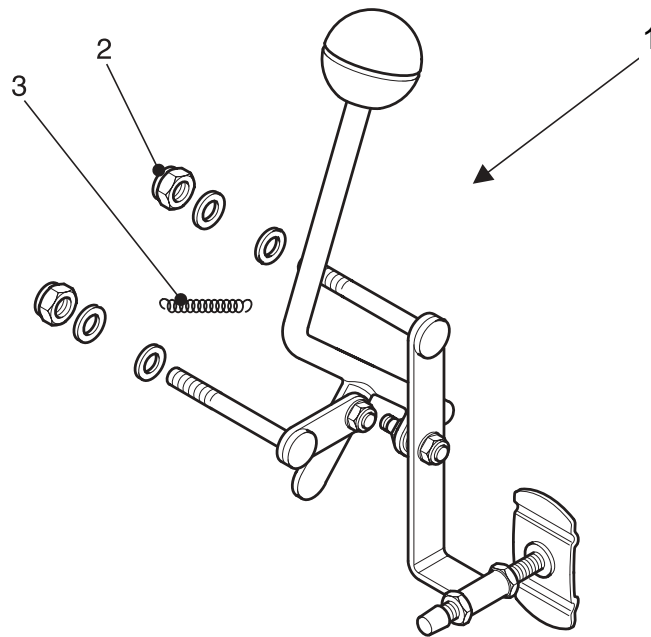
- 4 Refer to the tool list at the beginning of this Chapter.
  - 4.1 A torque wrench of 25 lbf.ft rating is required.

### Inspection

- 5 Inspect on a weekly basis for the following:
  - 5.1 Damage to either wheel or tyre.
  - 5.2 When the wheel assembly is allowed to free wheel that no binding, grating noise or unconcentric rotation are present.
  - 5.3 Wheel rim and spokes are undamaged.

### Removing A Transit Wheel Assembly

- 6 To remove a transit wheel (1) (refer to Fig 2.3) proceed as follows:
  - 6.1 Raise and support the chair so the damaged wheel is free of the ground.
  - 6.2 Using a suitable size spanner grip the nut located behind the wheel hub.
  - 6.3 Using the torque wrench, unscrew and remove the locknut.
  - 6.4 Slide the wheel free from its location on the frame.



INV001

- 1 Brake assembly
- 2 Nyloc Nut
- 3 Brake Spring

Figure 2.4 Brake Assembly

## 2.4 Removing And Replacing A Brake Assembly

### General

☞ **Note:** The brake assembly is handed, ensure that if both assemblies are removed that the correct assembly is fitted to the correct side.

- 1 Check the brake assembly for any defects (refer to paragraph 4). If any defects are observed then refer to paragraphs 5 to 6 for maintenance details and to Chapter 3 for parts information.
- 2 It is not intended that any other part is maintainable.

### Tools

- 3 Refer to the tool list at the beginning of this Chapter.

### Inspection

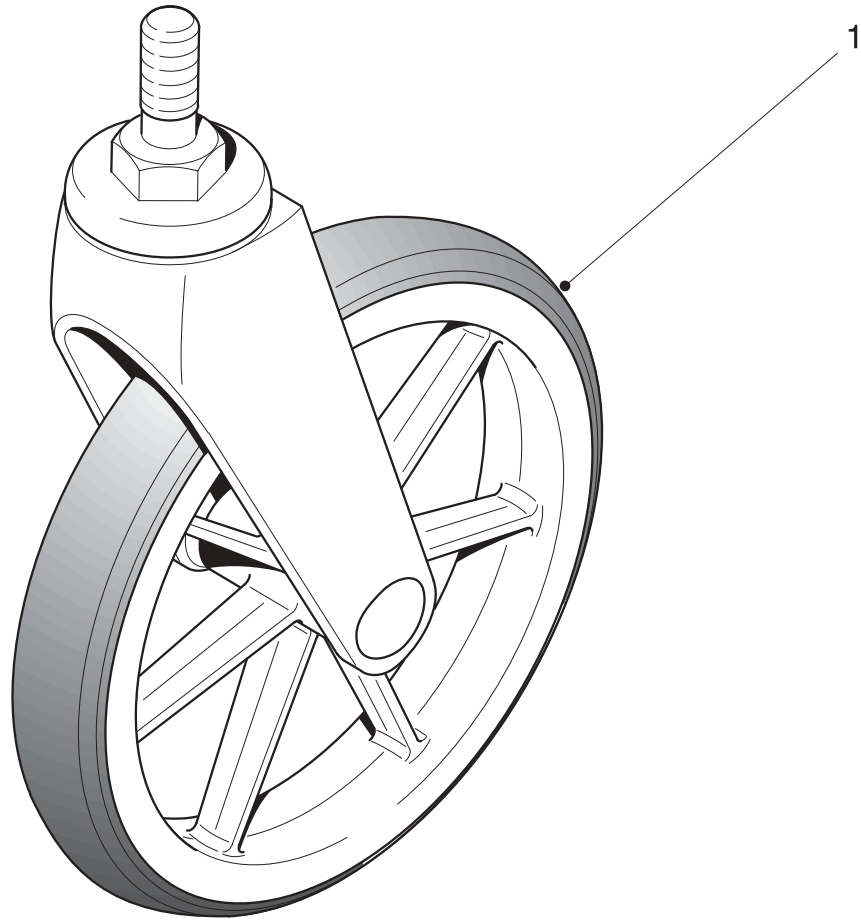
- 4 Check the following daily:
  - 4.1 Brake assembly fully locks and the chair is unable to move.
  - 4.2 Brake action is positive and is not stiff.

### Removing A Brake assembly

- ☞ **Note:** (a) For ease of maintenance the brake assembly can be removed as a complete assembly.  
(b) Note the position of the brake assembly.  
(b) The following procedure applies to any brake assembly.
- 5 To remove the brake assembly proceed as follows:
    - 5.1 Ensure that brake assembly is in the unlocked position.
    - 5.2 Support the brake assembly and unscrew the nyloc nuts (2) fastening the brake assembly to the chair frame.
    - 5.3 Unclip and remove the brake spring (3).
    - 5.4 Remove the brake assembly (1) from its location.

### Replacing A Brake Assembly

- 6 To replace a brake assembly is the reverse of the removal.



INV007

- 1 Castor assembly

Figure 2.5 Castor Wheel Assembly



## 2.5 Removing And Replacing A Castor Wheel Assembly

### General

- 1 Check the castor wheel assembly for any defects (refer to paragraph 4). If any defects are observed then refer to paragraphs 5 to 8 for maintenance details and to Chapter 3 for parts information.
- 2 It is not intended that any other part is maintainable.

### Tools

- 3 Refer to the tool list at the beginning of this Chapter.

### Inspection

- 4 Check the following:
  - 4.1 Castor fork is undamaged.
  - 4.2 Tyre is not cracked or excessively worn.
  - 4.3 Castor wheel rotates freely when lifted clear of the ground and spun.
  - 4.4 The tyre is firmly fitted and concentric within the rim.

### Removing A Castor Wheel Assembly

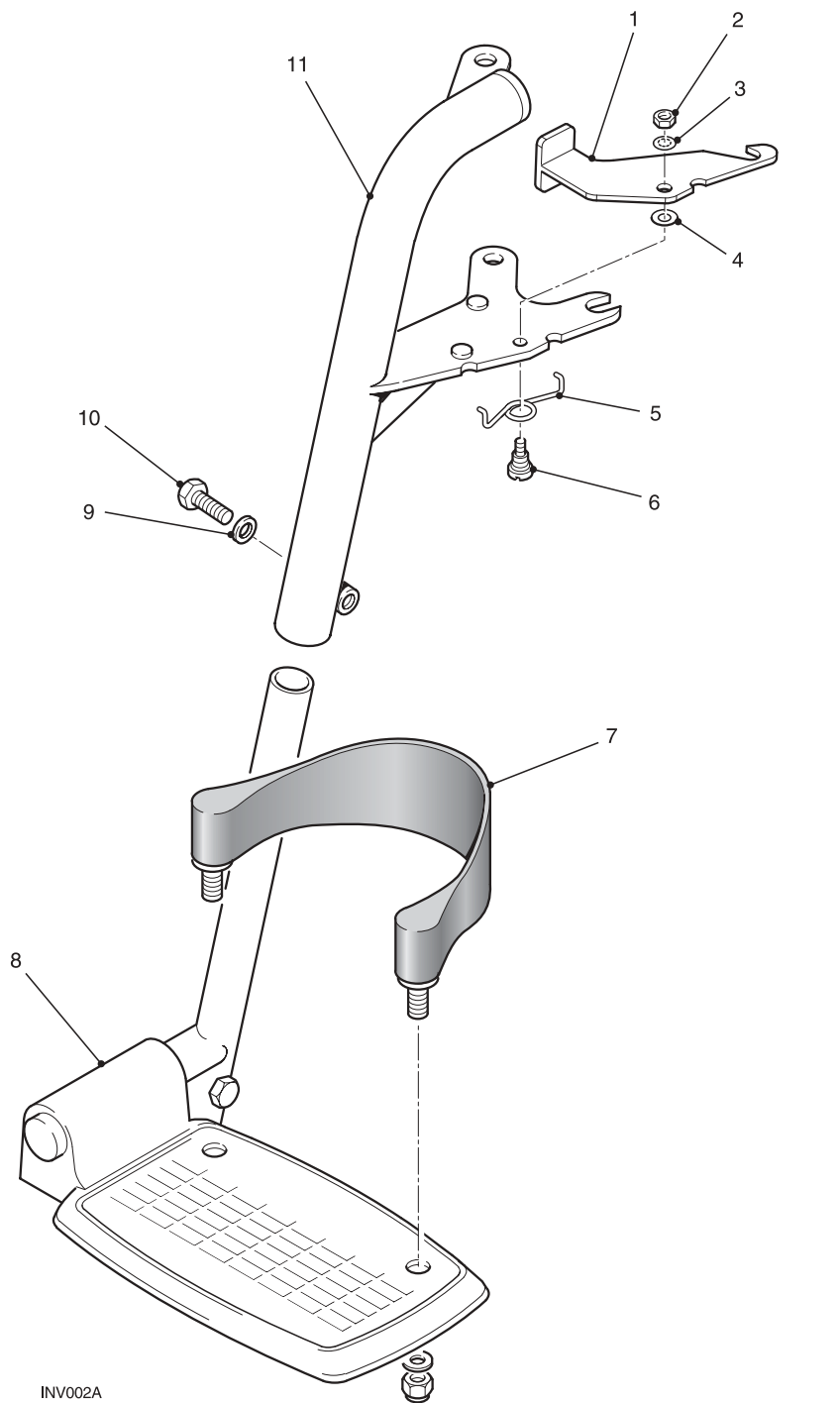
- 5 To remove the castor wheel assembly proceed as follows:
  - 5.1 Raise and support the front of the chair.
  - 5.2 Using a torque wrench unscrew the castor wheel until the castor assembly releases from its location.
  - 5.3 Remove the castor wheel assembly.
  - 5.4 Check that the castor wheel location is undamaged and clean.

### Replacing A Castor Wheel Assembly



**CAUTION:** Apply Loctite 242 to the thread of the castor wheel shaft and ensure that the castor wheel is tightened using the fork nut to a torque of 30 lbf.ft.

- 6 Replacing the castor wheel assembly is the reverse of the removal; ensure the following:
  - 6.1 It is firmly located and secure.
  - 6.2 Freely to rotate through 360 degrees.
  - 6.3 Is undamaged.
- 7 Once correctly fitted, remove the support and allow the chair to sit on all four wheels. Check that it functions correctly.



- |   |             |    |                           |
|---|-------------|----|---------------------------|
| 1 | Latch plate | 6  | Shouldered bolt           |
| 2 | Nut         | 7  | Heel loop assembly        |
| 3 | Washer      | 8  | Foot plate                |
| 4 | Shim        | 9  | Washer                    |
| 5 | Spring      | 10 | Bolt                      |
|   |             | 11 | Footrest bracket assembly |

**Figure 2.6 Swinging/Detachable Footrest Assembly**

## 2.6 Removing And Replacing An Adjustable Footrest Assembly

### General

- 1 Check the adjustable footrest assembly for any defects (refer to paragraph 3). If any defects are observed then refer to paragraphs 5 to 9 for maintenance details and to Chapter 3 for parts information.

### Tools

- 2 Refer to the tool list at the beginning of this Chapter.

### Inspection

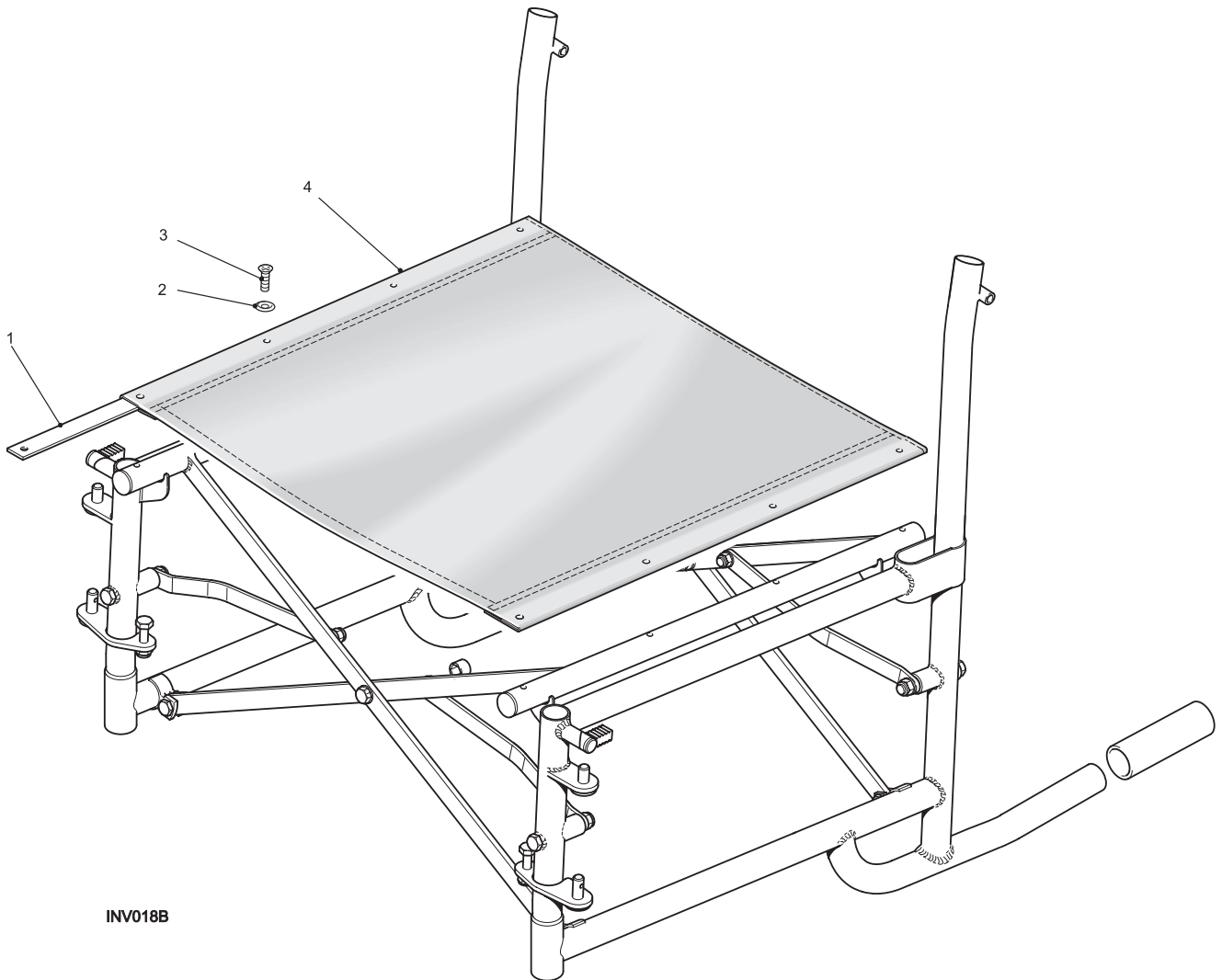
- 3 Check the following:
  - 3.1 Footplate (Fig 2.6 (8)) is undamaged, fitted securely to the Stem Tube assembly, swivels up and down smoothly and is effectively supported in horizontal.
  - 3.2 Heel Sling assembly (7) is undamaged and securely fastened to the Footplate (8).
  - 3.3 Latching mechanism (1) functions correctly and the footrest assembly locks securely in place.
  - 3.4 Stem Tube assembly is undamaged.
  - 3.5 Locating holes and Lugs are free from damage.
- 4 Any defects to the above will require the assembly to be repaired.

### Removing A Swing/Detachable Footrest Assembly

- 5 To remove the swing/detachable footrest assembly proceed as follows:
  - 5.1 Operate the latching mechanism and allow the footrest assembly to rotate away from the frame.
  - 5.2 Lift the swing/detachable footrest assembly free of the locating lugs.

### Replacing A Swing/Detachable Footrest Assembly

- 6 Replacing any component previously mentioned is the reverse of the removal.



- 1 Reinforcing bar
- 2 Cup washer

- 3 Countersunk screw
- 4 Seat canvas

Figure 2.7 Seat Canvas Assembly

## 2.7 Removing And Replacing Seat Canvas

### General

- 1 Check the seat canvas (4) for any defects (refer to paragraph 3). If any defects are observed then refer to paragraphs 5 to 6 for maintenance details and to Chapter 3 for parts information.

### Tools

- 2 Refer to the tool list at the beginning of this Chapter.


### Inspection

- 3 Check for the following:
  - 3.1 Damage to seat canvas (4).
  - 3.2 Sagging.
  - 3.3 Reinforcing bar missing and/or damaged.
- 4 Generally replace and/or tighten any screws (3) or cup washers (2) that are missing/damaged.

### Removing The Seat Canvas

- 5 To remove the seat canvas (4) proceed as follows:
  - 5.1 Unscrew and remove the countersunk head screws (3) and cup washers (2).

### Replacing The Seat Canvas

 **Note:** Check the order for the correct seat canvas size.

- 6 Replacing the seat canvas is the reverse of the removal, refer to Chapter 3 for parts information.

LEFT BLANK INTENTIONALLY

# Chapter 3

## Illustrated Parts List

LEFT BLANK INTENTIONALLY




## General

- 1 This chapter has been split into sections which correspond to the sections in Chapter 2.
- 2 Refer to the general assembly Figure 3.0 for location of the assemblies covered by the following sections:

Section	Assembly	Pages
3.1	Backrest Assembly	6-7
3.2	Armrest Assembly	8-9
3.3	Rear Wheel Assemblies	10-11
3.4	Brake Assemblies	12-13
3.5	Castor Wheel Assemblies	14-15
3.6	Swinging Detachable Footrest Assembly	16-17
3.7	Seat Canvas Assembly	18-19

- 3 Each section contains the following information in table format:

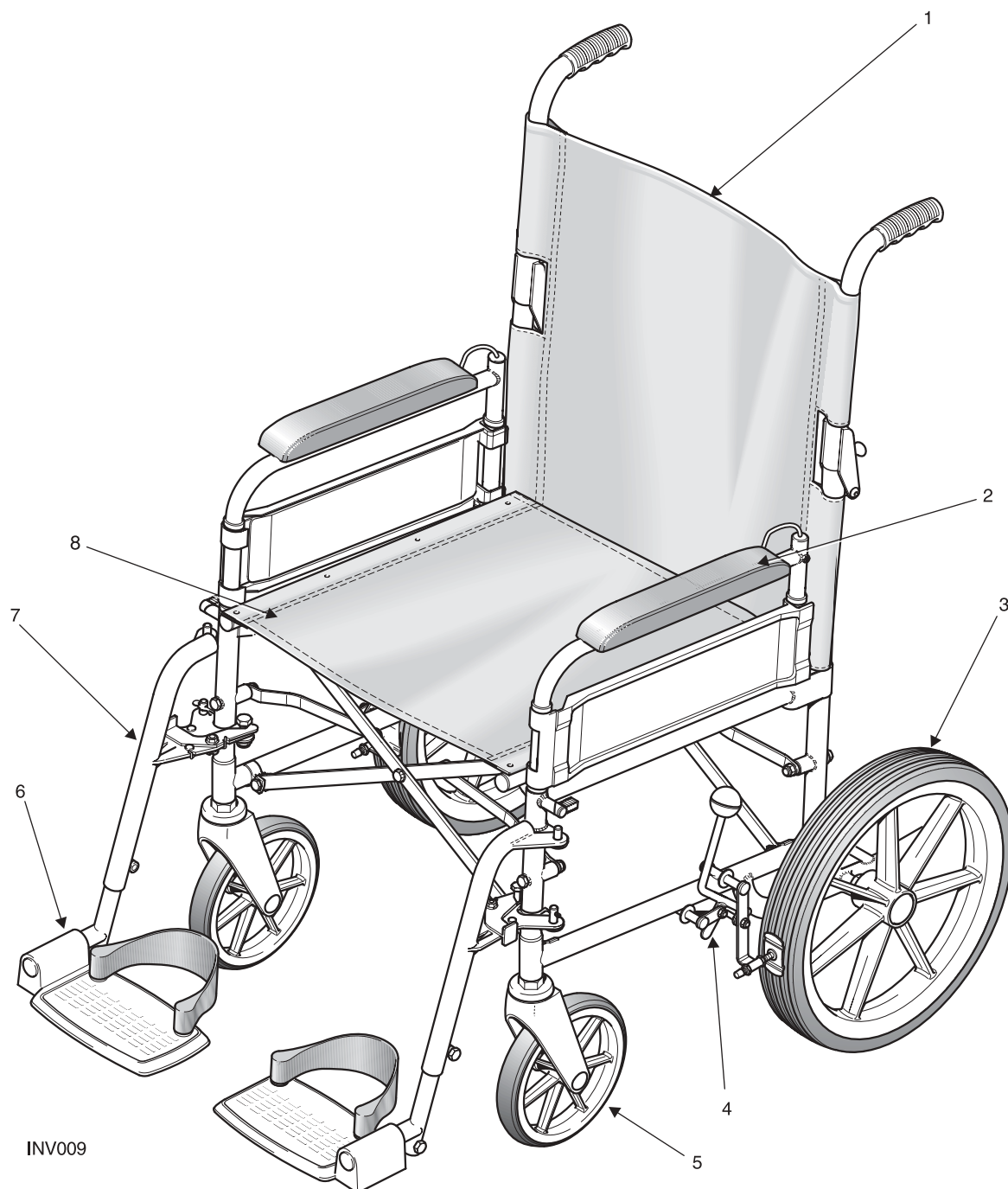
- 3.1 Fig/Item reference number
- 3.2 Part Number
- 3.3 Description

 **Note:** The following references are used:

- NI When an assembly or component is not illustrated.

## Ordering Information

- 4 To order components or parts information from the relevant address, refer to Chapter 1. Always quote the following:
  - 4.1 Part Number
  - 4.2 Description
- 5 For certain orders the following should also be quoted
  - 5.1 Serial or batch number
  - 5.2 End user



INV009

Figure 3.0 General Arrangement

## General Arrangement

Item	Part Number	Description
1		Backrest Assembly
2		Armrest Assembly - LH
NI		Armrest Assembly - RH
3		Main Wheels (Dependant on order)
4		Brake Assembly - LH
NI		Brake Assembly - RH
5		Castor Assembly - LH
NI		Castor Assembly - RH
6		Footplate Assembly - RH
NI		Footplate Assembly - LH
7		Swinging Bracket Assembly - RH
NI		Swinging Bracket Assembly - LH
8		Seat Canvas (Dependant on chair size)

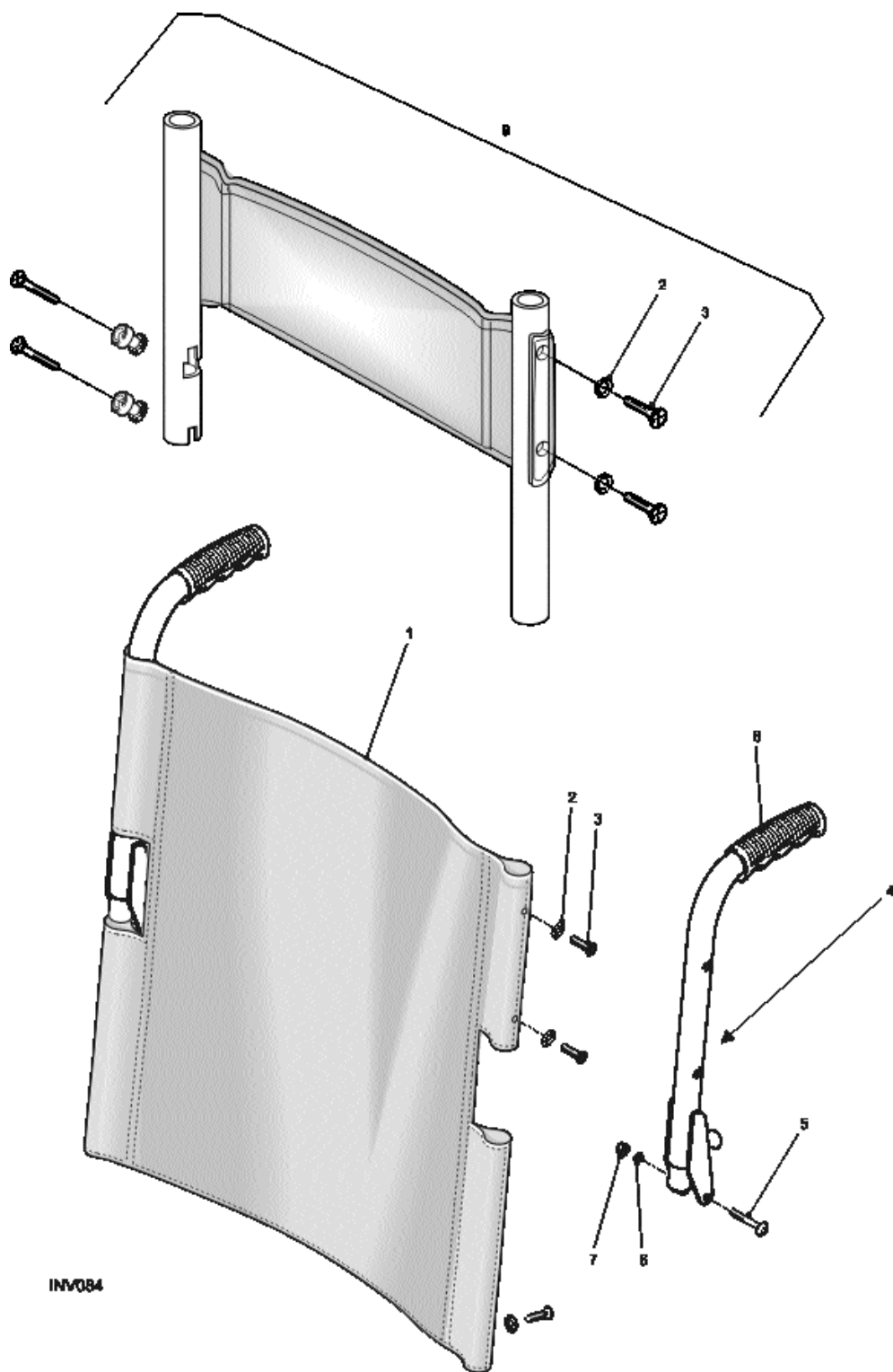
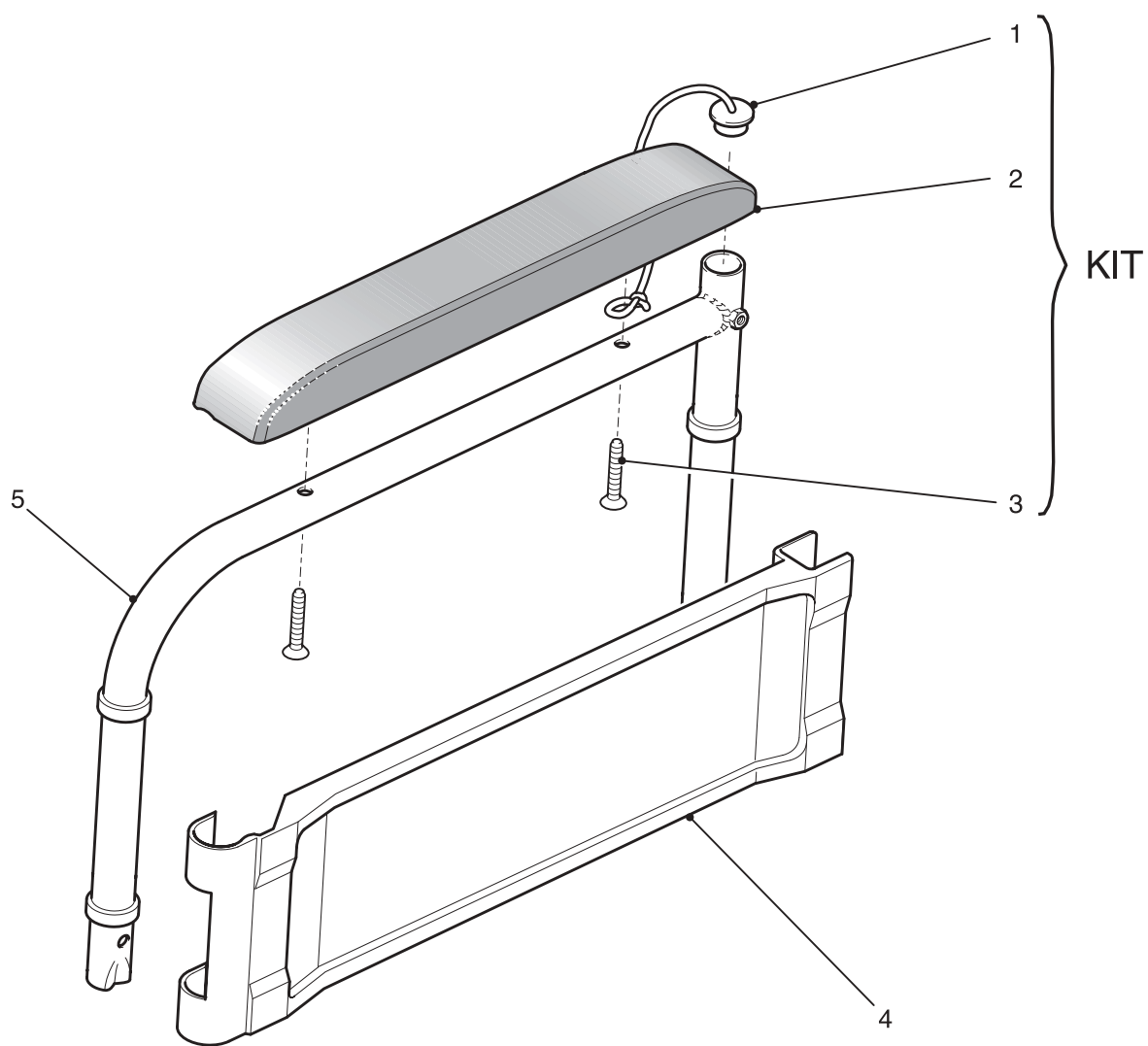


Figure 3.1 Backrest Assembly

## Backrest Assembly

Item	Part Number	Description
NI	SKA2290KIT	15" W/R Back Canvas Assembly - incl. items 2 and 3
NI	SKA2347KIT	16" W/R Back Canvas Assembly - incl. items 2 and 3
1	9000/41KIT	17" W/R Back Canvas Assembly - incl. items 2 and 3
NI	SKA2324KIT	18" W/R Back Canvas Assembly - incl. items 2 and 3
NI	SKA2290PKIT	15" W/R Padded Back Canvas Assembly - incl. items 2 and 3
NI	SKA2347PKIT	16" W/R Padded Back Canvas Assembly - incl. items 2 and 3
NI	SKA1331PKIT	17" W/R Padded Back Canvas Assembly - incl. items 2 and 3
NI	SKA1734PKIT	18" W/R Padded Back Canvas Assembly - incl. items 2 and 3
4	9000/18BLKKIT	Push Handle Kit, Black - LH - incl. items 5 to 8
NI	9000/18REDKIT	Push Handle Kit, Red - LH - incl. items 5 to 8
NI	9000/16BLKKIT	Push Handle Kit, Black - RH - incl. items 5 to 8
NI	9000/16 REDKIT	Push Handle Kit, Red - RH - incl. items 5 to 8
9	9503/50B/EVA	15" W x 9" High Backrest Extension Assembly
NI	9514/50B/EVA	16" W x 9" High Backrest Extension Assembly
NI	9003/50B/EVA	17" W x 9" High Backrest Extension Assembly
NI	9018/50B/EVA	18" W x 9" High Backrest Extension Assembly

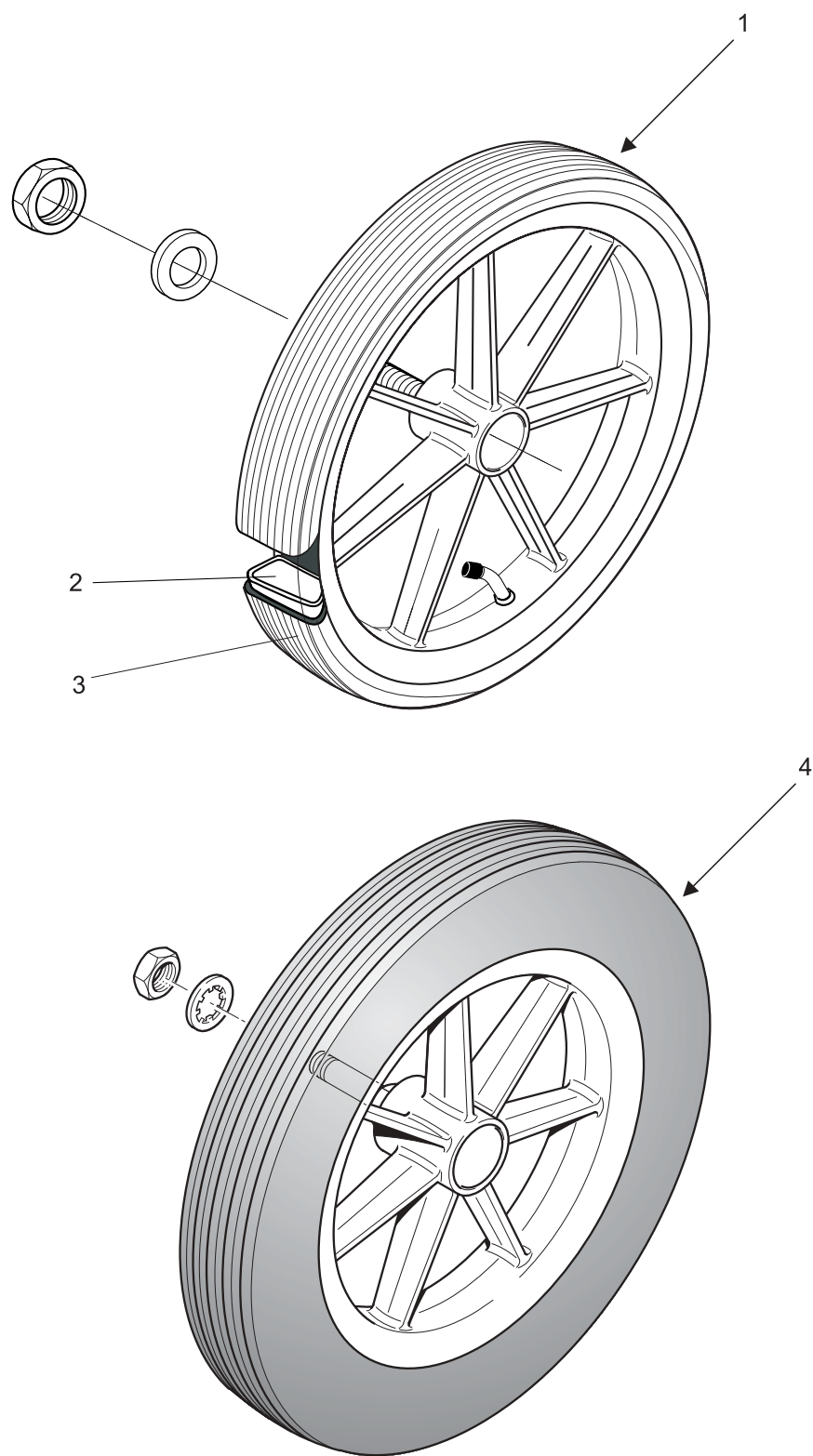


INV014

Figure 3.2 Armrest Assembly

## Armrest Assembly

Item	Part Number	Description
NI	9003/10B/B	Armrest Assembly - RH BLK/BLK (9L) incl. items 1 to 5
NI	9003/10R/B	Armrest Assembly - RH RED/BLK (9L) incl. items 1 to 5
NI	9503/10B/B	Armrest Assembly - RH BLK/BLK (9LJ) incl. items 1 to 5
NI	9503/10R/B	Armrest Assembly - RH RED/BLK (9LJ) incl. items 1 to 5
NI	9003/12B/B	Armrest Assembly - LH BLK/BLK (9L) incl. items 1 to 5
NI	9503/12B/B	Armrest Assembly - LH BLK/BLK (9LJ) incl. items 1 to 5
NI	9003/12R/B	Armrest Assembly - LH RED/BLK (9L) incl. items 1 to 5
NI	9503/12R/B	Armrest Assembly - LH RED/BLK (9LJ) incl. items 1 to 5
NI	12" BLKPADKIT	12" Black Armpad Kit (9L) incl. items 1 to 3
NI	10" BLKPADKIT	10" Black Armpad Kit (9LJ) incl. items 1 to 3
4	9003/10/02BLK	Armrest panel Black (9L)
NI	SKA2153BLK	Armrest panel Black (9LJ)



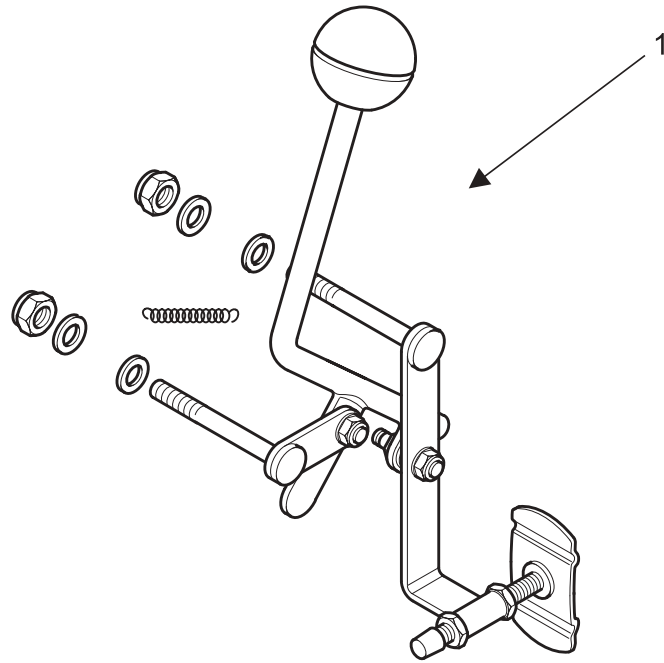
INV078

Figure 3.3 Rear Wheel Assemblies

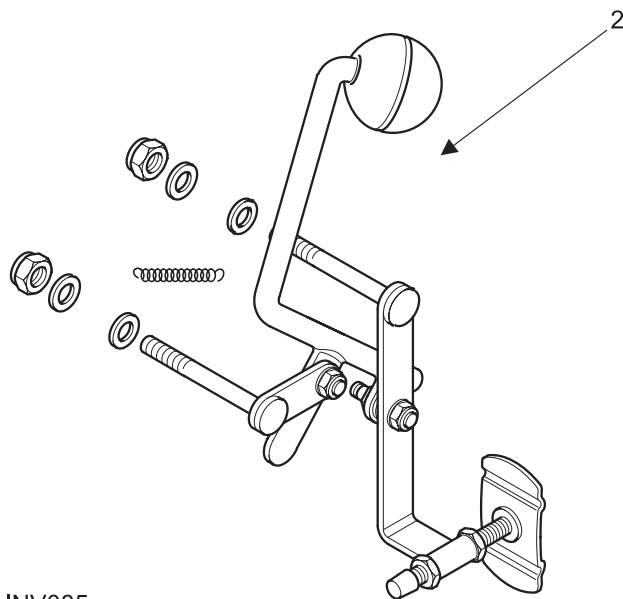


## Rear Wheel Assemblies

Item	Part Number	Description
1	1315/02PNUBLK	315mm Wheel + Pneumatic Tyre
2	M11005	Inner Tube
3	M12004	Tyre
4	1315/02WPBLK	315mmSolid Black Wheel Assembly
NI	M19003	Pump 15"



INV079

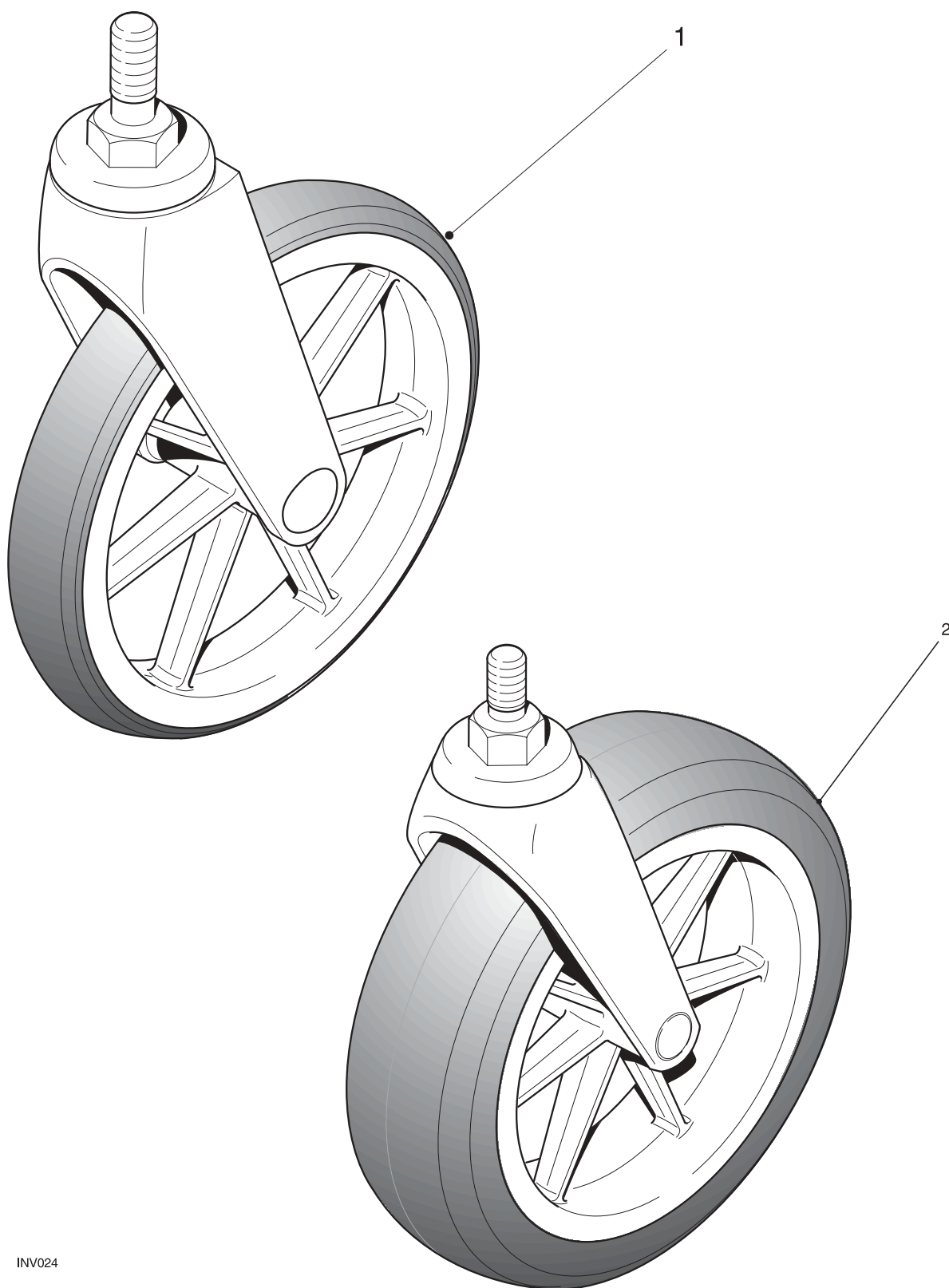


INV085

Figure 3.4 Brake Assemblies

**Brake Assemblies**

<b>Item</b>	<b>Part Number</b>	<b>Description</b>
1	TSD4930BLK	Brake Assembly - LH Black
NI	TSD4930RED	Brake Assembly - LH Red
NI	TSD4929BLK	Brake Assembly - RH Black
NI	TSD4929RED	Brake Assembly - LH Red
2	9000/20BLKEXT	Extended Brake Assembly - RH Black
NI	9000/20REDEXT	Extended Brake Assembly - RH Red
NI	9000/25BLKEXT	Extended Brake Assembly - LH Black
NI	9000/25REDEXT	Extended Brake Assembly - LH Red

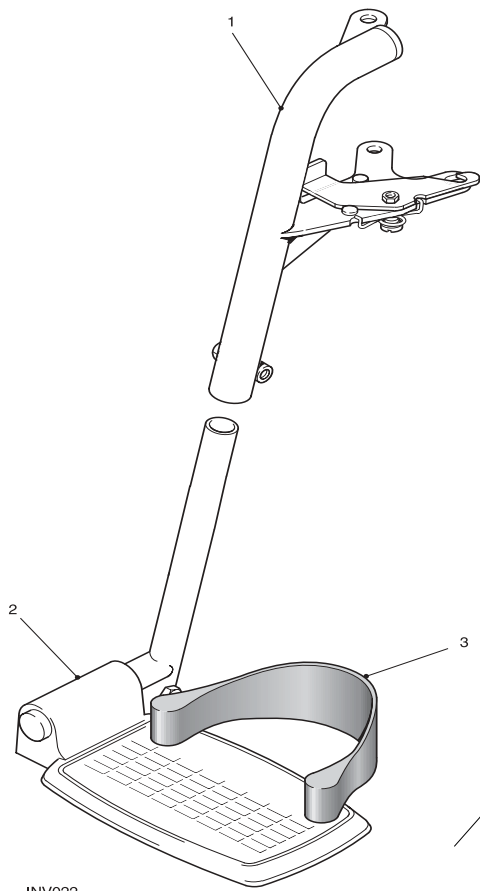


INV024

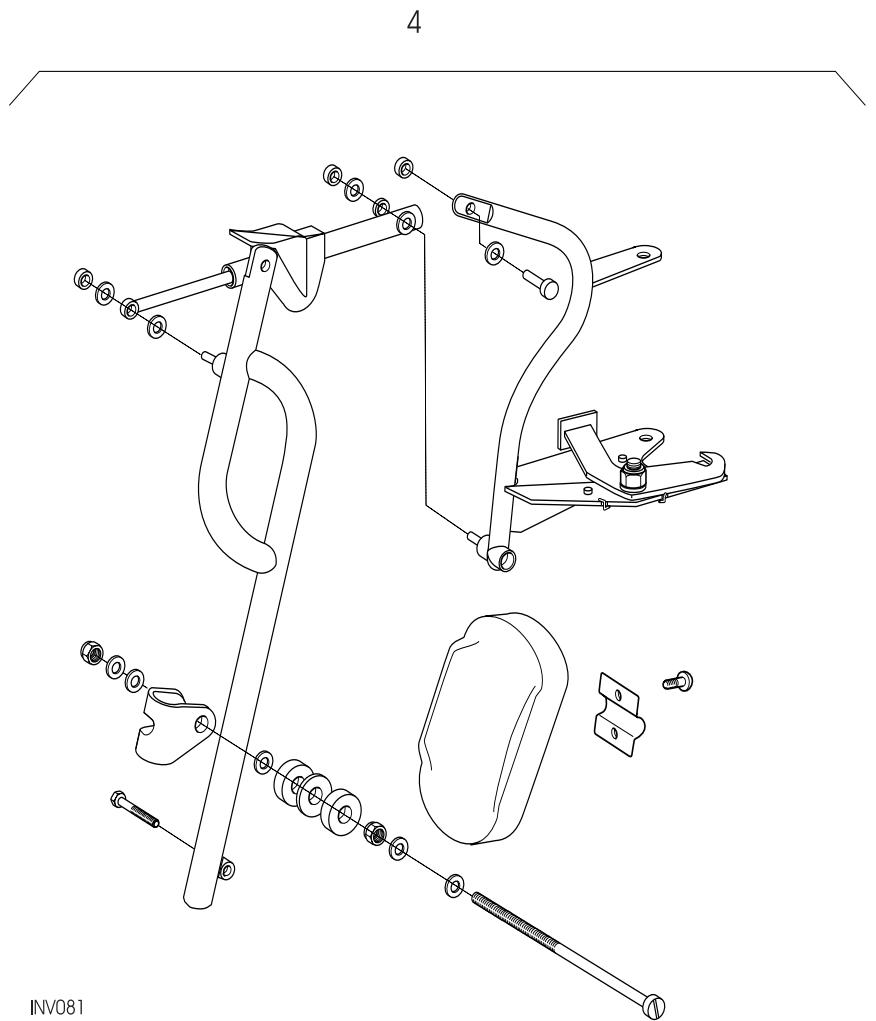
Figure 3.5 castor Wheel Assemblies

## Castor Wheel Assemblies

Item	Part Number	Description
1	1190/00BLK	190mm Narrow Profile Castor
2	1190/00WPBLK	190mm Wide Profile Castor



INV022

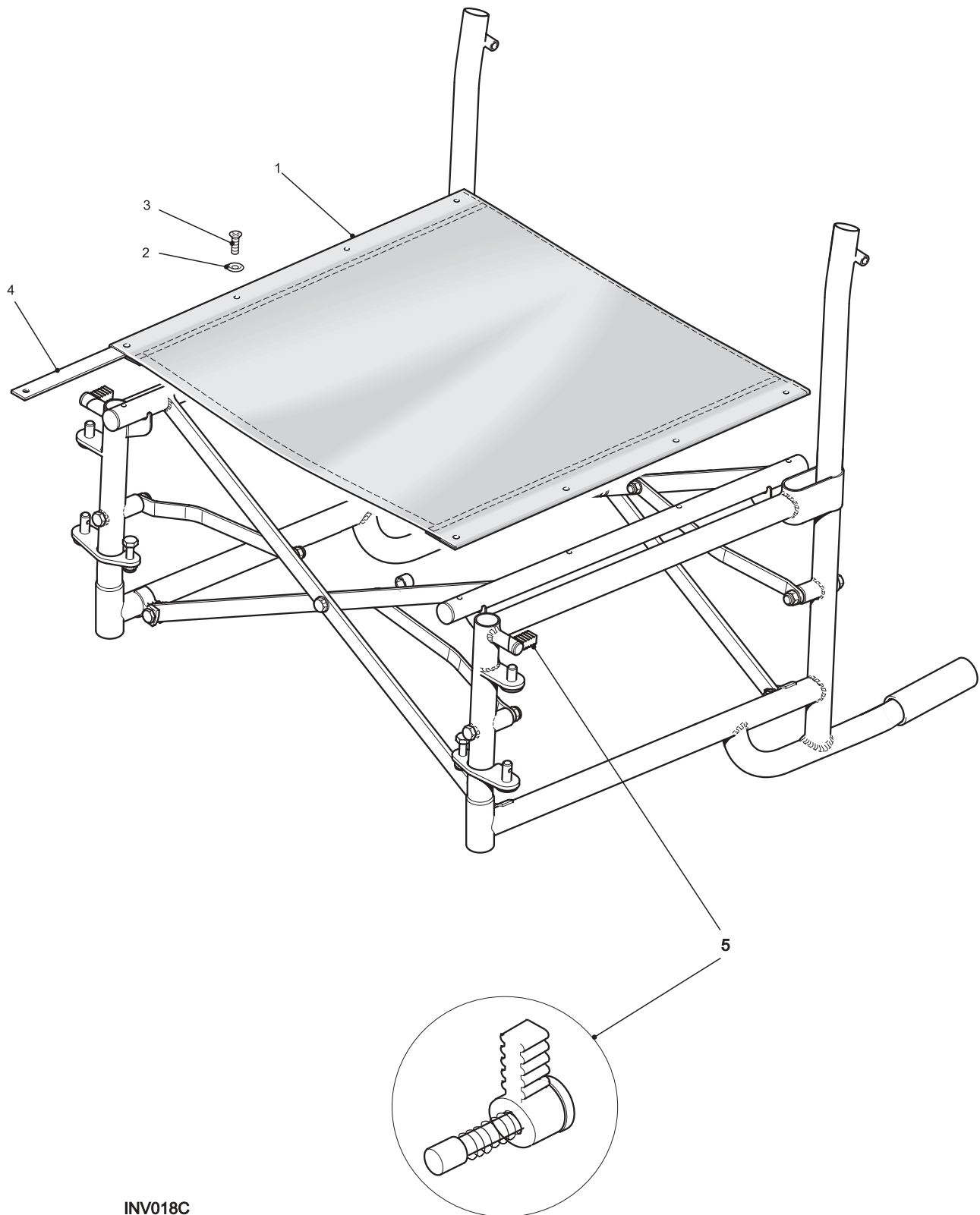


INV081

Figure 3.6 Swinging Detachable Footrest Assembly

## Swinging Detachable Footrest Assembly

Item	Part Number	Description
1	9000/27BLK	Swinging Bracket Assembly, Black - RH (9L/9LJ)
NI	9000/27RED	Swinging Bracket Assembly, Red- RH (9L/9LJ)
NI	9000/33BLK	Swinging Bracket Assembly, Black - LH (9L/9LJ)
NI	9000/33RED	Swinging Bracket Assembly, Red - LH (9L/9LJ)
2	9000/42BR	8.5" Footplate Assembly - RH (9L)
NI	9000/42PLBLK	8.5" Plastic Footplate Assembly - RH (9L)
NI	9000/46BR	8.5" Footplate Assembly - LH (9L)
NI	9000/46PLBLK	8.5" Plastic Footplate Assembly - LH (9L)
NI	8100/23BR	7.5" Footplate Assembly - RH (9LJ)
NI	8100/23PLBLK	7.5" Plastic Footplate Assembly - RH (9LJ)
NI	8100/25BR	7.5" Footplate Assembly - LH (9LJ)
NI	8100/25PLBLK	7.5" Plastic Footplate Assembly - LH (9LJ)
3	8300/21	Heel Loop Assembly
4	TSD11087BLK	Elevating Legrest - RH Black
NI	TSD11087RED	Elevating Legrest - RH Red
NI	TSD11350BLK	Elevating Legrest - RH Black
NI	TSD11350RED	Elevating Legrest - RH Red



INV018C

Figure 3.7 Seat Canvas Assembly



## Seat canvas Assembly

Item	Part Number	Description
1	9000/38EVA	17x17 Seat Canvas Assembly (9L) incl. items 2 to 4
NI	9000/38PEVA	17x17 Seat Canvas Assembly Padded (9L) incl. items 2 to 4
NI	9018/38EVA	18x17 Seat Canvas Assembly (9L) incl. items 2 to 4
NI	9018/38PEVA	18x17 Seat Canvas Assembly Padded (9L) incl. items 2 to 4
NI	9500/10EVA	15x16 Seat Canvas Assembly (9LJ) incl. items 2 to 4
NI	9500/11PEVA	15x16 Seat Canvas Assembly Padded (9LJ) incl. items 2 to 4
NI	TSD8072KIT	16x16 Seat Canvas Assembly (9LJ) incl. items 2 to 4
NI	TSD8072PKIT	16x16 Seat Canvas Assembly Padded (9LJ) incl. items 2 to 4
5	ARMLOCKKIT	Armrest Lock Kit Assembly
NI	CUSH215x16EVA	15" x 16" Seat Cushion - 2" High
NI	CUSH216x16EVA	16" x 16" Seat Cushion - 2" High
NI	CUSH217x17EVA	17" x 17" Seat Cushion - 2" High
NI	CUSH218x17EVA	17" x 18" Seat Cushion - 2" High
NI	6003196	Wheelchair Lap Strap

---

## **INVACARE INTERNATIONAL**

**Deutschland, Österreich, Switzerland:** Dehmer Straße 66, D-32549 Bad Oeynhausen.

**France:** Les Roches, F-37230 Fondettes.

**United Kingdom:** South Road, Industrial Estate, Bridgend - UK - CF31 3PY.

**España:** c/ Areny, s/n, Polígon Industrial de Celrà, E-17460 Celrà (Girona).

**Portugal:** Rua Senhora de Campanhã, 105 P-4369-001 Porto.

**Belgium:** Autobaan 14, B-8210 Loppem, Brügge.

**Denmark:** Sdr. Ringvej 39, DK-2605 Brøndby.

**Sweden:** Fagerstagatan 9, S-163 91 Spånga.

**Norge:** Grensesvingen 9, Etterstad, N-0603 Oslo 6.

**Nederland:** Celsiusstraat 46, NL-6716 BZ Ede.

