

## *Spare Parts Catalogue*

---

Version: 2012/12/03b EN



**Invacare® Duo**



**Yes, you can.®**

## **General Information**

*For any order of spare parts the following information is required:*

- Product type*
- Product name & model*
- Serial Number*
- Part-Number*
- Part-Description*

*Exploded view drawings and code numbers are not contractual and subject to modification, in relation to Invacare® continuous product improvement policy to meet end users needs.*

*The reproduction or use of this work, or of any substantial part of this work, in any form or by any electronic, mechanical or other means, including photocopying, scanning and recording, and in any information storage and retrieval system, including electronic transmission, is forbidden without the prior written permission of Invacare® International Sarl.*



**Yes, you can.<sup>®</sup>**

## **TABLE OF CONTENTS**

---

### **Seating**

Padded Seat Canvas Assemblies .....	5
Seat Cushion .....	6

### **Backrests**

Padded Back Canvas Assemblies .....	7
-------------------------------------	---

### **Legrests**

Legrest Hanger Assemblies .....	8
Manual Elevating Legrest Assemblies .....	9
Amputee Supports .....	10

### **Footrests**

Footplate Extension Assemblies .....	11
--------------------------------------	----

### **Siderests**

Siderests .....	12
-----------------	----

### **Castor Fork Assemblies**

Front Castor Assembly .....	13
-----------------------------	----

### **Rear Wheel**

Self Propel Wheel Assemblies .....	14
Rear Transit Wheels .....	15

### **Brake**

Brake Assemblies .....	16
------------------------	----

### **Seating Options**

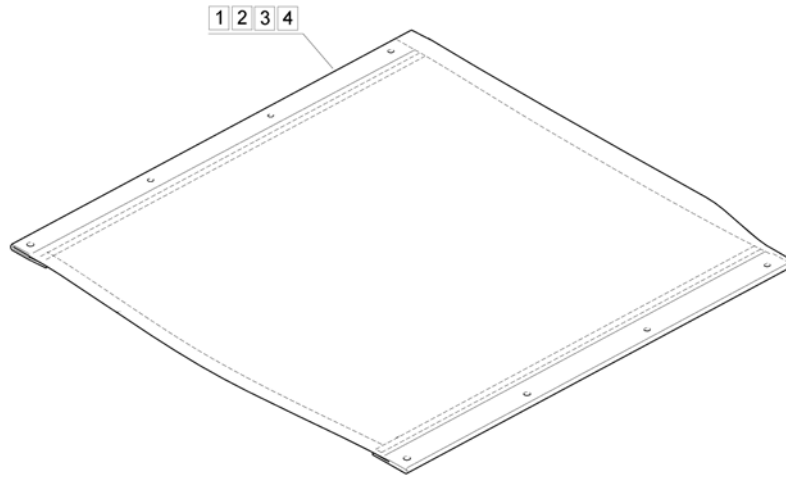
Backrest Extensions .....	17
---------------------------	----

### **Other Options and Accessories**

Strap Assemblies .....	18
Transit Wheel Anti Tip Assembly .....	19
Self Propel Wheel Anti Tip Assembly .....	20

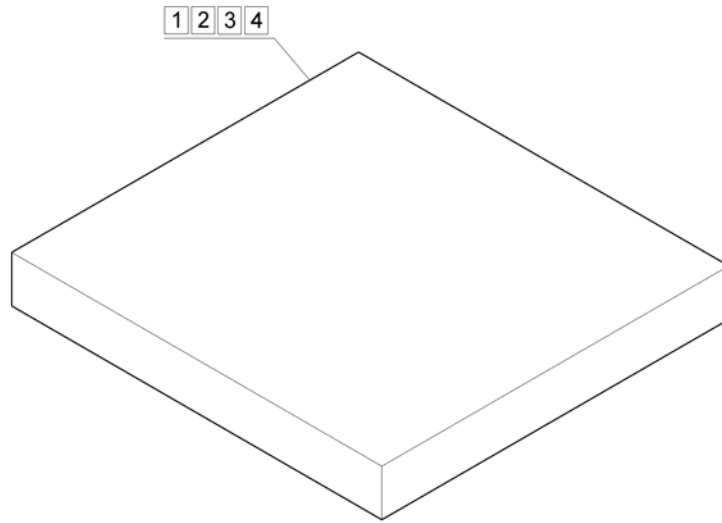


## Padded Seat Canvas Assemblies



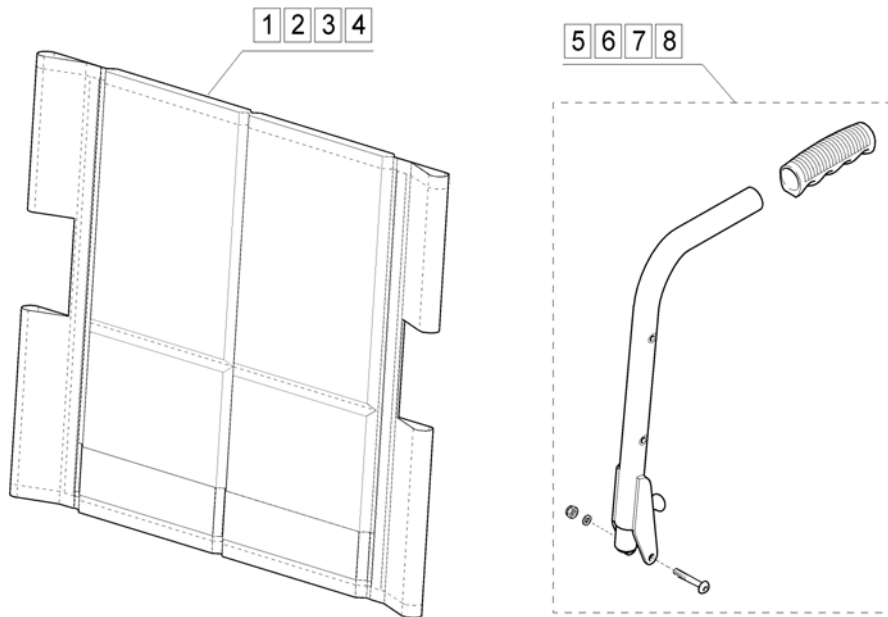
Pos.	Part number	Description	Valid from → until	Qty
1	1532129	Padded Seat Canvas Kit 15"W x 16"D Black Nylon		1
2	1532130	Padded Seat Canvas Kit 16"W x 16"D Black Nylon		1
3	1532131	Padded Seat Canvas Kit 17"W x 17"D Black Nylon		1
4	1532132	Padded Seat Canvas Kit 18"W x 17"D Black Nylon		1
5	1532133	Padded Seat Canvas Kit 20"W x 17"D Black Nylon		1
6	1532134	Padded Seat Canvas Kit 20"W x 18"D Black Nylon		1
7	1532135	Padded Seat Canvas Kit 22"W x 17"D Black Nylon		1
8	1532136	Padded Seat Canvas Kit 22"W x 18"D Black Nylon		1
9	1532137	Padded Seat Canvas Kit 24"W x 17"D Black Nylon		1
10	1532138	Padded Seat Canvas Kit 24"W x 18"D Black Nylon		1

# Seat Cushion



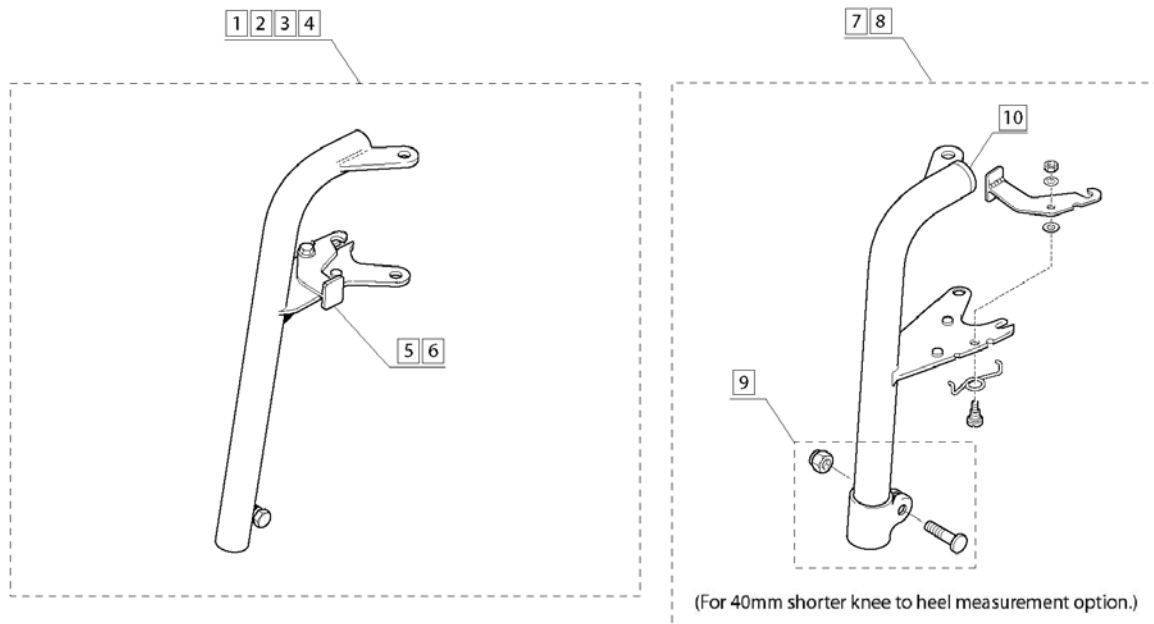
Pos.	Part number	Description	Valid from → until	Qty
1	1422471-0207	Seat Cushion 15" x 16" x 2" Black Nylon		1
2	1422472-0207	Seat Cushion 16" x 16" x 2" Black Nylon		1
3	1422473-0207	Seat Cushion 17" x 17" x 2" Black Nylon		1
4	1422474-0207	Seat Cushion 18" x 17" x 2" Black Nylon		1
5	1436917-0207	Seat Cushion 20" x 17" x 2" Black Nylon		1
6	1436918-0207	Seat Cushion 20" x 18" x 2" Black Nylon		1
7	1436919-0207	Seat Cushion 22" x 17" x 2" Black Nylon		1
8	1436920-0207	Seat Cushion 22" x 18" x 2" Black Nylon		1
9	1436921-0207	Seat Cushion 24" x 17" x 2" Black Nylon		1
10	1436922-0207	Seat Cushion 24" x 18" x 2" Black Nylon		1

## Padded Back Canvas Assemblies



Pos.	Part number	Description	Valid from → until	Qty
1	1528917	15" Back Canvas Kit Black Nylon		1
2	1528939	16" Back Canvas Kit Black Nylon		1
3	1528954	17" Back Canvas Kit Black Nylon		1
4	1528955	18" Back Canvas Kit Black Nylon		1
5	9000/16BLKKIT	Push Handle Kit RH Black Complete		1
6	9000/18BLKKIT	Push Handle Kit LH Black Complete		1
7	9000/16REDKIT	Push Handle Kit RH Red Complete		1
8	9000/18REDKIT	Push Handle Kit LH Red Complete		1

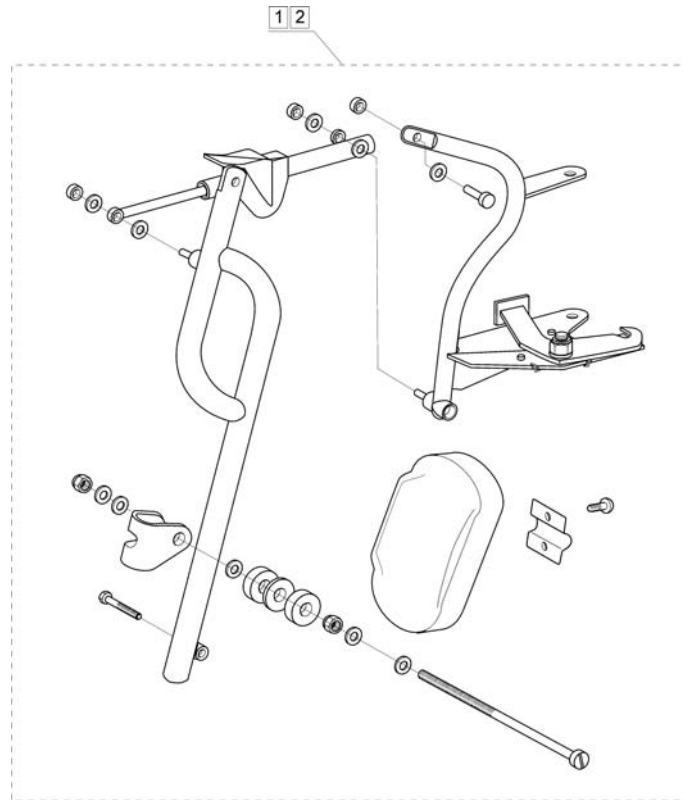
# Legrest Hanger Assemblies



Pos.	Part number	Description	Valid from → until	Qty
1	9000/27BLK	Legrest Hanger Assembly RH - Black		1
2	9000/33BLK	Legrest Hanger Assembly LH - Black		1
3	9000/27RED	Legrest Hanger Assembly RH - Red		1
4	9000/33RED	Legrest Hanger Assembly LH - Red		1
5	9000/32BLK	Latch Plate Assembly - Black		1
6	9000/32RED	Latch Plate Assembly - Red		1
7	6402921	Legrest Hanger Assembly RH - Black		1
8	6402922	Legrest Hanger Assembly LH - Black		1
9	6003034	Footrest Hanger Clamp Kit		1
10	6002882	Anti-Rattle Rubber		1

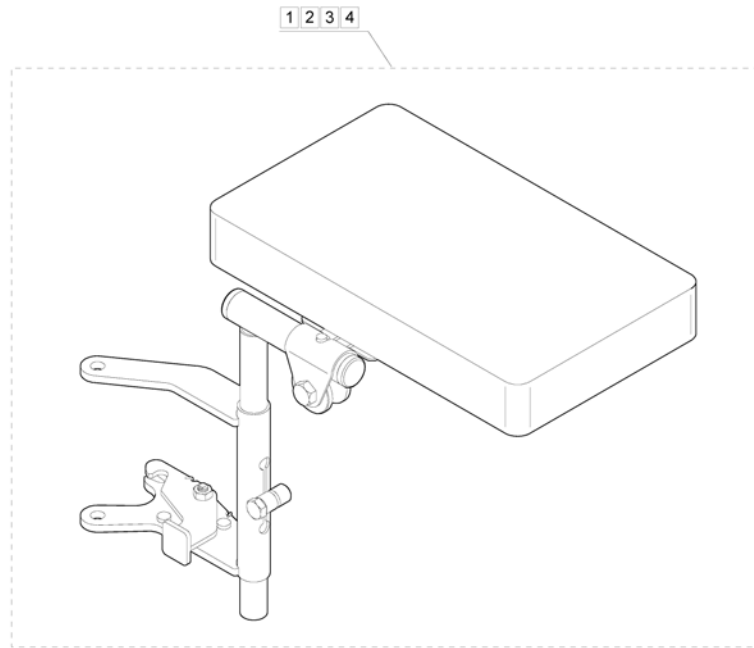


## Manual Elevating Legrest Assemblies



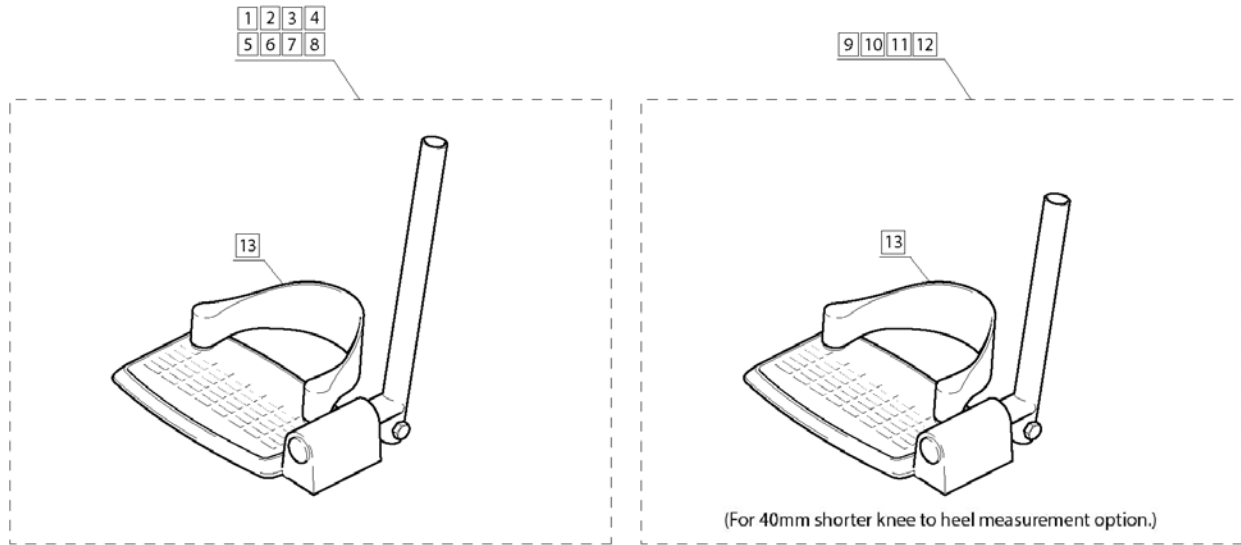
Pos.	Part number	Description	Valid from → until	Qty
1	TSD11087BLK	Manual Elevating Legrest Assembly Complete - RH		1
2	TSD11350BLK	Manual Elevating Legrest Assembly Complete - LH		1

# Amputee Supports



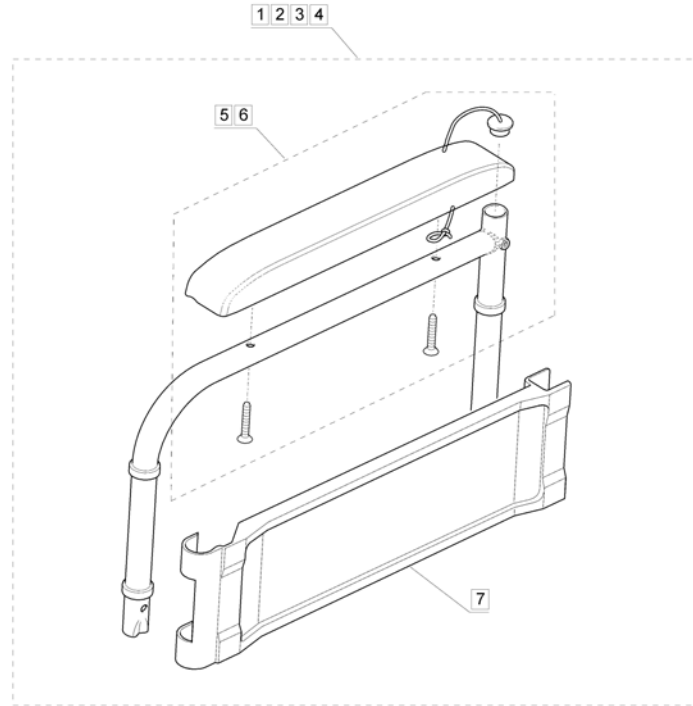
Pos.	Part number	Description	Valid from → until	Qty
1	1485027	Amputee Support RH (13" - 15" Wide)		1
2	1485028	Amputee Support LH (13" - 15" Wide)		1
3	1448733	Amputee Support RH (16" - 24" Wide)		1
4	1448734	Amputee Support LH (16" - 24" Wide)		1

# Footplate Extension Assemblies



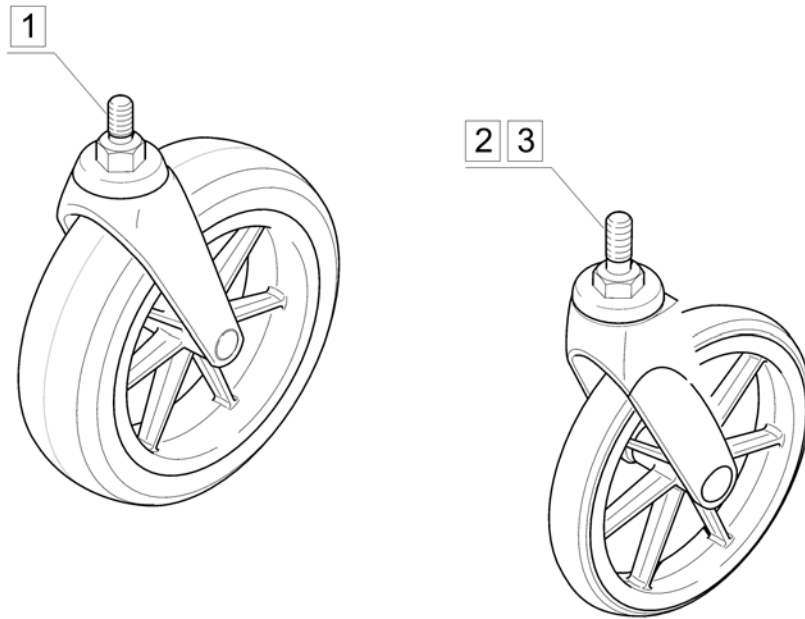
Pos.	Part number	Description	Valid from → until	Qty
1	9000/42BR	Footplate Assembly RH 8.5" (Aluminium)		1
2	9000/46BR	Footplate Assembly LH 8.5" (Aluminium)		1
3	9000/42PLBLK	Footplate Assembly RH 8.5" (Plastic)		1
4	9000/46PLBLK	Footplate Assembly LH 8.5" (Plastic)		1
5	8100/23BR	Footplate Assembly RH 7.5" (Aluminium)		1
6	8100/25BR	Footplate Assembly LH 7.5" (Aluminium)		1
7	8100/23PLBLK	Footplate Assembly RH 7.5" (Plastic)		1
8	8100/25PLBLK	Footplate Assembly LH 7.5" (Plastic)		1
9	1504405	Footplate Assembly RH 7.5" (Plastic) -40mm		1
10	1504406	Footplate Assembly LH 7.5" (Plastic) -40mm		1
11	1504407	Footplate Assembly RH 8.5" (Plastic) -40mm		1
12	1504408	Footplate Assembly LH 8.5" (Plastic) -40mm		1
13	8300/21	Heel Loop Assembly		1

# Siderests



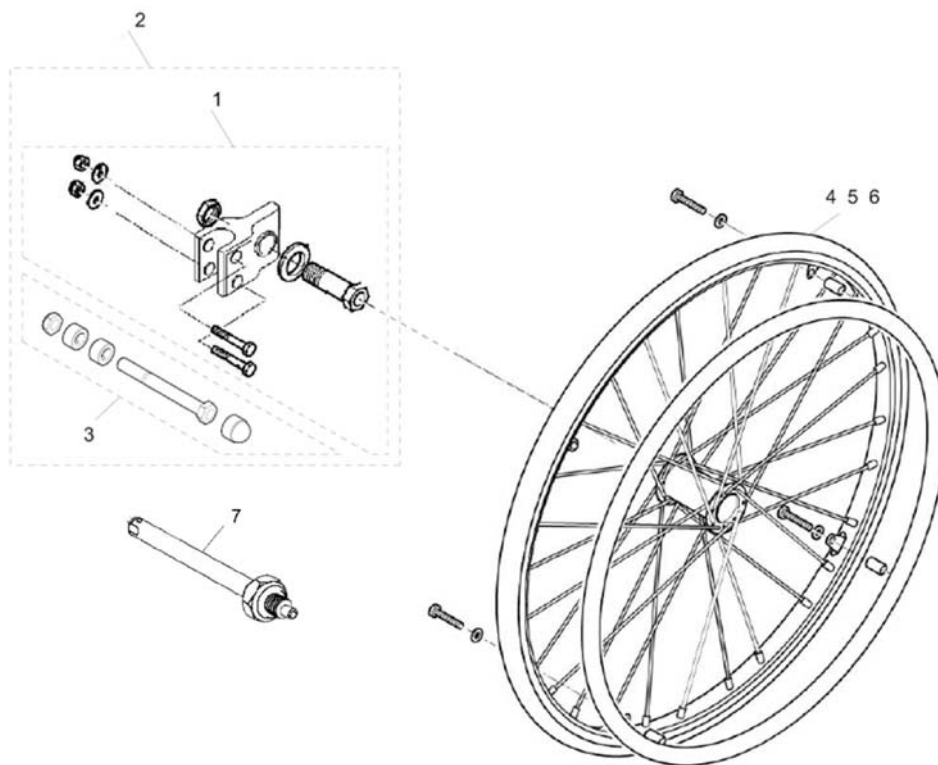
Pos.	Part number	Description	Valid from → until	Qty
1	9003/10B/B	Armrest Assembly RH Black Complete		1
2	9003/10R/B	Armrest Assembly RH Red Complete		1
3	9003/12B/B	Armrest Assembly LH Black Complete		1
4	9003/12R/B	Armrest Assembly LH Red Complete		1
5	12BLKPADKIT	12" Black Armpad Kit		1
6	10BLKPADKIT	10" Black Armpad Kit		1
7	9003/10/02BLK	Armrest Panel Black		1

## Front Castor Assembly

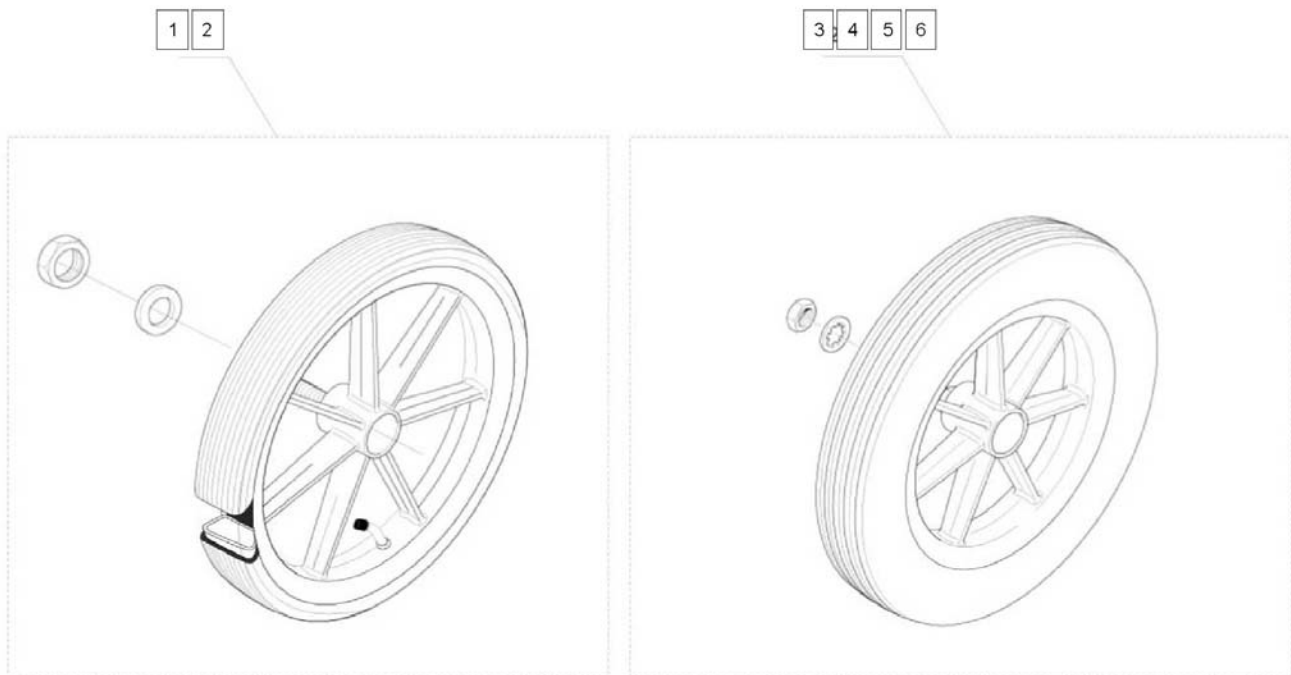


Pos.	Part number	Description	Valid from → until	Qty
1	1190/00WPBLK	Front Castor Assembly - Black Plastic (Wide Profile)		1
2	1190/00SLBLK	Front Castor Assembly - Black Plastic (Narrow Profile)		1
3	1555973	190mm 29mm Solid Castor narrow Profile. Tente/HD Only. <i>Rente/HD Only. Feb 2013.</i>		1

## Self Propel Wheel Assemblies

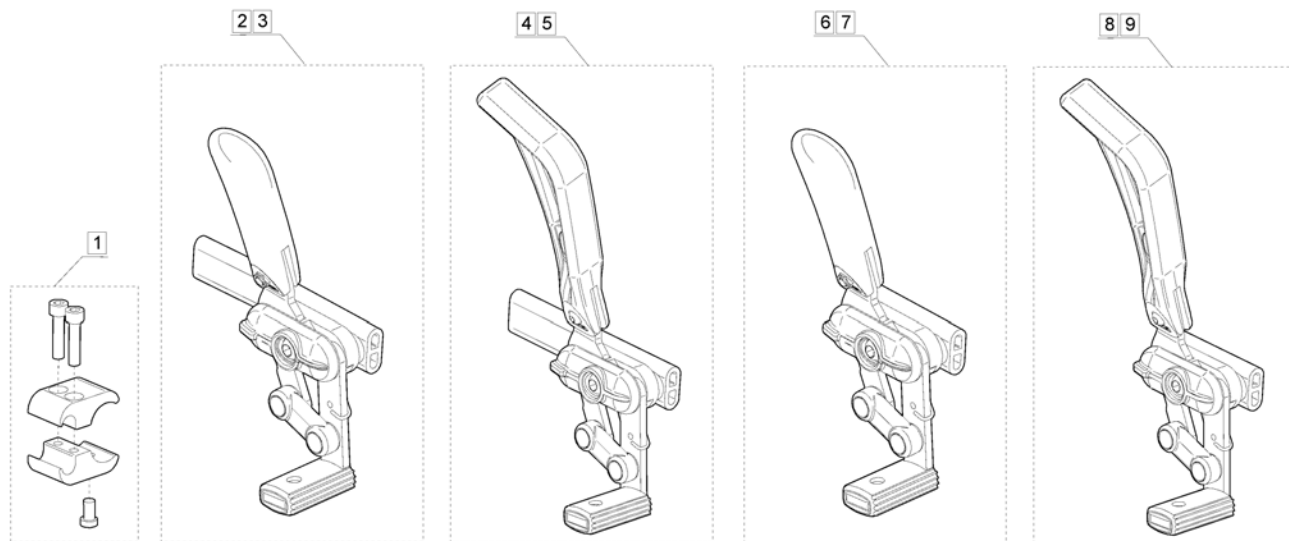


Pos.	Part number	Description	Valid from → until	Qty
1	1441969	Wheel Mounting Block Kit - Quick Release		1
2	1441970	Wheel Mounting Block Kit - Bolt On		1
3	1538590	Bolt On Wheel Fixing Kit		1
4	1020/00SQRSOLBLK	20" Q/R Solid Grey Tyre Wheel		1
5	1422181	Wheel Assy-22" Solid (1" 3/8) Grey Tyre		1
6	1422182	24" Spoked Solid Wheel Assembly		1
7	SKA2671	Qr Axle 1/2" - - - -		1



Pos.	Part number	Description	Valid from → until	Qty
1	1315/02WPLWBLK	Plastic Wheel Wide Profile 315mm, Solid Tyre		1
2	1555972	Plastic Wheel Solid Tyre 315mm Wide Profile. Tente. Feb 2013 Onwards. <i>Tente/HD Only. Feb 2013.</i>		1
3	1542205	Solid Plastic Wheel Wide Profile 315mm - Black KOHL13		1
4	1315/02PNUBLK	Plastic Wheel 315mm, Pneumatic Tyre		1
5	1554804	Solid Plastic Wheel Wide Profile 315mm - Black		1
6	1315/02WPBLK	Solid Plastic Wheel Wide Profile 315mm - Black		1

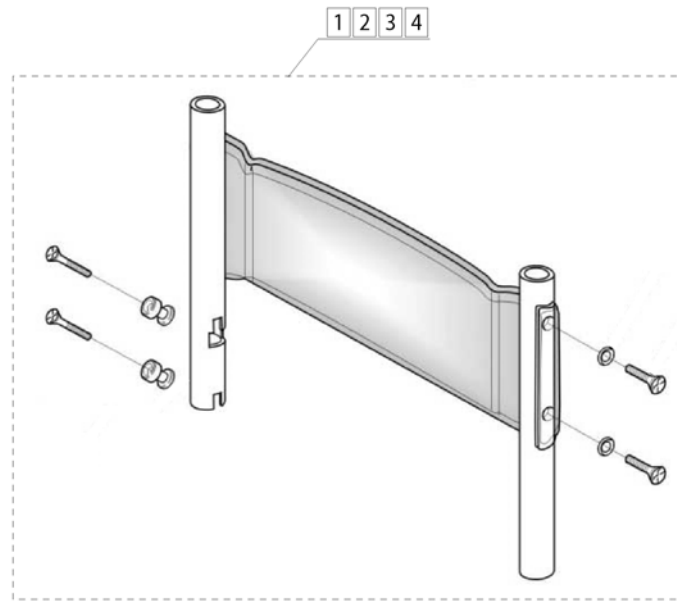
# Brake Assemblies



Pos.	Part number	Description	Valid from → until	Qty
1	1543472	Clamp Brake Assy		1
2	1425642	LH Reverse push to lock brake with standard brake-shoe		1
3	1425643	Rh Reverse push to lock brake with standard brake-shoe		1
4	1425640	Lh Reverse Complete Brake with lever extension		1
5	1425641	Rh Reverse Complete Brake With Lever Extension		1
6	1444886	Brake Lh Short		1
7	1444885	Brake Rh Short		1
8	1448631	Extended Brake Lh Short		1
9	1448630	Extended Brake Rh Short		1

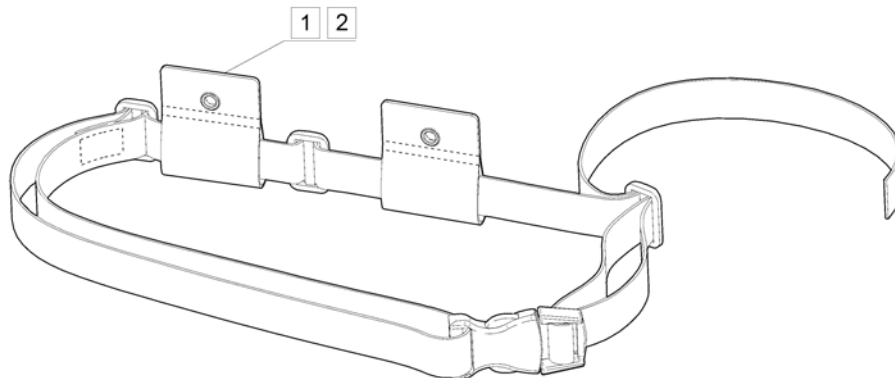


## Backrest Extensions

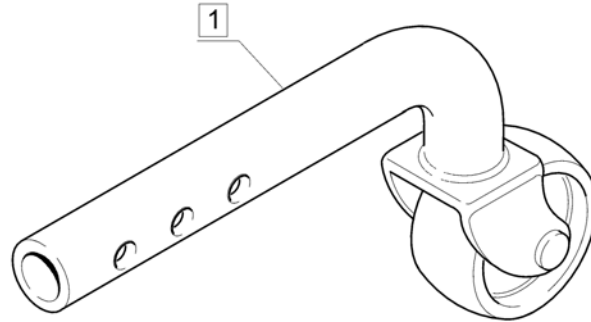


Pos.	Part number	Description	Valid from → until	Qty
1	1528956	15" Backrest Extension Kit Black Nylon		1
2	1528957	16" Backrest Extension Kit Black Nylon		1
3	1528958	17" Backrest Extension Kit Black Nylon		1
4	1528959	18" Backrest Extension Kit Black Nylon		1

## Strap Assemblies

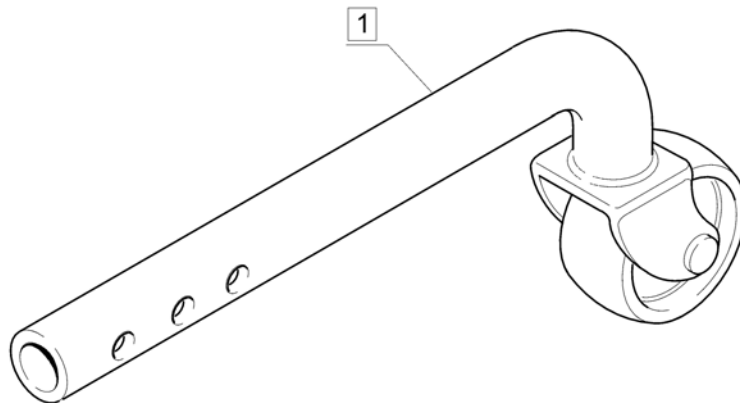


Pos.	Part number	Description	Valid from → until	Qty
2	1526771	Wheel Chair (Extended) Lap Strap - 3100mm Long		1
1	1WLS1002	Wheel Chair (Standard) Lap Strap - 2100mm Long		1



Pos.	Part number	Description	Valid from → until	Qty
1	2000/70	Anti Tip Assembly		1

## Self Propel Wheel Anti Tip Assembly



Pos.	Part number	Description	Valid from → until	Qty
1	7017/82	Anti Tip Assembly		1





Yes, you can.®



---

**Belgium & Luxemburg:**

Invacare nv, Autobaan 22, B-8210 Loppem  
Tel: (32) (0)50 83 10 10, Fax: (32) (0)50 83 10 11  
belgium@invacare.com / www.invacare.be

**Denmark:**

Invacare A/S, Sdr. Ringvej 37, DK-2605 Brøndby  
Tel: (45) (0)36 90 00 00, Fax: (45) (0)36 90 00 01  
denmark@invacare.com / www.invacare.dk

**Deutschland:**

Invacare Aquatec GmbH, Alemannenstraße 10, D-88316 Isny  
Tel: (49) (0)75 62 7 00 0, Fax: (49) (0)75 62 7 00 66  
info@invacare-aquatec.com / www.invacare-aquatec.de

**European Distributor Organisation:**

Invacare, Kleiststraße 49, D-32457 Porta Westfalica  
Tel: (49) (0)57 31 754 540, Fax: (49) (0)57 31 754 541  
edo@invacare.com / www.invacare.eu.com

**España:**

Invacare SA, c/Areny s/n, Polígon Industrial de Celrà, E-17460 Celrà (Girona)  
Tel: (34) (0)972 49 32 00, Fax: (34) (0)972 49 32 20  
contactsp@invacare.com / www.invacare.es

**France:**

Invacare Poirier SAS, Route de St Roch, F-37230 Fondettes  
Tel: (33) (0)2 47 62 64 66, Fax: (33) (0)2 47 42 12 24  
contactfr@invacare.com / www.invacare.fr

**Ireland:**

Invacare Ireland Ltd, Unit 5 Seatown Business Campus, Seatown Road, Swords, County Dublin - Ireland  
Tel: (353) 1 810 7084, Fax: (353) 1 810 7085  
ireland@invacare.com / www.invacare.ie

**Italia:**

Invacare Mecc San s.r.l., Via dei Pini 62, I-36016 Thiene (VI)  
Tel: (39) 0445 38 00 59, Fax: (39) 0445 38 00 34  
italia@invacare.com / www.invacare.it

**Nederland:**

Invacare BV, Celsiusstraat 46, NL-6716 BZ Ede  
Tel: (31) (0)318 695 757, Fax: (31) (0)318 695 758  
nederland@invacare.com, csede@invacare.com / www.invacare.nl

**Norge:**

Invacare AS, Grensesvingen 9, Postboks 6230, Etterstad, N-0603 Oslo  
Tel: (47) (0)22 57 95 00, Fax: (47) (0)22 57 95 01  
norway@invacare.com, island@invacare.com / www.invacare.no

**Österreich:**

Invacare Austria GmbH, Herzog Odilostrasse 101, A-5310 Mondsee  
Tel: (43) 6232 5535 0, Fax: (43) 6232 5535 4  
info-austria@invacare.com / www.invacare.at

**Portugal:**

Invacare Lda, Rua Estrada Velha, 949, P-4465-784 Leça do Balio  
Tel: (351) (0)225 1059 46/47, Fax: (351) (0)225 1057 39  
portugal@invacare.com / www.invacare.pt

**Sverige & Suomi:**

Invacare AB, Fagerstagatan 9, S-163 91 Spånå  
Tel: (46) (0)8 761 70 90, Fax: (46) (0)8 761 81 08  
sweden@invacare.com, finland@invacare.com / www.invacare.se

**Switzerland:**

Invacare AG, Benkenstrasse 260, CH-4108 Witterswil  
Tel: (41) (0)61 487 70 80, Fax: (41) (0)61 487 70 81  
switzerland@invacare.com / www.invacare.ch

**United Kingdom:**

Invacare Limited, Pencoed Technology Park, Pencoed, Bridgend CF35 5AQ  
Switchboard Tel: (44) (0)1656 776200, Fax: (44) (0)1656 776201  
Customer services Tel: (44) (0)1656 776222, Fax: (44) (0)1656 776220  
uk@invacare.com / www.invacare.co.uk