

Spare Parts Catalogue

Version: 2010/04/12a EN



Invacare® Duo



Yes, you can.[®]

General Information

For any order of spare parts the following information is required:

- Product type*
- Product name & model*
- Serial Number*
- Part-Number*
- Part-Description*

Exploded view drawings and code numbers are not contractual and subject to modification, in relation to Invacare[®] continuous product improvement policy to meet end users needs.

The reproduction or use of this work, or of any substantial part of this work, in any form or by any electronic, mechanical or other means, including photocopying, scanning and recording, and in any information storage and retrieval system, including electronic transmission, is forbidden without the prior written permission of Invacare[®] International Sarl.



Yes, you can.[®]

TABLE OF CONTENTS

Seating

Padded Seat Canvas Assemblies	5
Seat Cushion	6

Backrests

Padded Back Canvas Assemblies	7
-------------------------------------	---

Legrests

Legrest Hanger Assemblies	8
Manual Elevating Legrest Assemblies	9
Amputee Supports	10

Footrests

Footplate Extension Assemblies	11
--------------------------------------	----

Siderests

Siderests	12
-----------------	----

Castor Fork Assemblies

Front Castor Assembly	13
-----------------------------	----

Rear Wheel

Self Propel Wheel Assemblies	14
Rear Transit Wheels	15

Brake

Brake Assemblies	16
------------------------	----

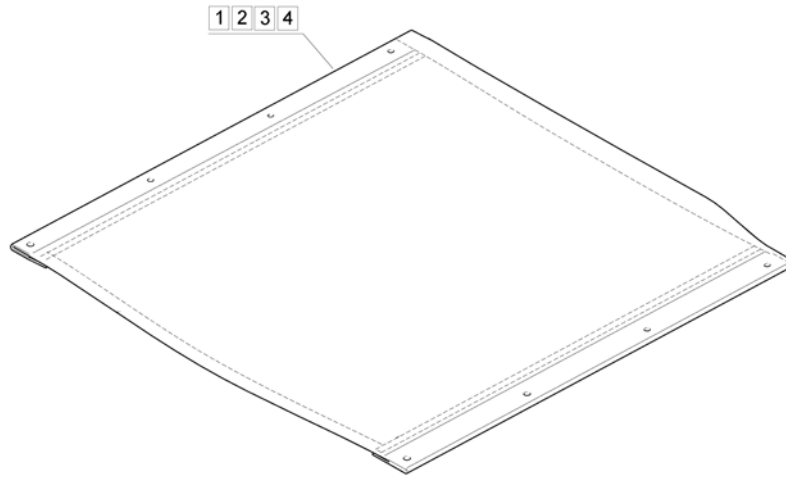
Seating Options

Backrest Extensions	17
---------------------------	----

Other Options and Accessories

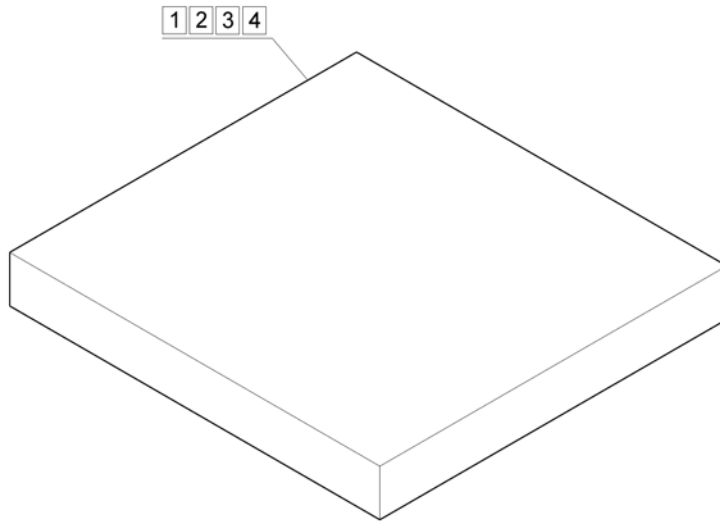
Strap Assemblies	18
Transit Wheel Anti Tip Assembly	19
Self Propel Wheel Anti Tip Assembly	20

Padded Seat Canvas Assemblies



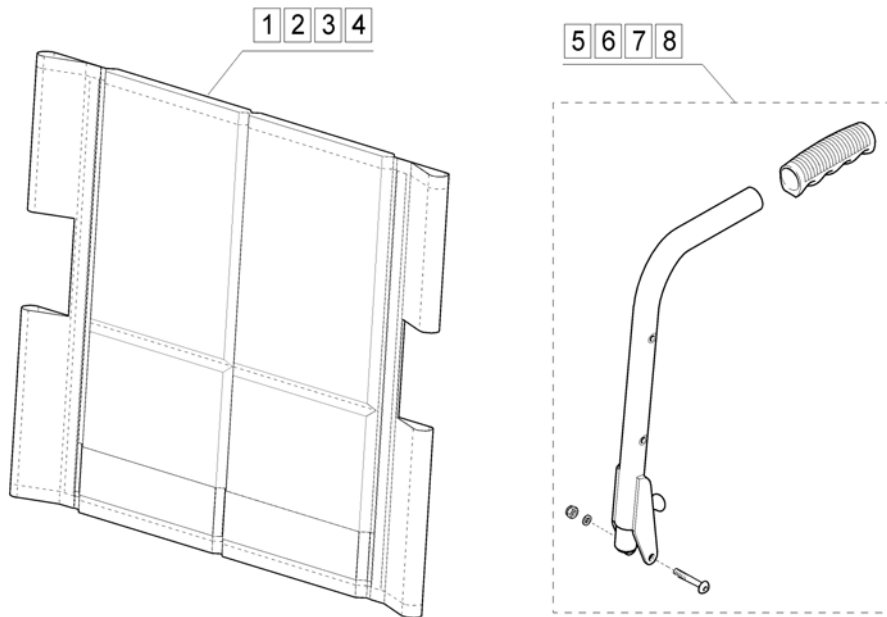
Pos.	Part number	Description	Valid from → until	Qty
1	1532129	Padded Seat Canvas Kit 15"W x 16"D Black Nylon		1
2	1532130	Padded Seat Canvas Kit 16"W x 16"D Black Nylon		1
3	1532131	Padded Seat Canvas Kit 17"W x 17"D Black Nylon		1
4	1532132	Padded Seat Canvas Kit 18"W x 17"D Black Nylon		1

Seat Cushion



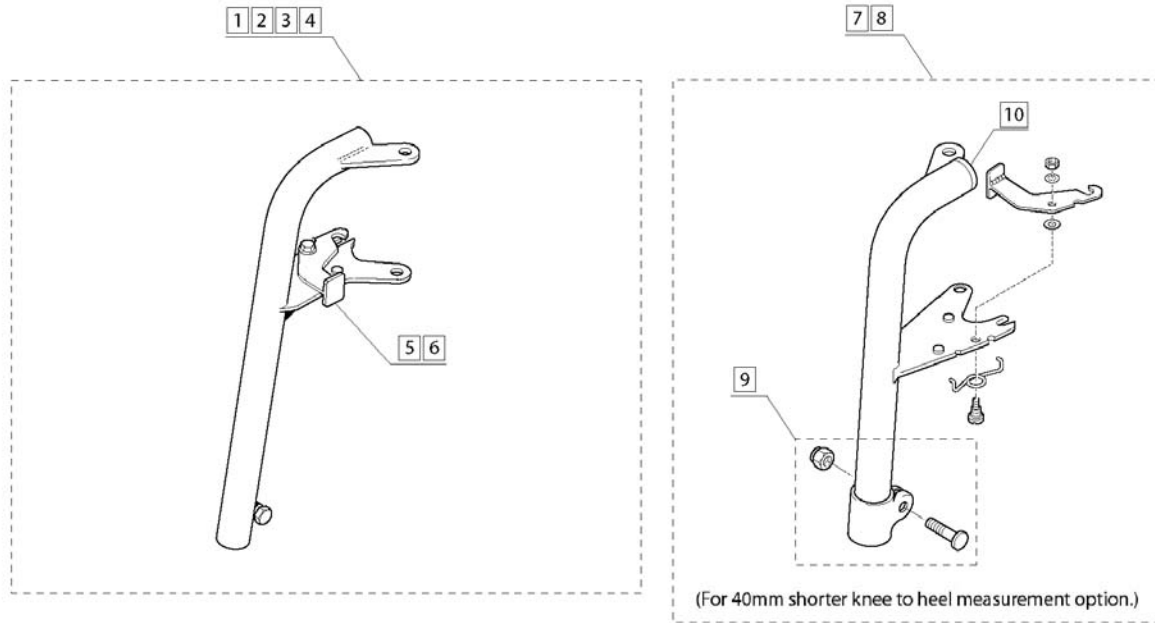
Pos.	Part number	Description	Valid from → until	Qty
1	1422471-0207	Seat Cushion 15" x 16" x 2" Black Nylon		1
2	1422472-0207	Seat Cushion 16" x 16" x 2" Black Nylon		1
3	1422473-0207	Seat Cushion 17" x 17" x 2" Black Nylon		1
4	1422474-0207	Seat Cushion 18" x 17" x 2" Black Nylon		1

Padded Back Canvas Assemblies



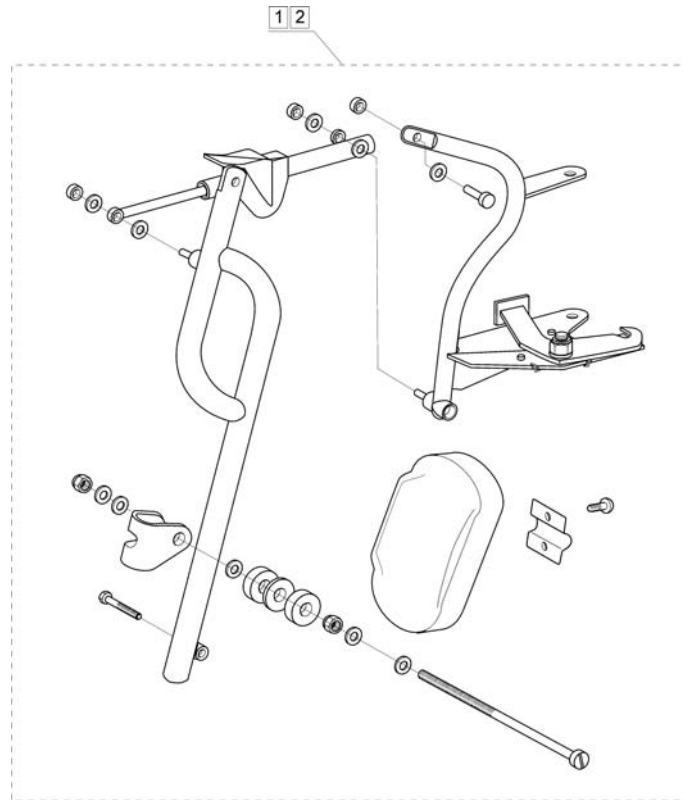
Pos.	Part number	Description	Valid from → until	Qty
1	1528917	15" Back Canvas Kit Black Nylon		1
2	1528939	16" Back Canvas Kit Black Nylon		1
3	1528954	17" Back Canvas Kit Black Nylon		1
4	1528955	18" Back Canvas Kit Black Nylon		1
5	9000/16BLKKIT	Push Handle Kit RH Black Complete		1
6	9000/18BLKKIT	Push Handle Kit LH Black Complete		1
7	9000/16REDKIT	Push Handle Kit RH Red Complete		1
8	9000/18REDKIT	Push Handle Kit LH Red Complete		1

Legrest Hanger Assemblies



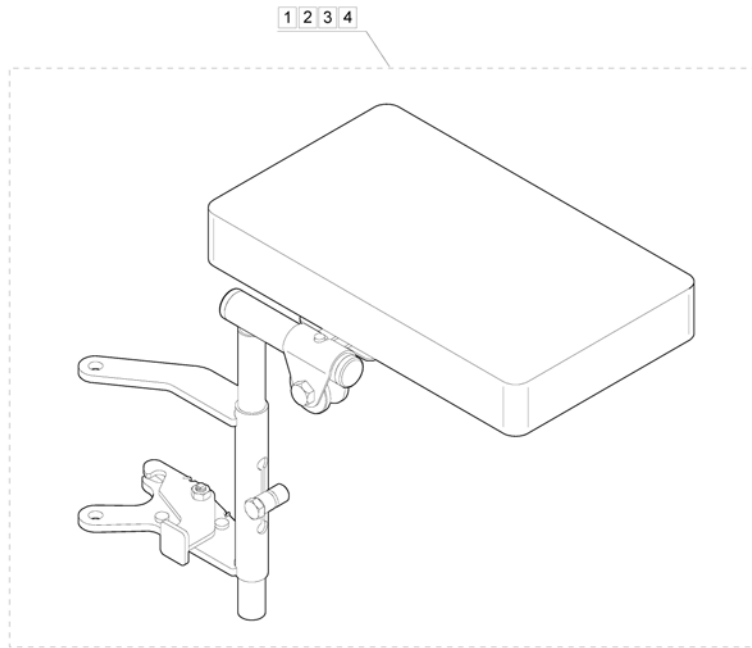
Pos.	Part number	Description	Valid from → until	Qty
1	9000/27BLK	Legrest Hanger Assembly RH - Black		1
2	9000/33BLK	Legrest Hanger Assembly LH - Black		1
3	9000/27RED	Legrest Hanger Assembly RH - Red		1
4	9000/33RED	Legrest Hanger Assembly LH - Red		1
5	9000/32BLK	Latch Plate Assembly - Black		1
6	9000/32RED	Latch Plate Assembly - Red		1
7	6402921	Legrest Hanger Assembly RH - Black		1
8	6402922	Legrest Hanger Assembly LH - Black		1
9	6003034	Footrest Hanger Clamp Kit		1
10	6002882	Anti-Rattle Rubber		1

Manual Elevating Legrest Assemblies



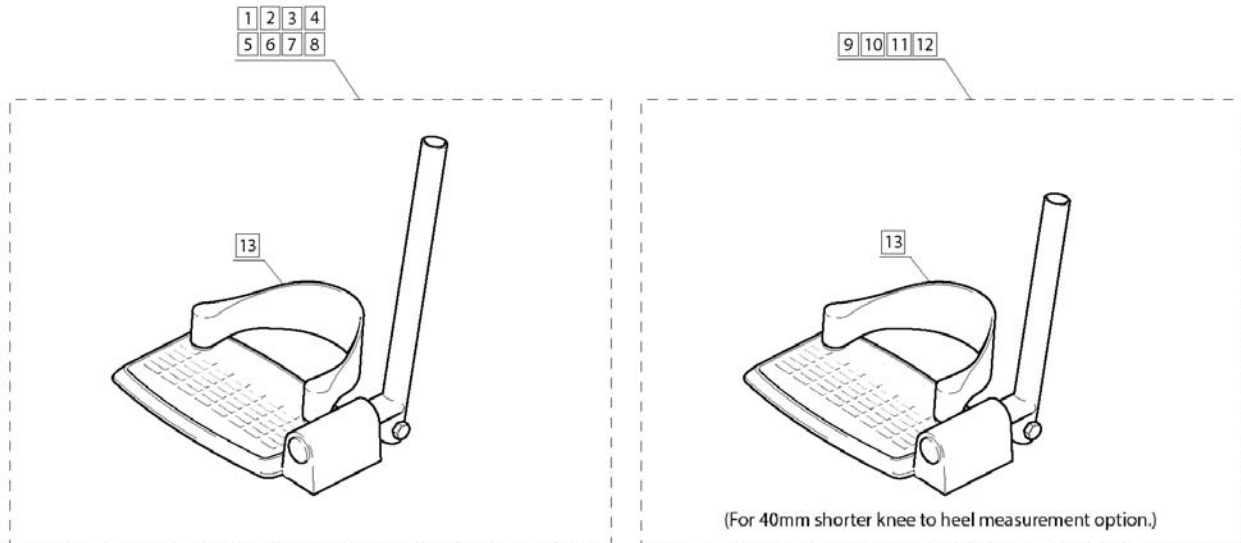
Pos.	Part number	Description	Valid from → until	Qty
1	TSD11087BLK	Manual Elevating Legrest Assembly Complete - RH		1
2	TSD11350BLK	Manual Elevating Legrest Assembly Complete - LH		1

Amputee Supports



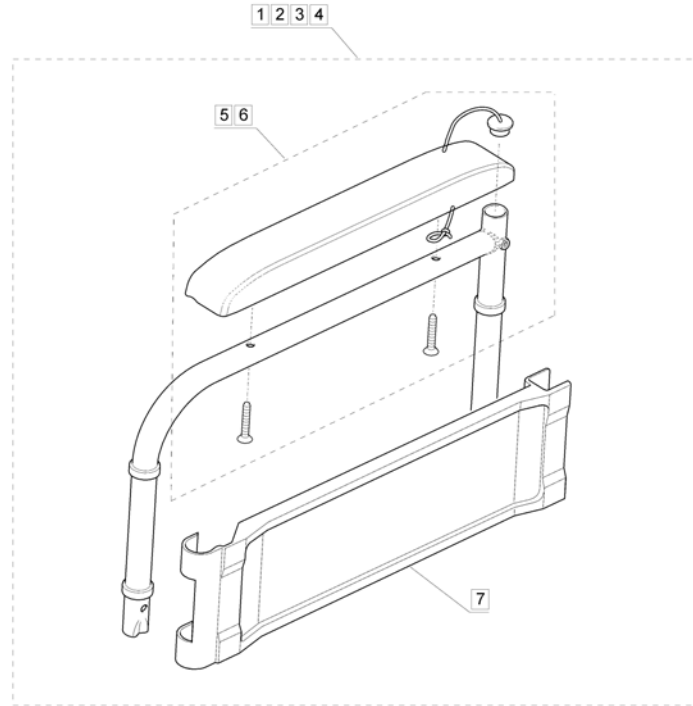
Pos.	Part number	Description	Valid from → until	Qty
1	1485027	Amputee Support RH (13" - 15" Wide)		1
2	1485028	Amputee Support LH (13" - 15" Wide)		1
3	1448733	Amputee Support RH (16" - 20" Wide)		1
4	1448734	Amputee Support LH (16" - 20" Wide)		1

Footplate Extension Assemblies



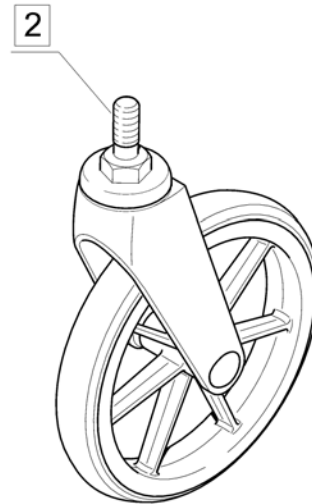
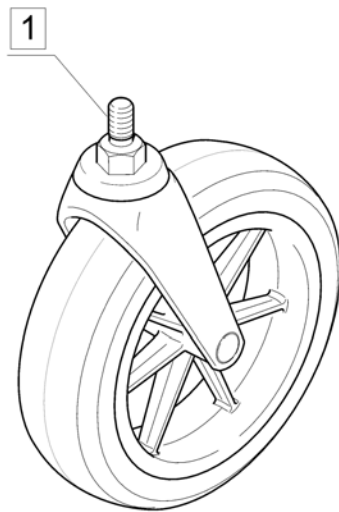
Pos.	Part number	Description	Valid from → until	Qty
1	9000/42BR	Footplate Assembly RH 8.5" (Aluminium)		1
2	9000/46BR	Footplate Assembly LH 8.5" (Aluminium)		1
3	9000/42PLBLK	Footplate Assembly RH 8.5" (Plastic)		1
4	9000/46PLBLK	Footplate Assembly LH 8.5" (Plastic)		1
5	8100/23BR	Footplate Assembly RH 7.5" (Aluminium)		1
6	8100/25BR	Footplate Assembly LH 7.5" (Aluminium)		1
7	8100/23PLBLK	Footplate Assembly RH 7.5" (Plastic)		1
8	8100/25PLBLK	Footplate Assembly LH 7.5" (Plastic)		1
9	1504405	Footplate Assembly RH 7.5" (Plastic) -40mm		1
10	1504406	Footplate Assembly LH 7.5" (Plastic) -40mm		1
11	1504407	Footplate Assembly RH 8.5" (Plastic) -40mm		1
12	1504408	Footplate Assembly LH 8.5" (Plastic) -40mm		1
13	8300/21	Heel Loop Assembly		1

Siderests



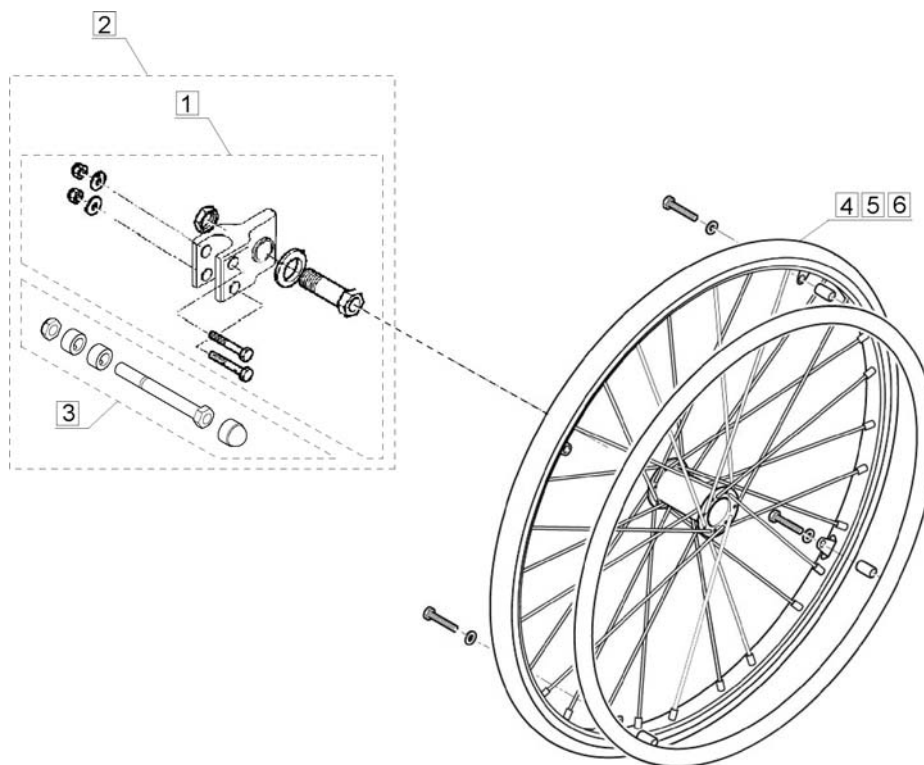
Pos.	Part number	Description	Valid from → until	Qty
1	9003/10B/B	Armrest Assembly RH Black Complete		1
2	9003/10R/B	Armrest Assembly RH Red Complete		1
3	9003/12B/B	Armrest Assembly LH Black Complete		1
4	9003/12R/B	Armrest Assembly LH Red Complete		1
5	12BLKPADKIT	12" Black Armpad Kit		1
6	10BLKPADKIT	10" Black Armpad Kit		1
7	9003/10/02BLK	Armrest Panel Black		1

Front Castor Assembly

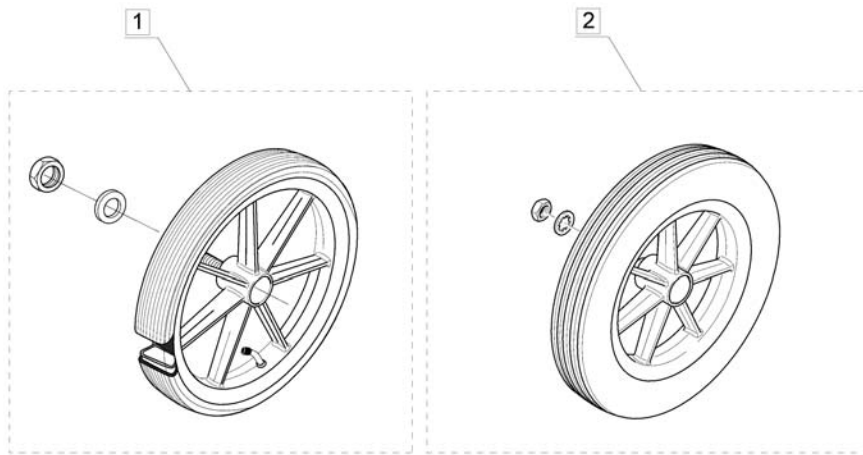


Pos.	Part number	Description	Valid from → until	Qty
1	1190/00WPBLK	Front Castor Assembly - Black Plastic (Wide Profile)		1
2	1190/00SLBLK	Front Castor Assembly - Black Plastic (Narrow Profile)		1

Self Propel Wheel Assemblies

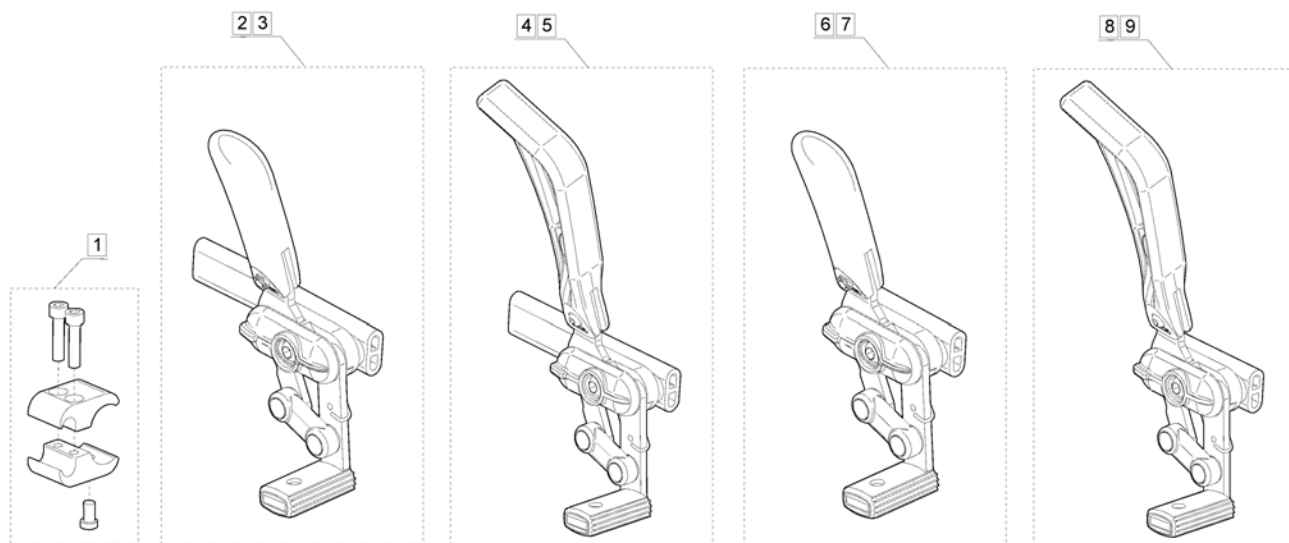


Pos.	Part number	Description	Valid from → until	Qty
1	1441969	Wheel Mounting Block Kit - Quick Release		1
2	1441970	Wheel Mounting Block Kit - Bolt On		1
3	1538590	Bolt On Wheel Fixing Kit		1
4	1020/00SQRSOLBLK	20" Spoked Solid Wheel Assembly		1
5	1422181	22" Spoked Solid Wheel Assembly		1
6	1422182	24" Spoked Solid Wheel Assembly		1



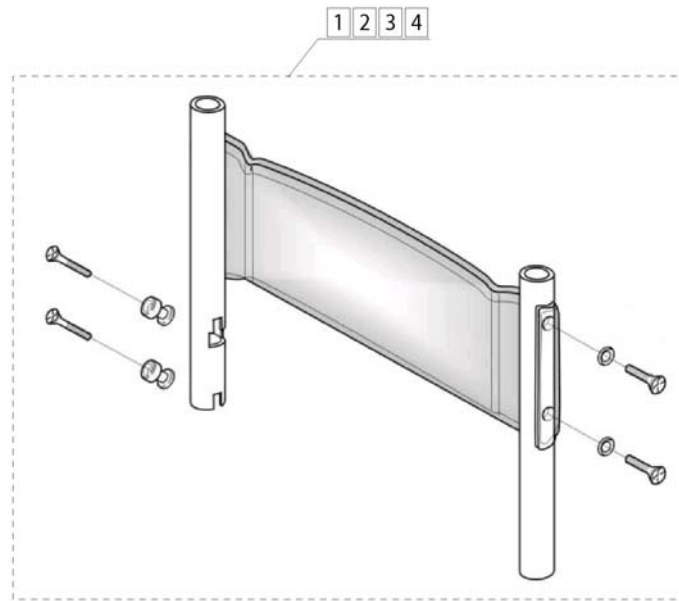
Pos.	Part number	Description	Valid from → until	Qty
1	1315/02PNUBLK	Pneumatic Plastic 315mm Wheel - Black		1
2	1315/02WPBLK	Solid Plastic Wheel 315mm - Black		1

Brake Assemblies



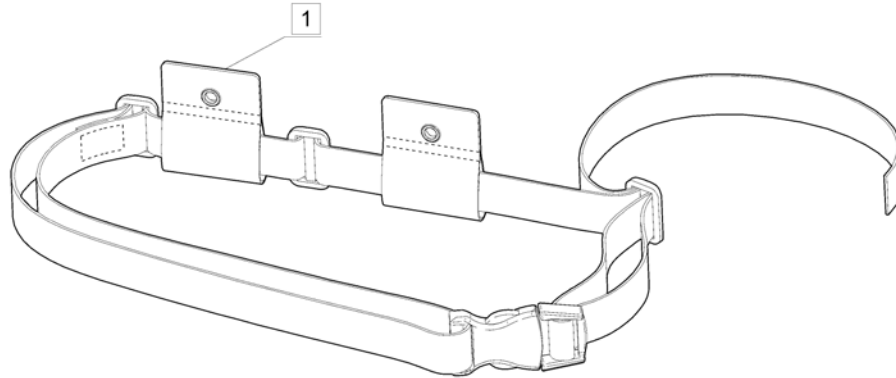
Pos.	Part number	Description	Valid from → until	Qty
1	6003039	Brake Fixation Kit		1
2	1425642	Self Propel Brake Assembly LH		1
3	1425643	Self Propel Brake Assembly RH		1
4	1425640	Self Propel Extended Brake Assembly LH		1
5	1425641	Self Propel Extended Brake Assembly RH		1
6	1444886	Transit Brake Assembly LH		1
7	1444885	Transit Brake Assembly RH		1
8	1448631	Transit Extended Brake Assembly LH		1
9	1448630	Transit Extended Brake Assembly RH		1

Backrest Extensions



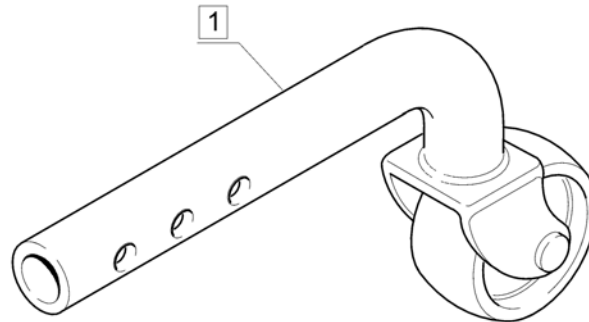
Pos.	Part number	Description	Valid from → until	Qty
1	1528956	15" Backrest Extension Kit Black Nylon		1
2	1528957	16" Backrest Extension Kit Black Nylon		1
3	1528958	17" Backrest Extension Kit Black Nylon		1
4	1528959	18" Backrest Extension Kit Black Nylon		1

Strap Assemblies



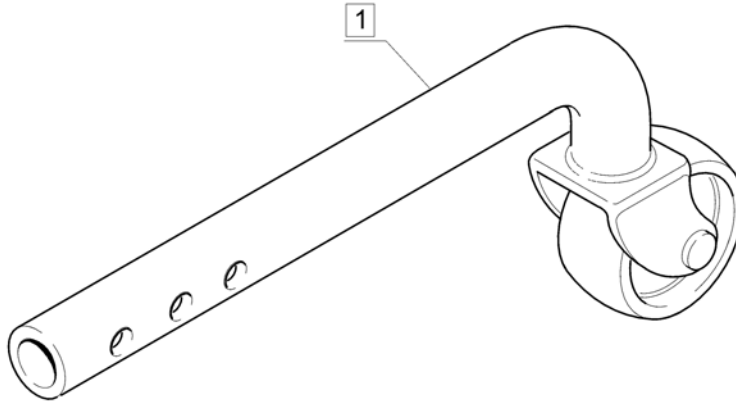
Pos.	Part number	Description	Valid from → until	Qty
1	1WLS1002	Lap Belt		1

Transit Wheel Anti Tip Assembly



Pos.	Part number	Description	Valid from → until	Qty
1	2000/70	Anti Tip Assembly		1

Self Propel Wheel Anti Tip Assembly



Pos.	Part number	Description	Valid from → until	Qty
1	7017/82	Anti Tip Assembly		1



Yes, you can.®



Belgium & Luxemburg:

Invacare nv, Autobaan 22, B-8210 Loppem
Tel: (32) (0)50 83 10 10, Fax: (32) (0)50 83 10 11
belgium@invacare.com

Danmark:

Invacare A/S, Sdr. Ringvej 37, DK-2605 Brøndby
Tel: (45) (0)36 90 00 00, Fax: (45) (0)36 90 00 01
denmark@invacare.com

Deutschland:

Invacare Aquatec GmbH, Alemannenstraße 10, D-88316 Isny
Tel: (49) (0)75 62 7 00 0, Fax: (49) (0)75 62 7 00 66
info@invacare-aquatec.com

European Distributor Organisation:

Invacare, Kleiststraße 49, D-32457 Porta Westfalica
Tel: (49) (0)57 31 754 540, Fax: (49) (0)57 31 754 541
edo@invacare.com

España:

Invacare SA, c/Areny s/n, Polígon Industrial de Celrà, E-17460 Celrà (Girona)
Tel: (34) (0)972 49 32 00, Fax: (34) (0)972 49 32 20
contactsp@invacare.com

France:

Invacare Poirier SAS, Route de St Roch, F-37230 Fondettes
Tel: (33) (0)2 47 62 64 66, Fax: (33) (0)2 47 42 12 24
contactfr@invacare.com

Ireland:

Invacare Ireland Ltd, Unit 5 Seatown Business Campus, Seatown Road, Swords, County Dublin - Ireland
Tel: (353) 1 810 7084, fax: (353) 1 810 7085
ireland@invacare.com

Italia:

Invacare Mecc San s.r.l., Via dei Pini 62, I-36016 Thiene (VI)
Tel: (39) 0445 38 00 59, Fax: (39) 0445 38 00 34
italia@invacare.com

Nederland:

Invacare BV, Celsiusstraat 46, NL-6716 BZ Ede
Tel: (31) (0)318 695 757, Fax: (31) (0)318 695 758
nederland@invacare.com, cse@invacare.com

Norge:

Invacare AS, Grensesvingen 9, Postboks 6230, Etterstad, N-0603 Oslo
Tel: (47) (0)22 57 95 00, Fax: (47) (0)22 57 95 01
norway@invacare.com, island@invacare.com

Österreich:

Mobitec Mobilitätshilfen GmbH, Herzog Odilostrasse 101, A-5310 Mondsee
Tel: (43) 6232 5535 0, Fax: (43) 6232 5535 4
office@mobitec-austria.com, austria@invacare.com

Portugal:

Invacare Lda, Rua Estrada Velha, 949, P-4465-784 Leça do Balio
Tel: (351) (0)225 1059 46147, Fax: (351) (0)225 1057 39
portugal@invacare.com

Sverige & Suomi:

Invacare AB, Fagerstagatan 9, S-163 91 Spånga
Tel: (46) (0)8 761 70 90, Fax: (46) (0)8 761 81 08
sweden@invacare.com, finland@invacare.com

Switzerland:

Mobitec Rehab AG, Benkenstrasse 260, CH-4108 Witterswil
Tel: (41) (0)61 487 70 80, Fax: (41) (0)61 487 70 81
office@mobitec-rehab.ch, switzerland@invacare.com

United Kingdom:

Invacare Limited, Pencoed Technology Park, Pencoed, Bridgend CF35 5HZ
Switchboard Tel: (44) (0)1656 776200, Fax: (44) (0)1656 776201
Customer services Tel: (44) (0)1656 776222, Fax: (44) (0)1656 776220
UK@invacare.com