

Spare Parts Catalogue

Version: 2008/09/29a EN



Invacare[®] **Action[®] 3**



Yes, you can.®

General Information

For any order of spare parts the following information is required:

- Product type*
- Product name & model*
- Serial Number*
- Part-Number*
- Part-Description*

Exploded view drawings and code numbers are not contractual and subject to modification, in relation to Invacare® continuous product improvement policy to meet end users needs.

The reproduction or use of this work, or of any substantial part of this work, in any form or by any electronic, mechanical or other means, including photocopying, scanning and recording, and in any information storage and retrieval system, including electronic transmission, is forbidden without the prior written permission of Invacare® International Sarl.



Yes, you can.®

TABLE OF CONTENTS

Chassis

Side Frame <01/2005	7
Side Frame >01/2005	8
Folding System	9

Seat

Seat Upholstery	10
Padded Seats Upholsteries	11
Adjustable Depth Seat Upholstery	12
Confort Seat Upholstery	13
Padded Seats Upholsteries And Mistral Cushions	14
Anatomic Seat Adjustable	15

Backrest

Fixed Backrest	16
Fixed Backrest, Height Adjustable, Push Handle	17
Fixed Backrest 35 Cm Xtra	18
Adjustable Backrest From -6° To +24°	19
Recliner Backrest 0° To 30°, Ratchet	20
Recliner Backrest 0° To 30°, Gaz Spring	21
Fold Down Backrest	22
Laguna backrests	23
Backrest Upholstery	24
Backrest Upholstery For Height Adjustable Backrest	25
Tension Adjustable Backrest Upholstery	26
Comfort Upholstery	27

Legrests

Hanger fixed 80°	28
Legrest 90°, fixed	29
Assembly Legrest, Fixed Footrest	30
Assembly Legrest, Adjustable Footrest	31
Adjustable Legrest	32
Calf Pad	33
Plaster Legrest Complete	34
Amputee Legrest	35

Footrests

Footrest	36
Footrest Angle Adjustable	37
Footrest Angle & Depth Adjustable	38
One piece footplate	39

Siderests

Height Adjustable Armrest 1	40
Swing Away & Detachable Armrest 2	41
Height Adjustable Armrest 3	42
Height Adjustable Comfort Armrest	43



Yes, you can.®

TABLE OF CONTENTS

Height Adjustable Monobloc Armrest	44
Height Adjustable Armrest 3, Germany <12/2004	45
Hemi Dartex Armpad Multiposition	46
Hemiplegic Armrest Support	47
Hemiplegic Armrest Support, Germany	48
Armpad Hemi Motion Simple Adjustable	49
Armpad Hemi Motion Multi Adjustable	50
Mudguard Xtra	51

Front Wheels

Forks <01/2005	52
Forks >01/2005	53
Fork Compact	54
Front castors	55
Front castor 5" Compact	56

Rear Wheels

24" Standard Wheels < 03/2007	57
24" Standard Wheels > 03/2007	58
24" Standard Wheels accessories	59
22" Standard Wheels < 03/2007	60
22" Standard Wheels > 03/2007	61
22" Standard Wheels accessories	62
20" Standard Wheels Compact	63
20" Standard Wheels accessories Compact	64
24"/22" Hub brake wheels with accessories < 06/2007	65
24"/22" Hub brake wheels with accessories > 06/2007	66
Rear Wheel Supports & Pump	67

Brakes

Push Brakes : Standard And With Extension	68
Attendant Hub Brake	69
24"/22" Hub brake wheels with accessories < 06/2007	65
24"/22" Hub brake wheels with accessories > 06/2007	66
Oad Wire Control Brake	70

Safety Options

Lapt belts	71
Rear Anti Tipper And Tipping Tube	72
Rear Anti Tippers	73
Reflectors	74
Transfer Kit	75

Seating Options

Standard Headrest	76
Comfort Headrest	77
Cushions	78
Trunk Support	79
Trunk Support Comfort Dartex	80
Heel Strap, Calf Strap	81



Yes, you can.®

TABLE OF CONTENTS

Back Brace	82
Hanger Adaptator	83

Propulsion Options

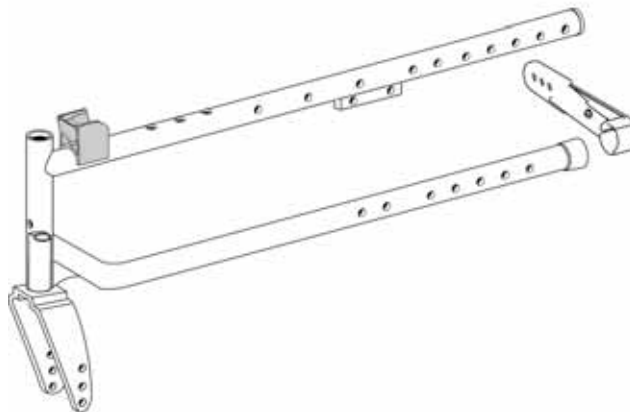
Transit Rear Wheel, Push Brake < 12/2007	84
Transit Rear Wheel, Hub Brake < 12/2007	85
Dual Handrim, Fixed Axle	86
Dual hand rim, fixed axle wheels	87
Dual handrim QR axle > 10/2007	88
Hand Control For Oad By Lever	89
Oad By Lever	90
Wheels For Oad By Lever	91
Spigot Kit, Spoke Guards (pair)	92
Dual Amputee Position	93
Front wheel extension kit	94

Others Options & Accessories

Cane Holder - Tipping Tube - Back Bag	95
Transparent Tray	96
Comfort Tray	97
Dripstand	98

□ 01 / 2005

	mm	40 cm	mm	45 cm
Dark red	60	1	60	11
	36	2	36	12
Sapphire blue	60	3	60	13
	36	4	36	14
Anthracite black	60	5	60	15
	36	6	36	16
Pearl grey	60	7	60	17
	36	8	36	18
Purple	60	9	60	-
	36	10	36	-

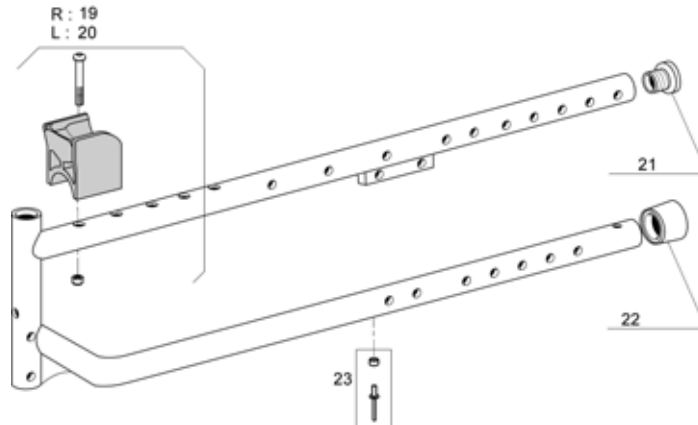


Pos.	Part number	Description	Qty
1	1515049	Pair of Action 3 Side Frame D 40 cm Dark Red With 60 mm Front Fork	1
2	1515215	Pair of Action 3 Side Frame D 40 cm Dark Red With 36 mm Front Fork	1
3	1515050	Pair of Action 3 Side Frame D 40 cm Sapphire Blue With 60 mm Front Fork	1
4	1515216	Pair of Action 3 Side Frame D 40 cm Sapphire Blue With 36 mm Front Fork	1
5	1515051	Pair of Action 3 Side Frame D 40 cm Anthracite Blak With 60 mm Front Fork	1
6	1515217	Pair of Action 3 Side Frame D 40 cm Anthracite Blak With 36 mm Front Fork	1
7	1515116	Pair of Action 3 Side Frame D 40 cm Pearl Grey With 60 mm Front Fork	1
8	1515218	Pair of Action 3 Side Frame D 40 cm Pearl Grey With 36 mm Front Fork	1
9	1515117	Pair of Action 3 Side Frame D 40 cm Purple With 60 mm Front Fork	1
10	1515219	Pair of Action 3 Side Frame D 40 cm Purple With 36 mm Front Fork	1
11	1515118	Pair of Action 3 Side Frame D 45 cm Dark Red With 60 mm Front Fork	1
12	1515220	Pair of Action 3 Side Frame D 45 cm Dark Red With 36 mm Front Fork	1
13	1515211	Pair of Action 3 Side Frame D 45 cm Sapphire Blue With 60 mm Front Fork	1
14	1515221	Pair of Action 3 Side Frame D 45 cm Sapphire Blue With 36 mm Front Fork	1
15	1515212	Pair of Action 3 Side Frame D 45 cm Anthracite Blak With 60 mm Front Fork	1
16	1515222	Pair of Action 3 Side Frame D 45 cm Anthracite Blak With 36 mm Front Fork	1
17	1515213	Pair of Action 3 Side Frame D 45 cm Pearl Grey With 60 mm Front Fork	1
18	1515223	Pair of Action 3 Side Frame D 45 cm Pearl Grey With 36 mm Front Fork	1

Side Frame >01/2005

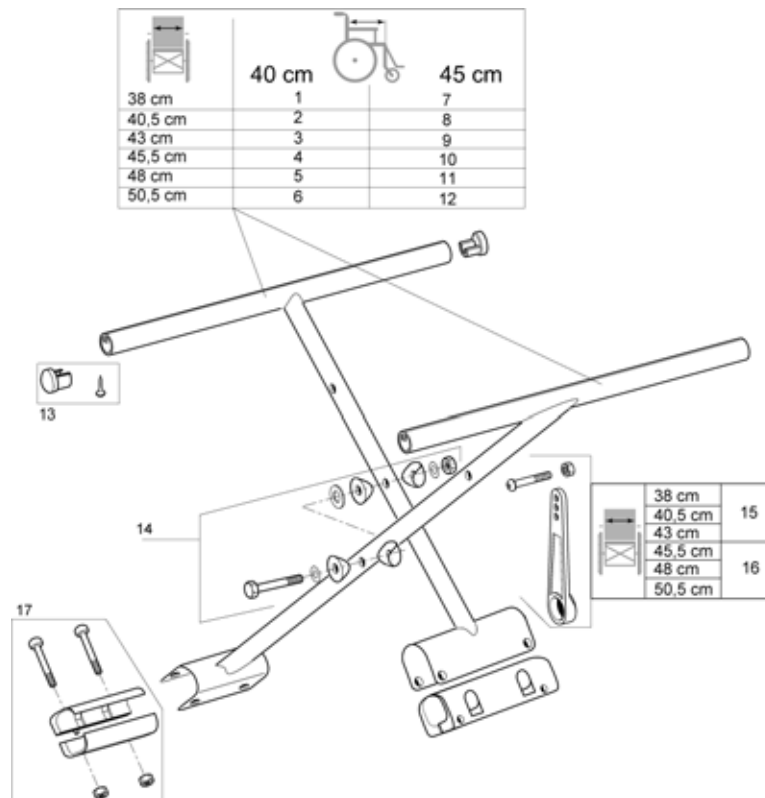
01 / 2005 □

		40 cm	45 cm
Dark red	R :	1	11
	L :	2	12
Sapphire blue	R :	3	13
	L :	4	14
Anthracite black	R :	5	15
	L :	6	16
Pearl grey	R :	7	17
	L :	8	18
Purple	R :	9	-
	L :	10	-



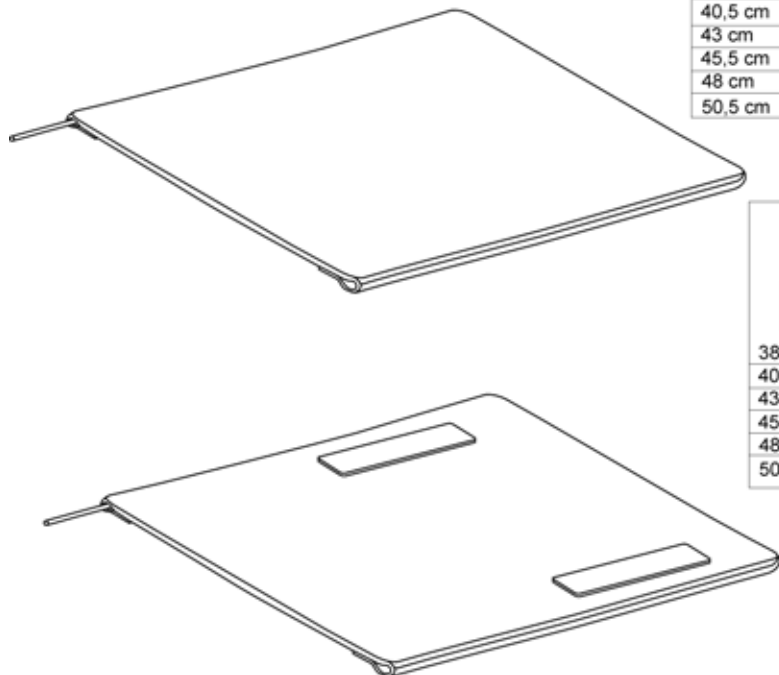
Pos.	Part number	Description	Qty
1	1449981-0607	Side Frame Rh D 40Cm Dark Red > 01/2005	1
2	1449982-0607	Side Frame Lh D 40Cm Dark Red > 01/2005	1
3	1449981-0608	Side Frame Rh D 40Cm Sapphire Blue > 01/2005	1
4	1449982-0608	Side Frame Lh D 40Cm Sapphire Blue > 01/2005	1
5	1449981-0609	Side Frame Rh D 40Cm Anthracite Black > 01/2005	1
6	1449982-0609	Side Frame Lh D 40Cm Anthracite Black > 01/2005	1
7	1449981-0515	Side Frame Rh D 40Cm Pearl Grey > 01/2005	1
8	1449982-0515	Side Frame Lh D 40Cm Pearl Grey > 01/2005	1
9	1449981-0611	Side Frame Rh D 40Cm Purple > 01/2005	1
10	1449982-0611	Side Frame Lh D 40Cm Purple > 01/2005	1
11	1449983-0607	Side Frame Rh D 45Cm Dark Red > 01/2005	1
12	1449984-0607	Side Frame Lh D 45Cm Dark Red > 01/2005	1
13	1449983-0608	Side Frame Rh D 45Cm Sapphire Blue > 01/2005	1
14	1449984-0608	Side Frame Lh D 45Cm Sapphire Blue > 01/2005	1
15	1449983-0609	Side Frame Rh D 45Cm Anthracite Black > 01/2005	1
16	1449984-0609	Side Frame Lh D 45Cm Anthracite Black > 01/2005	1
17	1449983-0515	Side Frame Rh D 45Cm Pearl Grey > 01/2005	1
18	1449984-0515	Side Frame Lh D 45Cm Pearl Grey > 01/2005	1
19	1434127	Cross Brace Support Kit Rh	1
20	1434128	Cross Brace Support Kit Lh	1
21	1418112	Crossbrace back cap	1
22	0021N05386	1" cap	1
23	1431304	Cross Brace Rivet & Washer Kit	1

Folding System



Pos.	Part number	Description	Qty
1	1428876-0601	Cross Brace Complete Mechanism W 38Cm X D 40Cm	1
2	1428877-0601	Cross Brace Complete Mechanism W 40,5Cm X D 40Cm	1
3	1428878-0601	Cross Brace Complete Mechanism W 43Cm X D 40Cm	1
4	1428879-0601	Cross Brace Complete Mechanism W 45,5Cm X D 40Cm	1
5	1428880-0601	Cross Brace Complete Mechanism W 48Cm X D 40Cm	1
6	1428881-0601	Cross Brace Complete Mechanism W 50,5Cm X D 40Cm	1
7	1428882-0601	Cross Brace Complete Mechanism W 38Cm X D 45Cm	1
8	1428883-0601	Cross Brace Complete Mechanism W 40,5Cm X D 45Cm	1
9	1428884-0601	Cross Brace Complete Mechanism W 43Cm X D 45Cm	1
10	1428885-0601	Cross Brace Complete Mechanism W 45,5Cm X D 45Cm	1
11	1428886-0601	Cross Brace Complete Mechanism W 48Cm X D 45Cm	1
12	1428887-0601	Cross Brace Complete Mechanism W 50,5Cm X D 45Cm	1
13	1431307	Seat End Cap Kit	1
14	1431308	Cross Brace Axle Kit	1
15	1431306	Cross Brace Strut W 38Cm/43Cm	1
16	1430872	Cross Brace Strut W 45,5Cm/50,5Cm	1
17	1431305	Crossbrace Sleeve	1

Seat Upholstery





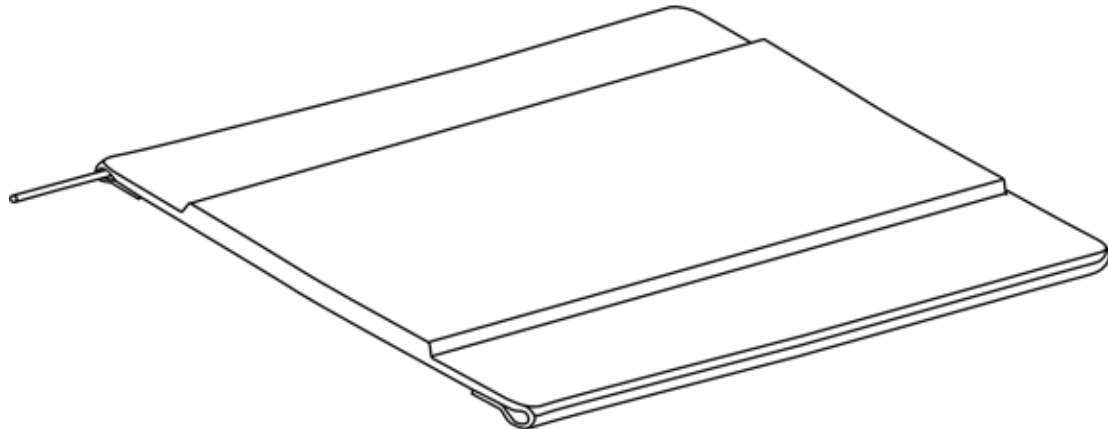
	40 cm	45 cm
38 cm	1	7
40,5 cm	2	8
43 cm	3	9
45,5 cm	4	10
48 cm	5	11
50,5 cm	6	12

	40 cm	45 cm
38 cm	13	19
40,5 cm	14	20
43 cm	15	21
45,5 cm	16	22
48 cm	17	23
50,5 cm	18	24

Pos.	Part number	Description	Qty
1	1428840	Basic Seat Upholstery W 38Cm X D 40Cm	1
2	1428841	Basic Seat Upholstery W 40,5Cm X D 40Cm	1
3	1428842	Basic Seat Upholstery W 43Cm X D 40Cm	1
4	1428843	Basic Seat Upholstery W 45,5Cm X D 40Cm	1
5	1428844	Basic Seat Upholstery W 48Cm X D 40Cm	1
6	1428845	Basic Seat Upholstery W 50,5Cm X D 40Cm	1
7	1428846	Basic Seat Upholstery W 38Cm X D 45Cm	1
8	1428847	Basic Seat Upholstery W 40,5Cm X D 45Cm	1
9	1428848	Basic Seat Upholstery W 43Cm X D 45Cm	1
10	1428849	Basic Seat Upholstery W 45,5Cm X D 45Cm	1
11	1428850	Basic Seat Upholstery W 48Cm X D 45Cm	1
12	1428851	Basic Seat Upholstery W 50,5Cm X D 45Cm	1
13	1428852	Standard Seat Upholstery W 38Cm X D 40Cm	1
14	1428853	Standard Seat Upholstery W 40,5Cm X D 40Cm	1
15	1428854	Standard Seat Upholstery W 43Cm X D 40Cm	1
16	1428855	Standard Seat Upholstery W 45,5Cm X D 40Cm	1
17	1428856	Standard Seat Upholstery W 48Cm X D 40Cm	1
18	1428857	Standard Seat Upholstery W 50,5Cm X D 40Cm	1
19	1428858	Standard Seat Upholstery W 38Cm X D 45Cm	1
20	1428859	Standard Seat Upholstery W 40,5Cm X D 45Cm	1
21	1428860	Standard Seat Upholstery W 43Cm X D 45Cm	1
22	1428861	Standard Seat Upholstery W 45,5Cm X D 45Cm	1
23	1428862	Standard Seat Upholstery W 48Cm X D 45Cm	1
24	1428863	Standard Seat Upholstery W 50,5Cm X D 45Cm	1

Padded Seats Upholsteries

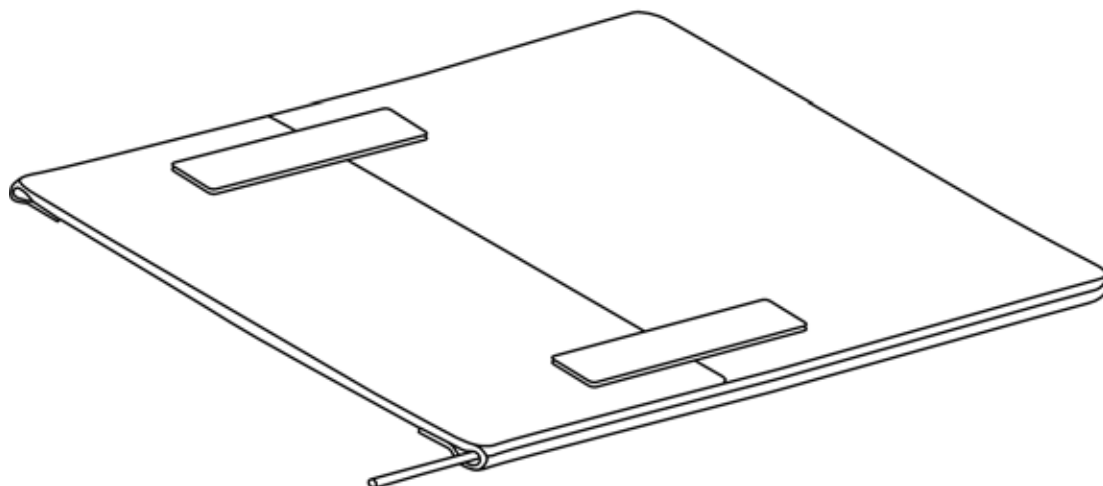
	40 cm		45 cm
38 cm	1		7
40,5 cm	2		8
43 cm	3		9
45,5 cm	4		10
48 cm	5		11
50,5 cm	6		12



Pos.	Part number	Description	Qty
1	1428864	Padded Seat Upholstery W 38Cm X D 40Cm	1
2	1428865	Padded Seat Upholstery W 40,5Cm X D 40Cm	1
3	1428866	Padded Seat Upholstery W 43Cm X D 40Cm	1
4	1428867	Padded Seat Upholstery W 45,5Cm X D 40Cm	1
5	1428868	Padded Seat Upholstery W 48Cm X D 40Cm	1
6	1428869	Padded Seat Upholstery W 50,5Cm X D 40Cm	1
7	1428870	Padded Seat Upholstery W 38Cm X D 45Cm	1
8	1428871	Padded Seat Upholstery W 40,5Cm X D 45Cm	1
9	1428872	Padded Seat Upholstery W 43Cm X D 45Cm	1
10	1428873	Padded Seat Upholstery W 45,5Cm X D 45Cm	1
11	1428874	Padded Seat Upholstery W 48Cm X D 45Cm	1
12	1428875	Padded Seat Upholstery W 50,5Cm X D 45Cm	1

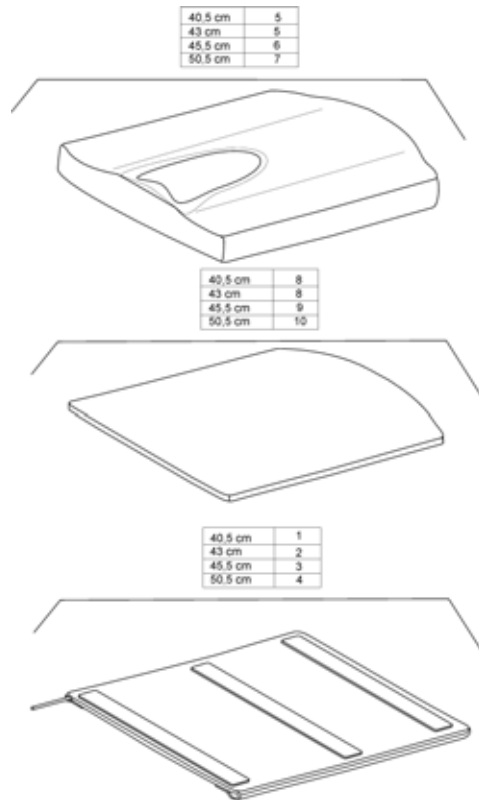
Adjustable Depth Seat Upholstery

38 cm	1
40,5 cm	2
43 cm	3
45,5 cm	4
48 cm	5
50,5 cm	6



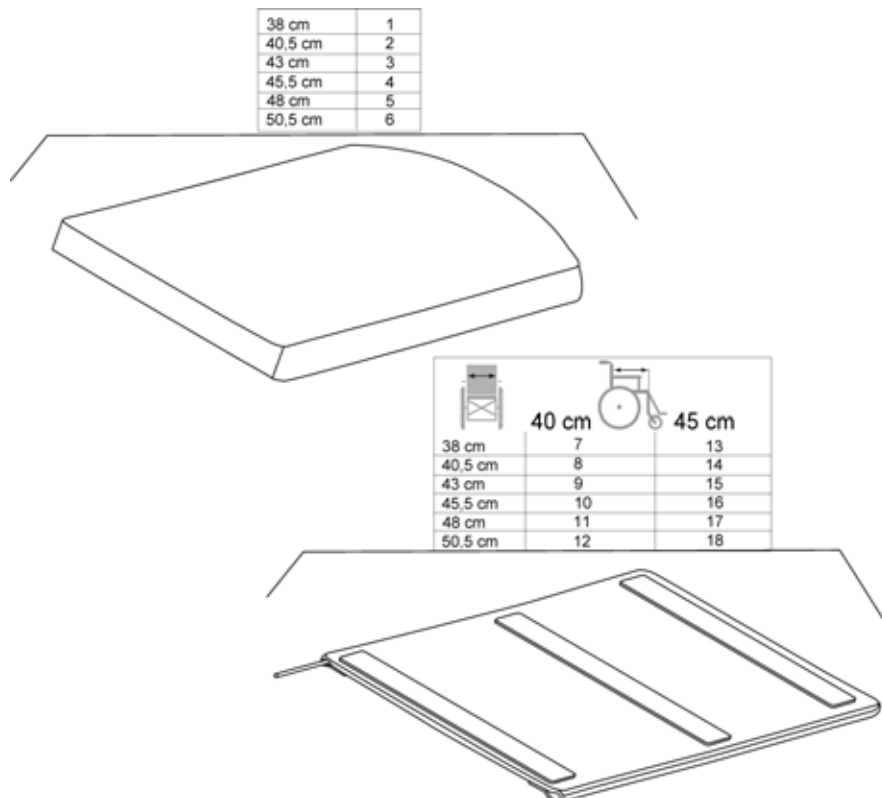
Pos.	Part number	Description	Qty
1	1437580	Adjustable Depth Seat Upholstery W 38Cm	1
2	1437581	Adjustable Depth Seat Upholstery W 40,5Cm	1
3	1437582	Adjustable Depth Seat Upholstery W 43Cm	1
4	1437583	Adjustable Depth Seat Upholstery W 45,5Cm	1
5	1437584	Adjustable Depth Seat Upholstery W 48Cm	1
6	1437585	Adjustable Depth Seat Upholstery W 50,5Cm	1

Confort Seat Upholstery




Pos.	Part number	Description	Qty
1	1440918	Comfort Seat Upholstery W 40,5Cm X D 45 Cm	1
2	1440919	Comfort Seat Upholstery W 43Cm X D 45 Cm	1
3	1440920	Comfort Seat Upholstery W 45,5Cm X D 45 Cm	1
4	1440921	Comfort Seat Upholstery W 50,5Cm X D 45 Cm	1
5	5255329-TR23	Comfort Cushion W 40,5/43Cm X D 45 Cm	1
6	5255330-TR23	SEAT CUSHION MISTRAL,MED	1
7	5255331-TR23	Comfort Cushion W 50,5Cm X D 45 Cm	1
8	1437605	Cushion Board W 40,5/43Cm X D 45 Cm	1
9	1437606	Cushion Board W 45,5Cm X D 45 Cm	1
10	1437607	Cushion Board W 50,5Cm X D 45 Cm	1

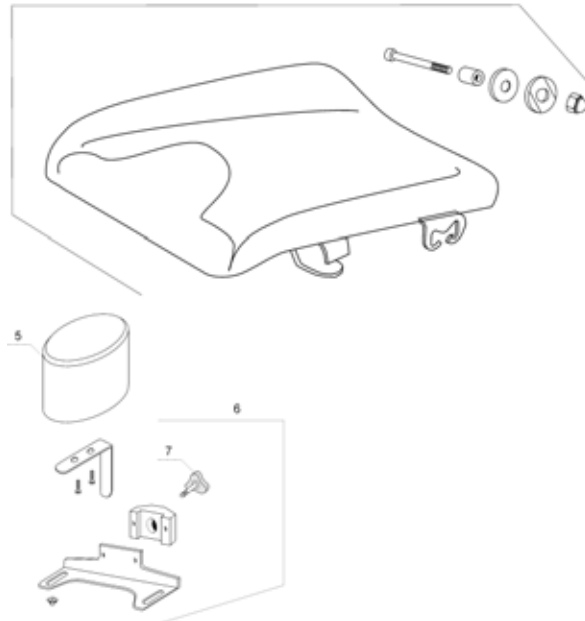
Padded Seats Upholsteries And Mistral Cushions



Pos.	Part number	Description	Qty
1	1450115	Mistral 2 Layer Cushion W 38Cm X D 45Cm	1
2	1450116	Mistral 2 Layer Cushion W 40,5Cm X D 45Cm	1
3	1450117	Mistral 2 Layer Cushion W 43Cm X D 45Cm	1
4	1450118	Mistral 2 Layer Cushion W 45,5Cm X D 45Cm	1
5	1450119	Mistral 2 Layer Cushion W 48Cm X D 45Cm	1
6	1450120	Mistral 2 Layer Cushion W 50,5Cm X D 45Cm	1
7	1450067	Comfort Seat Upholstery W 38Cm X D 40Cm	1
8	1450068	Comfort Seat Upholstery W 40,5Cm X D 40Cm	1
9	1450069	Comfort Seat Upholstery W 43Cm X D 40Cm	1
10	1450070	Comfort Seat Upholstery W 45,5Cm X D 40Cm	1
11	1450071	Comfort Seat Upholstery W 48Cm X D 40Cm	1
12	1450072	Comfort Seat Upholstery W 50,5Cm X D 40Cm	1
13	1450123	Comfort Seat Upholstery W 38Cm X D 45Cm	1
14	1440918	Comfort Seat Upholstery W 40,5Cm X D 45 Cm	1
15	1440919	Comfort Seat Upholstery W 43Cm X D 45 Cm	1
16	1440920	Comfort Seat Upholstery W 45,5Cm X D 45 Cm	1
17	1450124	Comfort Seat Upholstery W 48Cm X D 45Cm	1
18	1440921	Comfort Seat Upholstery W 50,5Cm X D 45 Cm	1

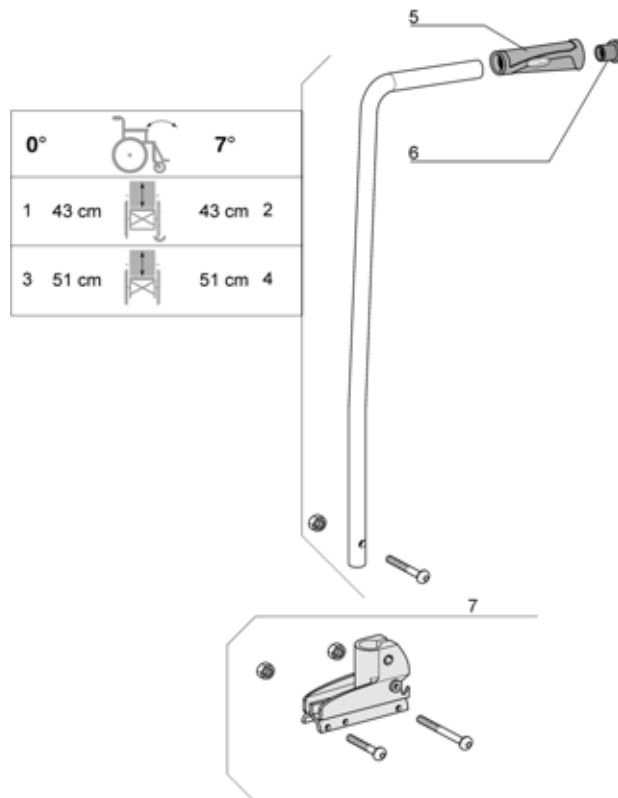
Anatomic Seat Adjustable

	45 cm
43 cm	1
45,5 cm	2
48 cm	3
50,5 cm	4



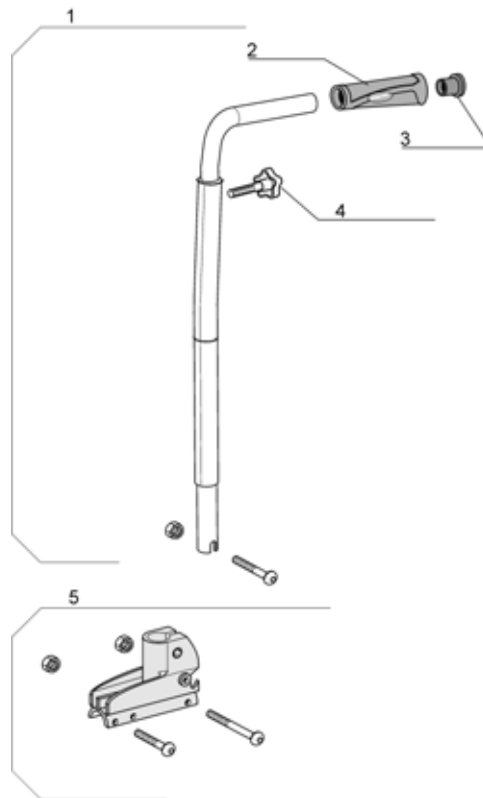
Pos.	Part number	Description	Qty
1	1485159	Anatomic Seat Adjustable W 43Cm	1
2	1485160	Anatomic Seat Adjustable W 45,5Cm	1
3	1485161	Anatomic Seat Adjustable W 50,5Cm	1
4	1485535	Seat Frame Fixation	1
5	1444171	Abduction Pad Dartex	1
6	1485201	Abduction Support Kit Anatomic Seat	1
7	5221115	Knob M8 X 25	1

Fixed Backrest



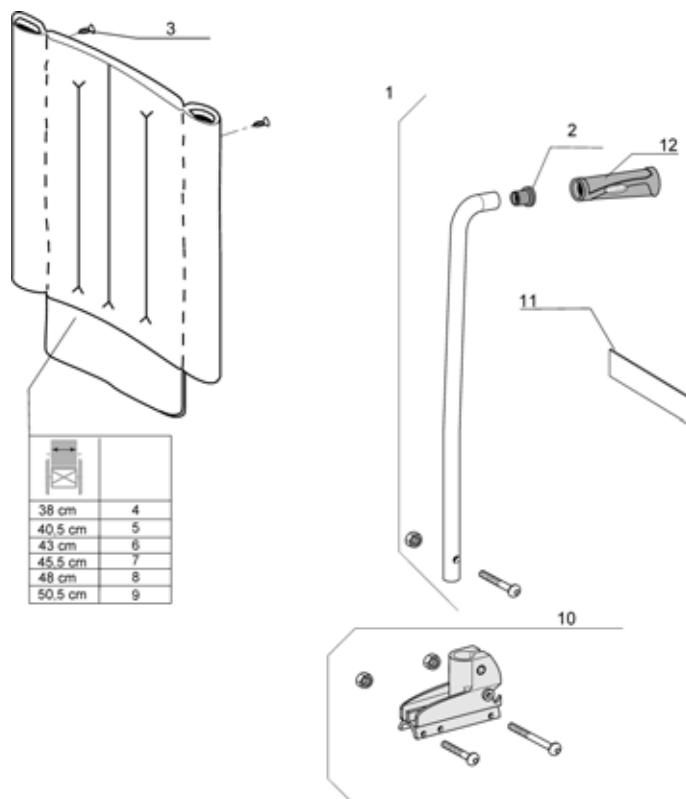
Pos.	Part number	Description	Qty
1	1430844	Backrest 0°/43Cm Cane Kit	1
2	1430846	Backrest 7°/43Cm Cane Kit	1
3	1430845	Backrest 0°/51Cm Cane Kit	1
4	1430847	Backrest 7°/51Cm Cane Kit	1
5	1435421	Handle Plastic Black, "Invacare"	1
6	1418112	Crossbrace back cap	1
7	1430848	Fixed Backrest Support Kit	1

Fixed Backrest, Height Adjustable, Push Handle



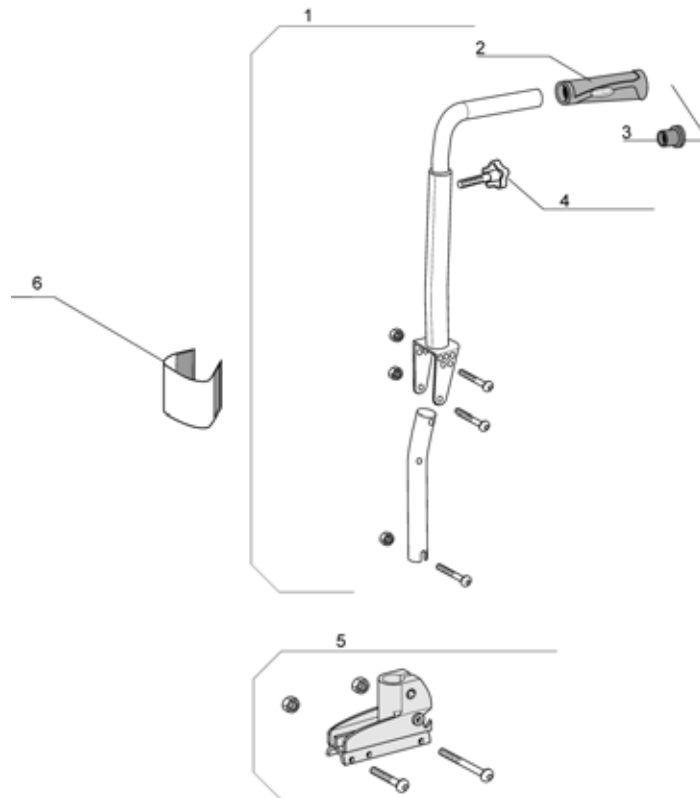
Pos.	Part number	Description	Qty
1	1428641-0601	Adjustable Push Handle Backrest Complete	1
2	1435421	Handle Plastic Black, "Invacare"	1
3	1418112	Crossbrace back cap	1
4	0021-60029	32 mm M6 x 16 Button	1
5	1430848	Fixed Backrest Support Kit	1

Fixed Backrest 35 Cm Xtra



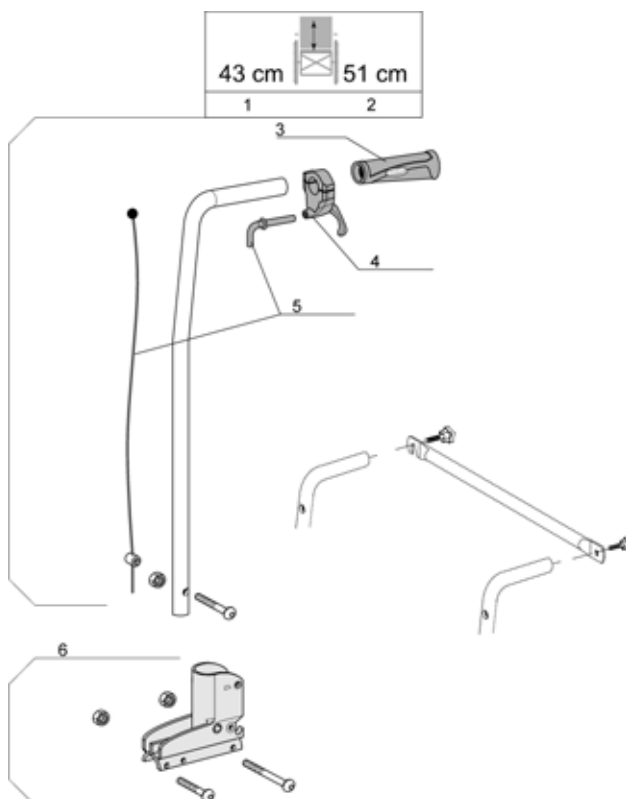
Pos.	Part number	Description	Qty
1	1485911	Fixed Backrest Cane 35cm	1
2	1418112	Crossbrace back cap	1
3	1428603	Zinc St 4,8-20F Fbx Screw	1
4	1485913	Backrest Upholstery W 38Cm X H 35Cm	1
5	1485914	Backrest Upholstery W 40,5Cm X H 35Cm	1
6	1486038	Backrest Upholstery W 43Cm X H 35Cm	1
7	1486039	Backrest Upholstery W 45,58Cm X H 35Cm	1
8	1488128	Backrest Upholstery W 48Cm X H 35Cm	1
9	1486040	Backrest Upholstery W 50,5Cm X H 35Cm	1
10	1430848	Fixed Backrest Support Kit	1
11	1488584	Tension Adjustable Backrest Additional Strap	1
12	1435421	Handle Plastic Black, "Invacare"	1

Adjustable Backrest From -6° To +24°



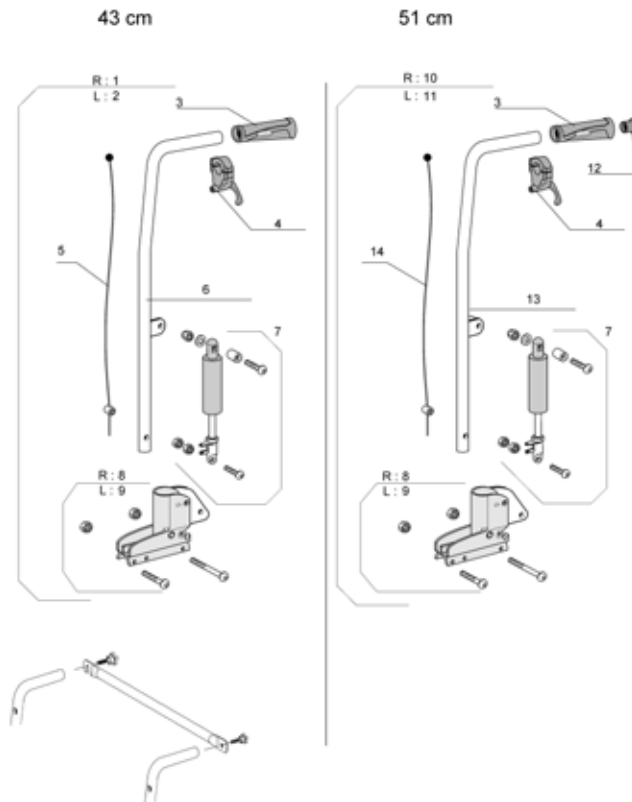
Pos.	Part number	Description	Qty
1	1443021	-6°/+24° Backrest Cane Kit	1
2	1435421	Handle Plastic Black, "Invacare"	1
3	1418112	Crossbrace back cap	1
4	0021-60029	32 mm M6 x 16 Button	1
5	1430848	Fixed Backrest Support Kit	1
6	1442721	Protector Of Backrest Articulation	1

Recliner Backrest 0° To 30°, Ratchet



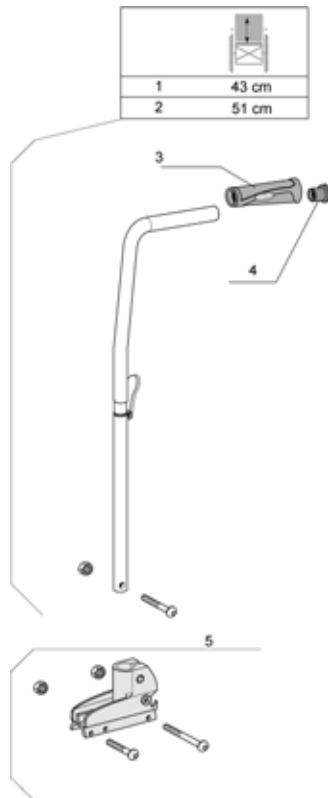
Pos.	Part number	Description	Qty
1	1434491	Reclining Backrest Cane 43 Cm (35,37,39,41 cm) Complete	1
2	1430849	Reclining Backrest Cane 51 Cm Complete	1
3	1435421	Handle Plastic Black, "Invacare"	1
4	1433747	Recliner Trigger	1
5	1430851	Recliner Cable Kit	1
6	1430850	Recliner Backrest Support Kit	1

Recliner Backrest 0° To 30°, Gaz Spring

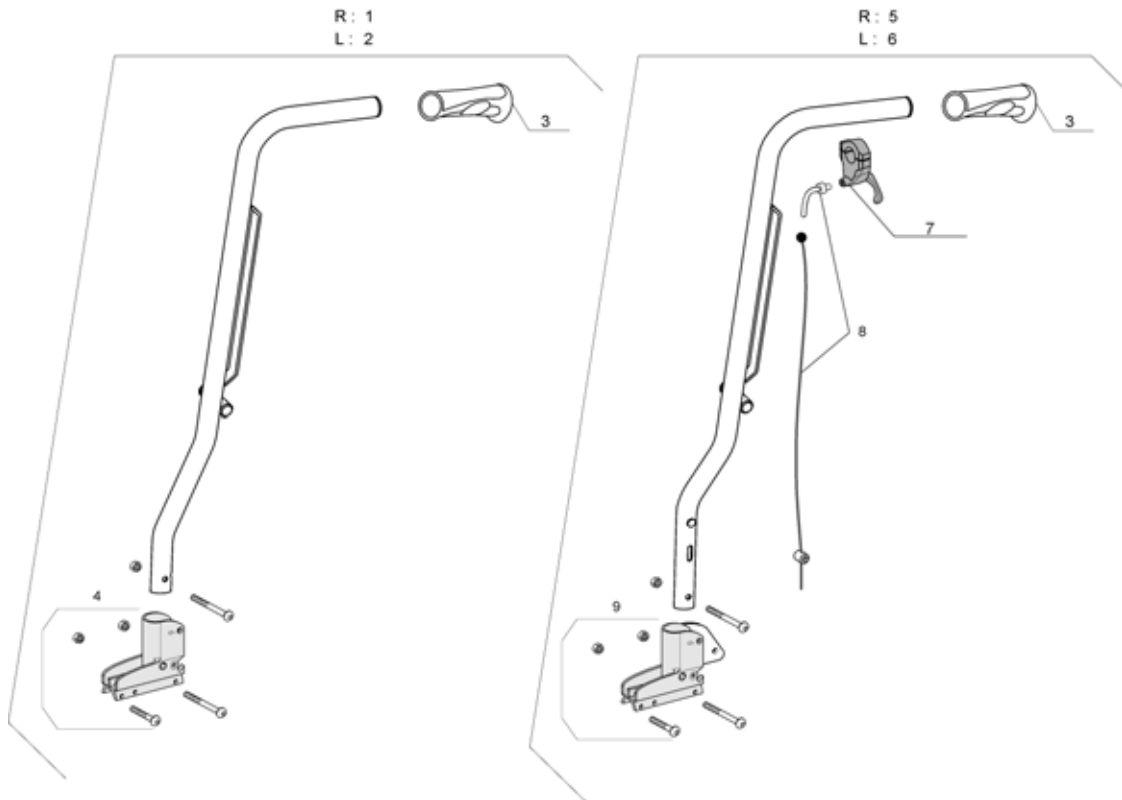


Pos.	Part number	Description	Qty
1	1442538	Reclining Rh Kit Gas Strut Backrest 43 cm	1
2	1442539	Reclining Lh Kit Gas Strut Backrest 43 cm	1
3	1435421	Handle Plastic Black, "Invacare"	1
4	1433747	Recliner Trigger	1
5	1440937	Recliner Gas Cable 43 cm	1
6	1484055-0699	Recliner Gas Tube 43 cm	1
7	1433564	Gas Strut Kit Standard Backrest	1
8	1442507	Rh Recliner Gas Backrest Support Kit	1
9	1442513	Lh Recliner Gas Backrest Support Kit	1
10	1442534	Reclining Rh Kit Gas Strut Backrest 51 Cm	1
11	1442540	Reclining Lh Kit Gas Strut Backrest 51 Cm	1
12	1418112	Crossbrace back cap	1
13	1484054-0699	Recliner Gas Tube 51 Cm	1
14	1485871	Recliner Gas Cable 51 cm	1

Fold Down Backrest

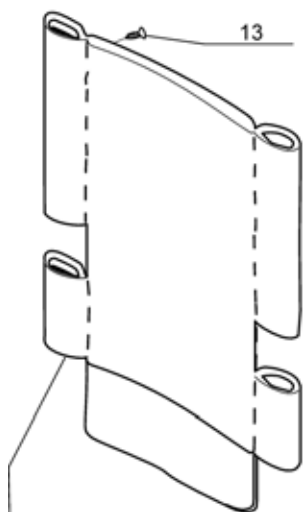


Pos.	Part number	Description	Qty
1	1434492	Folding Backrest Cane 43 cm	1
2	1430852	Folding Backrest Cane 51 Cm	1
3	1435421	Handle Plastic Black, "Invacare"	1
4	1418112	Crossbrace back cap	1
5	1430848	Fixed Backrest Support Kit	1

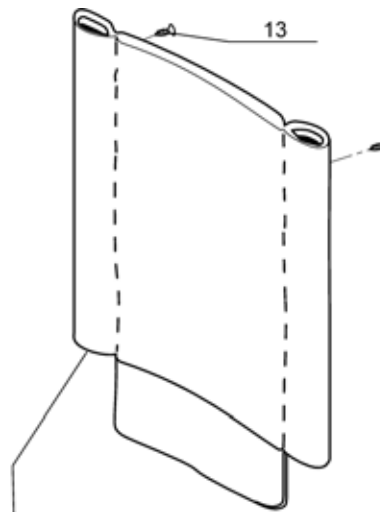


Pos.	Part number	Description	Qty
1	1515662	RH Laguna backrest fixed assy action 3	1
2	1515663	LH Laguna backrest fixed assy action 3	1
3	1435421	Handle Plastic Black, "Invacare"	1
4	1430848	Fixed Backrest Support Kit	1
5	1515650	RH Laguna backrest recliner assy action 3	1
6	1515661	LH Laguna backrest recliner assy action 3	1
7	1433747	Recliner Trigger	1
8	1430851	Recliner Cable Kit	1
9	1430850	Recliner Backrest Support Kit	1

Backrest Upholstery



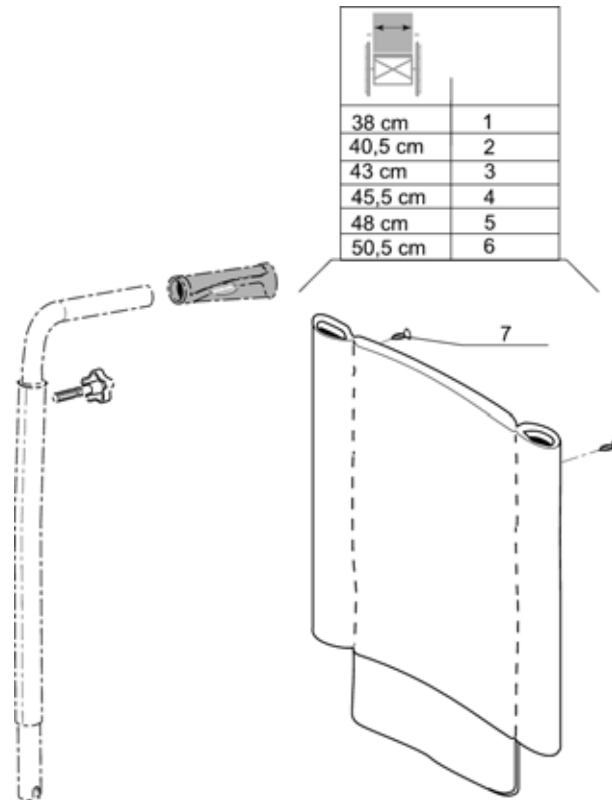
	43 cm		51 cm
38 cm	14		20
40,5 cm	15		21
43 cm	16		22
45,5 cm	17		23
48 cm	18		24
50,5 cm	19		25



	43 cm		51 cm
38 cm	1		7
40,5 cm	2		8
43 cm	3		9
45,5 cm	4		10
48 cm	5		11
50,5 cm	6		12

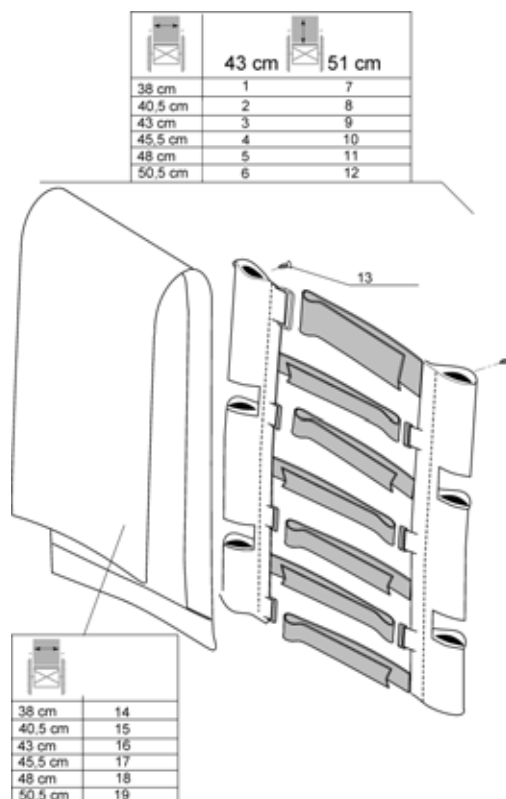
Pos.	Part number	Description	Qty
1	1428896	Padded Backrest Upholstery W 38Cm X H 43Cm	1
2	1428897	Padded Backrest Upholstery W 40,5Cm X H 43Cm	1
3	1428898	Padded Backrest Upholstery W 43Cm X H 43Cm	1
4	1428899	Padded Backrest Upholstery W 45,5Cm X H 43Cm	1
5	1428900	Padded Backrest Upholstery W 48Cm X H 43Cm	1
6	1428901	Padded Backrest Upholstery W 50,5Cm X H 43Cm	1
7	1428902	Padded Backrest Upholstery W 38Cm X H 51Cm	1
8	1428903	Padded Backrest Upholstery W 40,5Cm X H 51Cm	1
9	1428904	Padded Backrest Upholstery W 43Cm X H 51Cm	1
10	1428905	Padded Backrest Upholstery W 45,5Cm X H 51Cm	1
11	1428906	Padded Backrest Upholstery W 48Cm X H 51Cm	1
12	1428559	Padded Backrest Upholstery W 50,5Cm X H 51Cm	1
13	0029-40005	Nickel-Plated 4.8 x 16 Diameter FBZ Sheet-Metal Screw	1
14	1430291	Hollowed Back Upholstery W 38Cm X H 43Cm Rec. Gas Adj.	1
15	1430286	Hollowed Back Upholstery W 40,5Cm X H 43Cm Rec. Gas Adj.	1
16	1430287	Hollowed Back Upholstery W 43Cm X H 43Cm Rec. Gas Adj.	1
17	1430288	Hollowed Back Upholstery W 45,5Cm X H 43Cm Rec. Gas Adj.	1
18	1430289	Hollowed Back Upholstery W 48Cm X H 43Cm Rec. Gas Adj.	1
19	1430290	Hollowed Back Upholstery W 50,5Cm X H 43Cm Rec. Gas Adj.	1
20	1428560	Hollowed Back Upholstery W 38Cm X H 51Cm	1
21	1428561	Hollowed Back Upholstery W 40,5Cm X H 51Cm	1
22	1428562	Hollowed Back Upholstery W 43Cm X H 51Cm	1
23	1428563	Hollowed Back Upholstery W 45,5Cm X H 51Cm	1
24	1428564	Hollowed Back Upholstery W 48Cm X H 51Cm	1
25	1428565	Hollowed Back Upholstery W 50,5Cm X H 51Cm	1

Backrest Upholstery For Height Adjustable Backrest

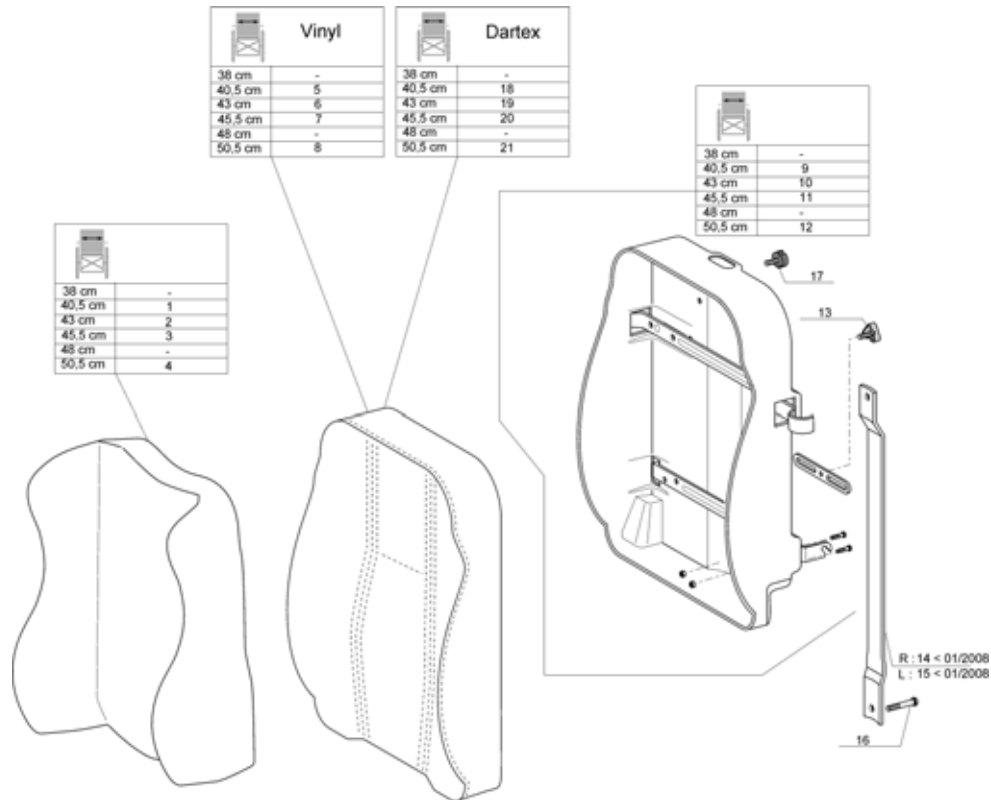


Pos.	Part number	Description	Qty
1	1428897	Padded Backrest Upholstery W 40,5Cm X H 43Cm	1
2	1428898	Padded Backrest Upholstery W 43Cm X H 43Cm	1
3	1428899	Padded Backrest Upholstery W 45,5Cm X H 43Cm	1
4	1428900	Padded Backrest Upholstery W 48Cm X H 43Cm	1
5	1428901	Padded Backrest Upholstery W 50,5Cm X H 43Cm	1
6	1432972	Backrest Upholstery (W 53Cm X H 43Cm) For Wheelchair W 50,5Cm	1
7	0029-40005	Nickel-Plated 4.8 x 16 Diameter FBZ Sheet-Metal Screw	1

Tension Adjustable Backrest Upholstery



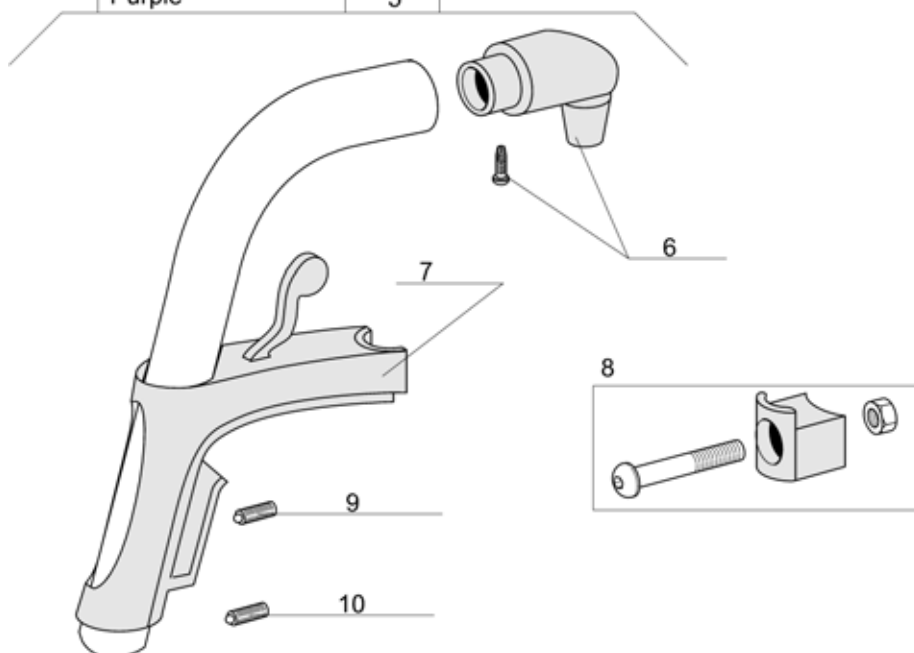
Pos.	Part number	Description	Qty
1	1523294	Adjustable Back Upholstery W 38Cm X H 43Cm	1
2	1523295	Adjustable Back Upholstery W 40,5Cm X H 43Cm	1
3	1523296	Adjustable Back Upholstery W 43Cm X H 43Cm	1
4	1523297	Adjustable Back Upholstery W 45,5Cm X H 43Cm	1
5	1523342	Adjustable Back Upholstery W 48Cm X H 43Cm	1
6	1523356	Adjustable Back Upholstery W 50,5Cm X H 43Cm	1
7	1428572	Adjustable Back Upholstery W 38Cm X H 51Cm	1
8	1428573	Adjustable Back Upholstery W 40,5Cm X H 51Cm	1
9	1428574	Adjustable Back Upholstery W 43Cm X H 51Cm	1
10	1428575	Adjustable Back Upholstery W 45,5Cm X H 51Cm	1
11	1428576	Adjustable Back Upholstery W 48Cm X H 51Cm	1
12	1428577	Adjustable Back Upholstery W 50,5Cm X H 51Cm	1
13	1428603	Zinc St 4,8-20F Fbx Screw	1
14	1428588	Adjustable Back Cover W 38Cm	1
15	1428589	Adjustable Back Cover W 40,5Cm	1
16	1428590	Adjustable Back Cover W 43Cm	1
17	1428591	Adjustable Back Cover W 45,5Cm	1
18	1428592	Adjustable Back Cover W 48Cm	1
19	1428593	Adjustable Back Cover W 50,5Cm	1



Pos.	Part number	Description	Qty
1	1440951	Passad 2 Comfort Backrest Cushion (Dartex) W 40,5Cm - Xxs	1
2	1429271	CUSHION, BACKREST "PASSAD2" 440X550, DARTEX GREY	1
3	1424647	CUSHION,PA2 470X550 BACKR.S.TR23	1
4	1424649	CUSHION,PA2 520X550 BACKR.M.TR23	1
5	1431516	Laguna Complet Backrest Cushion (Black Vinyl) W 40,5Cm	1
5	1420087	BACKR CUSH LAG 40 BLA VI	1
6	1431517	Laguna Complet Backrest Cushion (Black Vinyl) W 43Cm	1
7	1420089	BACKR CUSH LAG 46 BLA VI	1
9	1437532	Laguna Backrest Shell W 40,5Cm	1
10	1437534	Laguna Backrest Shell W 43Cm	1
11	1437536	Laguna Backrest Shell W 45,5Cm	1
12	1437538	Laguna Backrest Shell W 50,5Cm	1
13	1440943	LOCKING BUTTON M8	1
14	1431300-0001	Rh Backrest Trunk Support Plate < 01/2008	1
15	1431303-0001	Lh Backrest Trunk Support Plate < 01/2008	1
16	1428603	Zinc St 4,8-20F Fbx Screw	1
17	1444116	LOCKING BUTTON M8	1
18	1439937	CUSHION, BACKREST "LAGUNA" 340X550, DARTEX GREY	1
19	1427118	CUSHION, BACKREST "LAGUNA" 372X550, DARTEX GREY	1
20	1427119	CUSHION, BACKREST "LAGUNA" 402X550, DARTEX GREY	1
21	1427120	CUSHION, BACKREST "LAGUNA" 452X550, DARTEX GREY	1

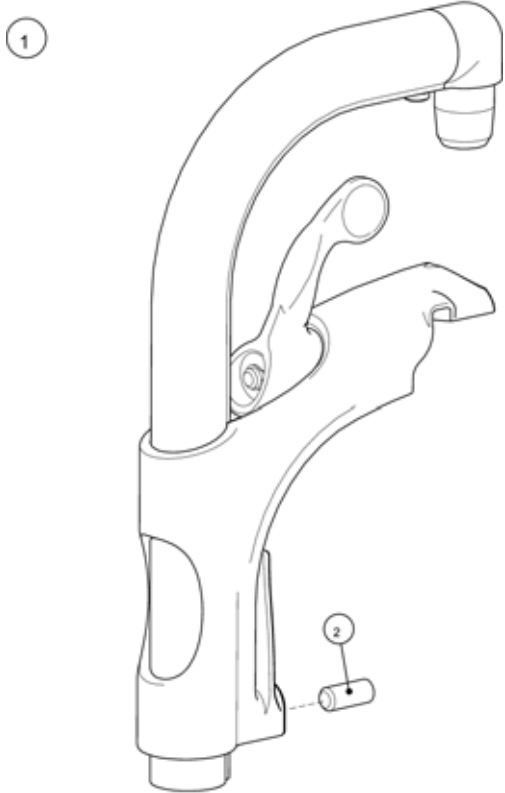
Hanger fixed 80°

Dark red	1
Sapphire blue	2
Anthracite black	3
Pearl grey	4
Purple	5



Pos.	Part number	Description	Qty
1	1428622-0607	Footrest Hanger 80° Dark Red	1
2	1428622-0608	Footrest Hanger 80° Sapphire Blue	1
3	1428622-0609	Footrest Hanger 80° Anthracite Black	1
4	1428622-0515	Footrest Hanger 80° Pearl Grey	1
5	1428622-0611	Footrest Hanger 80° Purple	1
6	1430426	Hanger Pivot Kit	1
7	1442708	Hanger Support Complete (Alu Pin)	1
8	1430427	Hanger Locked Part Kit	1
9	1424572	Stop Screw M10X12	1
10	1424571	SCREW (SPRINGSCREW)	1

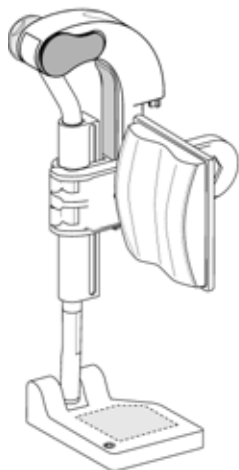
Legrest 90°, fixed



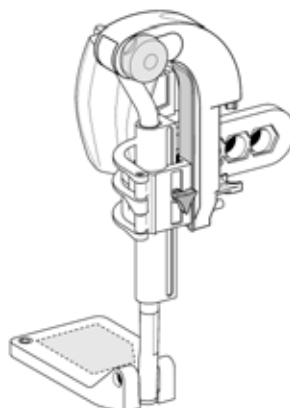
Pos.	Part number	Description	Qty
1	1493056-0509	HANGER FIXED 90	1
2	1424571	SCREW (SPRINGSCREW)	1

Assembly Legrest, Fixed Footrest

R	
38 cm	1
40,5 cm	1
43 cm	2
45,5 cm	3
48 cm	4
50,5 cm	4



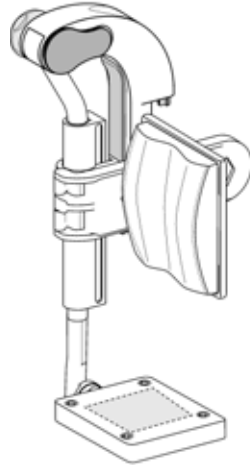
L	
38 cm	5
40,5 cm	5
43 cm	6
45,5 cm	7
48 cm	8
50,5 cm	8



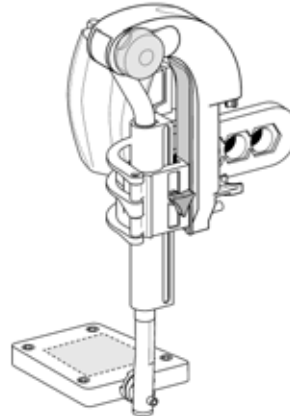
Pos.	Part number	Description	Qty
1	1432973	Rh Elevating Legrest + Fixed Footplate W 38/40,5Cm	1
2	1432975	Rh Elevating Legrest + Fixed Footplate W 43Cm	1
3	1432977	Rh Elevating Legrest + Fixed Footplate W 45,5Cm	1
4	1432979	Rh Elevating Legrest + Fixed Footplate W 48/50,5Cm	1
5	1432974	Lh Elevating Legrest + Fixed Footplate W 38/40,5Cm	1
6	1432976	Lh Elevating Legrest + Fixed Footplate W 43Cm	1
7	1432978	Lh Elevating Legrest + Fixed Footplate W 45,5Cm	1
8	1432980	Lh Elevating Legrest + Fixed Footplate W 48/50,5Cm	1

Assembly Legrest, Adjustable Footrest

R	
38 cm	1
40,5 cm	2
43 cm	3
45,5 cm	4
48 cm	5
50,5 cm	6

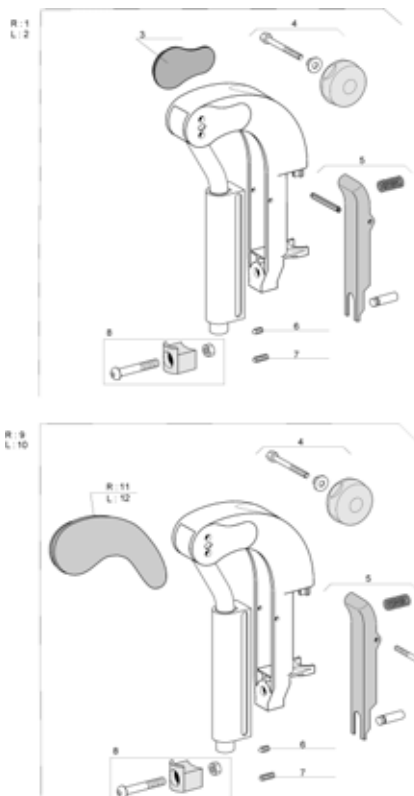


L	
38 cm	7
40,5 cm	8
43 cm	9
45,5 cm	10
48 cm	11
50,5 cm	12



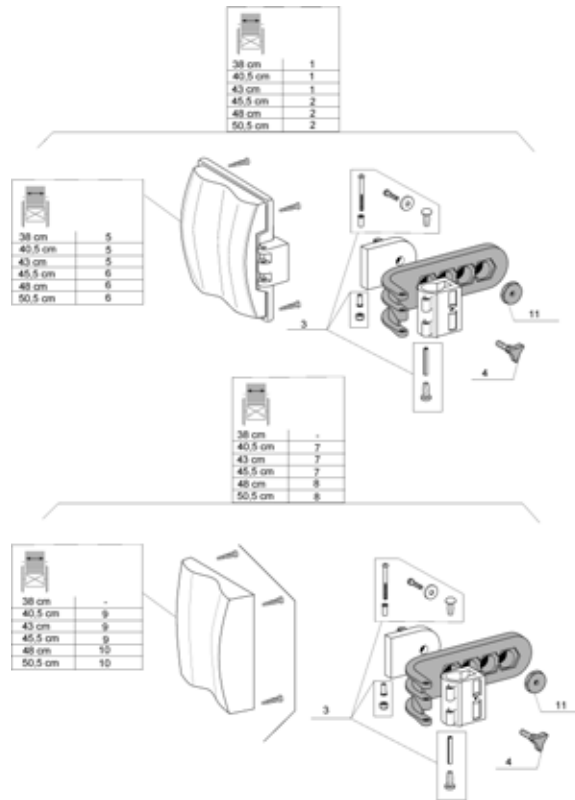
Pos.	Part number	Description	Qty
1	1432981	Rh Elevating Legrest + Adjustable Footplate W 38Cm	1
2	1432983	Rh Elevating Legrest + Adjustable Footplate W 40,5Cm	1
3	1432985	Rh Elevating Legrest + Adjustable Footplate W 43Cm	1
4	1432947	Rh Elevating Legrest + Adjustable Footplate W 45,5Cm	1
5	1432949	Rh Elevating Legrest + Adjustable Footplate W 48Cm	1
6	1432965	Rh Elevating Legrest + Adjustable Footplate W 50,5Cm	1
7	1432982	Lh Elevating Legrest + Adjustable Footplate W 38Cm	1
8	1432984	Lh Elevating Legrest + Adjustable Footplate W 40,5Cm	1
9	1432986	Lh Elevating Legrest + Adjustable Footplate W 43Cm	1
10	1432948	Lh Elevating Legrest + Adjustable Footplate W 45,5Cm	1
11	1432964	Lh Elevating Legrest + Adjustable Footplate W 48Cm	1
12	1432971	Lh Elevating Legrest + Adjustable Footplate W 50,5Cm	1

Adjustable Legrest



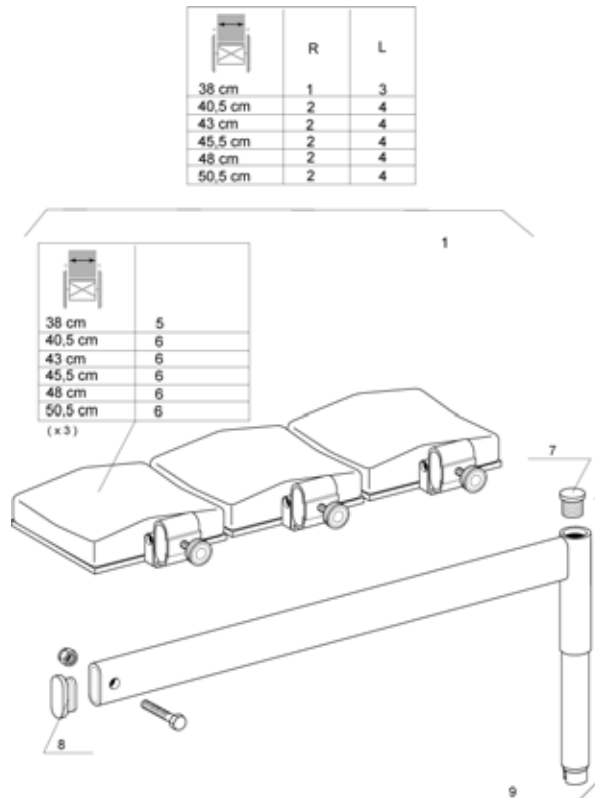
Pos.	Part number	Description	Qty
1	1428370	RH Elevating Legrest Hanger Including Handwheel And Knee Protector	1
2	1428371	LH Elevating Legrest Hanger Including Handwheel And Knee Protector	1
3	1428336	KNEE PAD	1
4	1430428	Complete Knob Kit	1
5	1430429	Legrest Trigger Kit	1
6	1424572	Stop Screw M10X12	1
7	1424571	SCREW (SPRINGSCREW)	1
8	1430427	Hanger Locked Part Kit	1
9	1445809-0509	HANGER ALU2003 AA RIGHT CPL WITH KNEEPAD TR26	1
10	1445810-0509	HANGER ALU2003 AA LEFT CPL WITH KNEEPAD TR26	1
11	1445808	Rh Knee Protection Dartex + Screws	1
12	1445807	Lh Knee Protection Dartex + Screws	1

Calf Pad

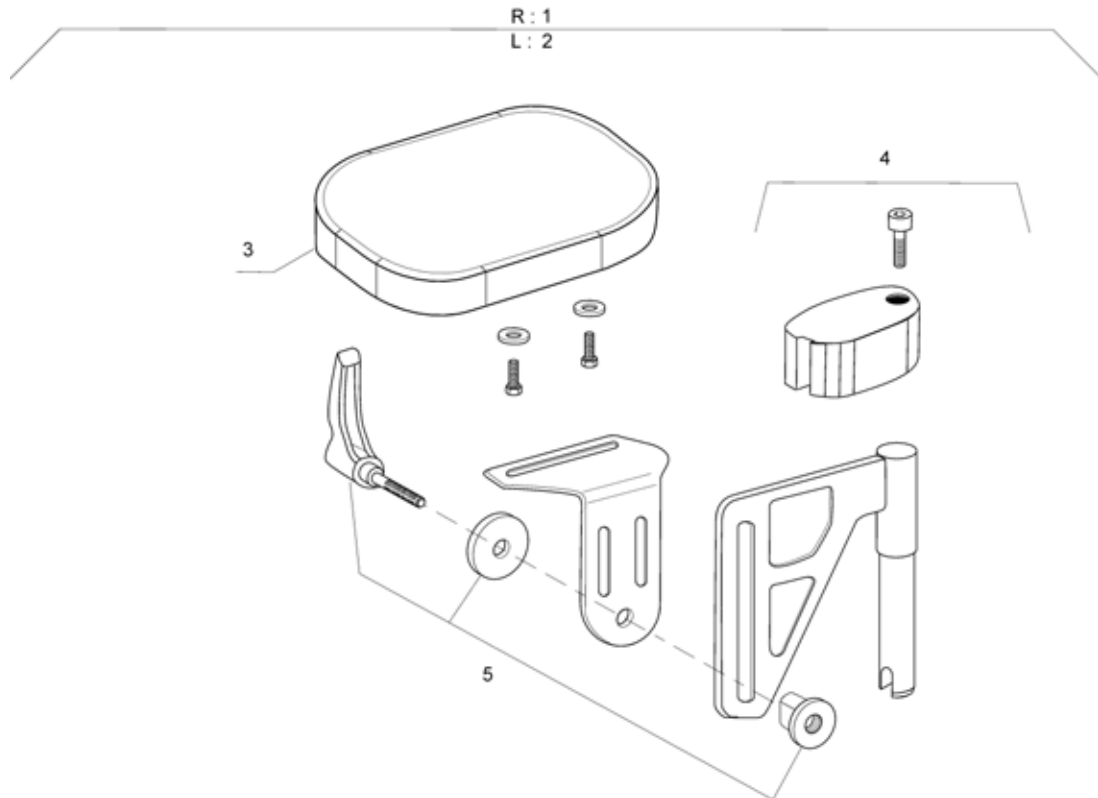


Pos.	Part number	Description	Qty
1	1450932	Padded Calf Pad W 38/40,5/43Cm	1
2	1450933	Padded Calf Pad W 45,5/48/50,5Cm	1
3	1430432	Calf Pad Screws Kit	1
4	1440943	LOCKING BUTTON M8	1
4	1429215	HANDWHEEL M8	1
5	1430430	Nylon Calf Pad W 38-43Cm+ Fixation	1
6	1430431	Nylon Calf Pad W 45,5-50,5Cm+ Fixation	1
7	1450934	Dartex Calf Pad W 39Cm-CI / W 40,5/43 /45,5 Cm-A3-A4	1
8	1450935	Dartex Calf Pad W 44Cm-CI / W 48/50,5Cm-A3-A4	1
9	1442645	Dartex Calf Pad W 39 Cm-CI / W 40,5/43/45,5 Cm-A3/A4 + Fixation	1
10	1442646	Dartex Calf Pad W 44 Cm-CI / W 48/50Cm-A3/A4 + Fixation	1
11	1440132	Calf Pad Fixation	1

Plaster Legrest Complete

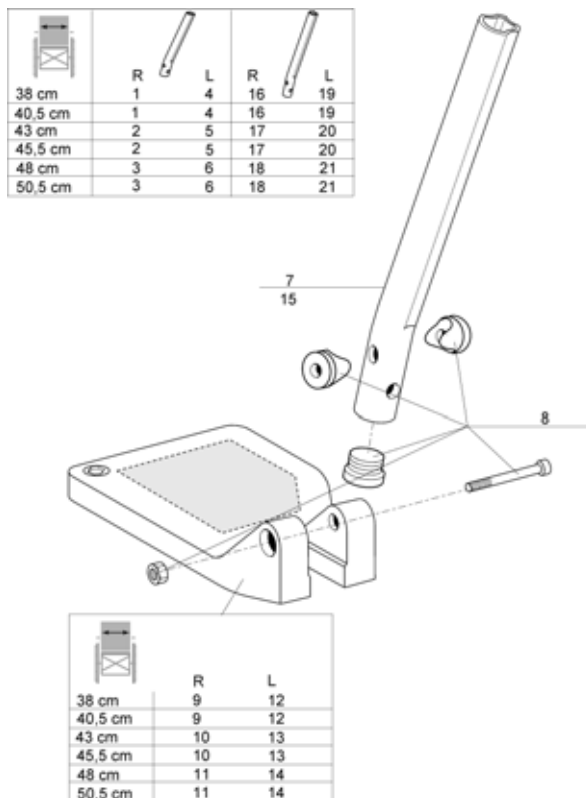


Pos.	Part number	Description	Qty
1	1432612	Rh Plaster Legrest Complete W 38Cm	1
2	1432613	Rh Plaster Legrest Complete W 40,5 To 50,5Cm	1
3	1443244	Lh Plaster Legrest Complete W 38Cm	1
4	1443245	Lh Plaster Legrest Complete W 40,5 To 50,5Cm	1
5	1403981	Complete Legrest cushion width 38 cm	1
6	1403982	Complete legrest cushion width 41 cm	1
7	0021-20003	Black 18 x 1.5 mm cylindrical cap	1
8	5716498	Plastic cap 13 x 36 x 1.5	1
9	1432614	Plaster Legrest Support Assy	1



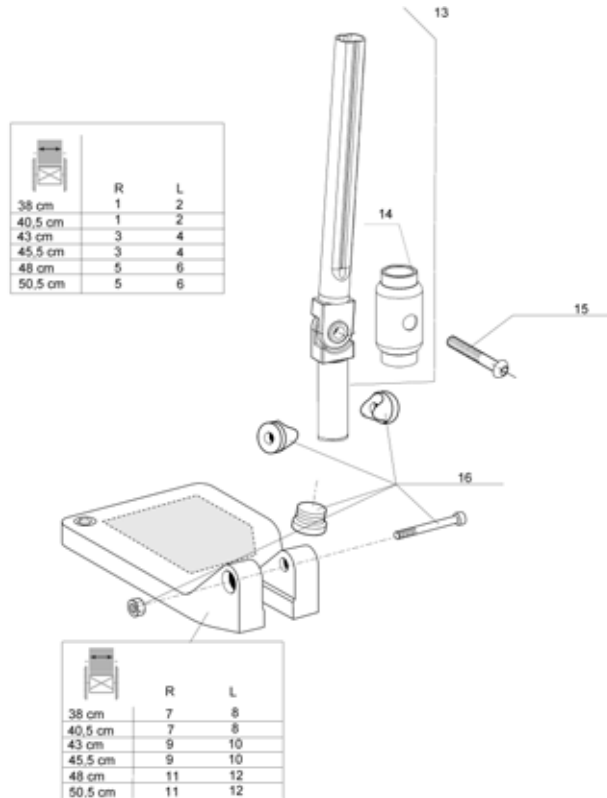
Pos.	Part number	Description	Qty
1	1442990	LEGREST, AMPUTEE, RH	1
2	1442991	LEGREST, AMPUTEE, LH	1
3	5221090-TR03	Amputee Legrest Cushion	1
4	1446556	Amputee Legrest Stop + Fixation	1
5	1446557	Amputee Legrest Slide Fixation Kit	1

Footrest



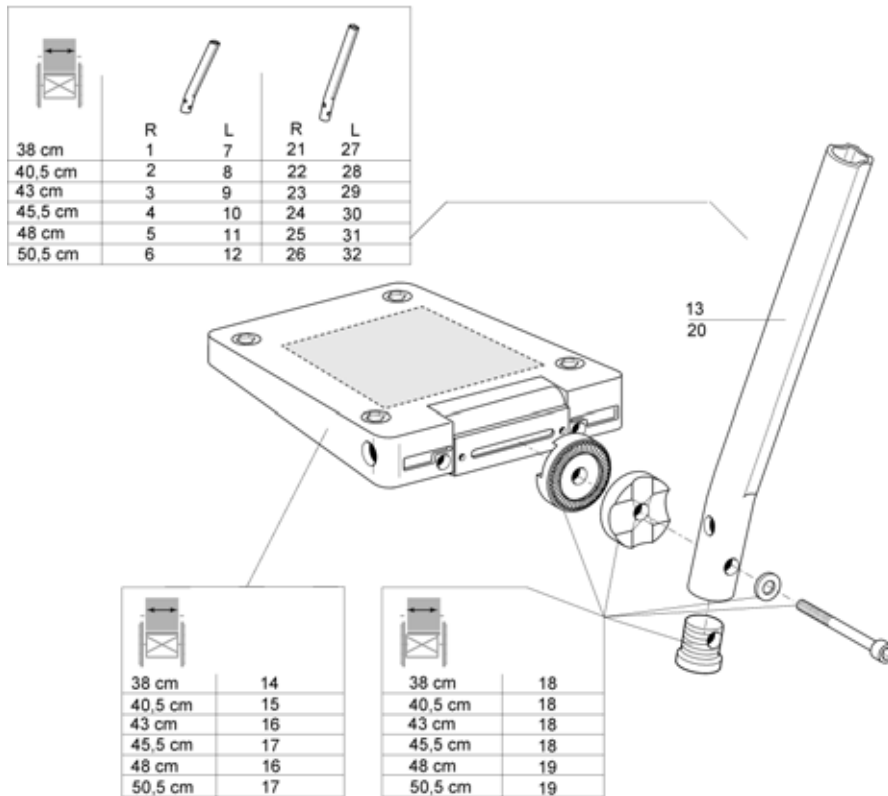
Pos.	Part number	Description	Qty
1	1428645	RH Standard Footrest W 38cm/40,5cm - Short Lower Tube	1
2	1428646	RH Standard Footrest W 43cm/45,5cm - Short Lower Tube	1
3	1428647	RH Standard Footrest W 48cm/50,5cm - Short Lower Tube	1
4	1428648	LH Standard Footrest W 38cm/40,5cm - Short Lower Tube	1
5	1428649	LH Standard Footrest W 43cm/45,5cm - Short Lower Tube	1
6	1428650	LH Standard Footrest W 48cm/50,5cm - Short Lower Tube	1
7	1434561-0010	Short Lower Footrest Tube	1
8	1430433	SCREW KIT, FOOTREST FIXED	1
9	1428341	FOOTPLATE 19, RIGHT	1
10	1424575	FOOTPLATE 21, RIGHT	1
11	1428347	FOOTPLATE 24, RIGHT	1
12	1428340	FOOTPLATE 19, LEFT	1
13	1424574	FOOTPLATE 21, LEFT	1
14	1428346	FOOTPLATE 24, LEFT	1
15	1434563-0010	Long Lower Footrest Tube	1
16	1440804	Rh Standard Footrest W 38Cm/40,5Cm - Long Lower Tube	1
17	1440805	Rh Standard Footrest W 43Cm/45,5Cm - Long Lower Tube	1
18	1440806	Rh Standard Footrest W 48Cm/50,5Cm - Long Lower Tube	1
19	1440807	Lh Standard Footrest W 38Cm/40,5Cm - Long Lower Tube	1
20	1440808	Lh Standard Footrest W 43Cm/45,5Cm - Long Lower Tube	1
21	1440809	Lh Standard Footrest W 48Cm/50,5Cm - Long Lower Tube	1

Footrest Angle Adjustable




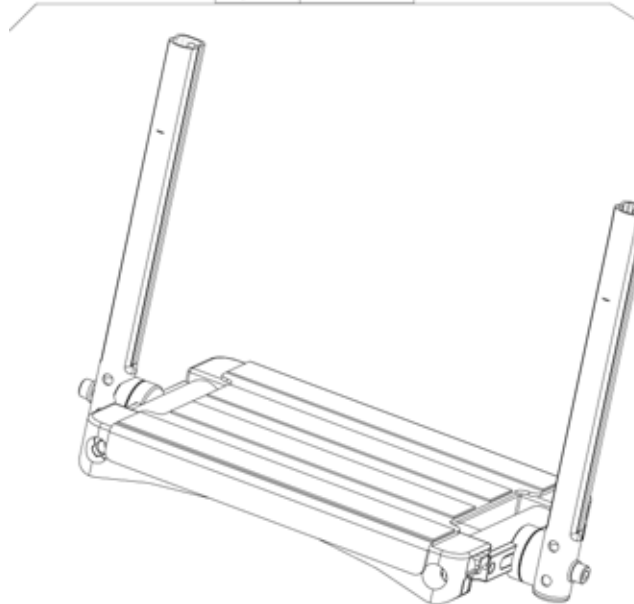
Pos.	Part number	Description	Qty
1	1488959	Rh Adjustable Footrest W 38Cm/40,5Cm - Short Tube	1
2	1488960	Lh Adjustable Footrest W 38Cm/40,5Cm - Short Tube	1
3	1485222	Rh Adjustable Footrest W 39Cm-CI / 43-45,5Cm A3/A4	1
4	1485223	Lh Adjustable Footrest W 39Cm-CI / 43-45,5Cm A3/A4	1
5	1485224	Rh Adjustable Footrest W 44Cm-CI / 48-50,5Cm A3/A4	1
6	1485225	Lh Adjustable Footrest W 44Cm-CI / 48-50,5Cm A3/A4	1
7	1428341	FOOTPLATE 19, RIGHT	1
8	1428340	FOOTPLATE 19, LEFT	1
9	1424575	FOOTPLATE 21, RIGHT	1
10	1424574	FOOTPLATE 21, LEFT	1
11	1428347	FOOTPLATE 24, RIGHT	1
12	1428346	FOOTPLATE 24, LEFT	1
13	1485167	FOOTREST TUBE AA, SHORT	1
14	1485944	Adjustable Footrest Sleeve	1
15	0029-40046	Screw CBHC M8X20	1
16	1430433	SCREW KIT, FOOTREST FIXED	1

Footrest Angle & Depth Adjustable



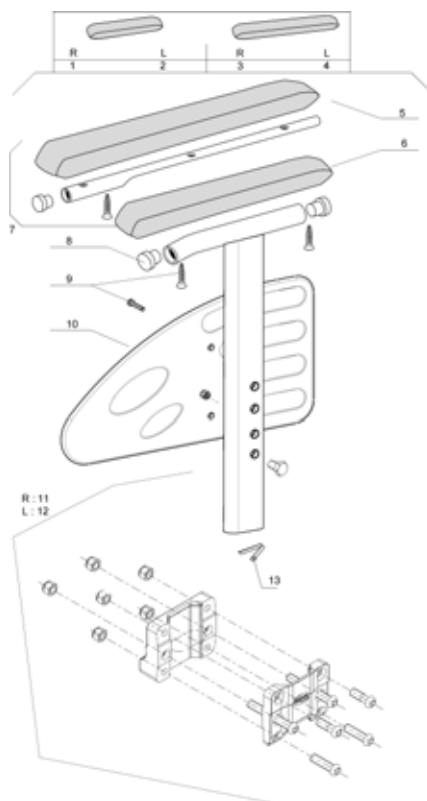
Pos.	Part number	Description	Qty
1	1428651	Rh Adjustable Footrest W 38Cm - Short Lower Tube	1
2	1428652	Rh Adjustable Footrest W 39 Cm-CI /40,5 Cm-A3-A4 - Short Lower Tube	1
3	1428653	Rh Adjustable Footrest W 43Cm - Short Lower Tube	1
4	1428654	Rh Adjustable Footrest W 44 Cm-CI /45,5 Cm-A3-A4 - Short Lower Tube	1
5	1428655	Rh Adjustable Footrest W 48Cm - Short Lower Tube	1
6	1428656	Rh Adjustable Footrest W 49 Cm-CI /50,5 Cm-A3-A4 - Short Lower Tube	1
7	1428657	Lh Adjustable Footrest W 38Cm - Short Lower Tube	1
8	1428658	Lh Adjustable Footrest W 39 Cm-CI /40,5 Cm-A3-A4 - Short Lower Tube	1
9	1428659	Lh Adjustable Footrest W 43Cm - Short Lower Tube	1
10	1428660	Lh Adjustable Footrest W 44 Cm-CI /45,5 Cm-A3-A4 - Short Lower Tube	1
11	1428661	Lh Adjustable Footrest W 48Cm - Short Lower Tube	1
12	1428662	Lh Adjustable Footrest W 49 Cm-CI /50,5 Cm-A3-A4 - Short Lower Tube	1
13	1434561-0010	Short Lower Footrest Tube	1
14	5106374	FOOTPLATE 14 AA, CPL.	1
15	5106375	FOOTPLATE 16 AA, CPL.	1
16	5106594	FOOTPLATE 17 AA, CPL.	1
17	5106376	FOOTPLATE 18 AA, CPL.	1
18	1430839	SCREW KIT, FOOTREST AA	1
19	1430840	SCREW KIT, FOOTREST AA EXT	1
20	1434563-0010	Long Lower Footrest Tube	1
21	1440810	Rh Adjustable Footrest W 38Cm - Long Lower Tube	1
22	1440811	Rh Adjustable Footrest W 40,5Cm - Long Lower Tube	1
23	1440812	Rh Adjustable Footrest W 43Cm - Long Lower Tube	1
24	1440813	Rh Adjustable Footrest W 45,5Cm - Long Lower Tube	1
25	1440814	Rh Adjustable Footrest W 48Cm - Long Lower Tube	1
26	1440815	Rh Adjustable Footrest W 50,5Cm - Long Lower Tube	1
27	1440816	Lh Adjustable Footrest W 38Cm - Long Lower Tube	1
28	1440817	Lh Adjustable Footrest W 40,5Cm - Long Lower Tube	1
29	1440818	Lh Adjustable Footrest W 43Cm - Long Lower Tube	1
30	1440819	Lh Adjustable Footrest W 45,5Cm - Long Lower Tube	1
31	1440820	Lh Adjustable Footrest W 48Cm - Long Lower Tube	1
32	1440821	Lh Adjustable Footrest W 50,5Cm - Long Lower Tube	1

	
38 cm	1
40,5 cm	2
43 cm	3
45,5 cm	4
48 cm	5
50,5 cm	6



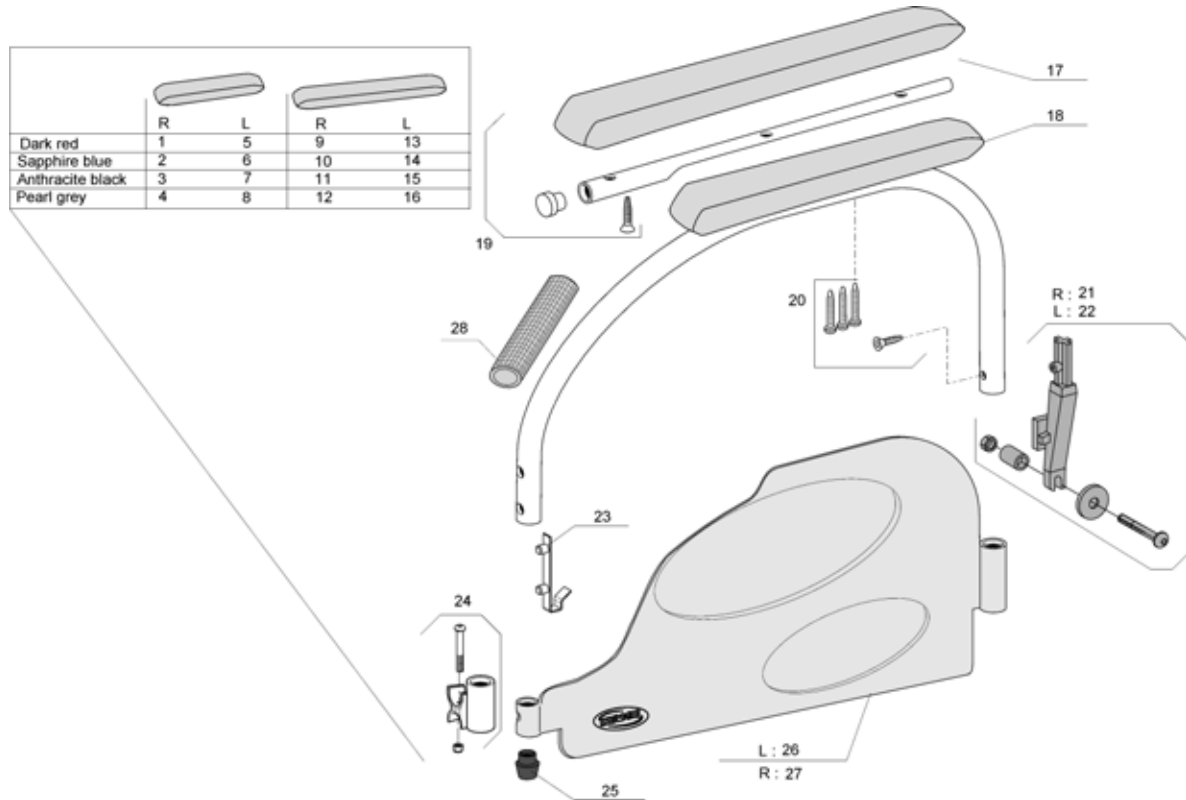
Pos.	Part number	Description	Qty
1	1496945	FOOTREST OP, 38, CPL DEPTH AND A/A,SHORT, 80	1
2	1496946	FOOTREST OP, 40.5, CPL DEPTH AND A/A,SHORT, 80	1
3	1496947	FOOTREST OP, 43, CPL DEPTH AND A/A,SHORT, 80	1
4	1496948	FOOTREST OP, 45.5, CPL DEPTH AND A/A,SHORT, 80	1
5	1496949	FOOTREST OP, 48, CPL DEPTH AND A/A,SHORT, 80	1
6	1496953	FOOTREST OP, 50.5, CPL DEPTH AND A/A,SHORT, 80	1

Height Adjustable Armrest 1



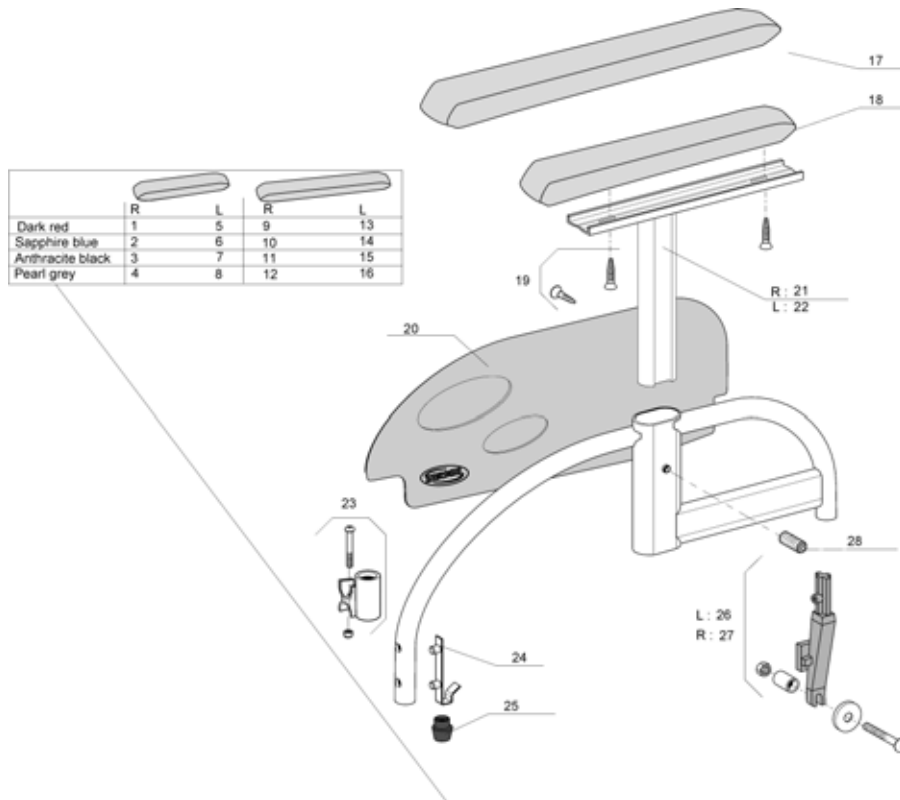
Pos.	Part number	Description	Qty
1	1428596-0601	Rh Desk Armrest 1; Removable And Height Adj; Black	1
2	1428597-0601	Lh Desk Armrest 1; Removable And Height Adj; Black	1
3	1428598-0601	Rh Long Armrest 1; Removable And Height Adj; Black	1
4	1428599-0601	Lh Long Armrest 1; Removable And Height Adj; Black	1
5	1426723	Long Armpad (35 Cm)	1
6	1426721	Short Armpad (25 Cm)	1
7	1432595	Long Armpad Fixation Kit	1
8	0021-20028	Black 19 x 1.5 mm Cylindrical Cap	1
9	1430422	Armrest 1 Screws Kit	1
10	1425601	Armrest Skirtguard 1	1
11	1430421	Central Support + Rh Tube Armrest 1	1
12	1434589	Central Support + Lh Tube Armrest 1	1
13	0027-10003	6 mm stud spring	1

Swing Away & Detachable Armrest 2



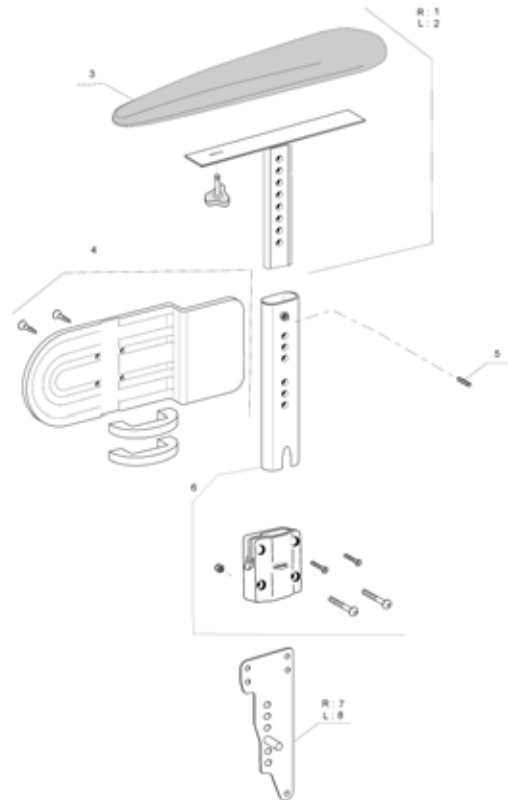
Pos.	Part number	Description	Qty
1	1428604-0607	Rh Desk Armrest 2; Dark Red	1
2	1428604-0608	Rh Desk Armrest 2; Sapphire Blue	1
3	1428604-0609	Rh Desk Armrest 2; Anthracite Black	1
4	1428604-0515	Rh Desk Armrest 2; Pearl Grey	1
5	1428605-0607	Lh Desk Armrest 2; Dark Red	1
6	1428605-0608	Lh Desk Armrest 2; Sapphire Blue	1
7	1428605-0609	Lh Desk Armrest 2; Anthracite Black	1
8	1428605-0515	Lh Desk Armrest 2; Pearl Grey	1
9	1428606-0607	Rh Long Armrest 2; Dark Red	1
10	1428606-0608	Rh Long Armrest 2; Sapphire Blue	1
11	1428606-0609	Rh Long Armrest 2; Anthracite Black	1
12	1428606-0515	Rh Long Armrest 2; Pearl Grey	1
13	1428607-0607	Lh Long Armrest 2; Dark Red	1
14	1428607-0608	Lh Long Armrest 2; Sapphire Blue	1
15	1428607-0609	Lh Long Armrest 2; Anthracite Black	1
16	1428607-0515	Lh Long Armrest 2; Pearl Grey	1
17	1426723	Long Armpad (35 Cm)	1
18	1426721	Short Armpad (25 Cm)	1
19	1432595	Long Armpad Fixation Kit	1
20	1430424	Armrest 2 Screws Kit	1
21	1430423	Rh Armrest Rear Support Kit	1
22	1431284	Lh Armrest Rear Support Kit	1
23	1018225	Double stud spring	1
24	0572-05368	Front armrest mounting kit	1
25	0572-03405	Short conical cap	1
26	1491220	Lh Armrest Skirtguard 2	1
27	1491219	Rh Armrest Skirtguard 2	1
28	0572-02851	Armrest Handle Cover	1

Height Adjustable Armrest 3



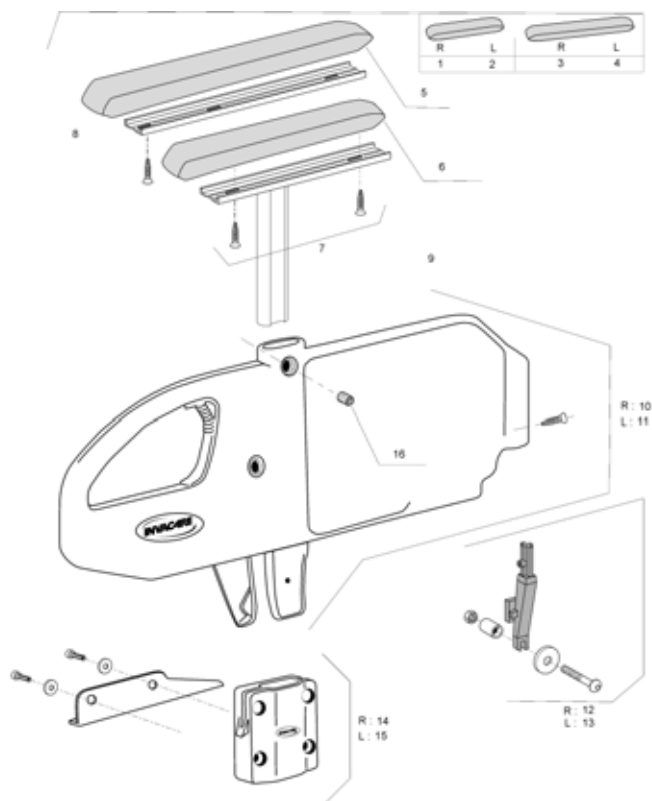
Pos.	Part number	Description	Qty
1	1428612-0607	Rh Desk Armrest 3; H & D Adjustable; Dark Red	1
2	1428612-0608	Rh Desk Armrest 3; H & D Adjustable; Sapphire Blue	1
3	1428612-0609	Rh Desk Armrest 3; H & D Adjustable; Anthracite Black	1
4	1428612-0515	Rh Desk Armrest 3; H & D Adjustable; Pearl Grey	1
5	1428613-0607	Lh Desk Armrest 3; H & D Adjustable; Dark Red	1
6	1428613-0608	Lh Desk Armrest 3; H & D Adjustable; Sapphire Blue	1
7	1428613-0609	Lh Desk Armrest 3; H & D Adjustable; Anthracite Black	1
8	1428613-0515	Lh Desk Armrest 3; H & D Adjustable; Pearl Grey	1
9	1428614-0607	Rh Long Armrest 3; H & D Adjustable; Dark Red	1
10	1428614-0608	Rh Long Armrest 3; H & D Adjustable; Sapphire Blue	1
11	1428614-0609	Rh Long Armrest 3; H & D Adjustable; Anthracite Black	1
12	1428614-0515	Rh Long Armrest 3; H & D Adjustable; Pearl Grey	1
13	1428615-0607	Lh Long Armrest 3; H & D Adjustable; Dark Red	1
14	1428615-0608	Lh Long Armrest 3; H & D Adjustable; Sapphire Blue	1
15	1428615-0609	Lh Long Armrest 3; H & D Adjustable; Anthracite Black	1
16	1428615-0515	Lh Long Armrest 3; H & D Adjustable; Pearl Grey	1
17	1434677	Long Armpad Flat Support	1
18	1434676	ARMPAD, SHORT	1
19	0029-40532	Fbz Screw D 4,8X19	1
20	1426725	Armrest Skirtguard 3	1
21	1449638-0010	Part not for sale	1
22	1449637-0010	ARMREST POLE RI CLEMATIS	1
23	0572-05368	Front armrest mounting kit	1
24	1018225	Double stud spring	1
25	0572-03405	Short conical cap	1
26	1430423	Rh Armrest Rear Support Kit	1
27	1431284	Lh Armrest Rear Support Kit	1
28	5106533	LOCKING SCREW M12X10	1

Height Adjustable Comfort Armrest



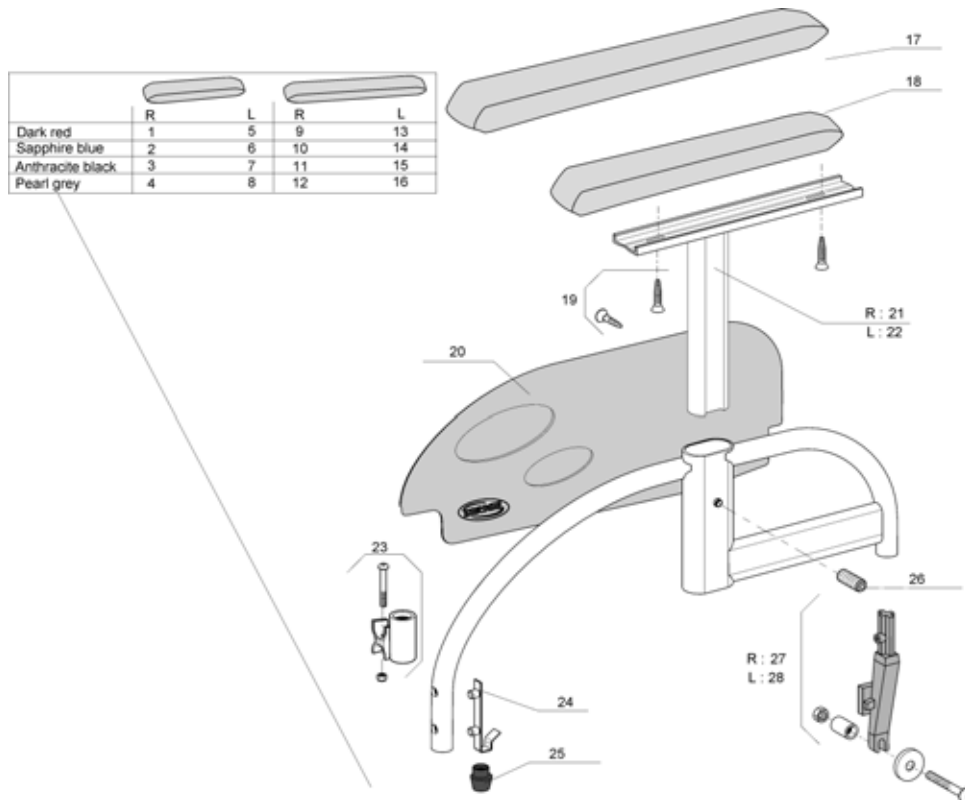
Pos.	Part number	Description	Qty
1	1435832	Armrest Pad Dartex With Pole Rh	1
2	1435833	Armrest Pad Dartex With Pole Lh	1
3	1435723	ARMPAD, WIDE, COMFORT ARMREST	1
4	1430425	Skirtguard Armrest 4 Fixation Kit	1
5	5106533	LOCKING SCREW M12X10	1
6	1440952	Central Support Armrest Kit Comfort	1
7	1440953	Rh Armrest Support Plate	1
8	1442896	Lh Armrest Support Plate	1

Height Adjustable Monobloc Armrest



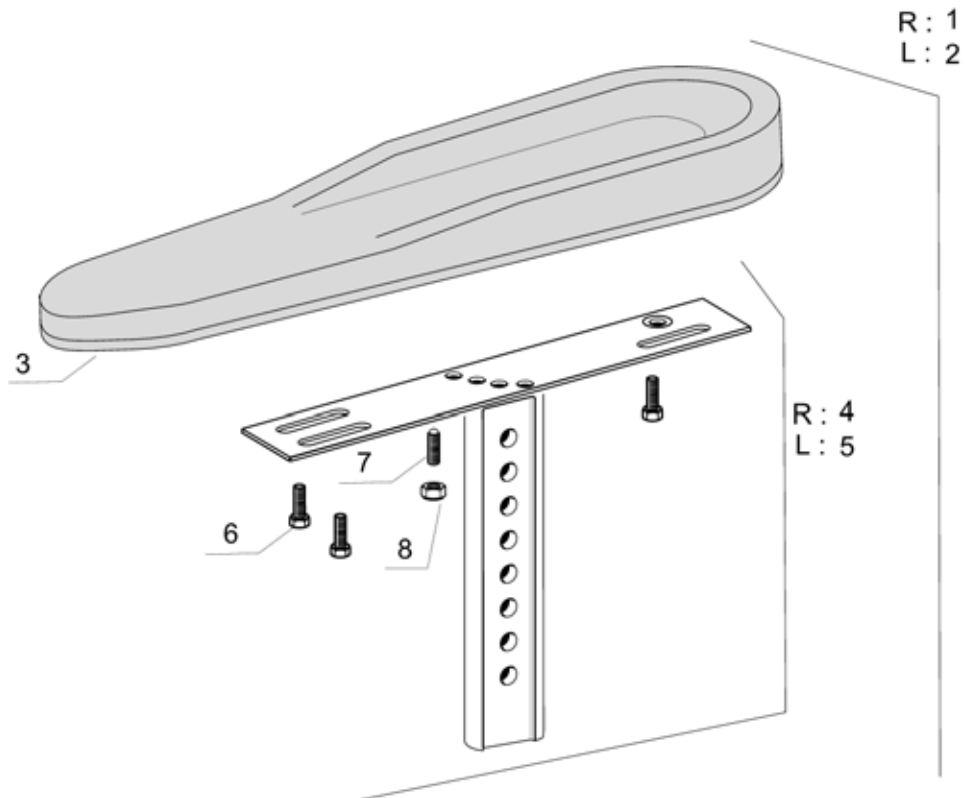
Pos.	Part number	Description	Qty
1	1450202	Monobloc Armrest Flip Up Short Pad Rh	1
2	1450203	Monobloc Armrest Flip Up Short Pad Lh	1
3	1450204	Monobloc Armrest Flip Up Long Pad Rh	1
4	1450205	Monobloc Armrest Flip Up Long Pad Lh	1
5	1434677	Long Armpad Flat Support	1
6	1434676	ARMPAD, SHORT	1
7	0029-40532	Fbz Screw D 4,8X19	1
8	1439876	Long Armpad Reinforced Plate	1
9	1435382-0008	Monobloc Armpad Support	1
10	1450623	Monobloc Support Base Rh	1
11	1497342	Monobloc Support Base Lh	1
12	1430423	Rh Armrest Rear Support Kit	1
13	1431284	Lh Armrest Rear Support Kit	1
14	1444808	Rh Monobloc Central Support	1
15	1444809	Lh Monobloc Central Support	1
16	5106533	LOCKING SCREW M12X10	1

Height Adjustable Armrest 3, Germany <12/2004



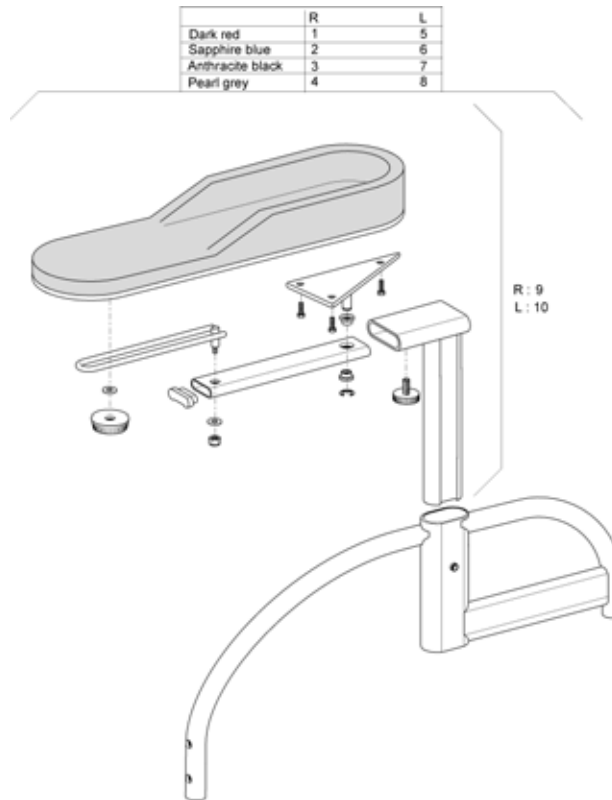
Pos.	Part number	Description	Qty
1	1433019-0607	Rh Desk Armrest 3; H & D Adjustable; Dark Red	1
2	1433019-0608	Rh Desk Armrest 3; H & D Adjustable; Sapphire Blue	1
3	1433019-0609	Rh Desk Armrest 3; H & D Adjustable; Anthracite Black	1
4	1433019-0515	Rh Desk Armrest 3; H & D Adjustable; Pearl Grey	1
5	1433020-0607	Lh Desk Armrest 3; H & D Adjustable; Dark Red	1
6	1433020-0608	Lh Desk Armrest 3; H & D Adjustable; Sapphire Blue	1
7	1433020-0609	Lh Desk Armrest 3; H & D Adjustable; Anthracite Black	1
8	1433020-0515	Lh Desk Armrest 3; H & D Adjustable; Pearl Grey	1
9	1430854-0607	Rh Long Armrest 3; H & D Adjustable; Dark Red	1
10	1430854-0608	Rh Long Armrest 3; H & D Adjustable; Sapphire Blue	1
11	1430854-0609	Rh Long Armrest 3; H & D Adjustable; Anthracite Black	1
12	1430854-0515	Rh Long Armrest 3; H & D Adjustable; Pearl Grey	1
13	1430857-0607	Lh Long Armrest 3; H & D Adjustable; Dark Red	1
14	1430857-0608	Lh Long Armrest 3; H & D Adjustable; Sapphire Blue	1
15	1430857-0609	Lh Long Armrest 3; H & D Adjustable; Anthracite Black	1
16	1430857-0515	Lh Long Armrest 3; H & D Adjustable; Pearl Grey	1
17	1434677	Long Armpad Flat Support	1
18	1434676	ARMPAD, SHORT	1
19	0029-40532	Fbz Screw D 4,8X19	1
20	1426725	Armrest Skirtguard 3	1
21	1449638-0010	Part not for sale	1
22	1449637-0010	ARMREST POLE RI CLEMATIS	1
23	0572-05368	Front armrest mounting kit	1
24	1018225	Double stud spring	1
25	0572-03405	Short conical cap	1
26	5106533	LOCKING SCREW M12X10	1
27	1430423	Rh Armrest Rear Support Kit	1
28	1431284	Lh Armrest Rear Support Kit	1

Hemi Dartex Armpad Multiposition



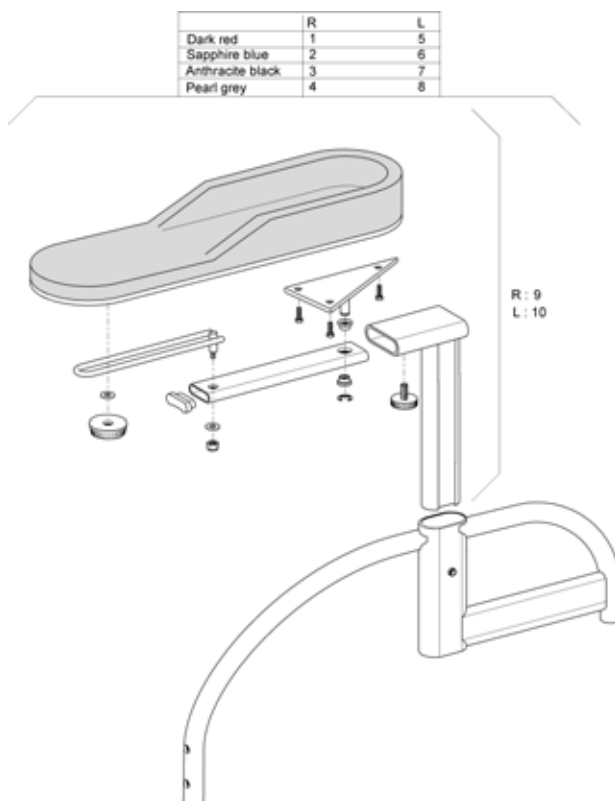
Pos.	Part number	Description	Qty
1	1493219	ARMREST HEMI RI, AZALEA	1
2	1493220	ARMREST HEMI LE, AZALEA	1
3	1493251	ARMPAD, HEMI ARMREST, AZALEA	1
4	1494005	Rh Hemi Dartex Multi Position Support	1
5	1494006	Lh Hemi Dartex Multi Position Support	1
6	0029-40212	M6X16 Cbhc Screw	1
7	1424571	SCREW (SPRINGSCREW)	1
8	1493218	M10 Lower Nut	1

Hemiplegic Armrest Support



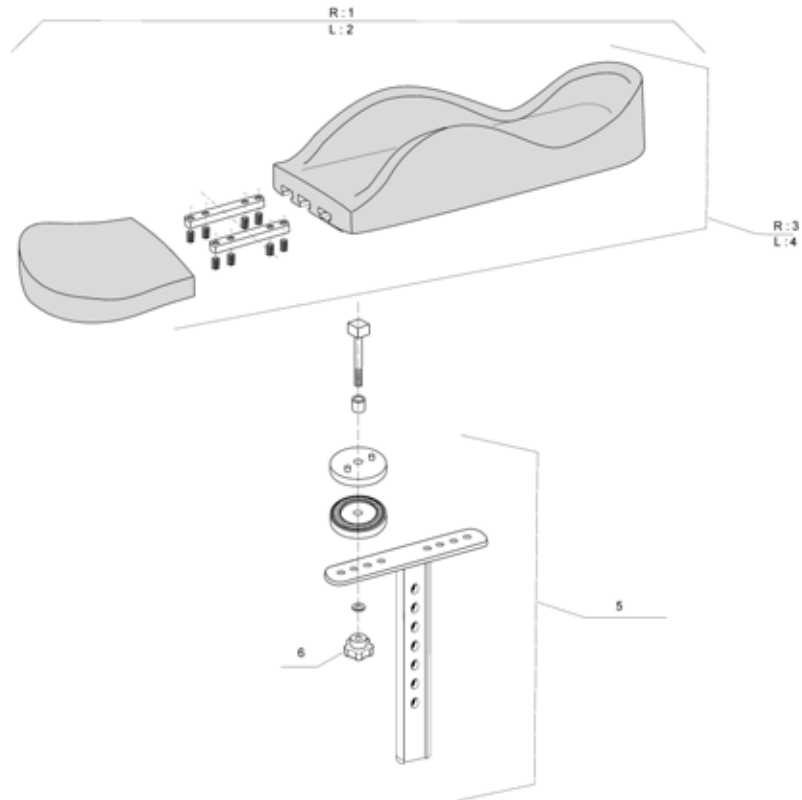
Pos.	Part number	Description	Qty
1	1434557-0607	Rh Hemi Armpad Action3 Dark Red	1
2	1434557-0608	Rh Hemi Armpad Action3 Sapphire Blue	1
3	1434557-0609	Rh Hemi Armpad Action3 Anthracite Black	1
4	1434557-0515	Rh Hemi Armpad Action3 Pearl Grey	1
5	1434558-0607	Lh Hemi Armpad Action3 Dark Red	1
6	1434558-0608	Lh Hemi Armpad Action3 Sapphire Blue	1
7	1434558-0609	Lh Hemi Armpad Action3 Anthracite Black	1
8	1434558-0515	Lh Hemi Armpad Action3 Pearl Grey	1
9	1493219	ARMREST HEMI RI, AZALEA	1
10	1493220	ARMREST HEMI LE, AZALEA	1

Hemiplegic Armrest Support, Germany



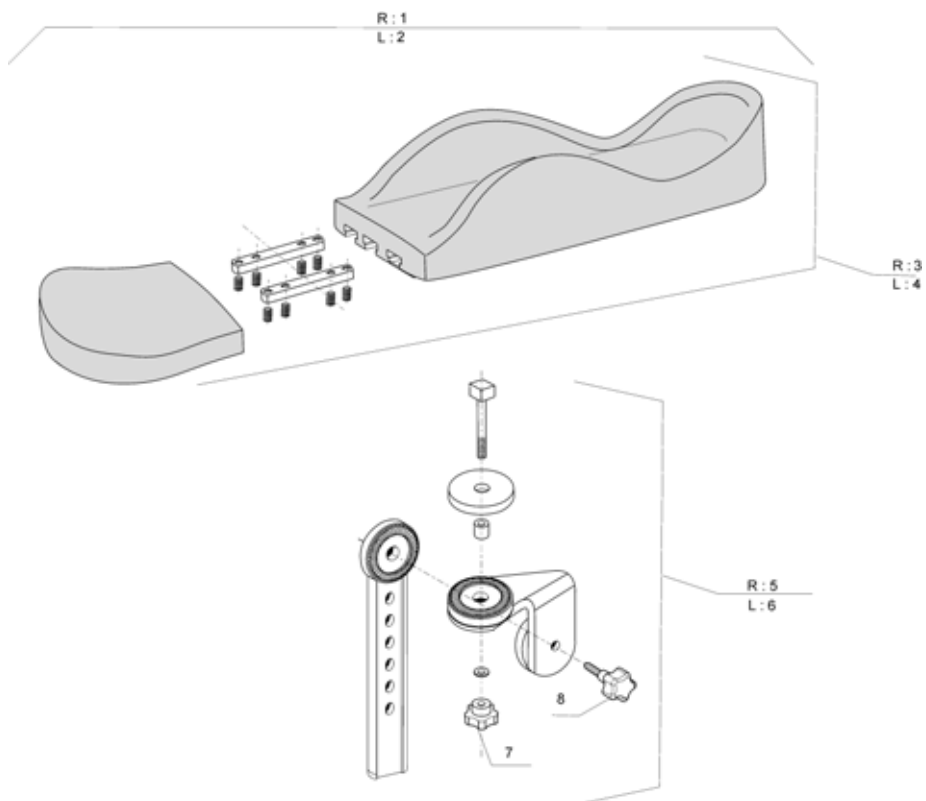
Pos.	Part number	Description	Qty
1	1434586-0607	Rh Hemi Armpad Action3 Dark Red	1
2	1434586-0608	Rh Hemi Armpad Action3 Sapphire Blue	1
3	1434586-0609	Rh Hemi Armpad Action3 Anthracite Black	1
4	1434586-0515	Rh Hemi Armpad Action3 Pearl Grey	1
5	1434587-0607	Lh Hemi Armpad Action3 Dark Red	1
6	1434587-0608	Lh Hemi Armpad Action3 Sapphire Blue	1
7	1434587-0609	Lh Hemi Armpad Action3 Anthracite Black	1
8	1434587-0515	Lh Hemi Armpad Action3 Pearl Grey	1
9	1493219	ARMREST HEMI RI, AZALEA	1
10	1493220	ARMREST HEMI LE, AZALEA	1

Armpad Hemi Motion Simple Adjustable



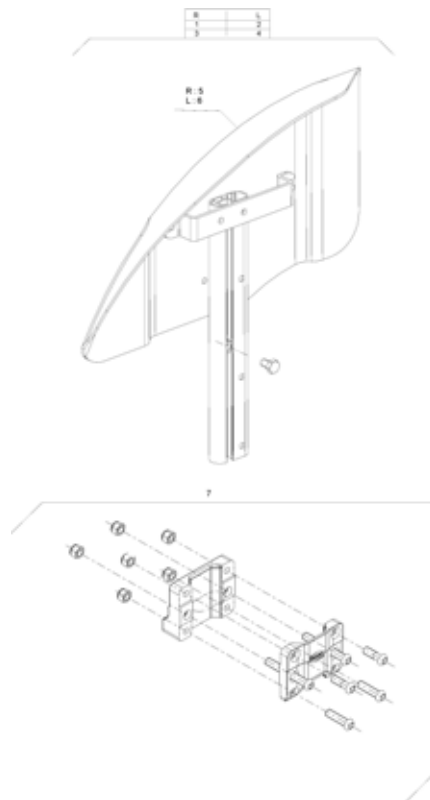
Pos.	Part number	Description	Qty
1	1443024	Rh Hemi Motion Armpad Simple Adjustable	1
2	1443025	Lh Hemi Motion Armpad Simple Adjustable	1
3	1444965	Rh Motion Armpad	1
4	1442973	Lh Motion Armpad	1
5	1443028	Mounting Kit Motion Armpad Simple Adjustable	1
6	0021-60032	Button M6-25	1

Armpad Hemi Motion Multi Adjustable



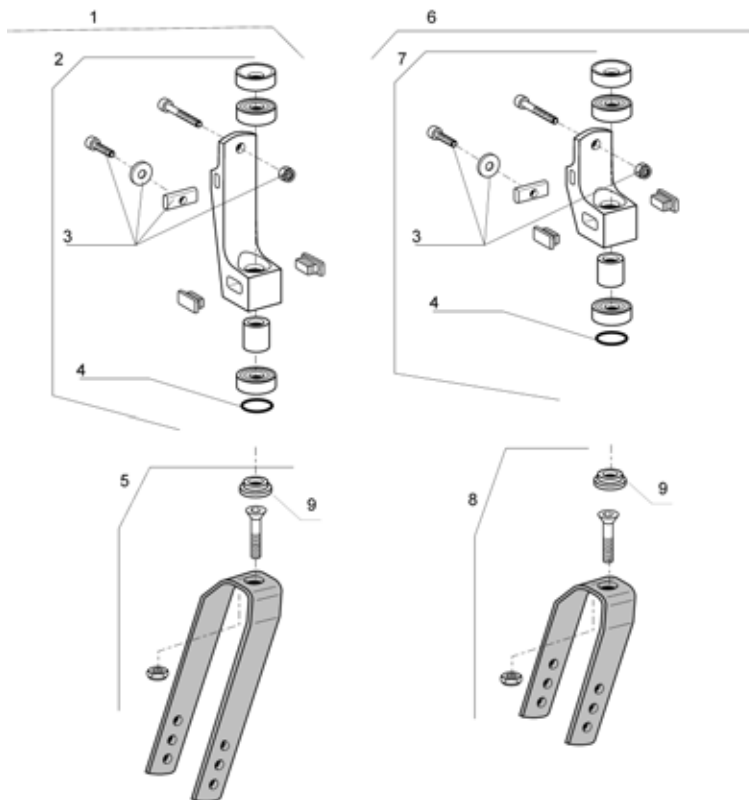
Pos.	Part number	Description	Qty
1	1443029	Rh Hemi Motion Armpad Multi Adjustable	1
2	1443030	Lh Hemi Motion Armpad Multi Adjustable	1
3	1444965	Rh Motion Armpad	1
4	1442973	Lh Motion Armpad	1
5	1443031	Rh Mounting Kit Motion Armpad Multi Adjustable	1
6	1443032	Lh Mounting Kit Motion Armpad Multi Adjustable	1
7	0021-60032	Button M6-25	1
8	0021-60029	32 mm M6 x 16 Button	1

Mudguard Xtra



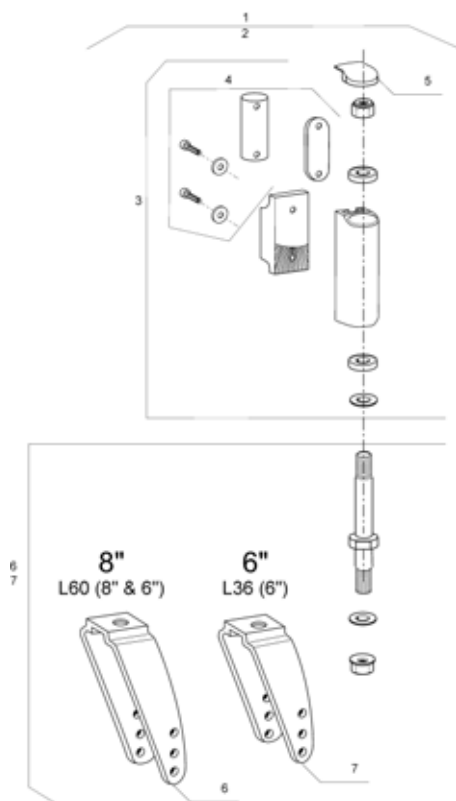
Pos.	Part number	Description	Qty
1	1486041	Rh Mudguard A3 Complete	1
2	1486042	Lh Mudguard A3 Complete	1
3	1492738	Rh Mudguard A3-A3J Complete Back Position	1
4	1492739	Lh Mudguard A3-A3J Complete Back Position	1
5	1488805	Rh Mudguard + Fixation	1
6	1488806	Lh Mudguard + Fixation	1
7	1450984	Armrest Central Support Assy	1

Forks <01/2005



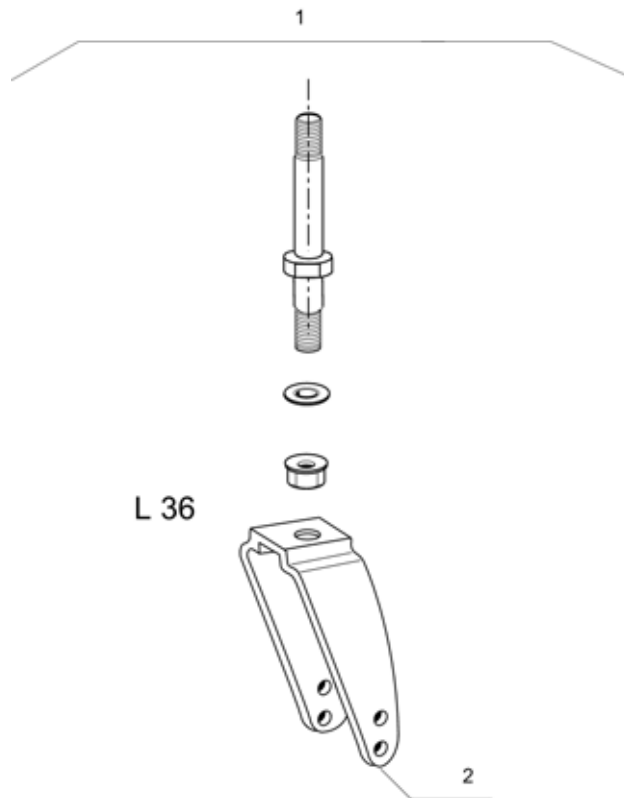
Pos.	Part number	Description	Qty
1	1428889-0601	Complet Long Fork Kit < 01/2005	1
2	1431310	Long Fork Support Kit< 01/2005	1
3	1428891	Fork Fixation Kit< 01/2005	1
4	1433680	Ring < 01/2005	1
5	1431309	Long Fork Kit< 01/2005	1
6	1428890-0601	Complet Short Fork Kit < 01/2005	1
7	1431312	Short Fork Support Kit< 01/2005	1
8	1431311	Short Fork Kit< 01/2005	1
9	1426620-0002	Fork Ring Support< 01/2005	1

Forks >01/2005

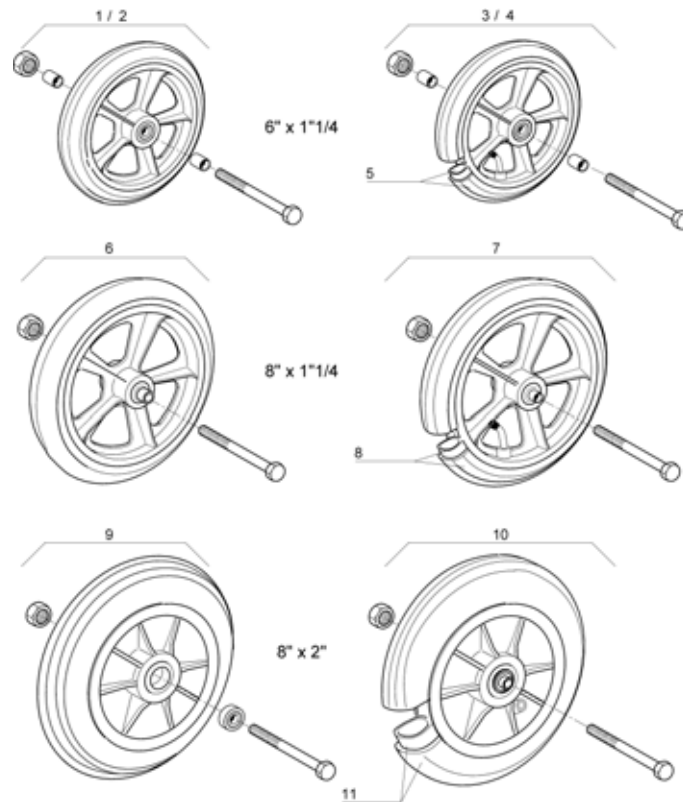


Pos.	Part number	Description	Qty
1	1450025	Complete Fork Kit L60 (8" & 6")	1
2	1450026	Complete Fork Kit L36 (6")	1
3	1444804	Fork Support Kit A3-A4	1
4	1450028	Fork Fixation Kit A3-A4	1
5	1449245	Fork Plastic Cap	1
6	1444802	Fork Kit L60 (8"&6")	1
7	1444803	Fork Kit L36 (6")	1

Fork Compact



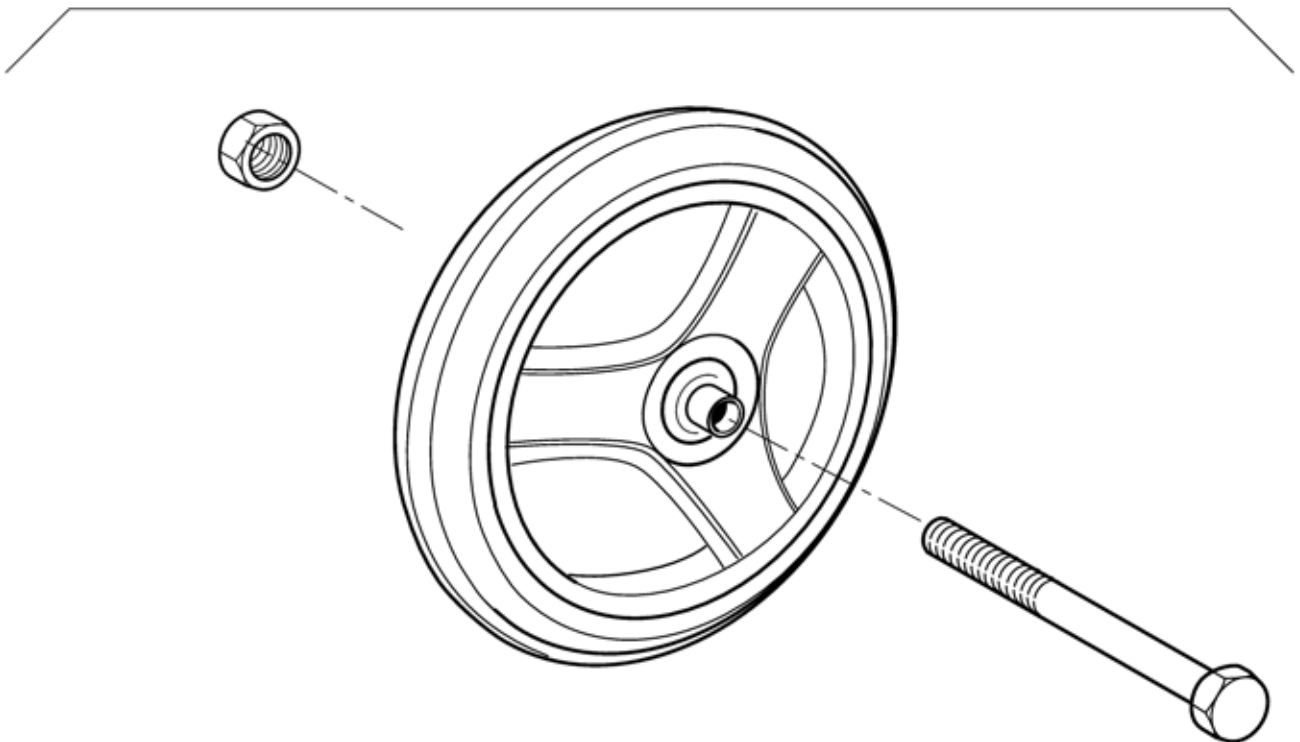
Pos.	Part number	Description	Qty
1	1513536	Fork Complete L36 A3 Junior	1
2	1507323-0601	Fork Kit L36 A3 Junior	1

Front castors

Pos.	Part number	Description	Qty
1	1450174	6" castor solid type complete width 36 cm	1
2	1428895	6" x 1 1/4" castor solid tyre complete L 60	1
3	1450175	6" castor pneumatic type complete width 36 mm	1
4	1428894	6" x 1 1/4" castor pneumatic tyre complete 60 mm	1
5	1431275	6" x 1 1/4" pneumatic tyre + inner tube	1
6	0572-02013	8" x 1 1/4" castor solid tyre complete	1
7	0572-01859	8" x 1 1/4" castor pneumatic tyre complete	1
8	1430873	8" x 1 1/4" pneumatic tyre + inner tube	1
9	0572-06128	8" x 2" castor solid tyre complete	1
10	0572-02071	8" x 2" castor pneumatic tyre complete	1
11	1430874	8" x 2" pneumatic tyre + inner tube	1















Front castor 5" Compact

1

















Pos.	Part number	Description	Qty
1	1450173	5"x1" Castor Solid Type + Fixation L 36 mm	1

24" Standard Wheels < 03/2007

24" <03/2007		 1" 	 1" 	 1" 3/8 	 1" 3/8 
		1	2	3	4
		5	-	6	7
		-	-	8	9
		-	-	10	11

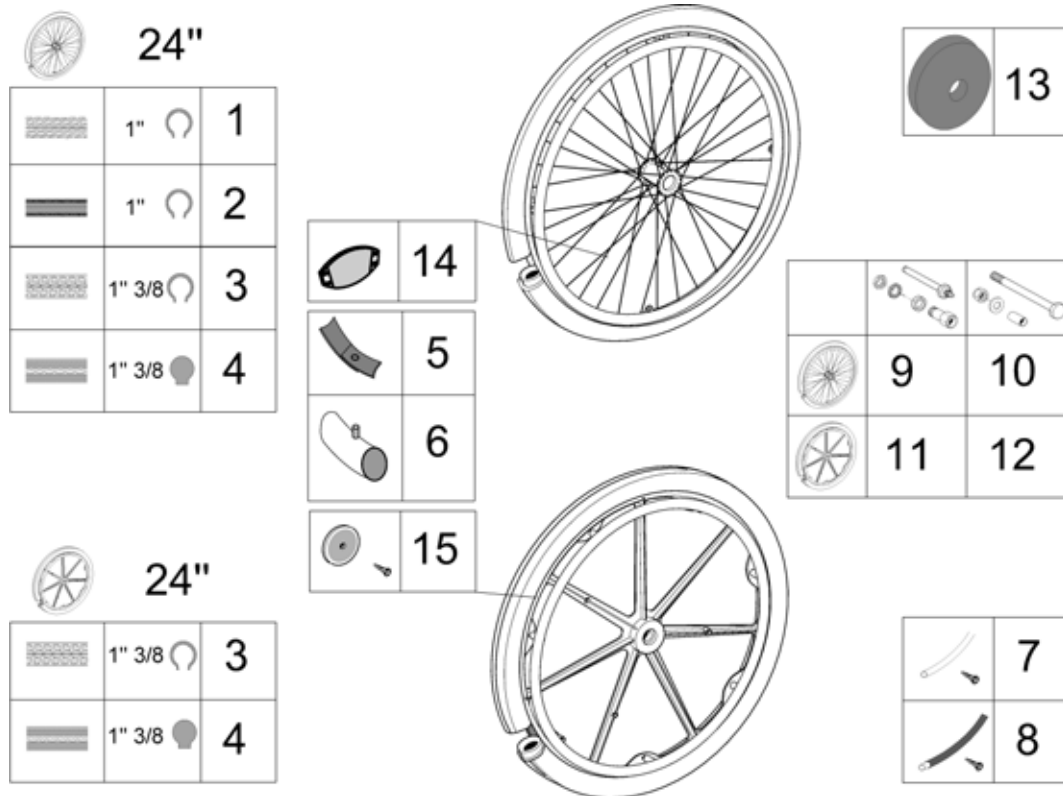
Pos.	Part number	Description	Qty
1	1505309	Pair 24"x1" spoked + anodized handrim + notched pneumatic tyre + QR axle < 03/2007	1
2	1507797-0609	Pair 24"x1" spoked + anodized handrim + non marking tyre + QR axle + anthracite rim < 03/2007	1
2	1507796	Pair 24"x1" spoked + anodized handrim + non marking tyre + QR axle < 03/2007	1
2	1507797-0608	Pair 24"x1" spoked + anodized handrim + non marking tyre + QR axle + sapph. blue rim < 03/2007	1
2	1507797-0607	Pair 24"x1" spoked + anodized handrim + non marking tyre + QR axle + dark red rim < 03/2007	1
3	1519397	Pair 24"x1.3/8" spoked + anodized handrim + pneumatic tyre + fixed axle < 03/2007	1
3	1505305	Pair 24"x1.3/8" spoked + anodized handrim + pneumatic tyre + QR axle < 03/2007	1
4	1519399	Pair 24"x1.3/8" spoked + anodized handrim + solid tyre + fixed axle < 03/2007	1
4	1505307	Pair 24"x1.3/8" spoked + anodized handrim + solid tyre + QR axle < 03/2007	1
5	1505618	Pair 24"x1" spoked + anti-slip handrim + notched pneumatic tyre + QR axle < 03/2007	1
6	1505393	Pair 24"x1.3/8" spoked + anti-slip handrim + pneumatic tyre + QR axle < 03/2007	1
6	1519401	Pair 24"x1.3/8" spoked + anti-slip handrim + pneumatic tyre + fixed axle < 03/2007	1
7	1519403	Pair 24"x1.3/8" spoked + anti-slip handrim + solid tyre + fixed axle < 03/2007	1
7	1505595	Pair 24"x1.3/8" spoked + anti-slip handrim + solid tyre + QR axle < 03/2007	1
8	0572-05909	24"x1.3/8" composite + anodized handrim + pneumatic tyre	1
9	0572-05908	24"x1.3/8" composite + anodized handrim + solid tyre	1
10	0572-05193	24"x1.3/8" composite + anti-slip handrim + pneumatic tyre	1
11	0572-05195	24"x1.3/8" composite + anti-slip handrim + solid tyre	1

24" Standard Wheels > 03/2007

24" >03/2007					
		1" 	1" 	1" 3/8 	1" 3/8 
		1	2	3	4
		5	-	6	7
		-	-	8	9
		-	-	10	11








Pos.	Part number	Description	Qty
1	1498425	24"x1" spoked + anodized handrim + notched pneumatic tyre > 03/2007	1
2	1498431-0607	24"x1" spoked + anodized handrim + non marking pneumatic tyre + dark red rim > 03/2007	1
2	1498431-0608	24"x1" spoked + anodized handrim + non marking pneumatic tyre + sapphire blue rim > 03/2007	1
2	1498431	24"x1" spoked + anodized handrim + non marking pneumatic tyre > 03/2007	1
2	1498431-0609	24"x1" spoked + anodized handrim + non marking pneumatic tyre + anthracite black rim > 03/2007	1
3	1498423	24"x1.3/8" spoked + anodized handrim + pneumatic tyre > 03/2007	1
4	1498263	24"x1.3/8" spoked + anodized handrim + solid tyre > 03/2007	1
5	1498426	24"x1" spoked + anti-slip handrim + notched pneumatic tyre > 03/2007	1
6	1498424	24"x1.3/8" spoked + anti-slip handrim + pneumatic tyre > 03/2007	1
7	1498422	24"x1.3/8" spoked + anti-slip handrim + solid tyre > 03/2007	1
8	0572-05909	24"x1.3/8" composite + anodized handrim + pneumatic tyre	1
9	0572-05908	24"x1.3/8" composite + anodized handrim + solid tyre	1
10	0572-05193	24"x1.3/8" composite + anti-slip handrim + pneumatic tyre	1
11	0572-05195	24"x1.3/8" composite + anti-slip handrim + solid tyre	1

24" Standard Wheels accessories










Pos.	Part number	Description	Qty
1	0036-30013	24"x1" notched pneumatic tyre	1
2	1026138	24"x1" non marking pneumatic tyre	1
3	0036-30001	24"x1.3/8" pneumatic tyre	1
4	0036-10013	24"x1.3/8" solid tyre	1
5	0036-40003	24" rim tape	1
6	1032240	24"x1" inner tube	1
6	0036-20001	24"x1.3/8" inner tube	1
7	1431317	24" anodized handrim 7 fixations	1
7	1431314	24" anodized handrim 4 fixations < 03/2007	1
7	1505291	24" anodized handrim 4 fixations > 03/2007	1
8	1431318	24" anti-slip handrim 7 fixations	1
8	1431315	24" anti-slip handrim 4 fixations < 03/2007	1
8	1505298	24" anti-slip handrim 4 fixations > 03/2007	1
9	1431276	QR axle for spoked wheels < 03/2007	1
9	1505288	QR axle for spoked wheels > 03/2007	1
10	1431277	Fixed axle for spoked wheels < 03/2007	1
10	1505289	Fixed axle for spoked wheels > 03/2007	1
11	1434129	QR axle for composite wheels	1
12	1431279	Fixed axle for composite wheels	1
13	0789-04400	Spoke guards 24"	1
14	N90003	Reflectors kit for spoked wheels	1
15	9037-30001	Reflectors kit for composite wheels	1

22" Standard Wheels < 03/2007

<h1>22"</h1> <p><03/2007</p>		 1" 3/8 	 1" 3/8 
		<h1>1</h1>	<h1>2</h1>
		<h1>3</h1>	<h1>4</h1>

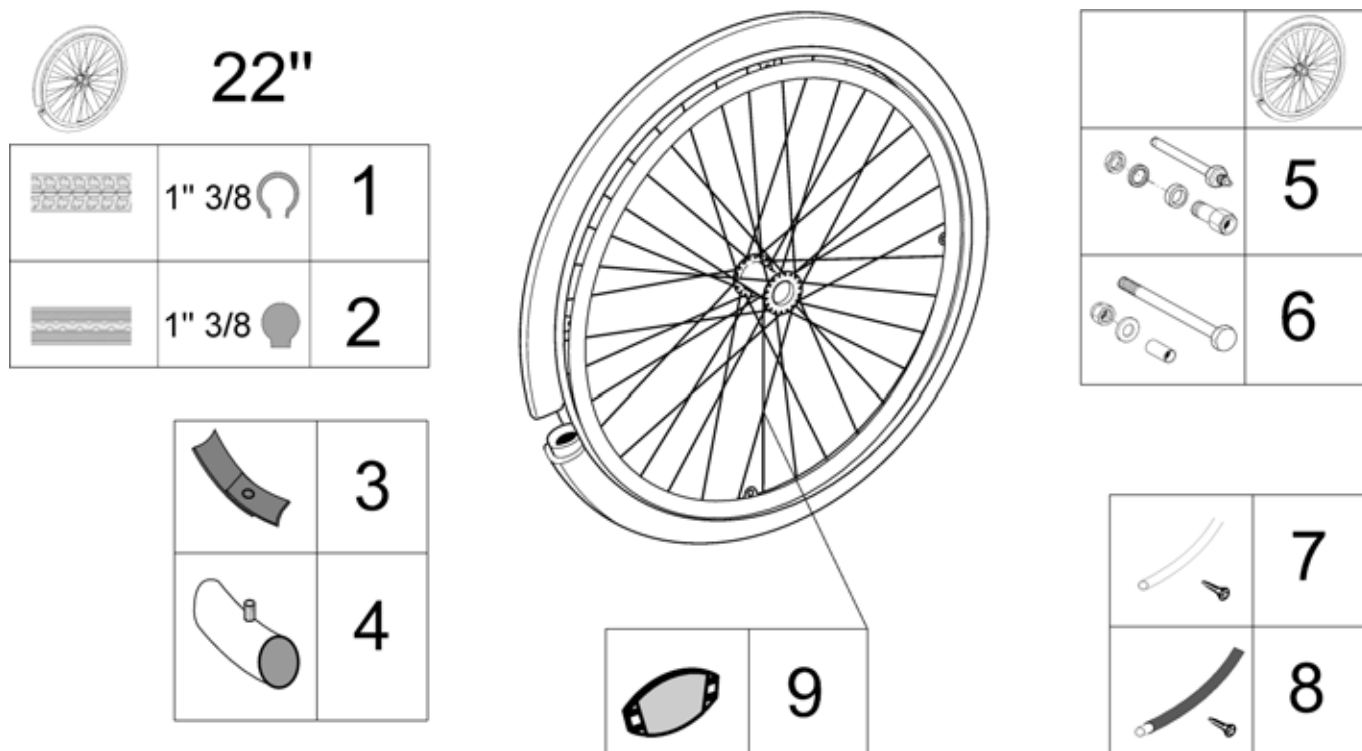
Pos.	Part number	Description	Qty
1	1519398	Pair 22"x1.3/8" spoked + anodized handrim + pneumatic tyre + fixed axle < 03/2007	1
1	1505306	Pair 22"x1.3/8" spoked + anodized handrim + pneumatic tyre + QR axle < 03/2007	1
2	1505308	Pair 22"x1.3/8" spoked + anodized handrim + solid tyre + QR axle < 03/2007	1
2	1519400	Pair 22"x1.3/8" spoked + anodized handrim + solid tyre + fixed axle < 03/2007	1
3	1505410	Pair 22"x1.3/8" spoked + anti-slip handrim + pneumatic tyre + QR axle < 03/2007	1
3	1519402	Pair 22"x1.3/8" spoked + anti-slip handrim + pneumatic tyre + fixed axle < 03/2007	1
4	1519404	Pair 22"x1.3/8" spoked + anti-slip handrim + solid tyre + fixed axle < 03/2007	1
4	1505608	Pair 22"x1.3/8" spoked + anti-slip handrim + solid tyre + fixed axle < 03/2007	1

22" Standard Wheels > 03/2007

<h1>22"</h1> <p>>03/2007</p>		 1" 3/8 	 1" 3/8 
		1	2
		3	4






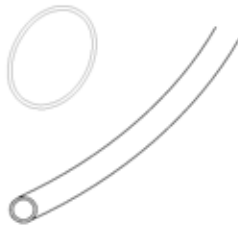
Pos.	Part number	Description	Qty
1	1498434	22" Pneumatic Basic/19" Alu. Handrim	1
2	1498432	22"x1.3/8" spoked + anodized handrim + solid tyre > 03/2007	1
3	1498435	22"x1.3/8" spoked + anti-slip handrim + pneumatic tyre > 03/2007	1
4	1498433	22"x1.3/8" spoked + anti-slip handrim + solid tyre > 03/2007	1

22" Standard Wheels accessories



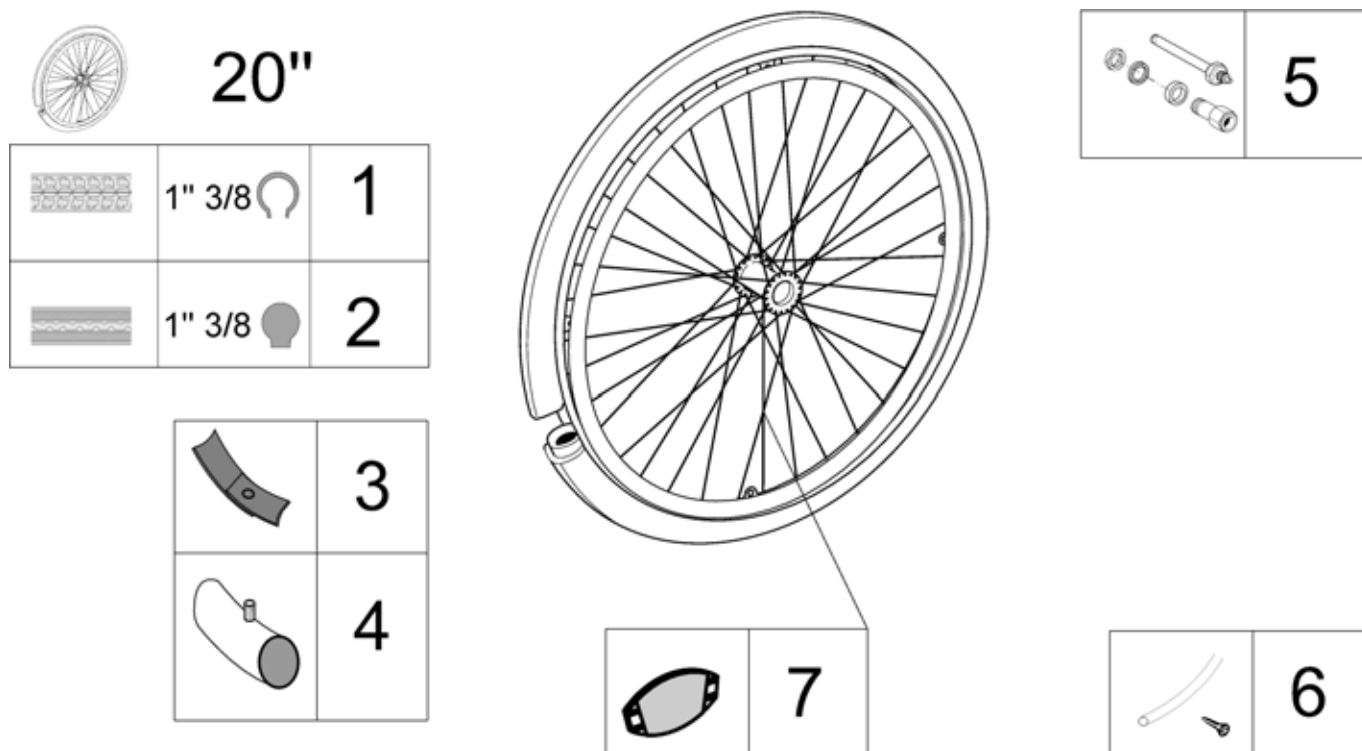
Pos.	Part number	Description	Qty
1	0036-30035	22"x1.3/8" pneumatic tyre	1
2	0036-10014	22"x1.3/8" solid tyre	1
3	0036-40002	22" rim tape	1
4	0036-20007	22"x1.3/8" inner tube	1
5	1431276	QR axle for spoked wheels < 03/2007	1
5	1505288	QR axle for spoked wheels > 03/2007	1
6	1431277	Fixed axle for spoked wheels < 03/2007	1
6	1505289	Fixed axle for spoked wheels > 03/2007	1
7	1505299	22" anodized handrim 4 fixations > 03/2007	1
7	1431320	22" anodized handrim 4 fixations < 03/2007	1
8	1505920	22" anti-slip handrim 4 fixations < 03/2007	1
8	1430419	22" anti-slip handrim 4 fixations > 03/2007	1
9	N90003	Reflectors kit for spoked wheels	1

20" Standard Wheels Compact

<h1>20"</h1>		 1" 3/8 	 1" 3/8 
		<h1>1</h1>	<h1>2</h1>

Pos.	Part number	Description	Qty
1	1445041	20" Pneumatic Basic/19" Alu. Handrim	1
2	1445042	20" Solid Basic/19" Alu. Handrim	1

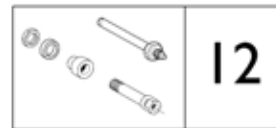
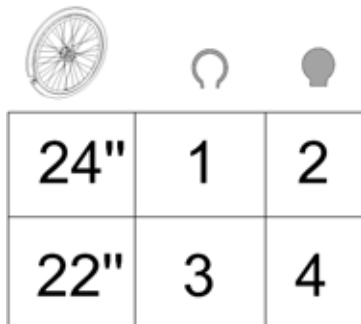
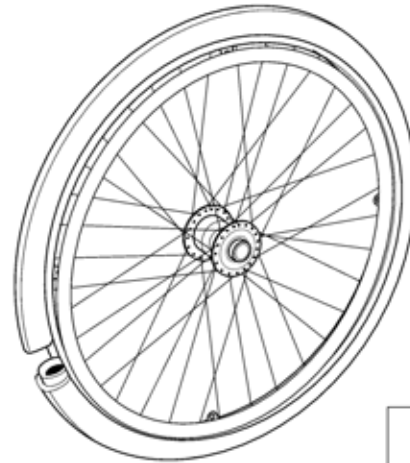
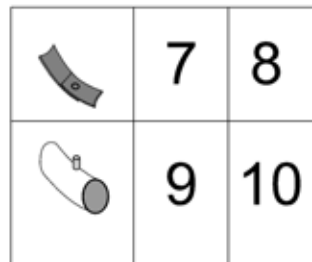
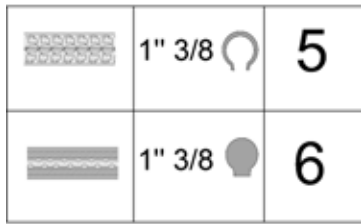
20" Standard Wheels accessories Compact



Pos.	Part number	Description	Qty
1	M11009	20 X 1.1.3/8 Pneumatic	1
2	1TYR2002	Grey 20"	1
3	1507198	20" Rim Tape	1
4	0036-20006	20" Inner Tube	1
5	1505288	QR axle for spoked wheels > 03/2007	1
6	1507241	20" Anodised Handrim	1
7	N90003	Reflectors kit for spoked wheels	1

24"/22" Hub brake wheels with accessories < 06/2007

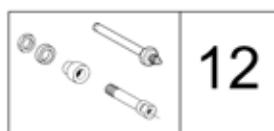
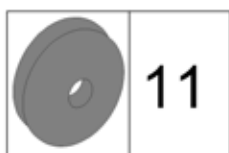
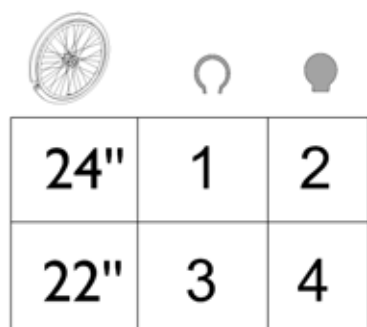
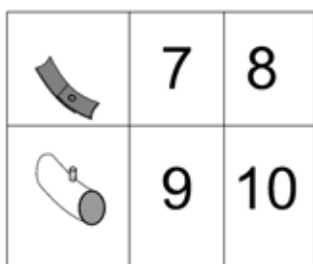
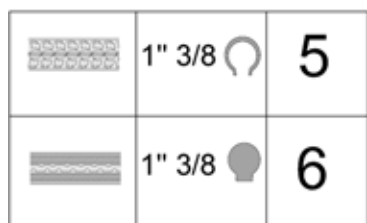
24" / 22"
<06/2007



Pos.	Part number	Description	Qty
1	1505301	Pair 24"x1.3/8" hub brake spoked + anodized handrim + pneumatic tyre + QR axle < 06/2007	1
2	1505302	Pair 24"x1.3/8" hub brake spoked + anodized handrim + solid tyre + QR axle < 06/2007	1
3	1505303	Pair 22"x1.3/8" hub brake spoked + anodized handrim + pneumatic tyre + QR axle < 06/2007	1
4	1505304	Pair 22"x1.3/8" hub brake spoked + anodized handrim + solid tyre + QR axle < 06/2007	1
5	0036-30001	24"x1.3/8" pneumatic tyre	1
5	0036-30035	22"x1.3/8" pneumatic tyre	1
6	0036-10013	24"x1.3/8" solid tyre	1
6	0036-10014	22"x1.3/8" solid tyre	1
7	0036-40003	24" rim tape	1
8	0036-40002	22" rim tape	1
9	0036-20001	24"x1.3/8" inner tube	1
10	0036-20007	22"x1.3/8" inner tube	1
11	0789-04400	Spoke guards 24"	1
12	1505290	QR axle for hub brake spoked wheels	1
13	N90003	Reflectors kit for spoked wheels	1
14	1431314	24" anodized handrim 4 fixations < 03/2007	1
14	1431320	22" anodized handrim 4 fixations < 03/2007	1

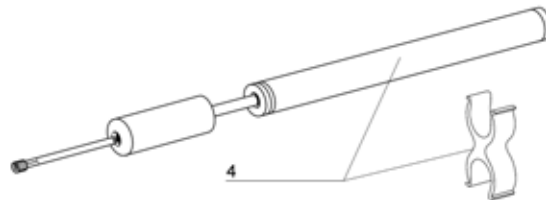
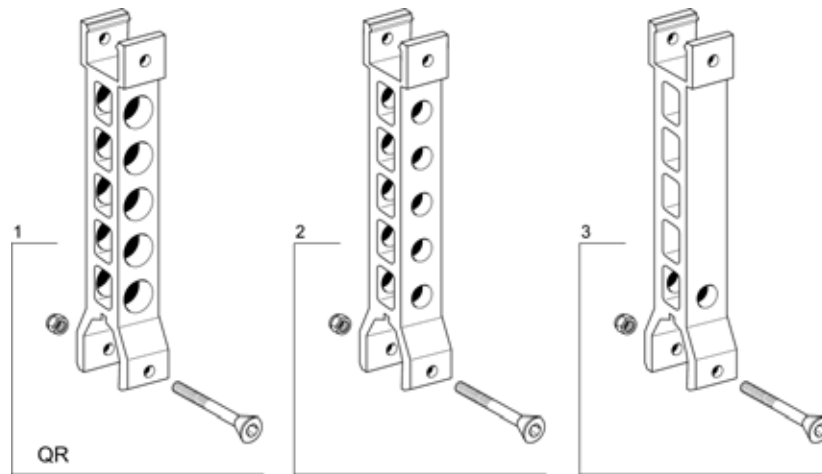
24"/22" Hub brake wheels with accessories > 06/2007

24" / 22"
>06/2007



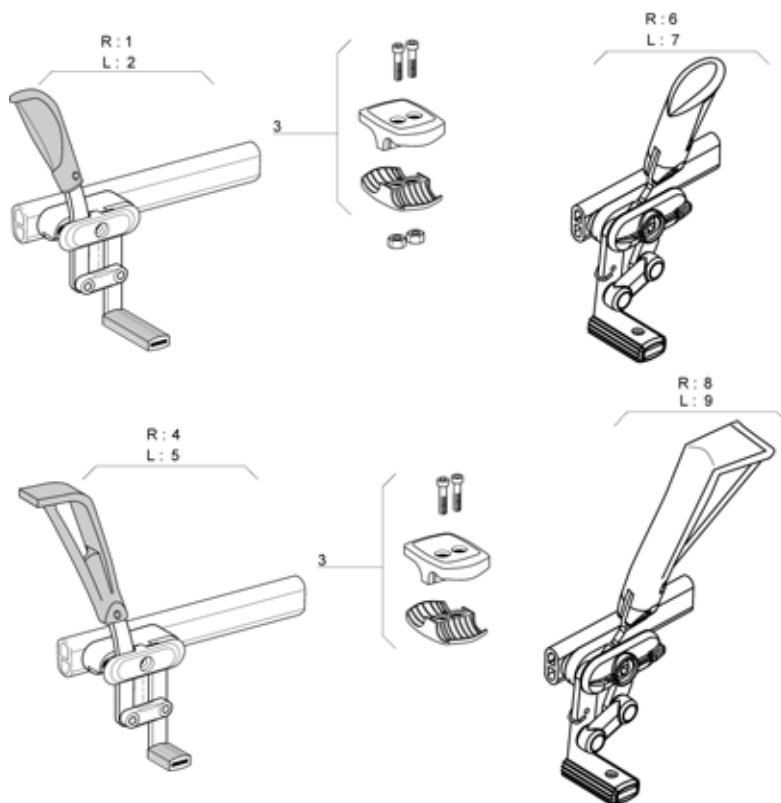
Pos.	Part number	Description	Qty
1	1498428	24"x1.3/8" hub brake spoked + anodized handrim + pneumatic tyre > 06/2007	1
2	1498427	24"x1.3/8" hub brake spoked + anodized handrim + solid tyre > 06/2007	1
3	1498466	22"x1.3/8" hub brake spoked + anodized handrim + pneumatic tyre > 06/2007	1
4	1498461	22"x1.3/8" hub brake spoked + anodized handrim + solid tyre > 06/2007	1
5	0036-30001	24"x1.3/8" pneumatic tyre	1
5	0036-30035	22"x1.3/8" pneumatic tyre	1
6	0036-10013	24"x1.3/8" solid tyre	1
6	0036-10014	22"x1.3/8" solid tyre	1
7	0036-40003	24" rim tape	1
8	0036-40002	22" rim tape	1
9	0036-20001	24"x1.3/8" inner tube	1
10	0036-20007	22"x1.3/8" inner tube	1
11	0789-04400	Spoke guards 24"	1
12	1505290	QR axle for hub brake spoked wheels	1
13	N90003	Reflectors kit for spoked wheels	1
14	1505291	24" anodized handrim 4 fixations > 03/2007	1
14	1505299	22" anodized handrim 4 fixations > 03/2007	1

Rear Wheel Supports & Pump



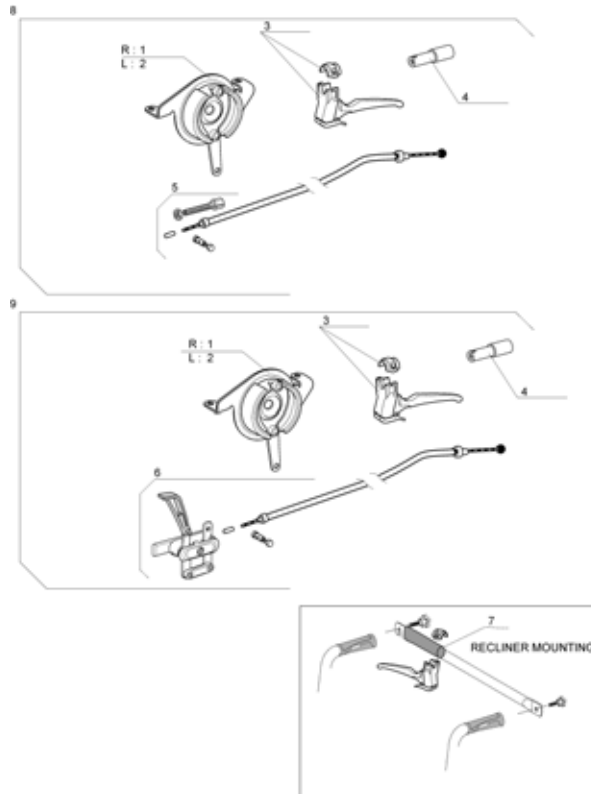
Pos.	Part number	Description	Qty
1	1431282	Rear wheel support for QR axle	1
2	1431283	Rear wheel support for fixed axle	1
3	1432945	Rear wheel support non adjustable for fixed axle (Belgium)	1
4	1419910	Pump and its support	1

Push Brakes : Standard And With Extension



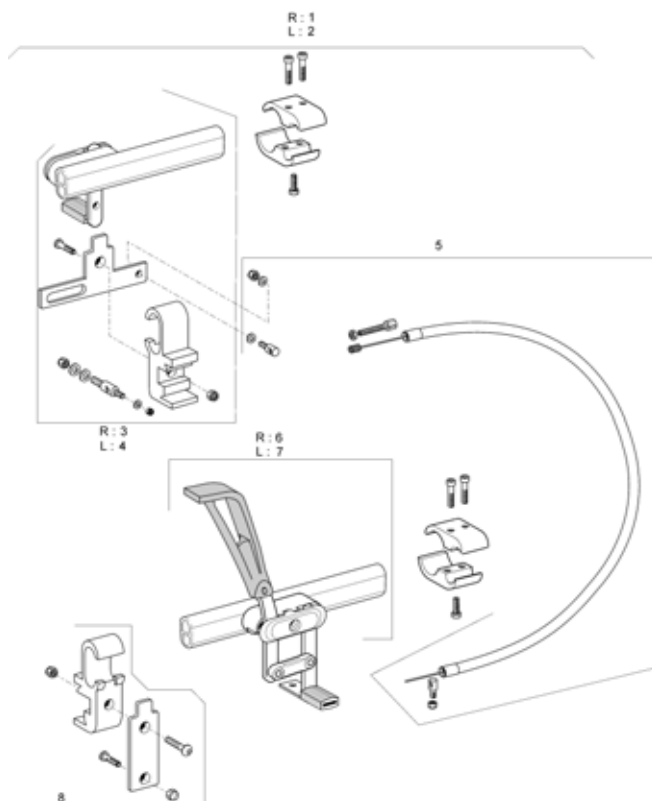
Pos.	Part number	Description	Qty
1	1425635	Brake Rh Long	1
2	1425634	Brake Lh Long	1
3	1423107	Complete Brake Composite Clamp	1
4	1425603	Extended Brake Rh Long	1
5	1425602	Extended Brake Lh Long	1
6	1425643	Rh Reverse Push to Lock Brake A3	1
7	1425642	Lh Reverse Push to Lock Brake A3	1
8	1425641	Rh Reverse Complete Brake With Lever Extension	1
9	1425640	Lh Reverse Complete Brake with lever extension	1

Attendant Hub Brake



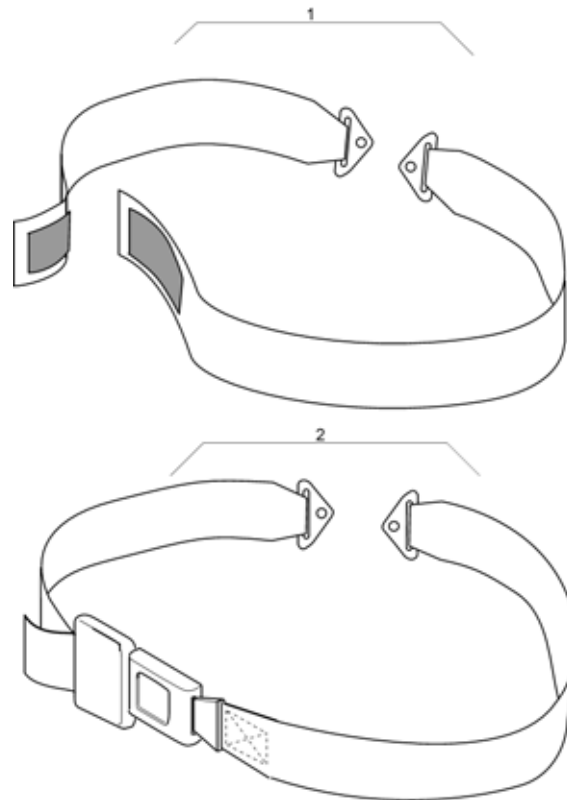
Pos.	Part number	Description	Qty
1	1423292	Rh Hub Brake Plate 70mm	1
2	1423293	Lh Hub Brake Plate 70mm	1
3	1420527	Black Brake Lever dia 22mm	1
4	1430412	Back brace insert for fixed backrest tube	1
5	1430204	Attendant Hub Brakes Complete Mechanism (pair)	1
6	1430205	Dual hub brakes complete mechanism (pair)	1
7	1434626	Backbrace Handle	1
8	1445674	Attendant Hub Brakes Complet Kit (Without Wheel & Axle)	1
9	1445675	Dual Hub Brakes Complet Kit (Without Wheel & Axle)	1

Oad Wire Control Brake



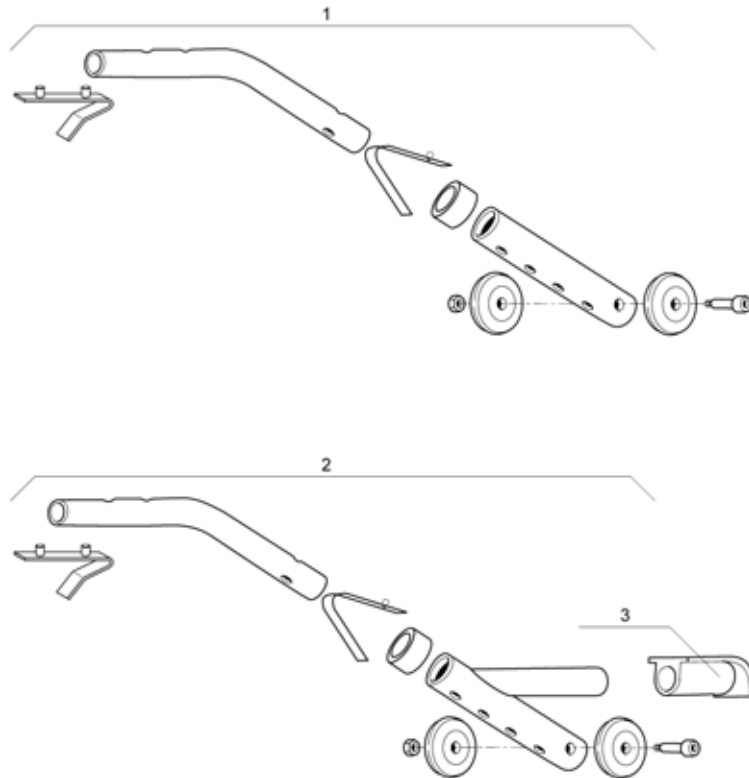
Pos.	Part number	Description	Qty
1	1430202	Rh Oad Brake Wire Controled	1
2	1430203	Lh Oad Brake Wire Controled	1
3	1433462	Rh Wire Control Brake Complete + Clamp; Lh Control	1
4	1433461	Lh Wire Control Brake Complete + Clamp; Rh Control	1
5	1433464	Compleat Cable Wire Control Brake	1
6	1430254	Rh Hemi Brake Action3	1
7	1430253	Lh Hemi Brake Action3	1
8	1433463	Wire Control Brake Clamp Kit	1

Lapt belts



Pos.	Part number	Description	Qty
1	0572-02049	Velcro safety belt	1
2	0572-05389	Buckle safety belt	1

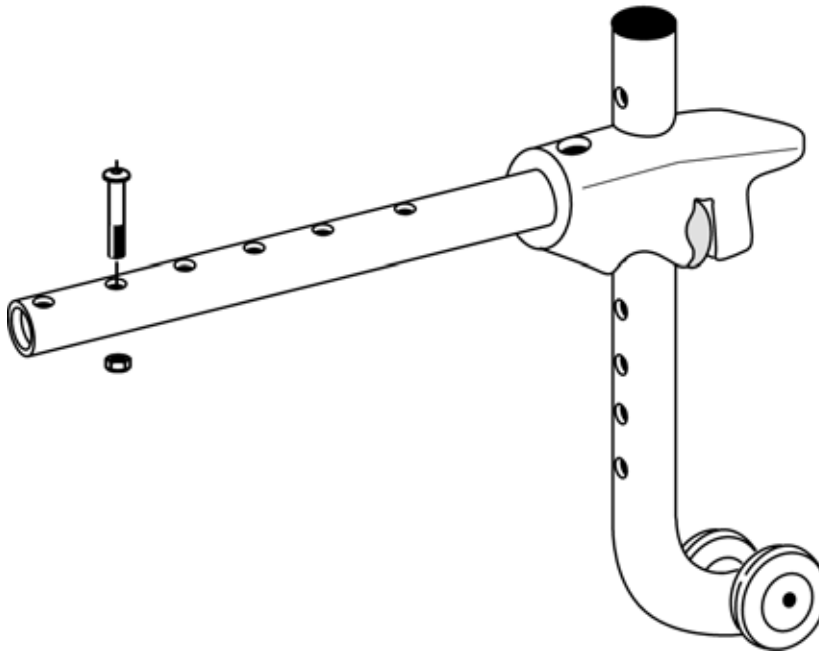
Rear Anti Tipper And Tipping Tube



Pos.	Part number	Description	Qty
1	0572-05848	Rear Anti Tippers	1
2	0572-05849	Tipping & Rear Anti Tipper Tubes	1
3	0021-20011	Black Foot Support Cap	1

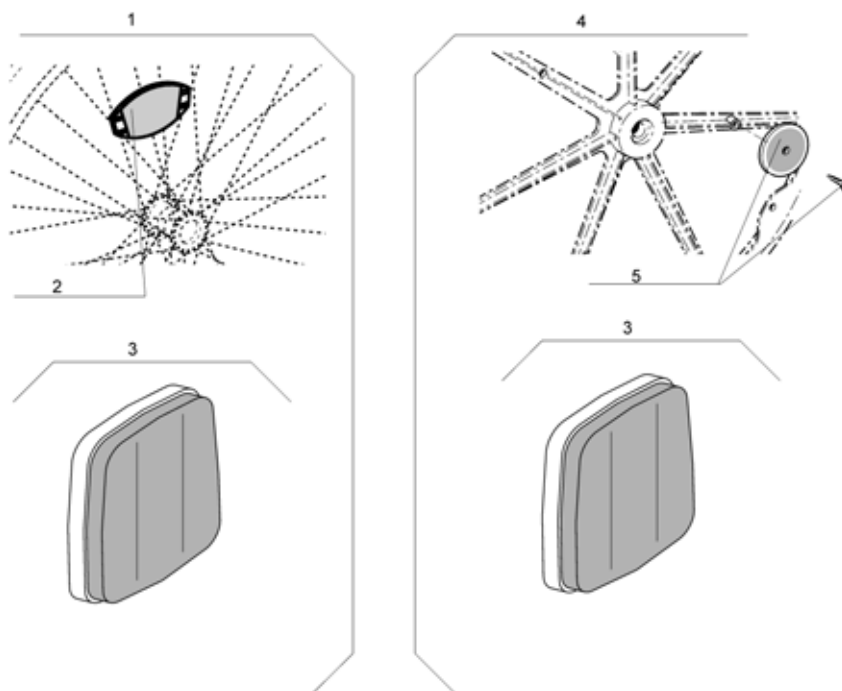
Rear Anti Tippers

1



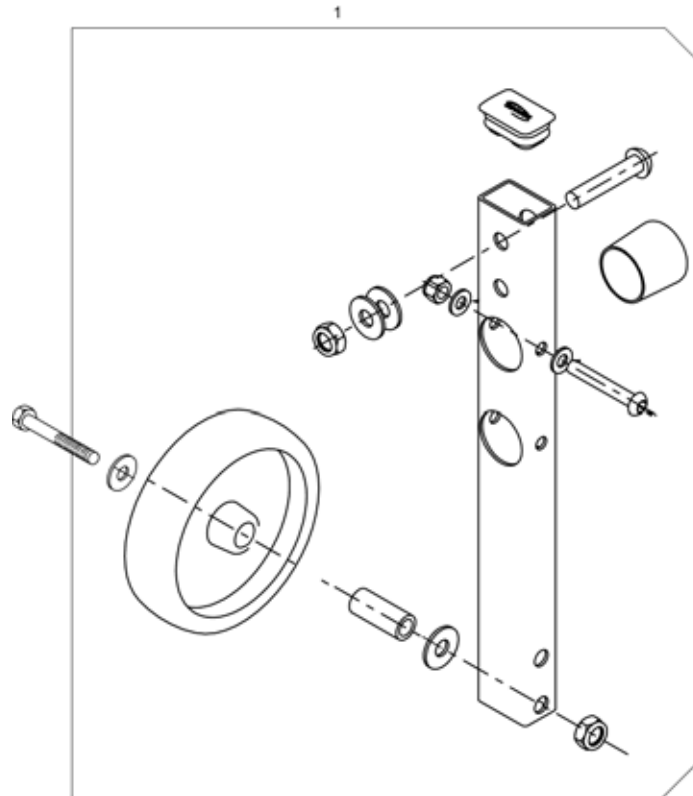
Pos.	Part number	Description	Qty
1	1484890	Anti Tip Device Complet A3/A4	1

Reflectors



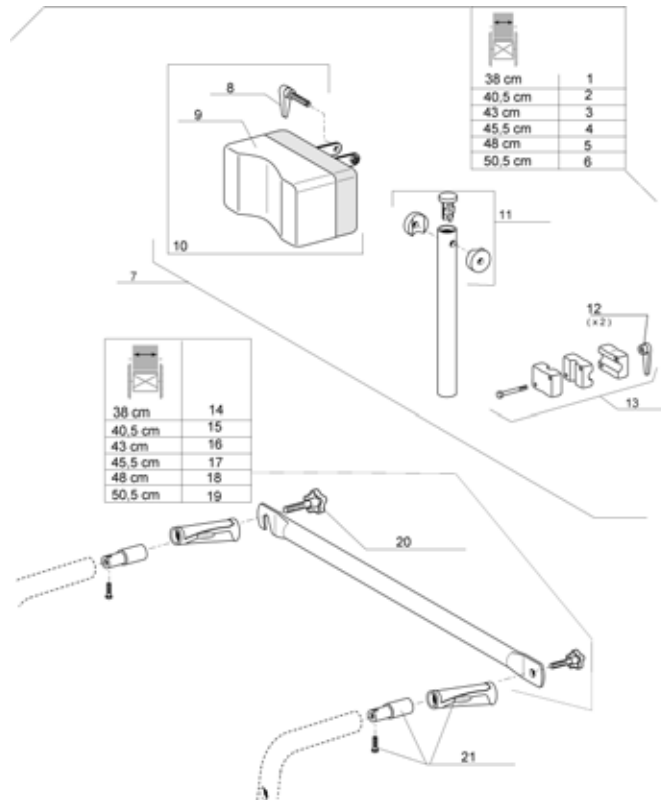
Pos.	Part number	Description	Qty
1	1430293	Spoked wheel & Frame Reflectors Kit	1
2	N90003	Reflectors kit for spoked wheels	1
3	1430184	Frame Reflectors Kit	1
4	1430292	Composite wheel & frame reflectors kit	1
5	9037-30001	Reflectors kit for composite wheels	1

Transfer Kit



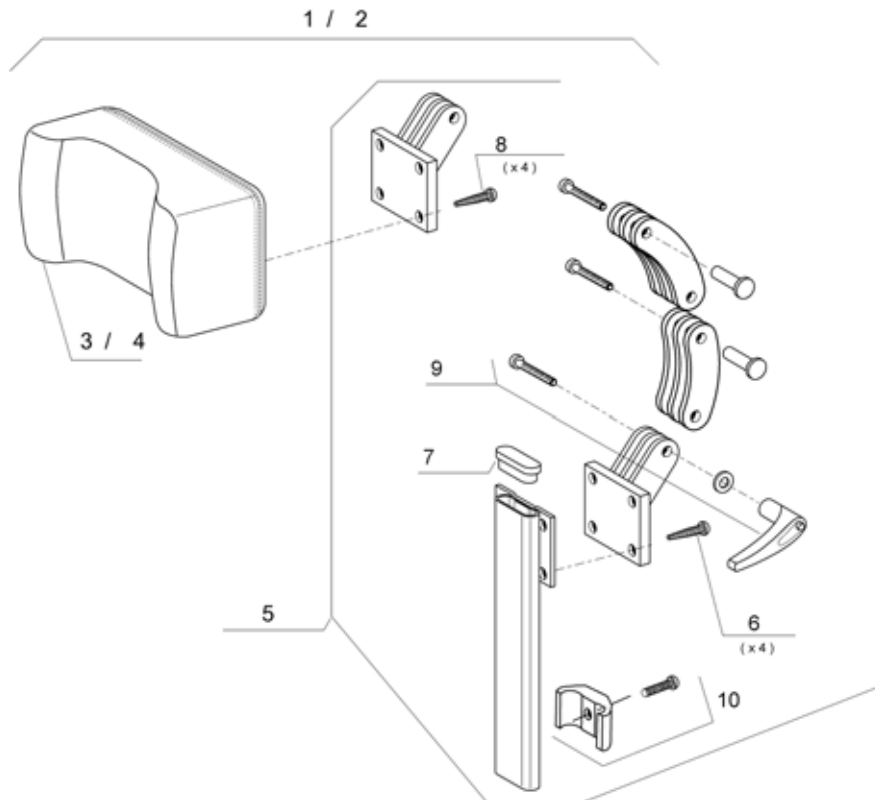
Pos.	Part number	Description	Qty
1	1492139	Transfert Kit Complete	1

Standard Headrest



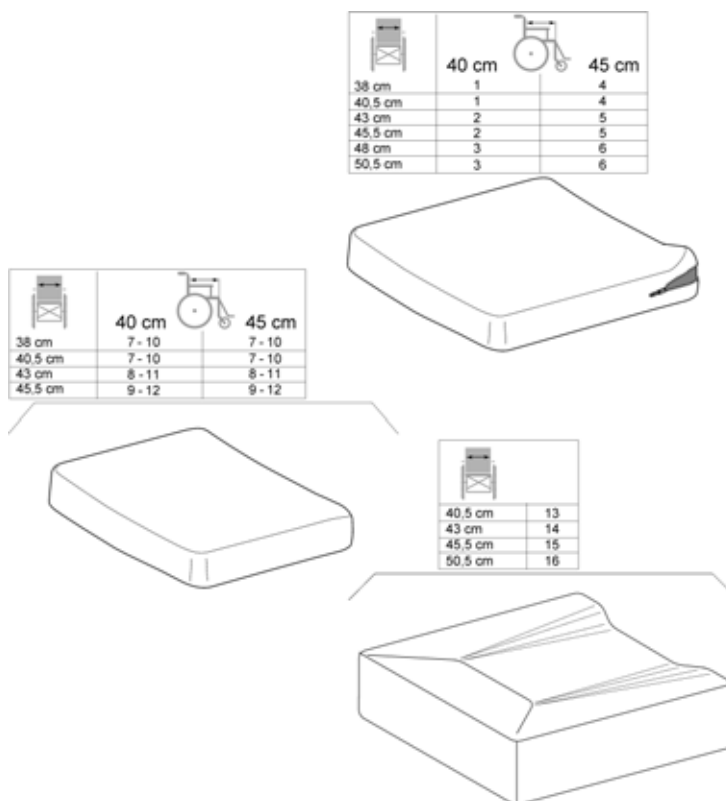
Pos.	Part number	Description	Qty
1	1433028	Headrest + Backbrace + Fixation Set W 38Cm	1
2	1433029	Headrest + Backbrace + Fixation Set W 40,5Cm	1
3	1433030	Headrest + Backbrace + Fixation Set W 43Cm	1
4	1433031	Headrest + Backbrace + Fixation Set W 45,5Cm	1
5	1433032	Headrest + Backbrace + Fixation Set W 48Cm	1
6	1433033	Headrest + Backbrace + Fixation Set W 50,5Cm	1
7	1433702	Comfort Headrest + Support Tube	1
8	1428595	Indexable Lever; M6X40	1
9	1420507	Headrest Pad Comfort Vinyle	1
10	1432623	Headrest Cushion + Fixation	1
11	1432622	Headrest Tube Kit	1
12	1428547	Indexable Lever; Female M6	1
13	1432617	Headrest Support Kit	1
14	1434099	Back Brace Kit Assy W 38Cm	1
15	1434100	Back Brace Kit Assy W 40,5Cm	1
16	1433707	Back Brace Kit Assy W 43Cm	1
17	1433708	Back Brace Kit Assy W 45,5Cm	1
18	1433716	Back Brace Kit Assy W 48Cm	1
19	1434105	Back Brace Kit Assy W 50,5Cm	1
20	0021-60029	32 mm M6 x 16 Button	1
21	1430412	Back brace insert for fixed backrest tube	1

Comfort Headrest



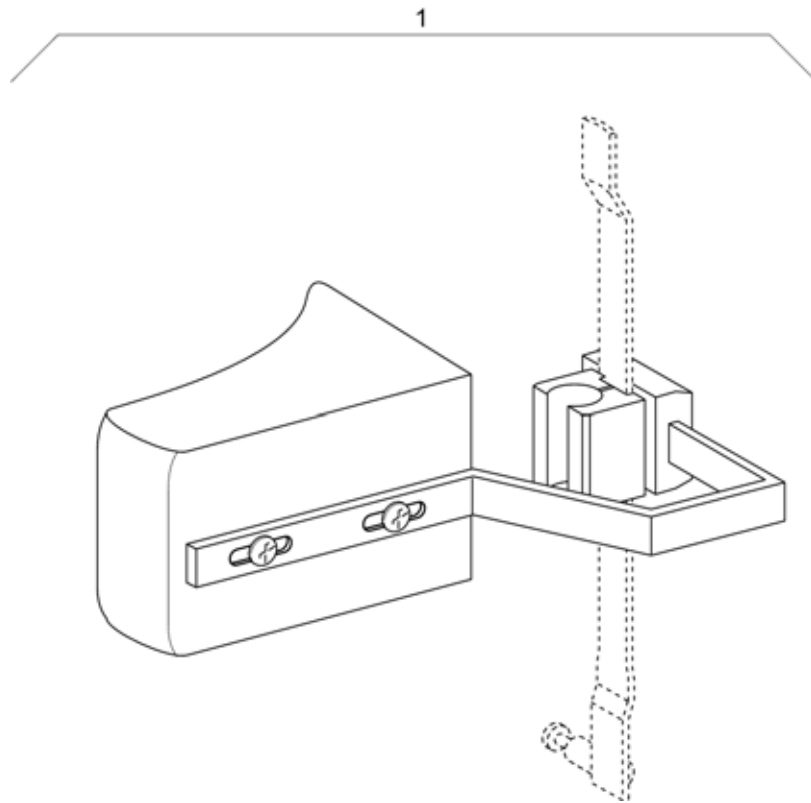
Pos.	Part number	Description	Qty
1	1440900	Headrest Comfort Dartex	1
2	1514954	Headrest comfort vinyle	1
3	1440903	Headrest Pad Comfort Dartex	1
4	1420507	Headrest Pad Comfort Vinyle	1
5	1415942	Articulation headrest kit	1
6	1421921	Zinc st M5 x 8 TBCL screw	1
7	5716497	PLUG IPO "SPECIAL"	1
8	0029-40032	6.8 Zinc CHC M5 x 20 Screw	1
9	1440954	Articulation headrest fixing kit	1
10	1448661	STOP, NECK- & HEADREST, CPL.	1

Cushions



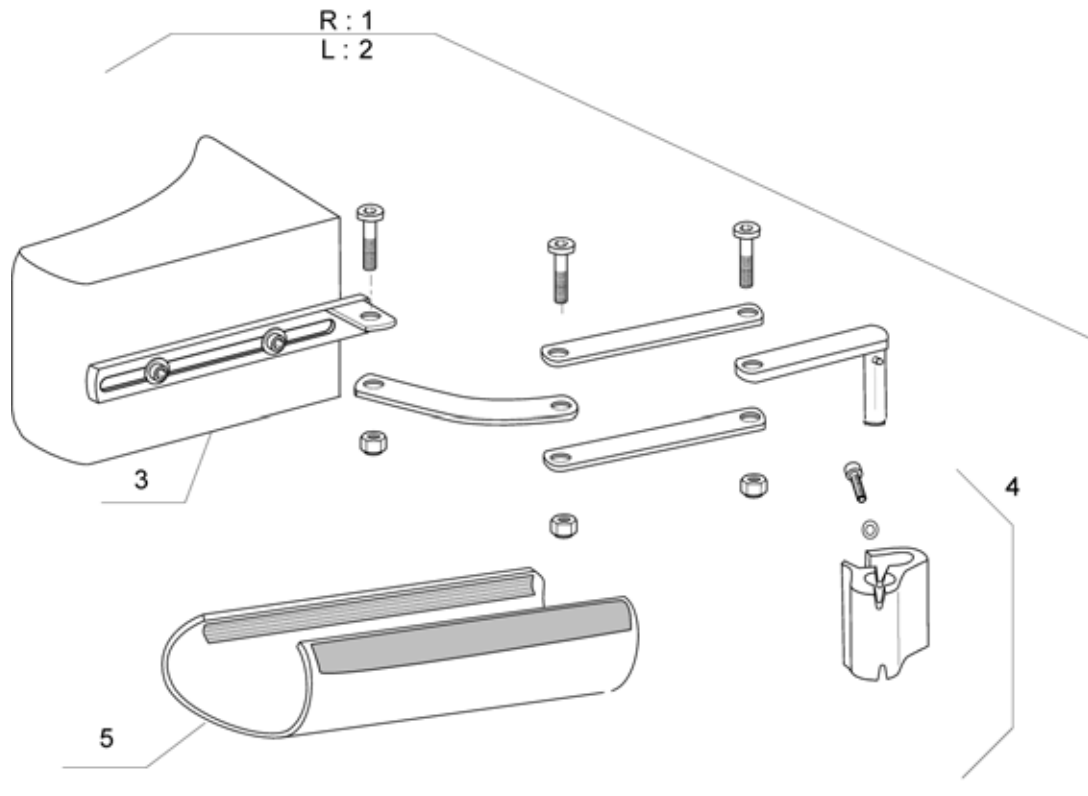
Pos.	Part number	Description	Qty
1	0572-05013	Cushion width 38 cm depth 41 cm	1
2	0572-05017	Cushion width 44 cm depth 41 cm	1
3	1418615	Standard Foam Cushion W 48Cm X D 41Cm	1
4	0572-05014	Standard Foam Cushion W 38Cm X D 44Cm	1
5	0572-05018	Standard Foam Cushion W 43Cm X D 44Cm	1
6	1418616	Standard Foam Cushion W 48Cm X D 44Cm	1
7	C333T40	Gel Cushions W 40,5 Cm X D 42 Cm - Only For France	1
8	C333T43	Gel Cushions W 43 Cm X D 42 Cm - Only For France	1
9	C333T45	Gel Cushions W 45 Cm X D 42 Cm - Only For France	1
10	C333T40-l	Gel Cushions W 40,5 Cm X D 42 Cm - Not Available In France	1
11	C333T43-l	Gel Cushions W 43 Cm X D 42 Cm - Not Available In France	1
12	C333T45-l	Gel Cushions W 45 Cm X D 42 Cm - Not Available In France	1
13	1428516	Comfort Cushion W 40,5Cm	1
14	1428517	Comfort Cushion W 43Cm	1
15	1428518	Comfort Cushion W 45,5Cm	1
16	1428519	Comfort Cushion W 50,5Cm	1

Trunk Support

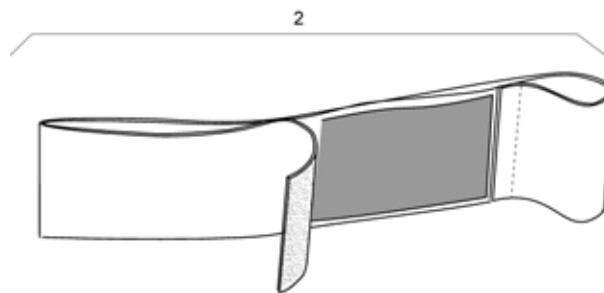
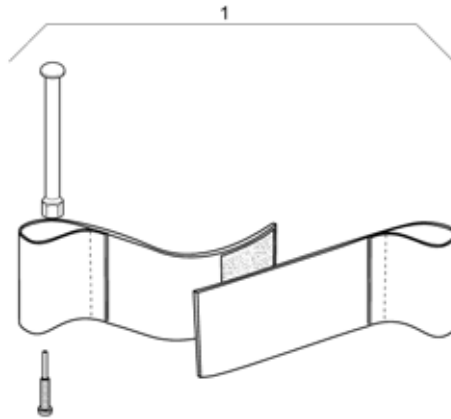


Pos.	Part number	Description	Qty
1	1422587	Trunk Support	1

Trunk Support Comfort Dartex

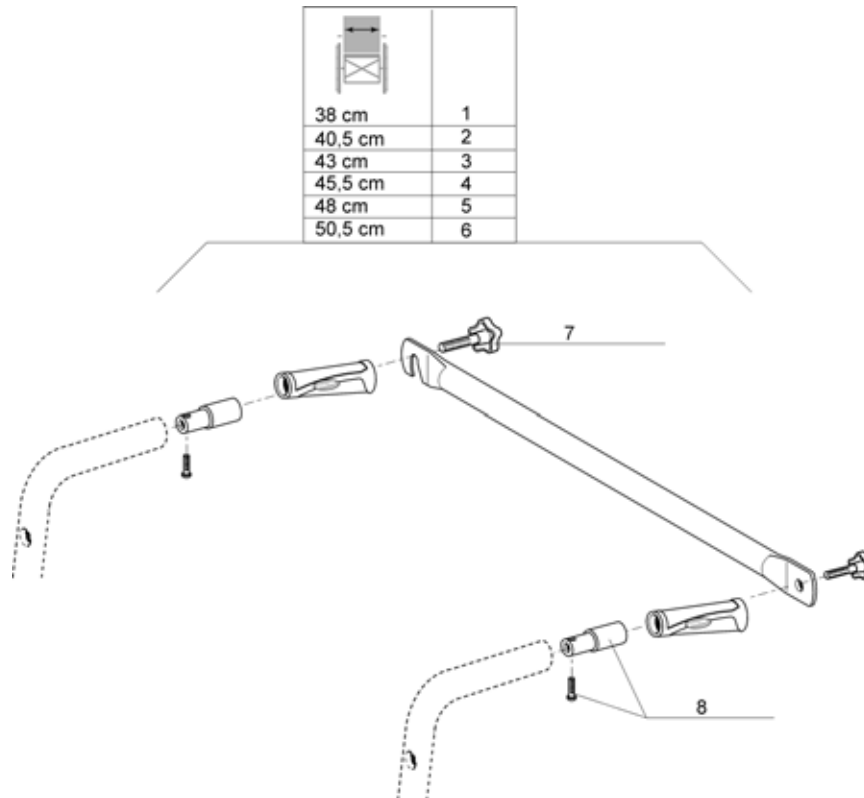


Pos.	Part number	Description	Qty
1	1436032	Complet Lh Trunk Support Comfort Dartex	1
2	1436044	Complet Rh Trunk Support Comfort Dartex	1
3	1440896	Trunk Support Pad Dartex	1
4	1442517	Trunk Support Fixation	1
5	1437642	Trunk Protection Dartex	1



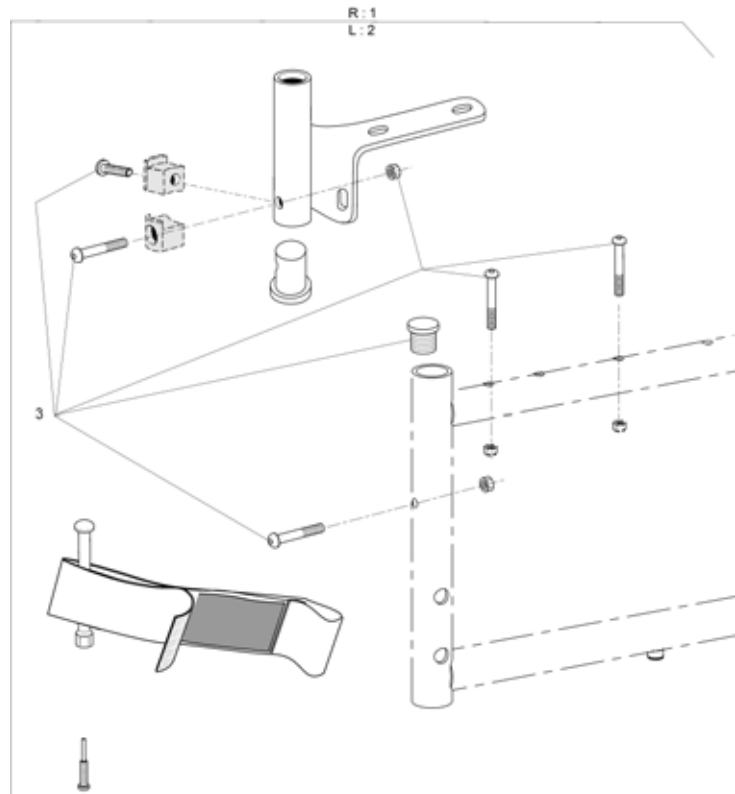
Pos.	Part number	Description	Qty
1	1492315	Adjustable Heel Strap (New Design) (when serial number start by 05)	1
2	1433580	Adjustable Calf Strap	1

Back Brace



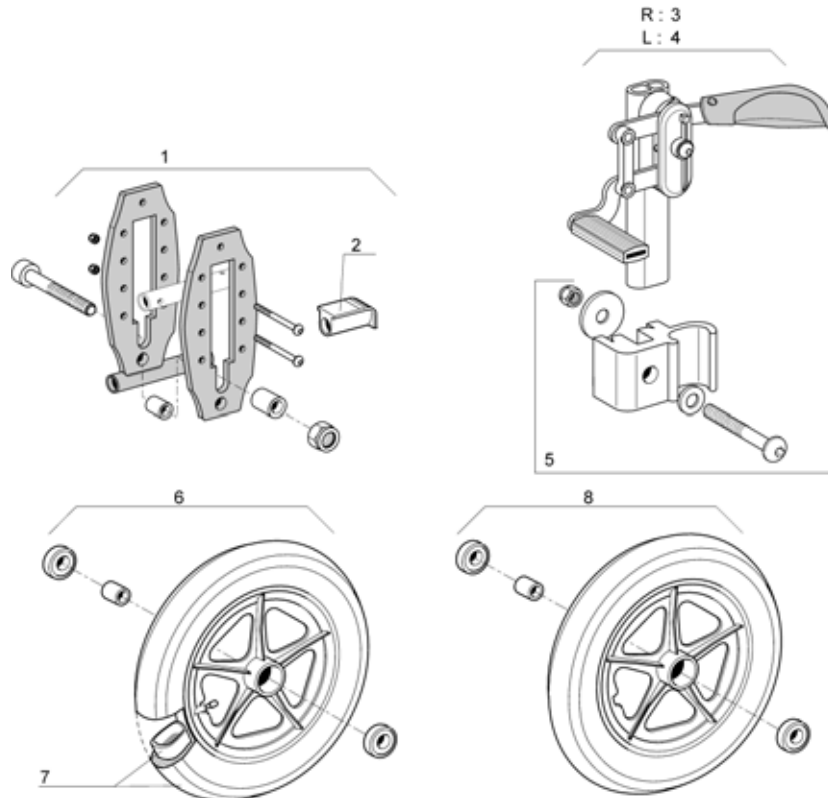
Pos.	Part number	Description	Qty
1	1434099	Back Brace Kit Assy W 38Cm	1
2	1434100	Back Brace Kit Assy W 40,5Cm	1
3	1433707	Back Brace Kit Assy W 43Cm	1
4	1433708	Back Brace Kit Assy W 45,5Cm	1
5	1433716	Back Brace Kit Assy W 48Cm	1
6	1434105	Back Brace Kit Assy W 50,5Cm	1
7	0021-60029	32 mm M6 x 16 Button	1
8	1430412	Back brace insert for fixed backrest tube	1

Hanger Adaptator



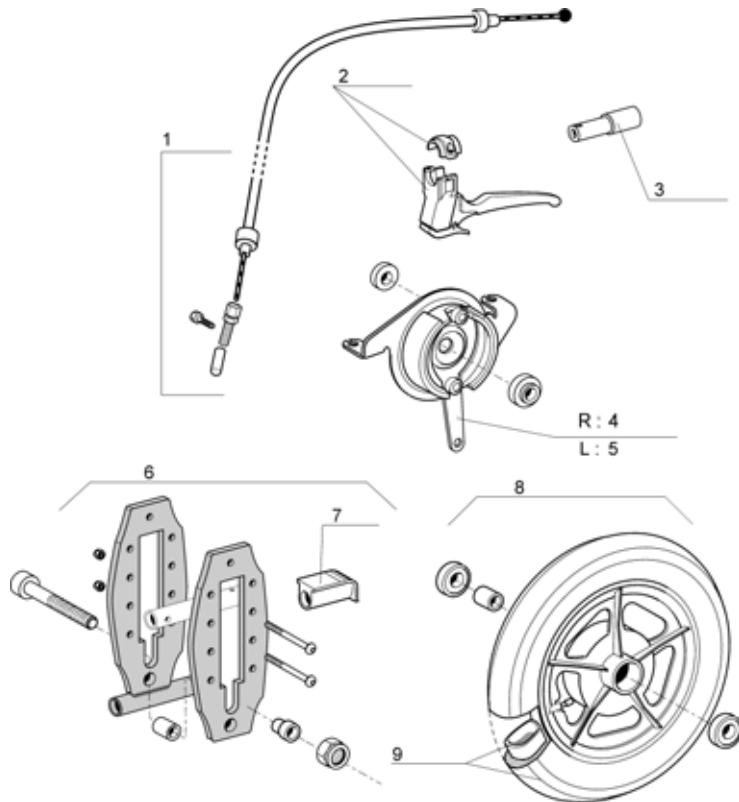
Pos.	Part number	Description	Qty
1	1442992	Rh Hanger Adaptator	1
2	1442993	Lh Hanger Adaptator	1
3	1443022	Mounting Kit Hanger Adaptator	1

Transit Rear Wheel, Push Brake < 12/2007



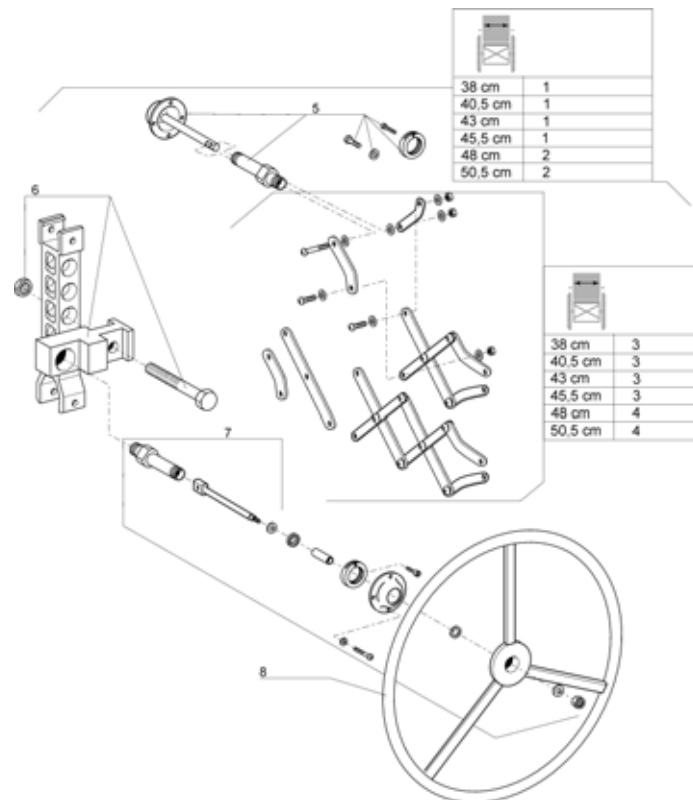
Pos.	Part number	Description	Qty
1	1431280	Standard Transit Rear Axle	1
2	0021-20011	Black Foot Support Cap	1
3	1431992	Rh Transit Push to Lock Brake	1
4	1431991	Lh Transit Push to Lock Brake	1
5	1430853	Transit Brake Support Kit	1
6	6001789	Transit Complete Pneumatic Tyre 12.1/2" wheel	1
7	1431313	12" transit Pneumatic Tyre + Inner tube	1
8	6001790	Transit Complete Solid Tyre 12.1/2" Wheel	1

Transit Rear Wheel, Hub Brake < 12/2007



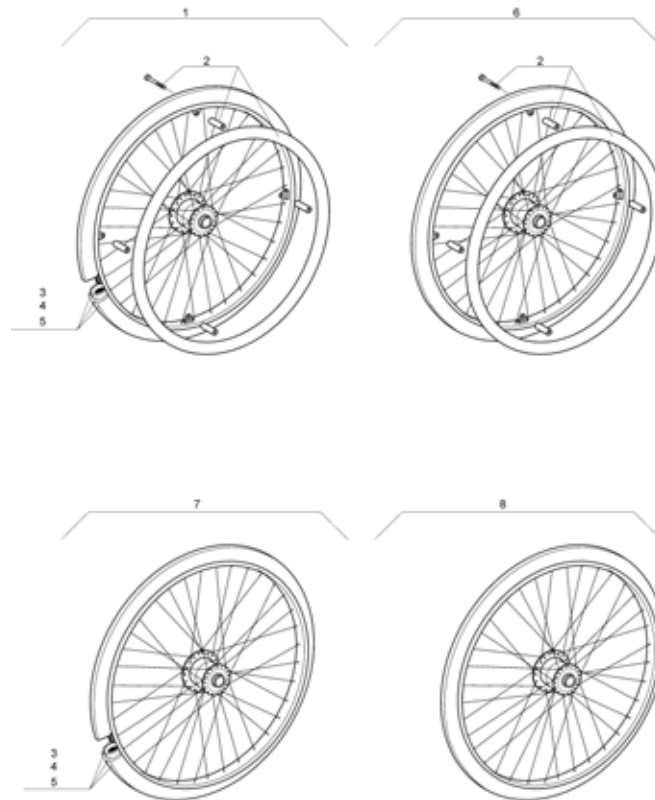
Pos.	Part number	Description	Qty
1	1431285	Attendant Hub Brakes Complete Mechanism (Pair)	1
2	1420527	Black Brake Lever dia 22mm	1
3	1430412	Back brace insert for fixed backrest tube	1
4	1423292	Rh Hub Brake Plate 70mm	1
5	1423293	Lh Hub Brake Plate 70mm	1
6	1431281	Hub Brake Transit Rear Axle	1
7	0021-20011	Black Foot Support Cap	1
8	0572-03002	Complete 70 Hub Brake Composite 12.1/2" Wheel	1
9	1431313	12" transit Pneumatic Tyre + Inner tube	1

Dual Handrim, Fixed Axle



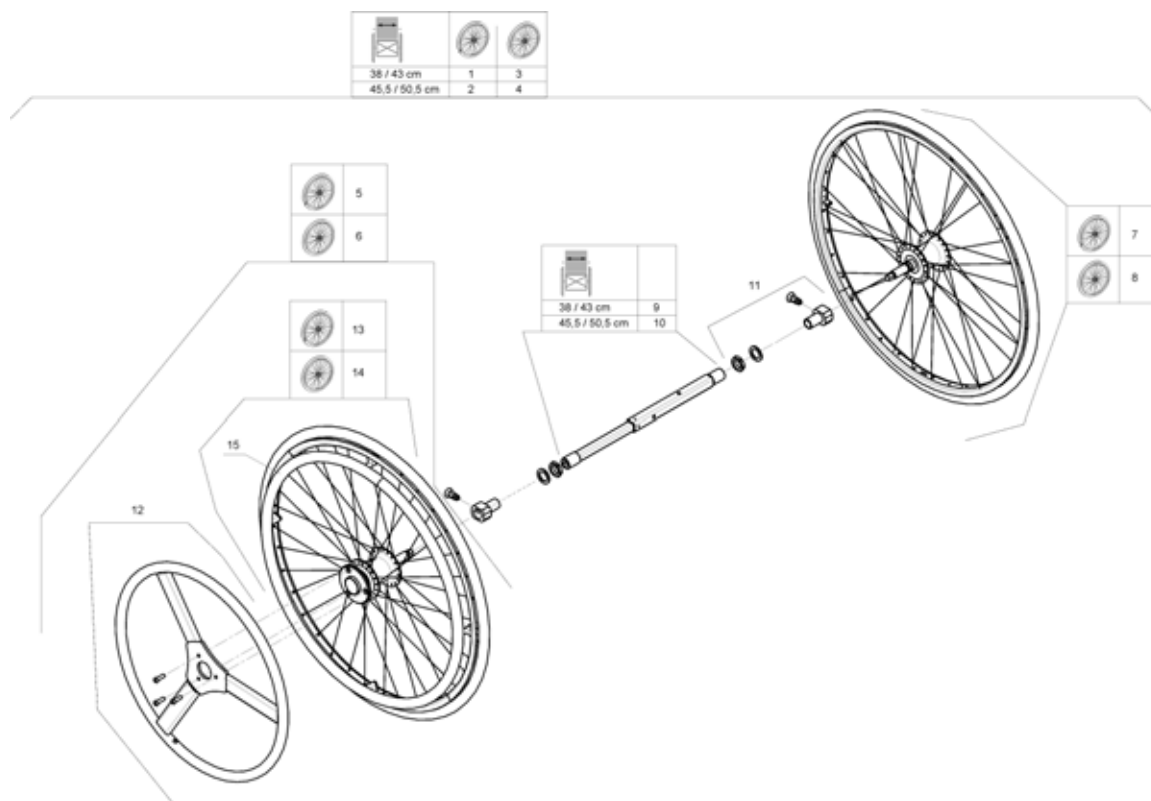
Pos.	Part number	Description	Qty
1	1432528	Dual Handrim Fixed Axle Assy W 38/40,5/43/ 45,5Cm	1
2	1432531	Dual Handrim Fixed Axle Assy W 48/ 50,5Cm	1
3	1432526	Short Pantograph W 38/40,5/43/ 45,5Cm	1
4	1432527	Long Pantograph W 48/ 50,5Cm	1
5	1432621	Dual Handrim Complete Axle Without Handrim Side	1
6	1432619	Dual Handrim Fixed Wheel Support Fixation Kit	1
7	1432620	Dual Handrim Complete Axle Handrim Side	1
8	0410K05234	External hand rim for double control hand rim	1

Dual hand rim, fixed axle wheels



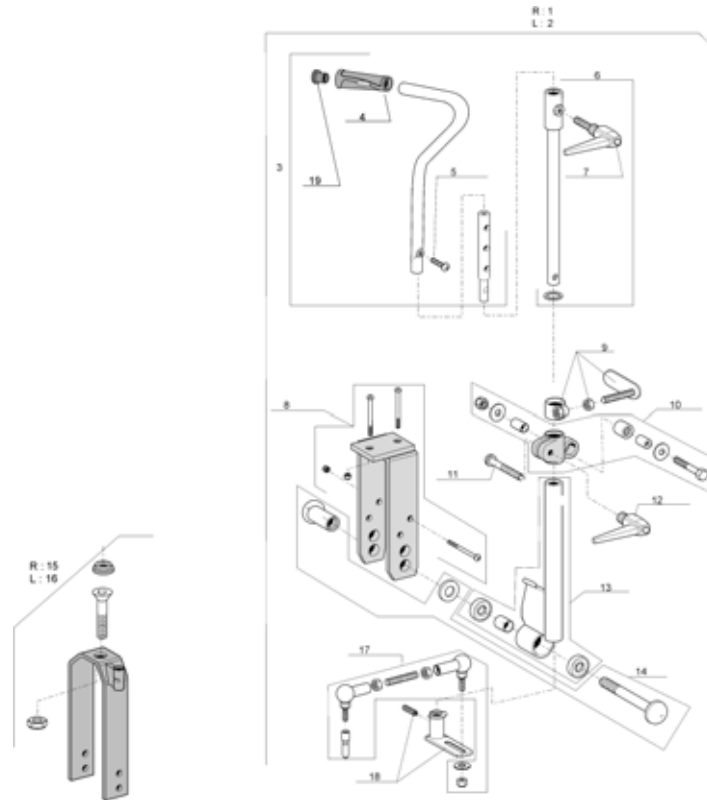
Pos.	Part number	Description	Qty
1	0572-06842	24" hemi hub spoked wheel + pneumatic tyre	1
2	1431316	24" chromed hand rim 4 fixations	1
3	0036-30001	24"x1.3/8" pneumatic tyre	1
4	0036-20001	24"x1.3/8" inner tube	1
5	0036-40003	24" rim tape	1
6	0572-06843	24" hemi hub spoked wheel + solid tyre	1
7	0572-06914	24" hemi hub spoked wheel + pneumatic tyre w/o hand rim	1
8	0572-06915	24" hemi hub spoked wheel + solid tyre w/o hand rim	1

Dual handrim QR axle > 10/2007



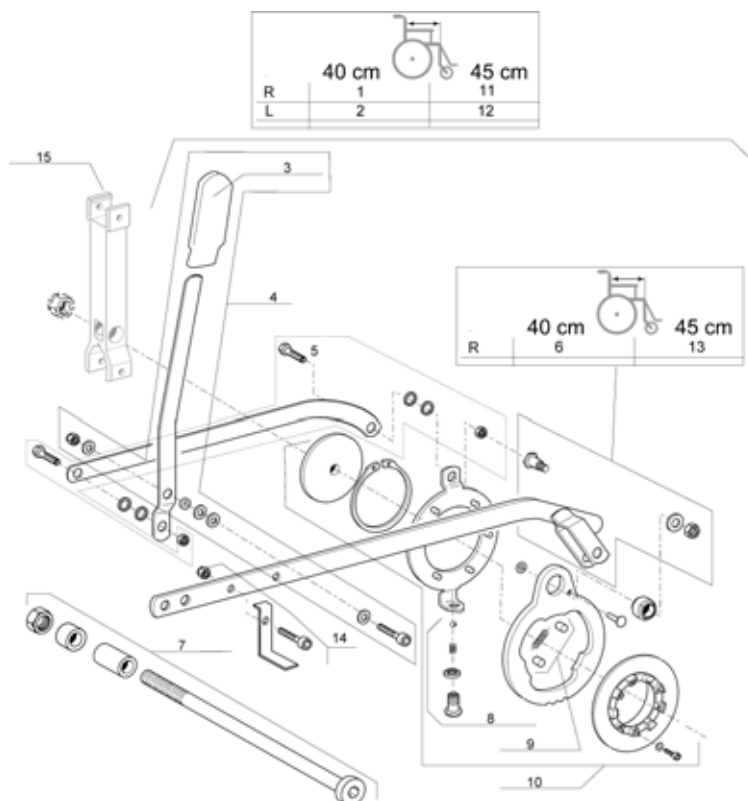
Pos.	Part number	Description	Qty
1	1513269	Dual handrim DHR pneumatic kit assy 38,5/43,5 cm	1
2	1513270	Dual handrim DHR pneumatic kit assy 45,5/50,5 cm	1
3	1513271	Dual handrim DHR solid kit assy 38,5/43,5 cm	1
4	1513272	Dual handrim DHR solid kit assy 45,5/50,5 cm	1
5	1509382	24" DHR active wheel pneumatic	1
6	1509436	24" DHR active wheel solid	1
7	1508491	24" DHR passive wheel pneumatic	1
8	1508490	24" DHR passive wheel solid	1
9	1511769	Telescopic rod DHR 38/43,5 cm	1
10	1508487	Telescopic rod DHR 45,5/50,5 cm	1
11	1513658	DHR wheel axle support complet	1
12	1508484	Small handrim + fixations	1
13	1508485	24" DHR active wheel pneumatic w/o small handrim	1
14	1508486	24" DHR active wheel solid w/o small handrim	1
15	1514223	24" Aluminium handrim + 6 fixations	1

Hand Control For Oad By Lever

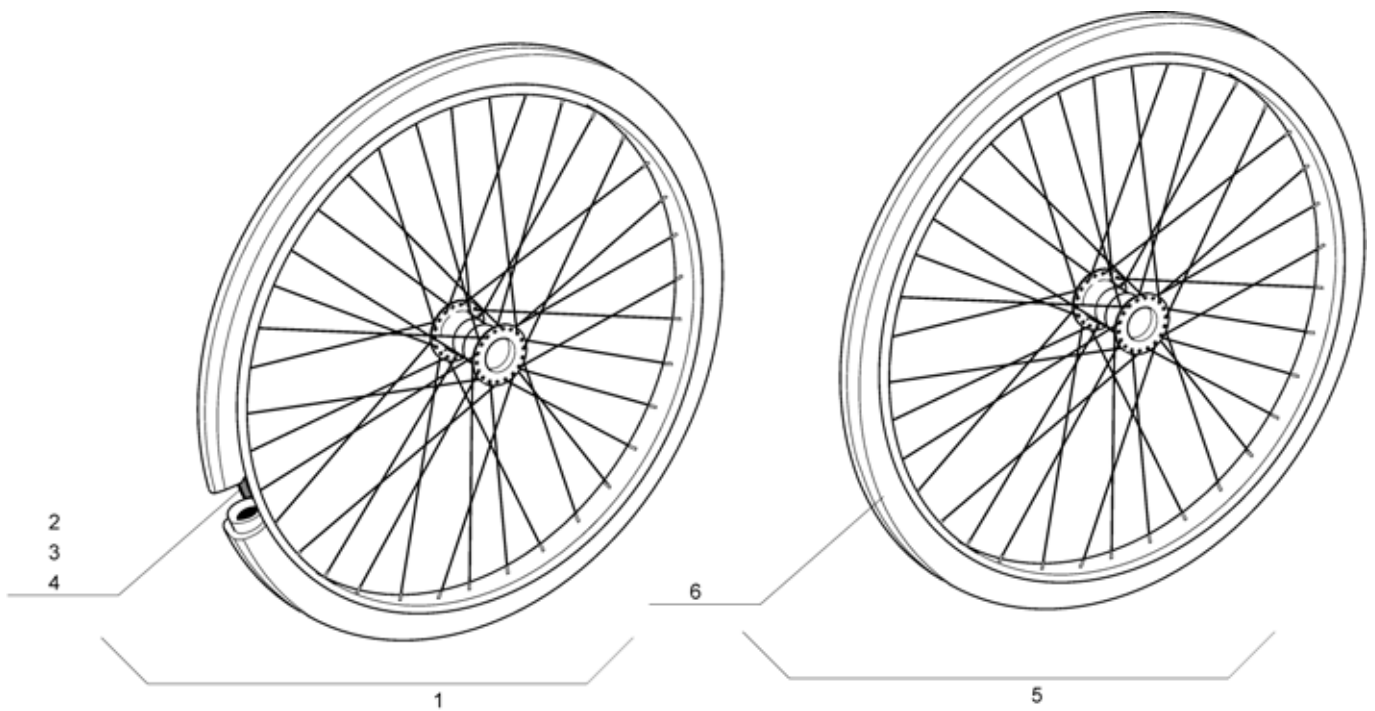


Pos.	Part number	Description	Qty
1	1432935	Oad By Lever Hand Control Rh Completed Kit	1
2	1432936	Oad By Lever Hand Control Lh Completed Kit	1
3	1432624	Oad by lever hand control assy	1
4	1435421	Handle Plastic Black, "Invacare"	1
5	0029-40049	Cbhc screw m8x30; 8.8	1
6	1432625	Oad by lever hand lever shaft	1
7	0021-70002	Indexable lever 63 m8 x 16	1
8	1433003	Equalizer Support + Fixation	1
9	1432627	Oad by lever brake shoe assy	1
10	1432998	Oad by lever adjustable sleeve assy	1
11	0029-40252	Clamp screw m8 x 1 1/4"	1
12	0021-70011	Indexable lever 63 m8	1
13	1432999	Oad By Lever Equalizer	1
14	1433000	Equalizer Completed Axle	1
15	1444995	Oad By Lever Fork And Axle Kit Rh >01/2005	1
16	1444996	Oad By Lever Fork And Axle Kit Lh	1
17	1433001	Oad By Lever Ball Joint Kit	1
18	1433002	Oad by lever steering bush + fixation	1
19	1418112	Crossbrace back cap	1

Oad By Lever

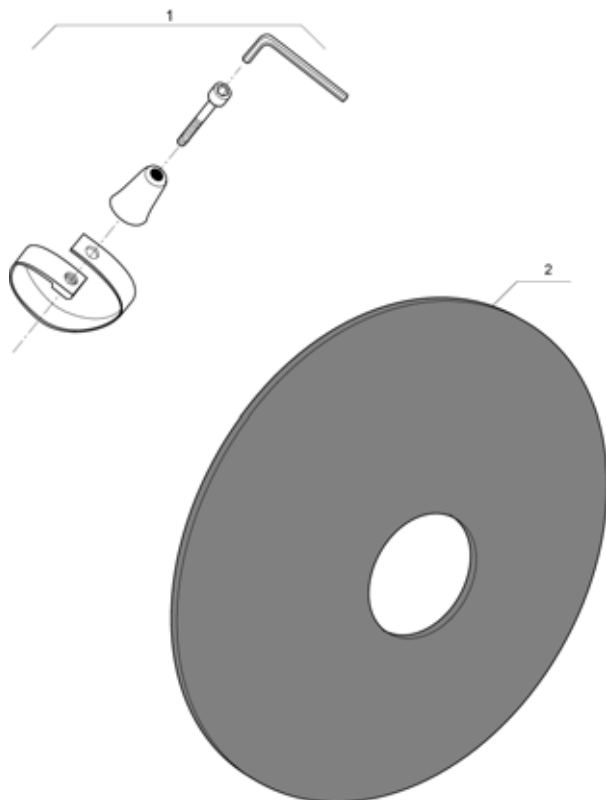


Pos.	Part number	Description	Qty
1	1432932	Oad by lever rh transmission kit depth 40 cm	1
2	1432933	Oad by lever lh transmission kit depth 40 cm	1
3	0240-05576	End cap lever oad by lever	1
4	1432930	Oad by lever reverse link + fixation	1
5	1433010	Inversion link + fixation	1
6	1433006	Transmission link + fixation d 40cm	1
7	1433502	Mb2 oad by lever rear wheel axle kit	1
8	9742-84304	Hollow screw + ball + spring	1
9	9028-40005	Oad by lever spring + cam	1
10	1433009	Driving cam completed	1
11	1435910	Oad By Lever Rh Transmission Kit D45Cm	1
12	1435911	Oad By Lever Lh Transmission Kit D 45Cm	1
13	1435912	Transmission Link + Fixation D 45Cm	1
14	1442034	Oad By Lever Brake Kit D 45 Cm	1
15	1431283	Rear wheel support for fixed axle	1



Pos.	Part number	Description	Qty
1	1509380	24" x 1 3/8" oad spoked wheel + pneumatic tyre	1
2	0036-30001	24"x1.3/8" pneumatic tyre	1
3	0036-20001	24"x1.3/8" inner tube	1
4	0036-40003	24" rim tape	1
5	1509381	24" x 1 3/8" oad spoked wheel + solid tyre	1
6	0036-10013	24"x1.3/8" solid tyre	1

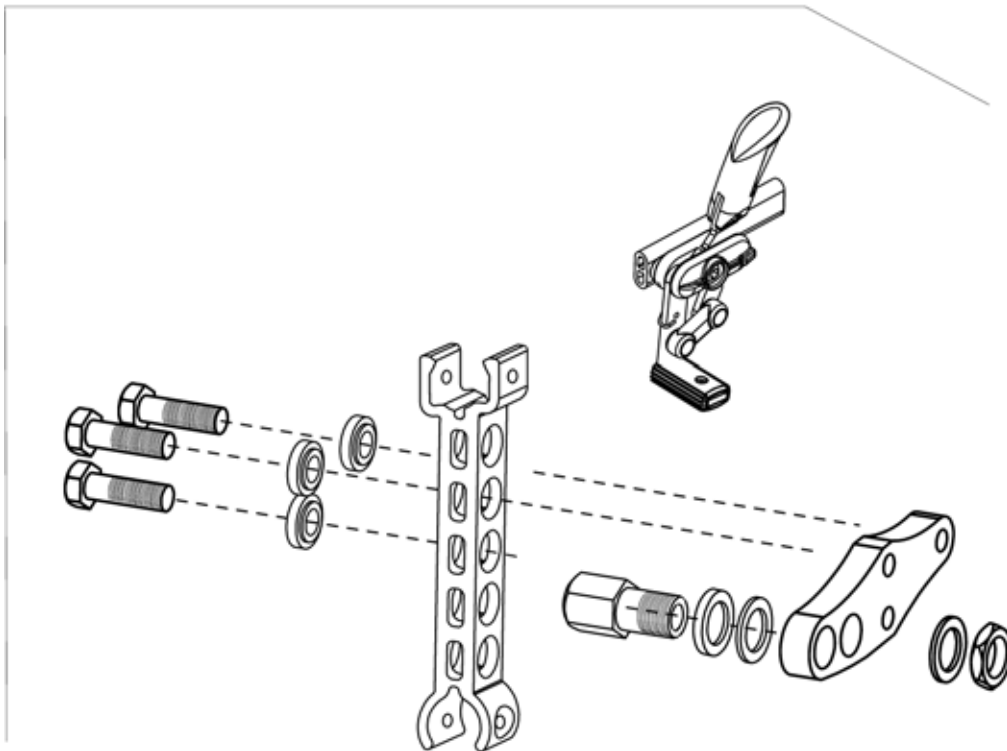
Spigot Kit, Spoke Guards (pair)



Pos.	Part number	Description	Qty
1	0698-40000	Spigot kit	1
2	0789-04400	Spoke guards 24"	1

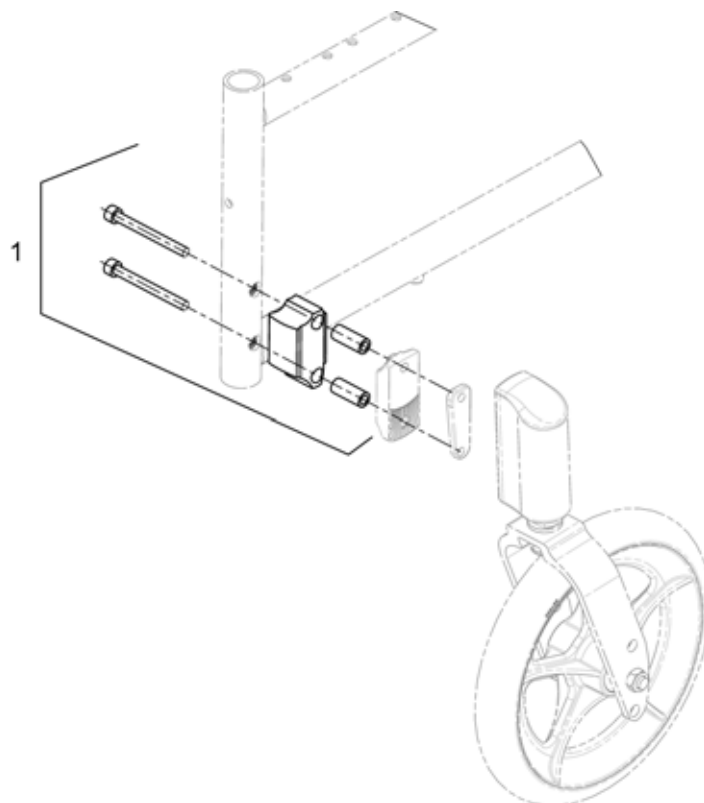
Dual Amputee Position

1



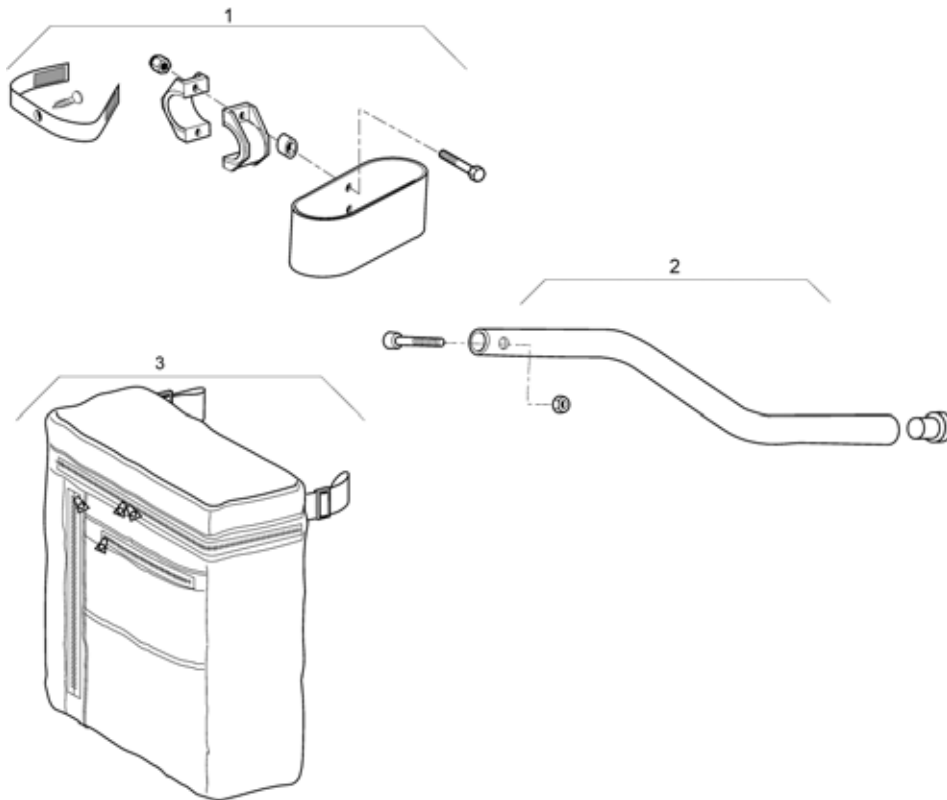
Pos.	Part number	Description	Qty
1	AP1468002	Dual Amputee Position Kit	1

Front wheel extension kit



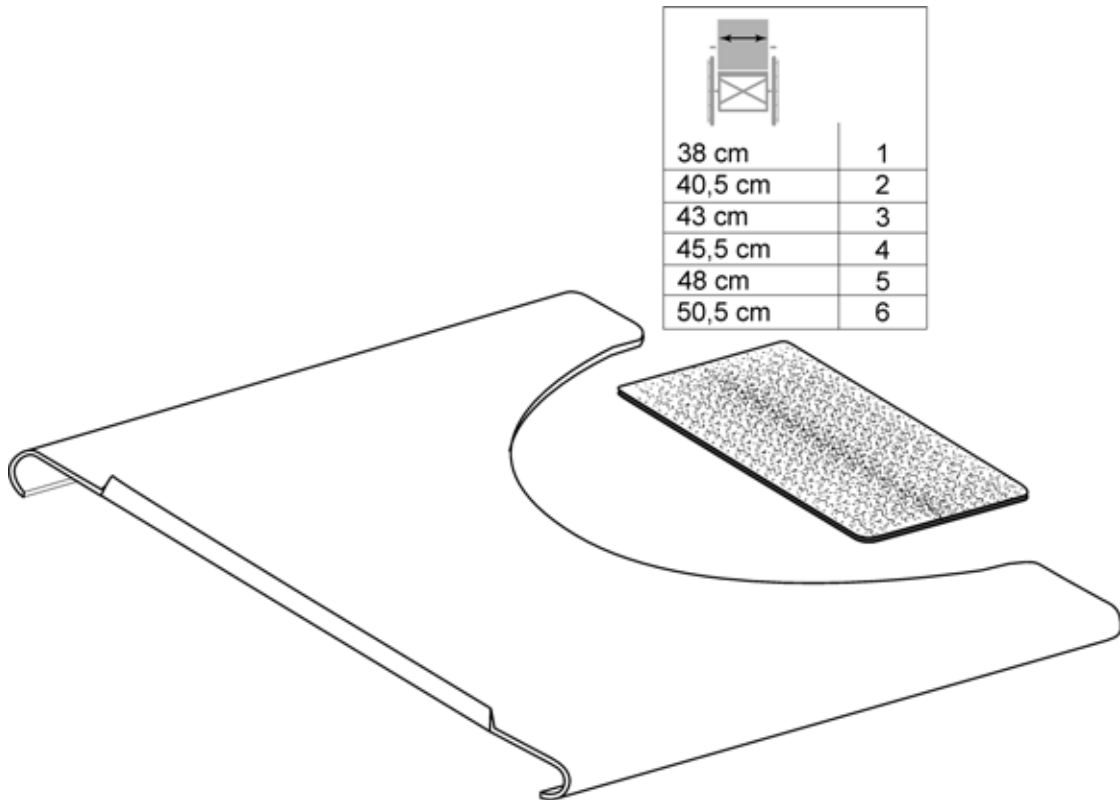
Pos.	Part number	Description	Qty
1	1497767	Front wheel extension kit	1

Cane Holder - Tipping Tube - Back Bag



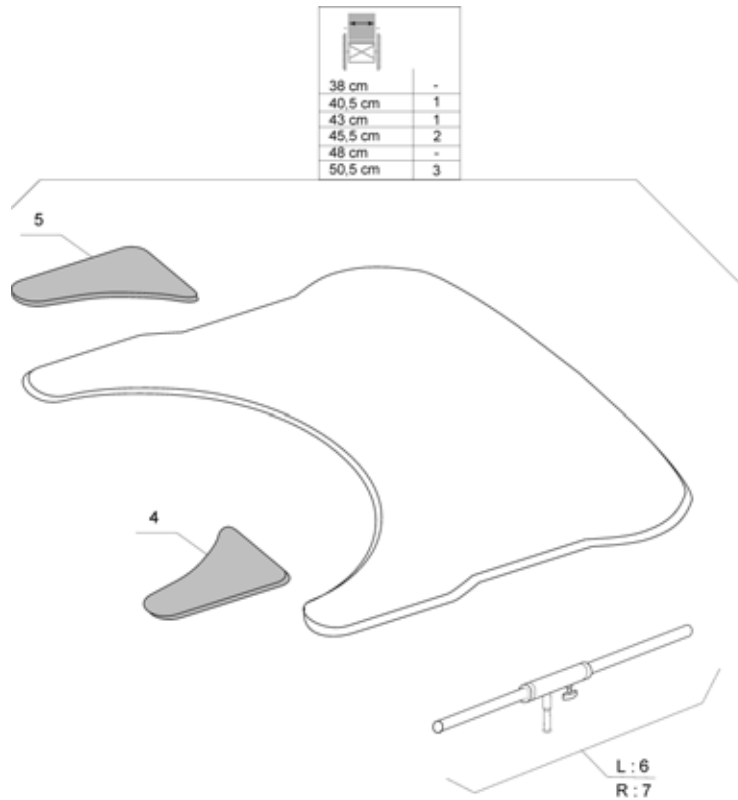
Pos.	Part number	Description	Qty
1	0572-02056	Cane Holder	1
2	0572-05143	Tipping Tube	1
3	0572-04272	Back Bag	1

Transparent Tray



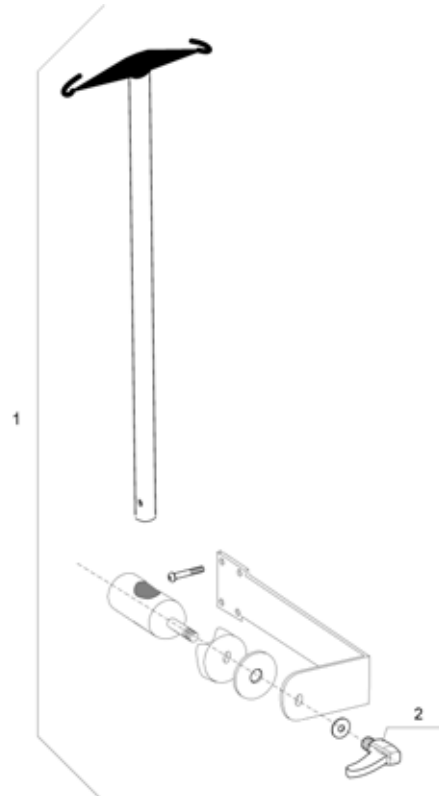
Pos.	Part number	Description	Qty
1	1450921	Transparent Tray W 38Cm	1
2	1450922	Transparent Tray W 40,5Cm	1
3	1450923	Transparent Tray W 43Cm	1
4	1450924	Transparent Tray W 45,5Cm	1
5	1450925	Transparent Tray W 48Cm	1
6	1450926	Transparent Tray W 50,5Cm	1

Comfort Tray



Pos.	Part number	Description	Qty
1	5206727	TABLE TRAY S, CPL + MOUNTING KIT	1
2	5206726	TABLE TRAY M, CPL + MOUNTING KIT	1
3	5206725	TABLE TRAY L, CPL + MOUNTING KIT	1
4	5221346	Rh Elbowpad Table	1
5	5221354	Lh Elbowpad Table	1
6	5206648	GUIDE TUBE CPL, LEFT	1
7	5206649	GUIDE TUBE CPL, RIGHT	1

Dripstand



Pos.	Part number	Description	Qty
1	1440897	Dripstand + Fixation	1
2	0021-70011	Indexable lever 63 m8	1



Yes, you can.®



Belgium & Luxemburg:

Invacare nv, Autobaan 22, B-8210 Loppem
Tel: (32) (0)50 83 10 10, Fax: (32) (0)50 83 10 11
belgium@invacare.com

Danmark:

Invacare A/S, Sdr. Ringvej 37, DK-2605 Brøndby
Tel: (45) (0)36 90 00 00, Fax: (45) (0)36 90 00 01
denmark@invacare.com

Deutschland:

Invacare Aquatec GmbH, Alemannenstraße 10, D-88316 Isny
Tel: (49) (0)75 62 7 00 0, Fax: (49) (0)75 62 7 00 66
info@invacare-aquatec.com

European Distributor Organisation:

Invacare, Kleiststraße 49, D-32457 Porta Westfalica
Tel: (49) (0)57 31 754 540, Fax: (49) (0)57 31 754 541
edo@invacare.com

España:

Invacare SA, c/Areny s/n, Polígon Industrial de Celrà, E-17460 Celrà (Girona)
Tel: (34) (0)972 49 32 00, Fax: (34) (0)972 49 32 20
contactsp@invacare.com

France:

Invacare Poirier SAS, Route de St Roch, F-37230 Fondettes
Tel: (33) (0)2 47 62 64 66, Fax: (33) (0)2 47 42 12 24
contactfr@invacare.com

Ireland:

Invacare Ireland Ltd, Unit 5 Seatown Business Campus, Seatown Road, Swords, County Dublin - Ireland
Tel: (353) 1 810 7084, Fax: (353) 1 810 7085
ireland@invacare.com

Italia:

Invacare Mecc San s.r.l., Via dei Pini 62, I-36016 Thiene (VI)
Tel: (39) 0445 38 00 59, Fax: (39) 0445 38 00 34
italia@invacare.com

Nederland:

Invacare BV, Celsiusstraat 46, NL-6716 BZ Ede
Tel: (31) (0)318 695 757, Fax: (31) (0)318 695 758
nederland@invacare.com, csede@invacare.com

Norge:

Invacare AS, Grensesvingen 9, Postboks 6230, Etterstad, N-0603 Oslo
Tel: (47) (0)22 57 95 00, Fax: (47) (0)22 57 95 01
norway@invacare.com, island@invacare.com

Österreich:

Mobitec Mobilitätshilfen GmbH, Herzog Odilostrasse 101, A-5310 Mondsee
Tel: (43) 6232 5535 0, Fax: (43) 6232 5535 4
office@mobitec-austria.com, austria@invacare.com

Portugal:

Invacare Lda, Rua Senhora de Campanhã 105, P-4369-001 Porto
Tel: (351) (0)225 1059 46147, Fax: (351) (0)225 1057 39
portugal@invacare.com

Sverige & Suomi:

Invacare AB, Fagerstagatan 9, S-163 91 Spånga
Tel: (46) (0)8 761 70 90, Fax: (46) (0)8 761 81 08
sweden@invacare.com, finland@invacare.com

Switzerland:

Mobitec Rehab AG, Benkenstrasse 260, CH-4108 Wittenswil
Tel: (41) (0)61 487 70 80, Fax: (41) (0)61 487 70 81
office@mobitec-rehab.ch, switzerland@invacare.com

United Kingdom:

Invacare Ltd, South Road, Bridgend Industrial Estate, UK-Bridgend CF31 3PY
Tel: (44) (0)1656 664 321, Fax: (44) (0)1656 667 532
UK@invacare.com