

Spare Parts Catalogue

Version: 2009/03/19a EN



Invacare[®] **SPECTRA BLITZ**



Yes, you can.®

General Information

For any order of spare parts the following information is required:

- Product type*
- Product name & model*
- Serial Number*
- Part-Number*
- Part-Description*

Exploded view drawings and code numbers are not contractual and subject to modification, in relation to Invacare® continuous product improvement policy to meet end users needs.

The reproduction or use of this work, or of any substantial part of this work, in any form or by any electronic, mechanical or other means, including photocopying, scanning and recording, and in any information storage and retrieval system, including electronic transmission, is forbidden without the prior written permission of Invacare® International Sarl.



Yes, you can.[®]

TABLE OF CONTENTS

Information

User Guides	5
-------------------	---

Chassis

Main Frame	6
Battery Tray	7
Suspension & Anti Tipper	8
Front/Rear Covers	9

Seat

Seat Board and Back Board Assemblies	10
Electr. Seat Tilt Adjustment	11
Manual Seat Tilt Adjustment Assembly	12
Seat Base and Side Frame Assemblies	13

Backrest

Back Post Assemblies	14
Tension Adjustable Back	15
Back Support Assemblies	16
Push Handle Assembly	17

Legrests

Legrest Hanger Assemblies	18
Legrest Assemblies	19

Siderests

Armrest Assemblies	20
--------------------------	----

Front Wheels

Front Castor Wheels	21
---------------------------	----

Rear Wheels

Rear Wheels	22
-------------------	----

Propulsion

Motor Gear Box	23
----------------------	----

Brakes

Manual Brakes	24
---------------------	----

Control Units

Pilot Plus Control	25
Holder Pilot+, swing away, high end	26
VSI Control Systems	27
VR2 Control	28
Shark Control Systems	29



Yes, you can.®

TABLE OF CONTENTS

ACS Control Systems	30
G90 & Holder	31
G91 & Holder	32
Remote Fixation Swing Away For User	33
Attendant Control Mounting Hardware	34

Cables & Charger

Battery Charger	35
Batteries and Cables	36

Seating Options

Seat Cushions and Lap Belt	37
Lateral Support Assemblies	38
Headrest Assemblies	39

Others Options & Accessories

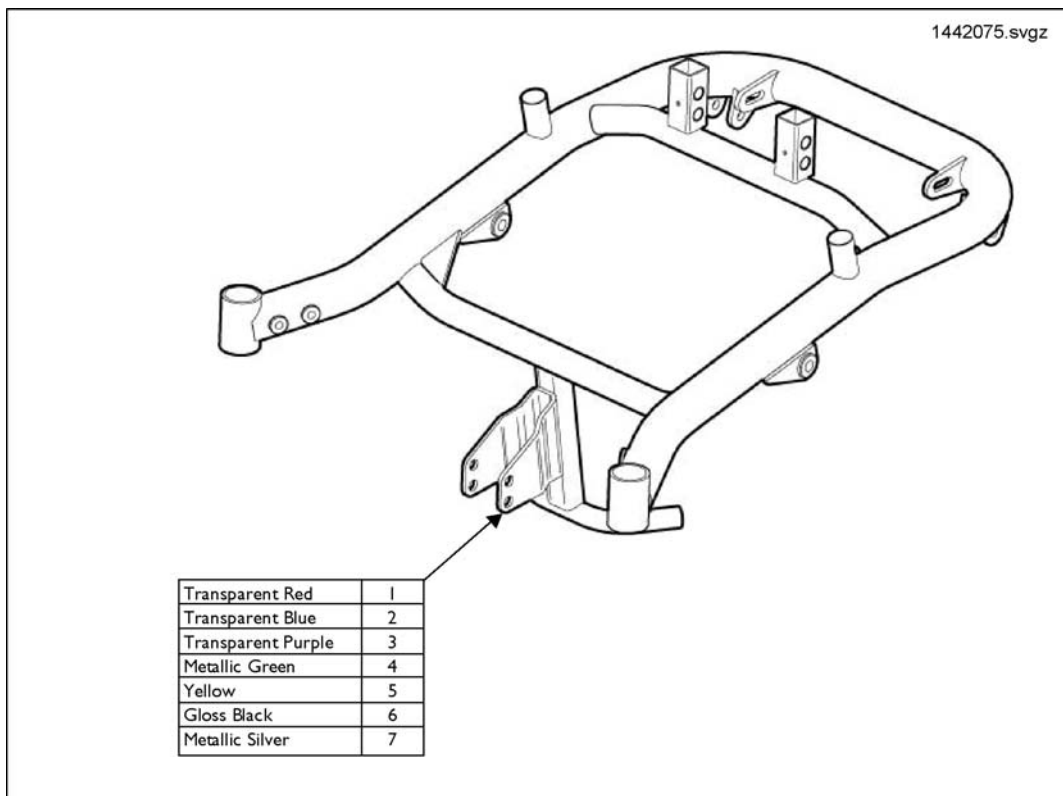
Tray Tables	40
Transportation Options	41

User Guides

CS	ČESKY	FR	FRANÇAIS	PL	POLSKI
DA	DANSK	HR	HRVATSKI	PT	PORTUGUÊS
DE	DEUTSCH	HU	MAGYAR	SK	SLOVENČINA
EN	ENGLISH	IT	ITALIANO	SL	SLOVENŠČINA
ES	ESPAÑOL	LT	LIETUVIŲ KALBA	SV	SVENSKA
ET	EESTI KEEL	NL	NEDERLANDS	RO	ROMÂNĂ
FI	SUOMEN KIELI	NO	NORSK	JA	日本語

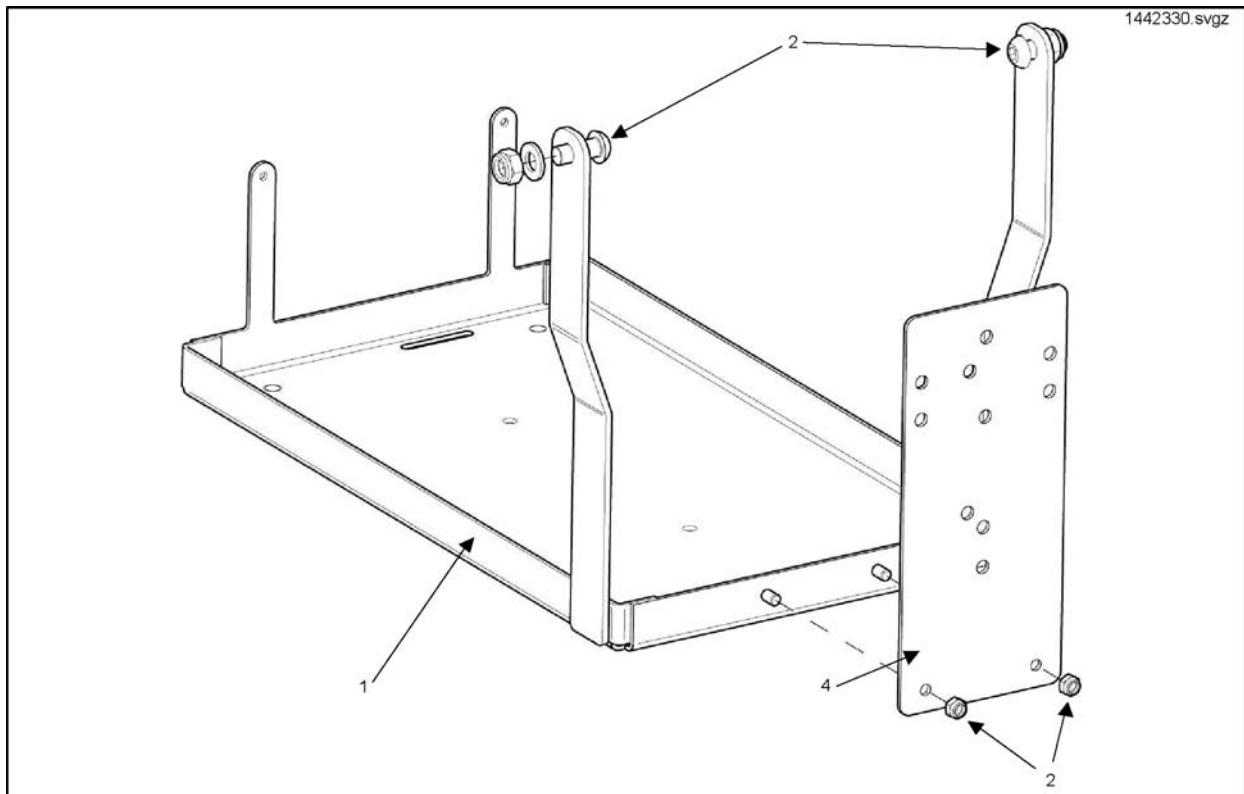
Pos.	Part number	Description	Valid from → until	Qty
EN	1484781	User Guide - English Language - En		1
FR	1468041	Spectra Junior UserGuide France		1

Main Frame



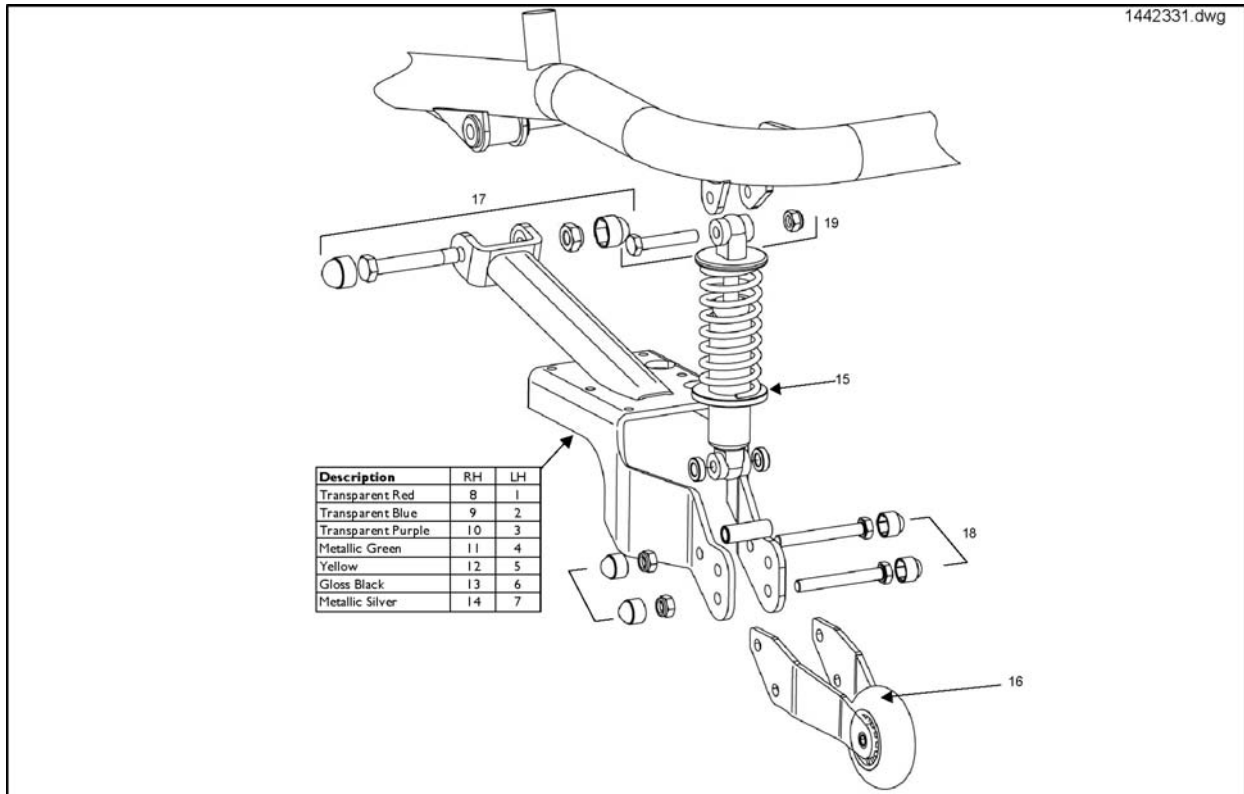
Pos.	Part number	Description	Valid from → until	Qty
1	1442075-0200	Main Frame Transparent Red		1
2	1442075-0201	Main Frame Transparent Blue		1
3	1442075-0202	Main Frame Transparent Purple		1
4	1442075-0203	Main Frame Metallic Green		1
5	1442075-0204	Main Frame Yellow		1
6	1442075-0219	Main Frame Gloss Black		1
7	1442075-0221	Main Frame Metallic Silver		1
8	1442075-0229	Main Frame Assy Blitzpink		1

Battery Tray



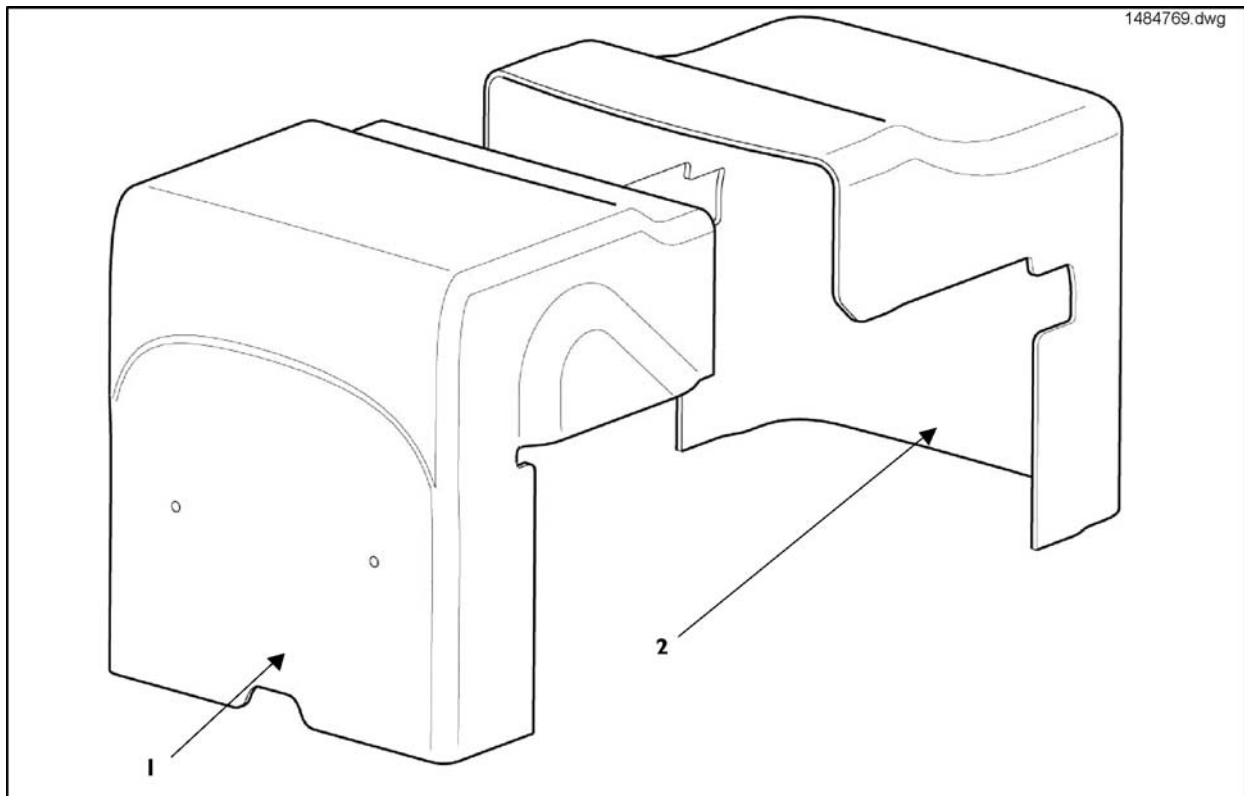
Pos.	Part number	Description	Valid from → until	Qty
1	1442330-0216	Battery Tray		1
2	1450891	Battery Tray Fastener Kit		1
3	B284019	Belt		1
4	60000264-0205	Alm Rec Box Brkt Texblk		1

Suspension & Anti Tipper



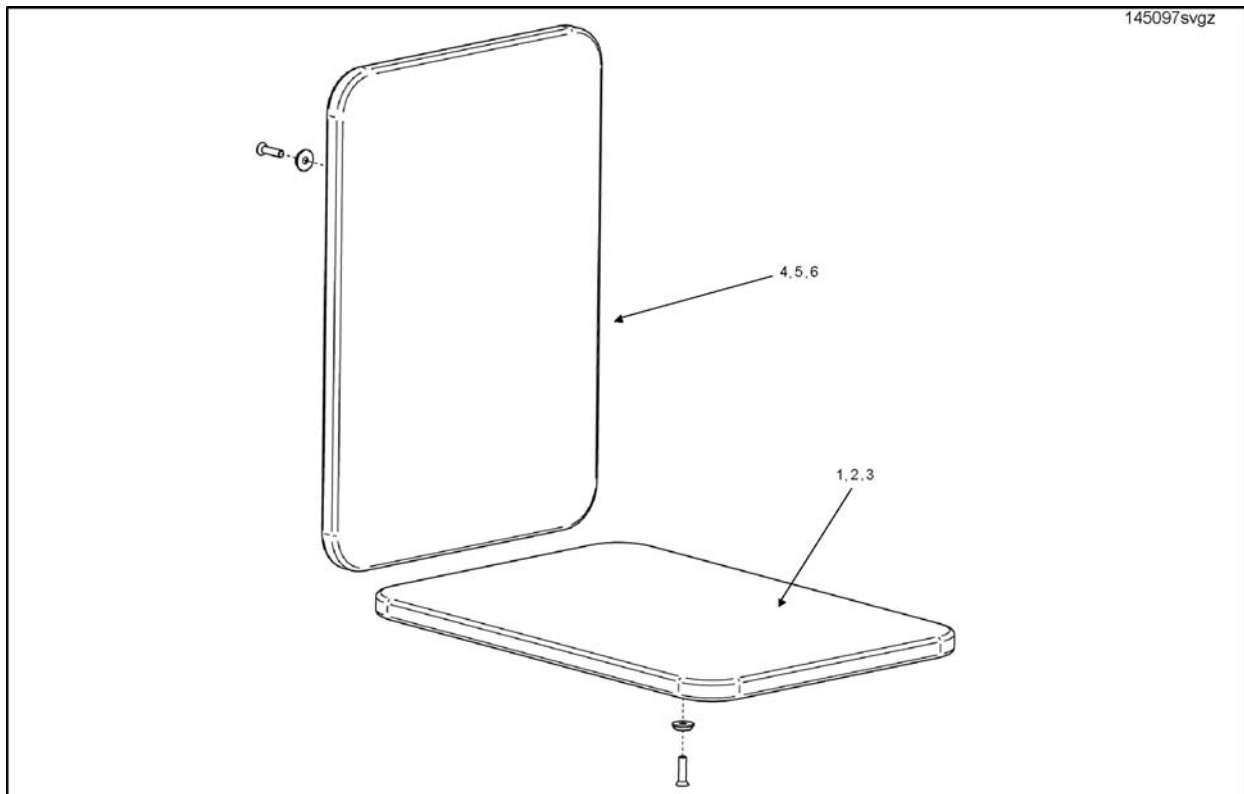
Pos.	Part number	Description	Valid from → until	Qty
1	1442331-0200	Left Swing Arm Transparent Red		1
2	1442331-0201	Left Swing Arm Transparent Blue		1
3	1442331-0202	Left Swing Arm Transparent Purple		1
4	1442331-0203	Left Swing Arm Metallic Green		1
5	1442331-0204	Left Swing Arm Yellow		1
6	1442331-0219	Left Swing Arm Gloss Black		1
7	1442331-0221	Left Swing Arm Metallic Silver		1
8	1442332-0200	Right Swing Arm Transparent Red		1
9	1442332-0201	Right Swing Arm Transparent Blue		1
10	1442332-0202	Right Swing Arm Transparent Purple		1
11	1442332-0203	Right Swing Arm Metallic Green		1
12	1442332-0204	Right Swing Arm Yellow		1
13	1442332-0219	Right Swing Arm Gloss Black		1
14	1442332-0221	Right Swing Arm Metallic Silver		1
15	1484318	Damper Assembly (Used Left and Right)		1
16	1451444	Anti Tipper Assy (Used Left and Right)		1
17	1478447	Swing Arm Pivot Fastener Kit		1
18	1451466	Swing Arm Rear Fastener Kit		1
19	1450892	Damper-Frame Fastener Kit		1
20	1442331-0229	Left Swingarm Pink		1
21	1442332-0229	Right Swingarm Pink		1

Front/Rear Covers

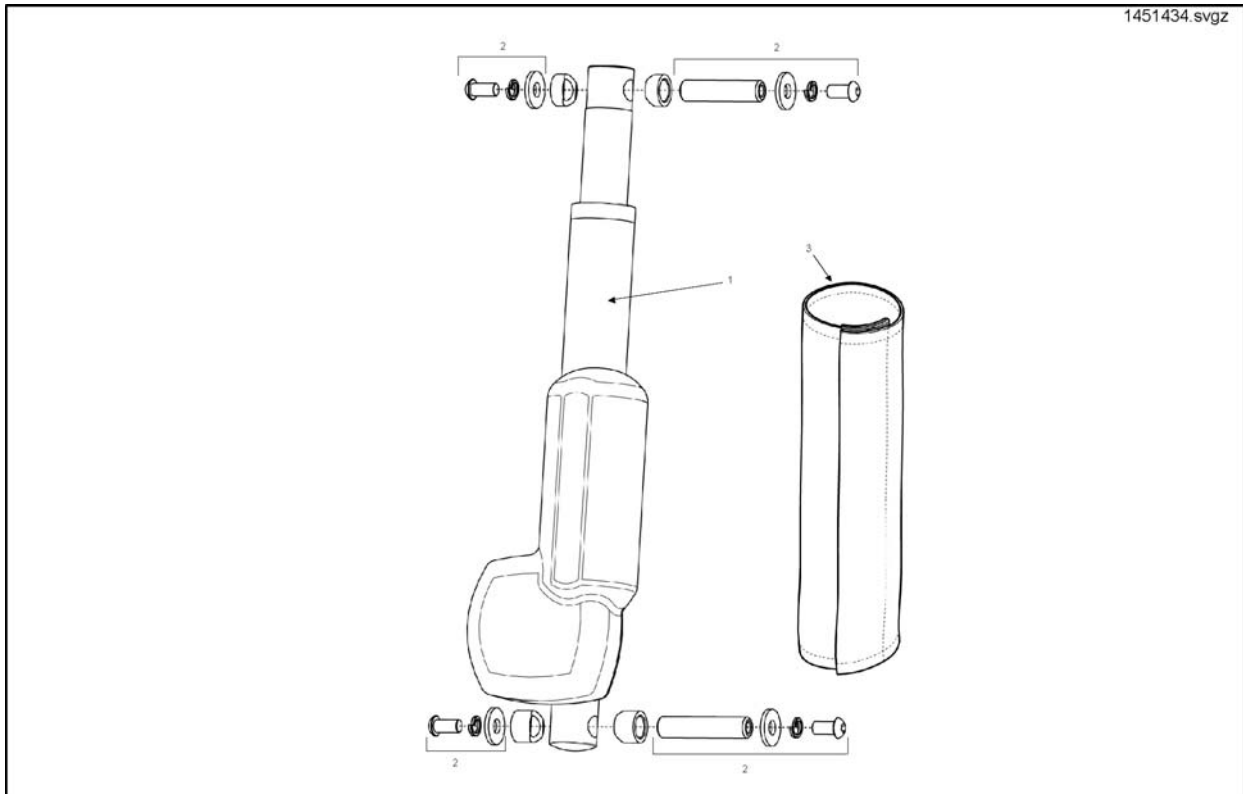


Pos.	Part number	Description	Valid from → until	Qty
1	1484769	Front Cover & Fixing Kit		1
2	1478448	Rear Cover		1

Seat Board and Back Board Assemblies

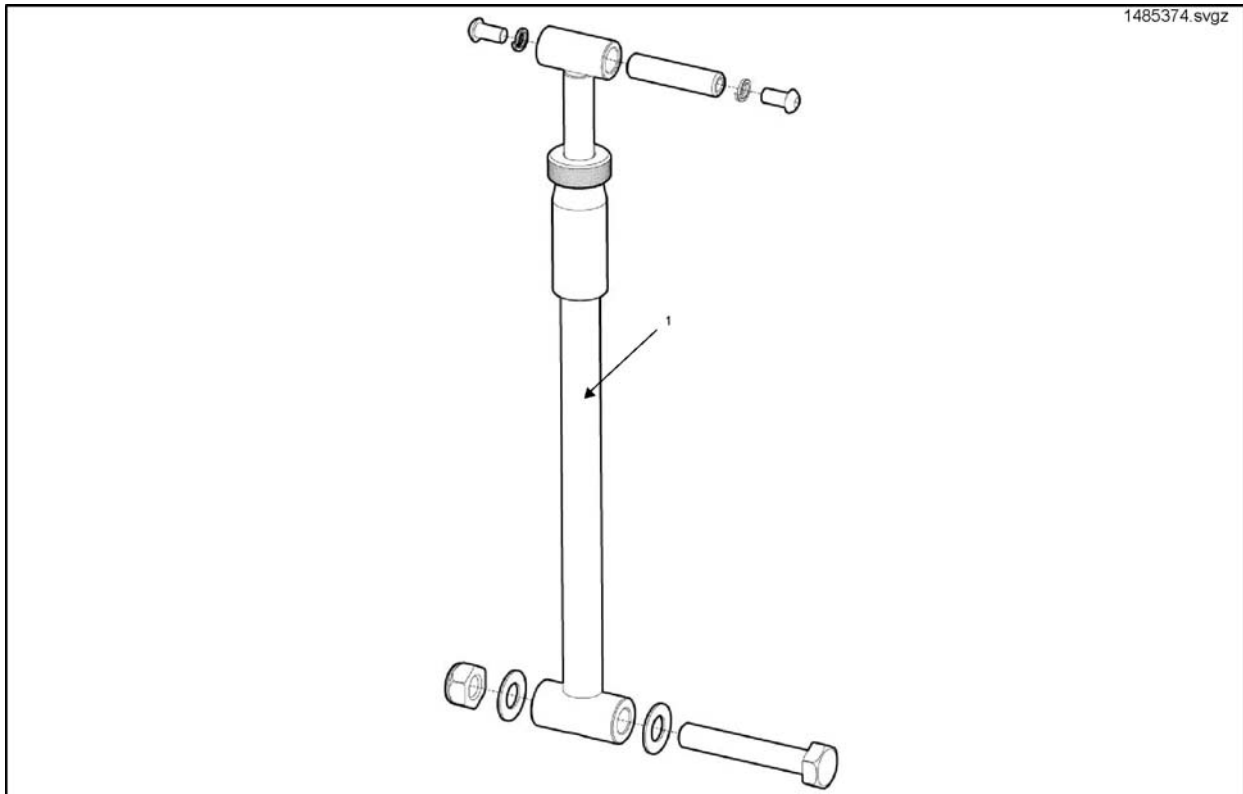


Pos.	Part number	Description	Valid from → until	Qty
1	1450974	25cm Seat Board Assembly		1
2	1450989	30cm Seat Board Assembly		1
3	1450990	35cm Seat Board Assembly		1
4	1450975	25cm Backboard Assembly		1
5	1450999	30cm Backboard Assembly		1
6	1451000	35cm Backboard Assembly		1



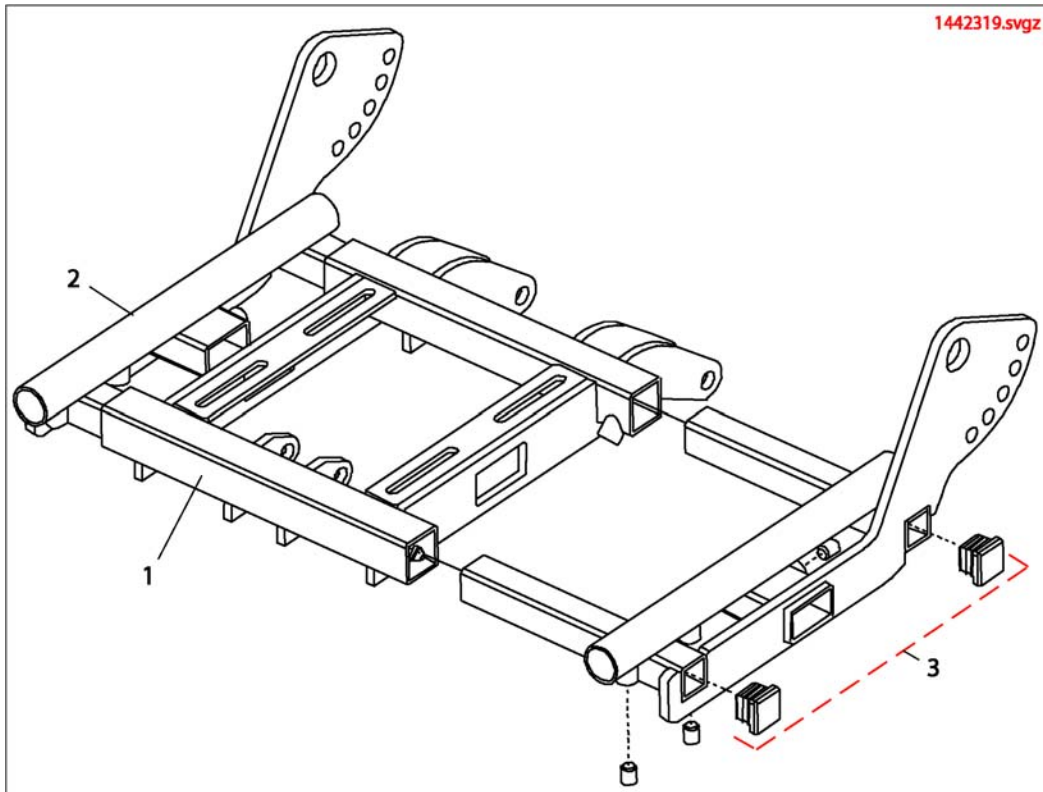
Pos.	Part number	Description	Valid from → until	Qty
1	1451434	Actuator Assembly Kit, cpl		1
2	1451443	Actuator Bearing Kit		1
3	1442357	Cover Rec B/Rest Ratchet		1

Manual Seat Tilt Adjustment Assembly



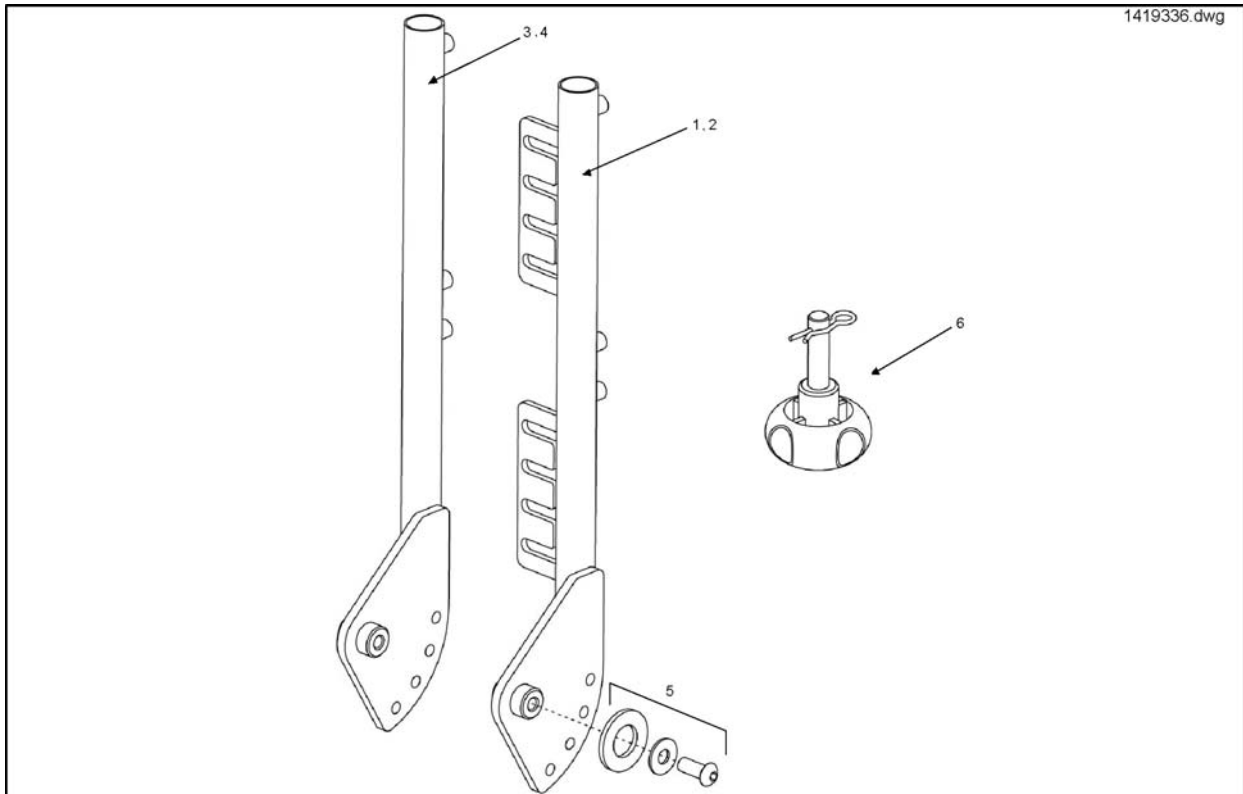
Pos.	Part number	Description	Valid from → until	Qty
1	1485374	Manual Seat Tilt Adjustment Assembly		1

Seat Base and Side Frame Assemblies

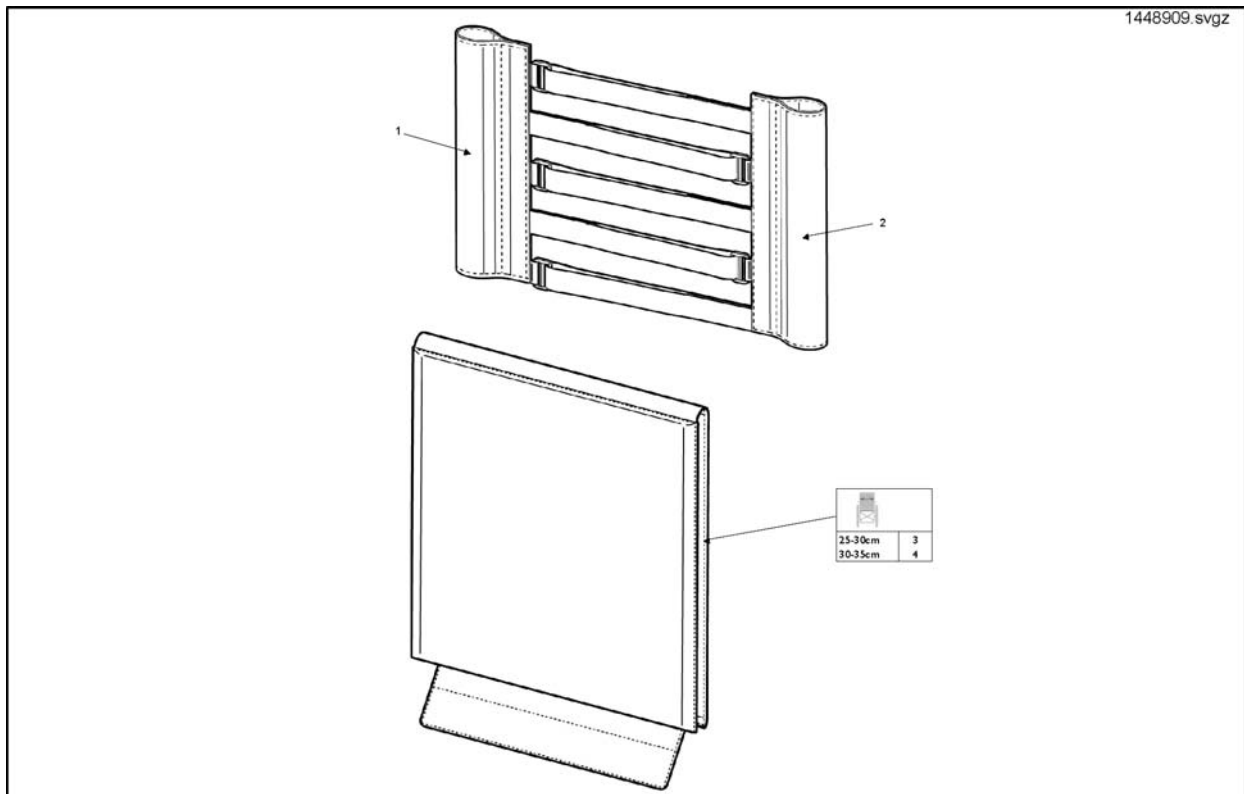


Pos.	Part number	Description	Valid from → until	Qty
1	1442319-0216	Seat Frame Assembly		1
2	1450968	RH Side Frame Assembly, cpl		1
3	1450969	LH Side Frame Assembly, cpl		1

Back Post Assemblies

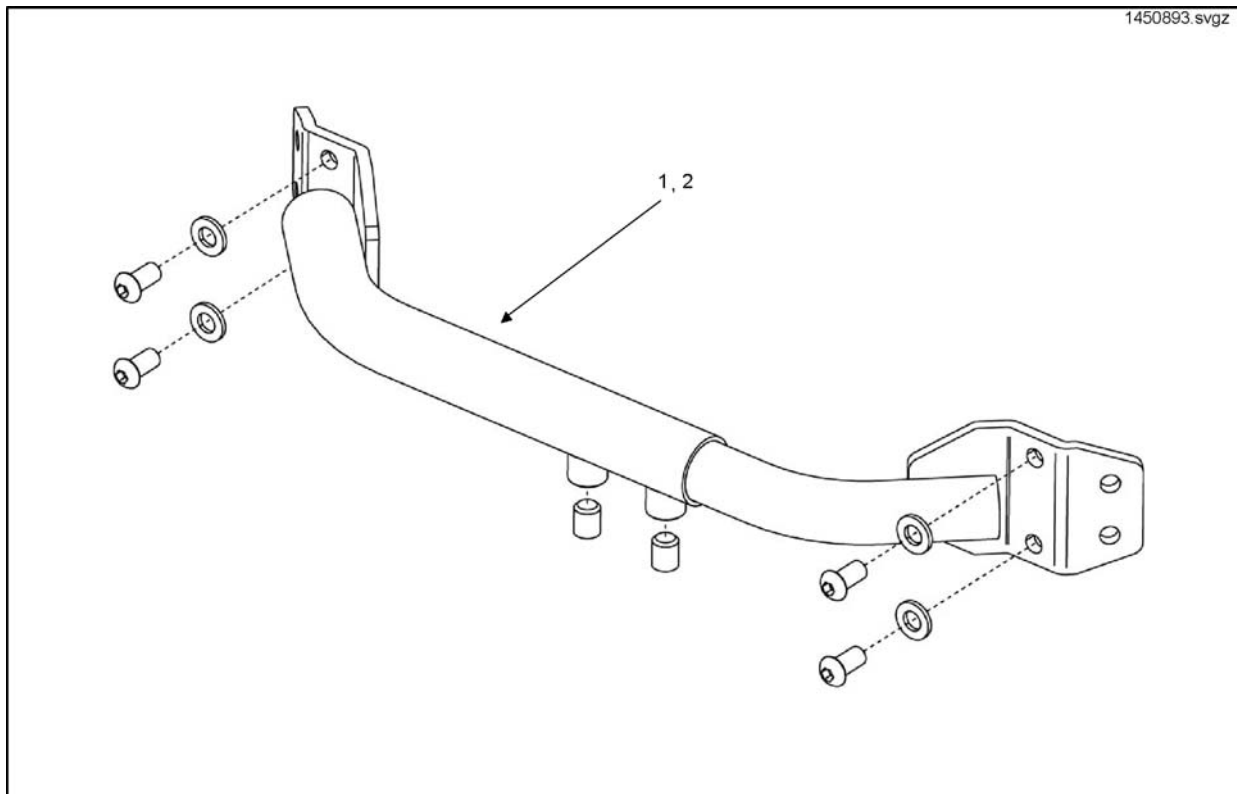


Pos.	Part number	Description	Valid from → until	Qty
1	1442321-0216	RH Back Post Assy		1
2	1442322-0216	LH Back Post Assy		1
3	1450006-0216	RH Flangeless Back Post Assy		1
4	1450007-0216	LH Flangeless Back Post Assy		1
5	1451649	Back Post Fastener Kit		1
6	1450881	M8 Hand Wheel and Clevis Pin Assembly		1

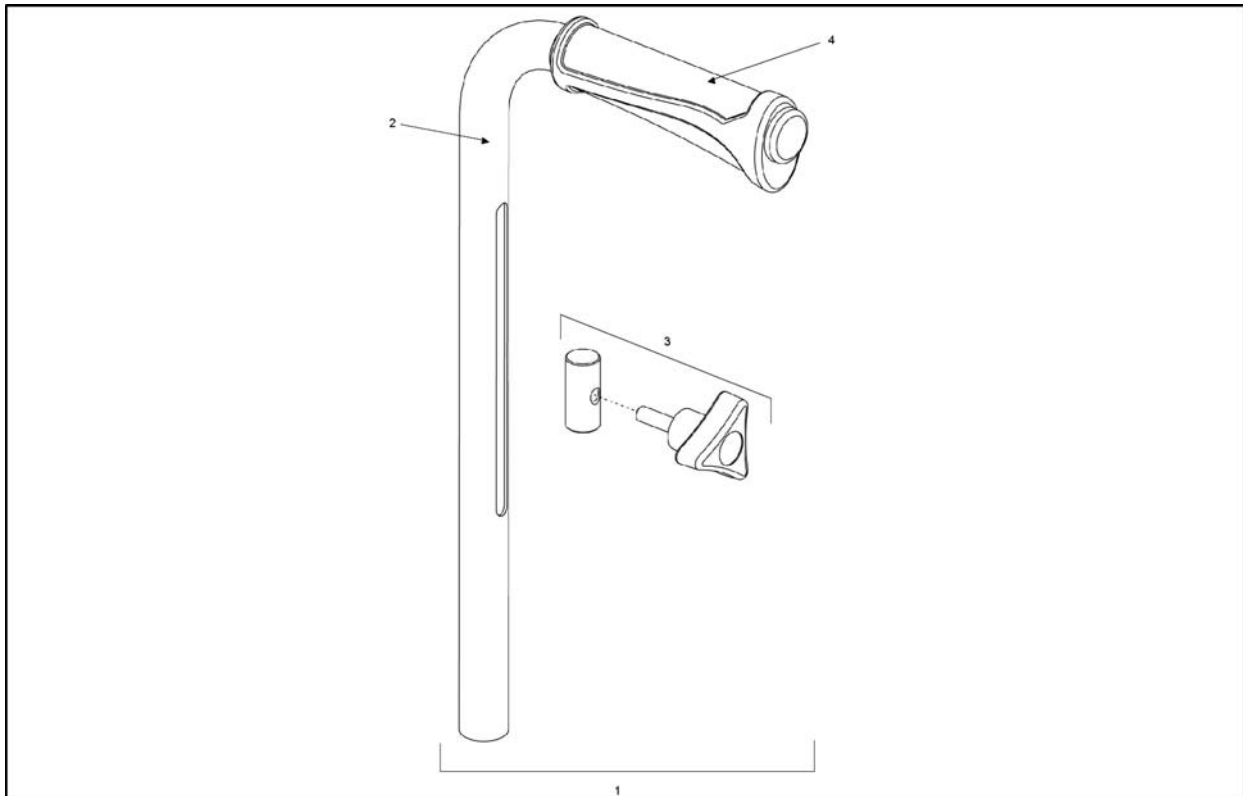


Pos.	Part number	Description	Valid from → until	Qty
1	1448909	Inner Tension Adjustable Back Upholstery (Top Left)		1
2	1448910	Inner Tension Adjustable Back Upholstery (Top Right)		1
3	1448915-0207	Tension Adjustable Back Cushion - 25 - 30cm		1
4	1448916-0207	Tension Adjustable Back Cushion - 30 - 35cm		1

Back Support Assemblies

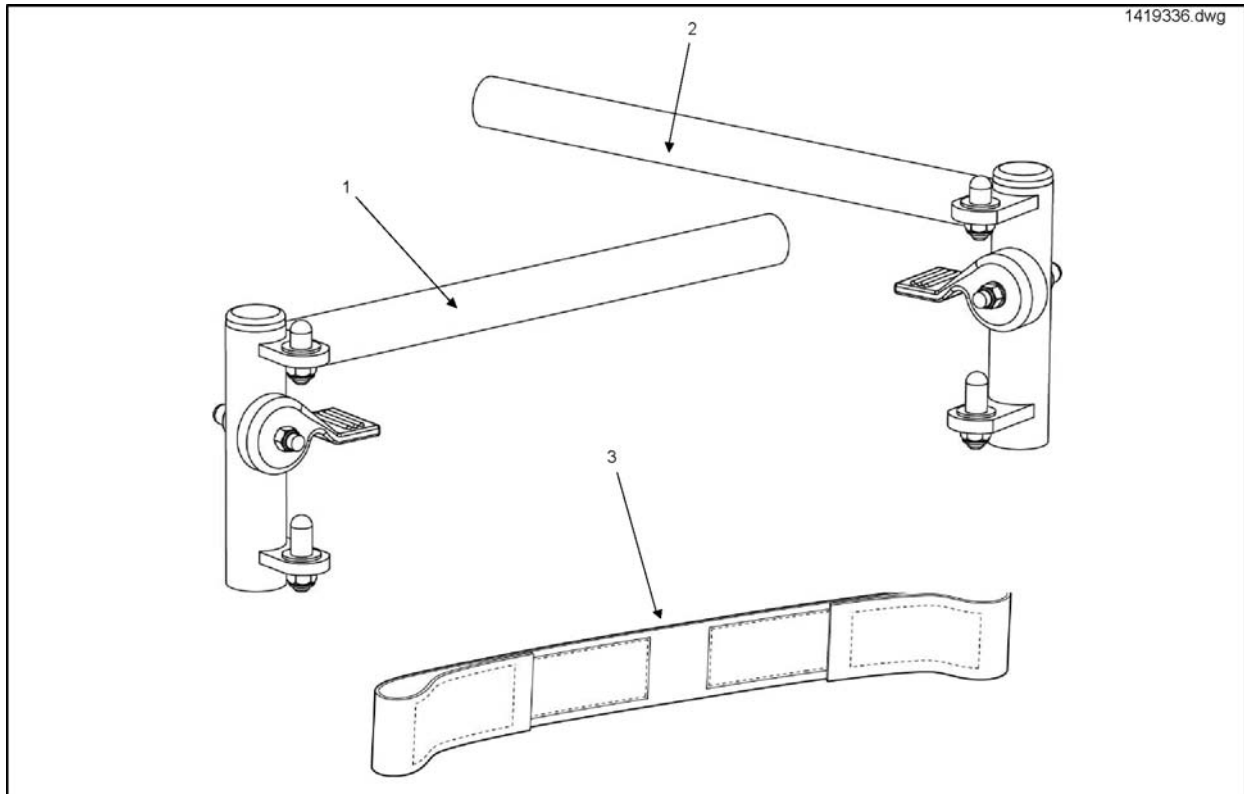


Pos.	Part number	Description	Valid from → until	Qty
1	1450893	Back Support Assembly Kit, cpl 25-30cm		1
2	1450966	Back Support Assembly Kit, cpl 30-35cm		1



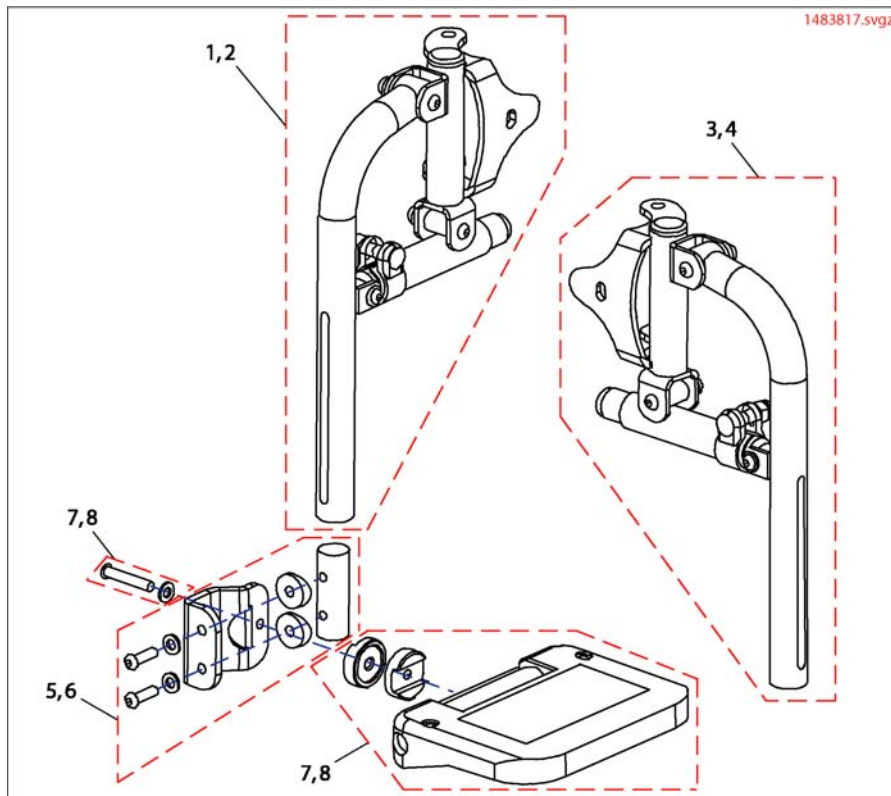
Pos.	Part number	Description	Valid from → until	Qty
1	1451650	Push Handle Assembly, cpl - 1 Off		1
2	1478430	Push Handle Assembly - 1 Off		1
3	1451651	Push Handle Fastener Kit - 1 Off		1
4	1435421	Handle Plastic Black, "Invacare"		1

Legrest Hanger Assemblies



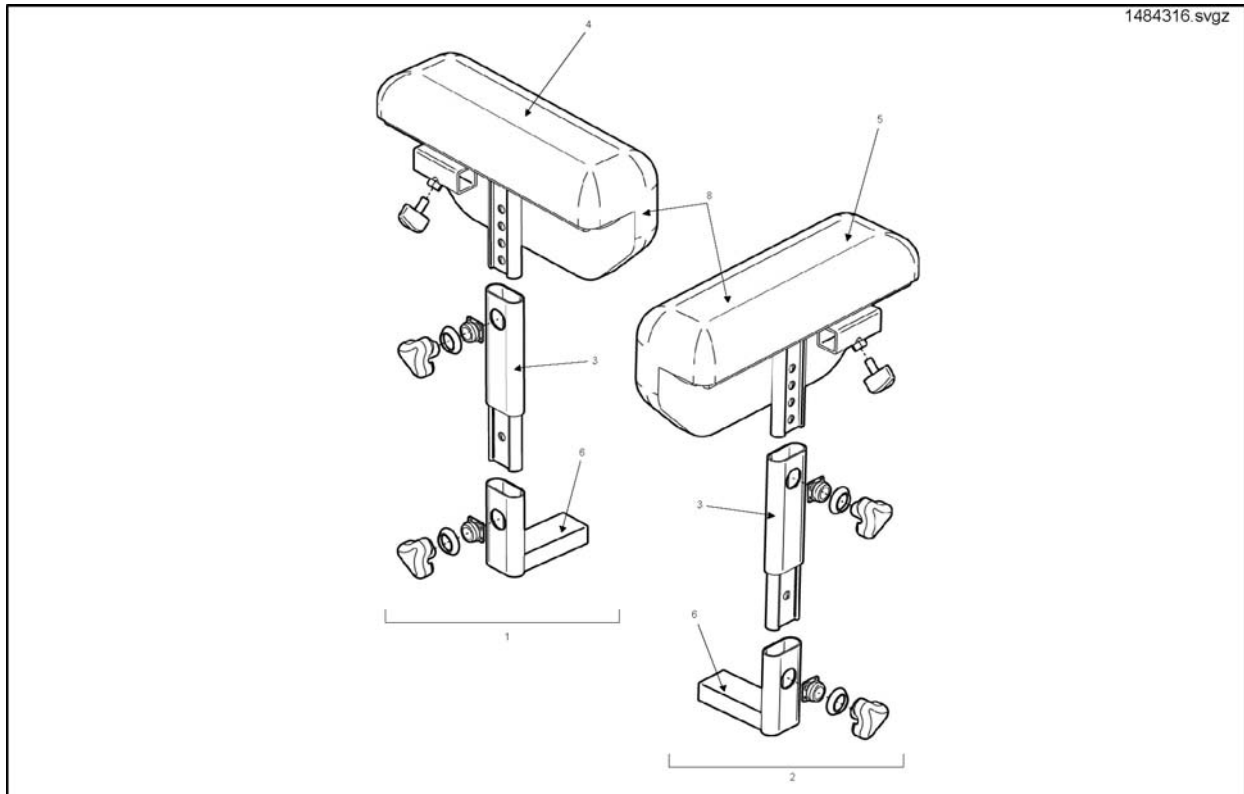
Pos.	Part number	Description	Valid from → until	Qty
1	1451192	Hanger Legrest Swingaway LH		1
2	1451191	Hanger Legrest Swingaway RH		1
3	99000236	Calf Strap Black 2 Wide" " " " "		1

Legrest Assemblies



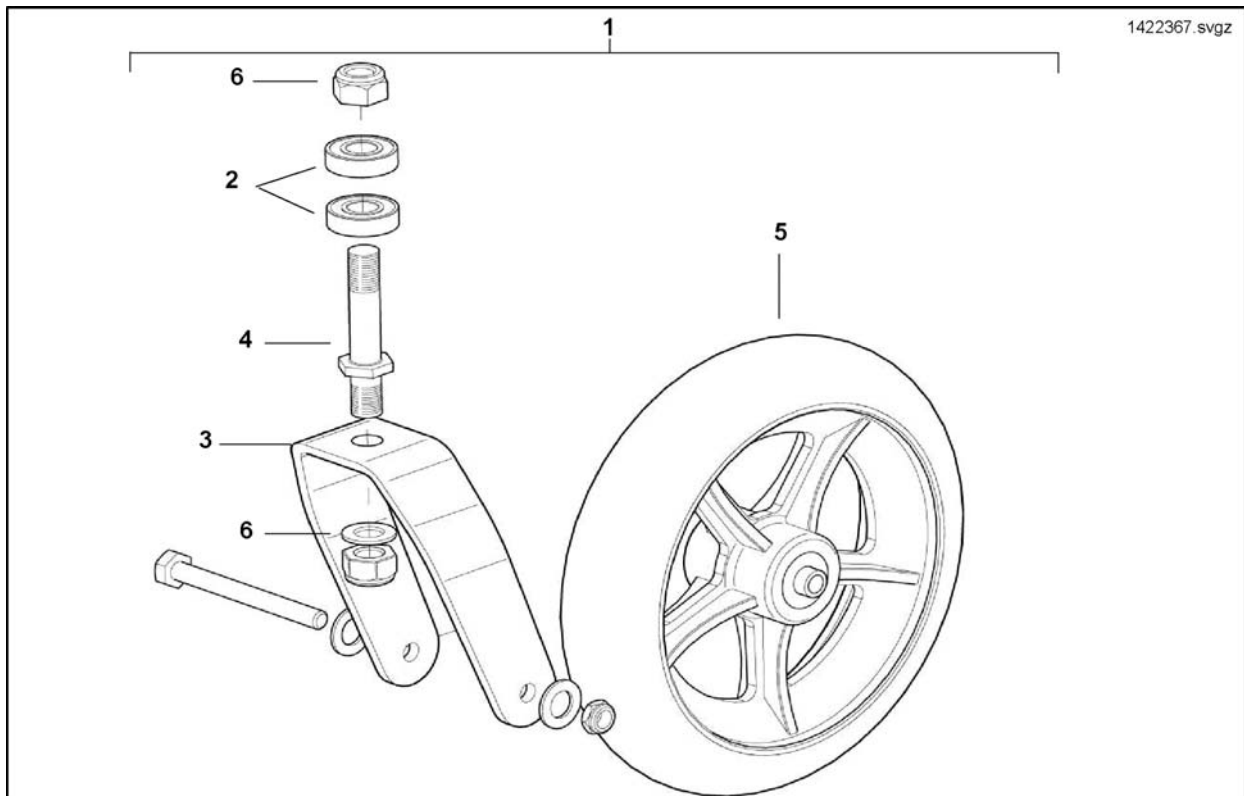
Pos.	Part number	Description	Valid from → until	Qty
1	1483817	RH Legrest Assembly, cpl		1
2	1478418	RH Long Legrest Assembly, cpl		1
3	1451711	LH Legrest Assembly, cpl		1
4	1451433	LH Long Legrest Assembly, cpl		1
5	1478415	Footplate Bracket Assembly (Short Legrest) - 1 Off		1
6	1484782	Footplate Bracket Assy (Long Legrest) - 1 Off		1
7	1483819	Large Footplate Kit (30-35cm Chair) - 1 Off		1
8	1483818	Small Footplate Kit (25-30cm Chair) - 1 Off		1

Armrest Assemblies



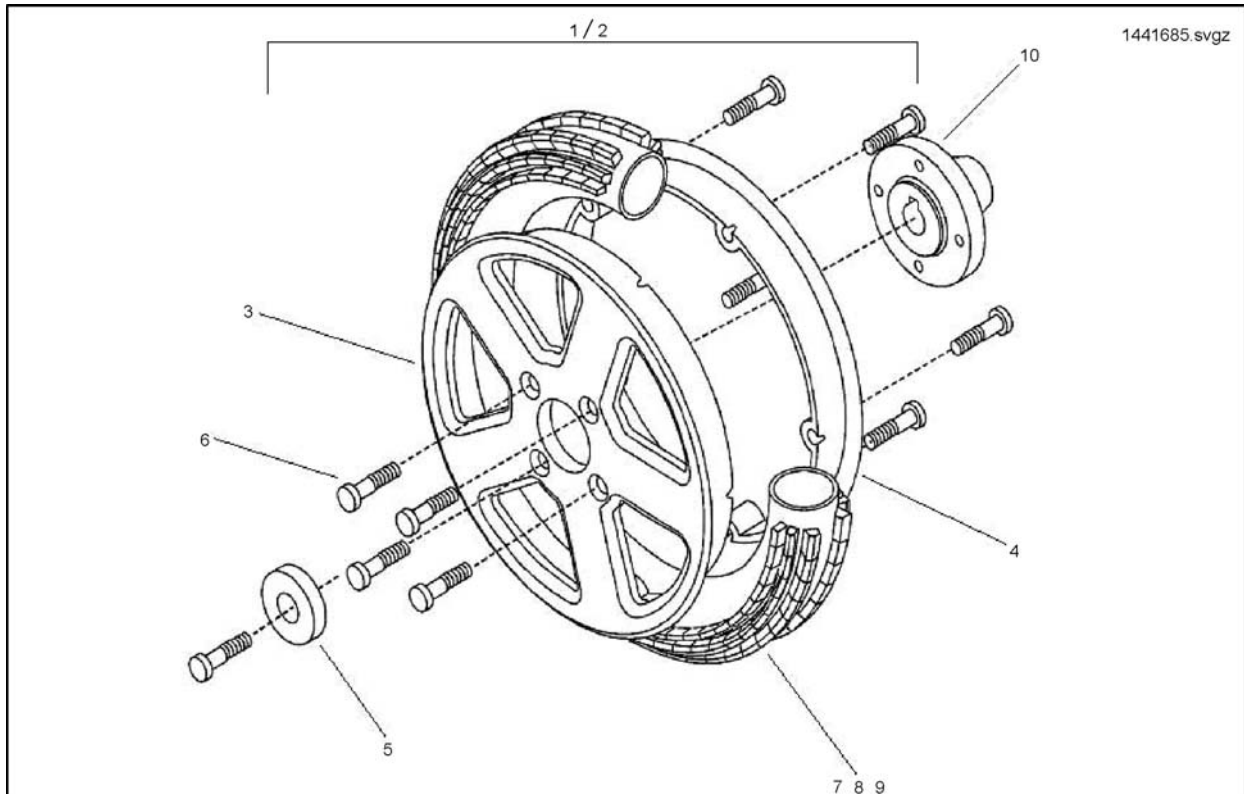
Pos.	Part number	Description	Valid from → until	Qty
1	1484316	RH Armrest Assembly, cpl		1
2	1484317	LH Armrest Assembly, cpl		1
3	1442326-0216	Armrest Support Assembly - 1 Off		1
4	1451465	RH Armpad With Support Assembly		1
5	1478449	LH Armpad With Support Assembly		1
6	1433389-0216	Armrest Mounting Bracket Short		1
7	1451648	Armrest Fastener Kit		1
8	1450008-0228	Armpad Complete (Black)		1

Front Castor Wheels



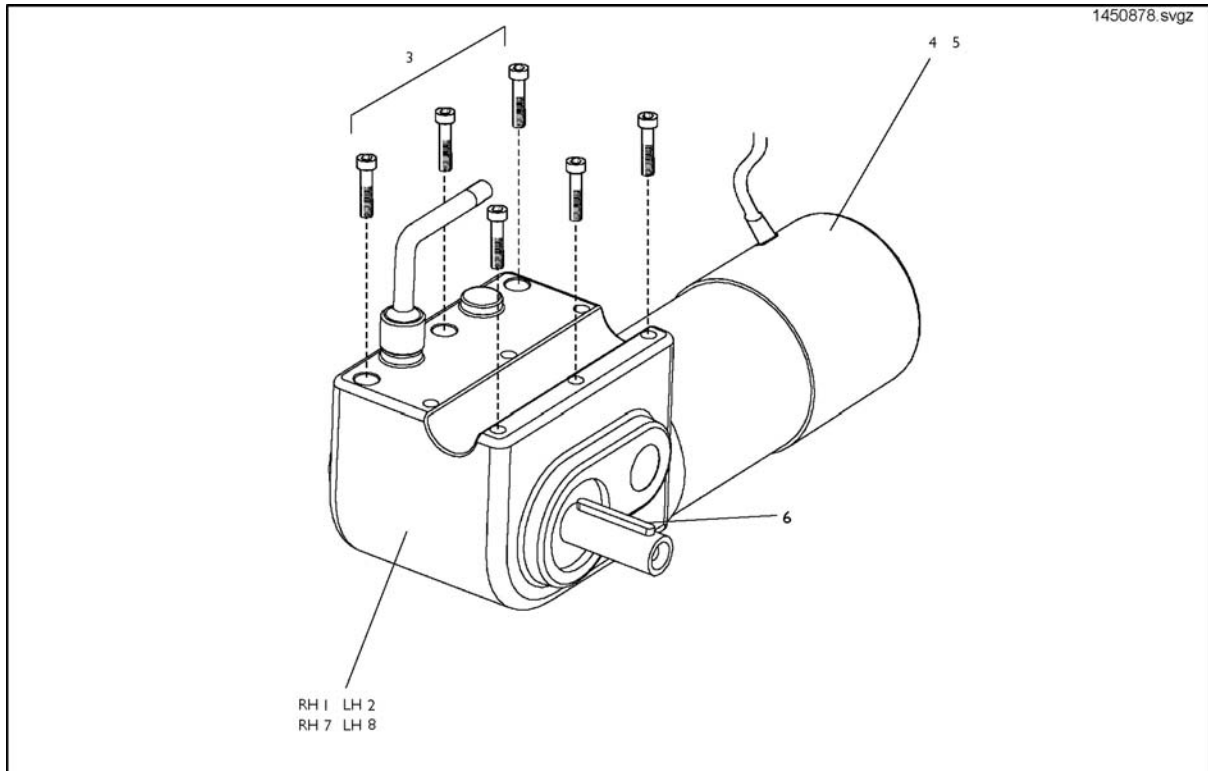
Pos.	Part number	Description	Valid from → until	Qty
1	SP1422367	Part not for sale		1
2	N00204	Bearing - Castor Stem		1
3	D122011A	Castor Fork		1
4	6000811	Castor Stem		1
5	1418196	CASTOR 200x50 (8") MEDIUM HARD		1
6	1441652	Castor Fixing Kit		1

Rear Wheels



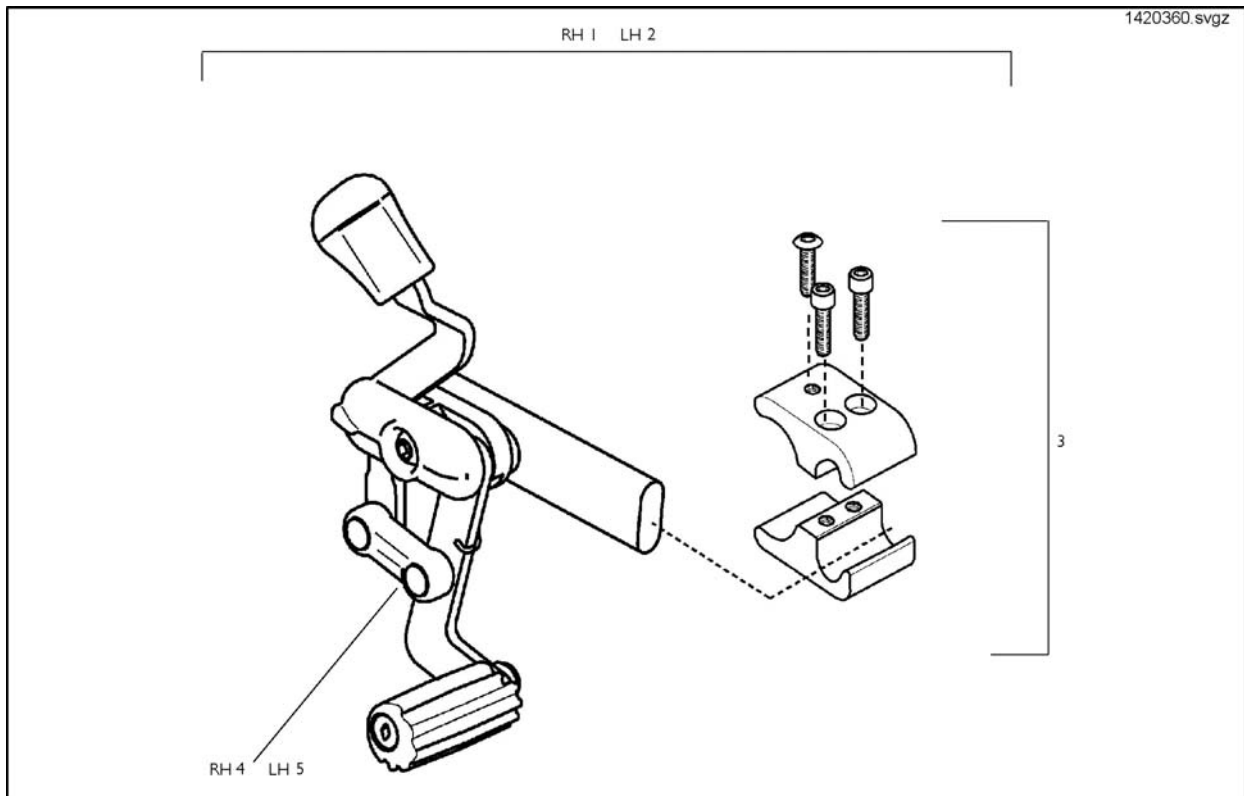
Pos.	Part number	Description	Valid from → until	Qty
1	1441685	Complete Wheel Assembly With Pneumatic Tyre and Tube (No Hub)		1
2	1441686	Complete Wheel Assembly With Puncture Proof Insert and Tyre (No Hub)		1
3	Z121007.P40	Wheel-Rim, 1.5 Jx8, Outer, Black		1
4	Z121008.P40	Wheel-Rim, 1.5 Jx8, Inner, Black		1
5	Z122014-9005	Wheel Hub Cover Black		1
6	1496138	Screw M8X25 Iso 10 642		1
7	23009262	Puncture Proof Infill Complete With Tyre		1
8	M11005	Tyre 12 1/2 X 2 1/4		1
9	M12004	Inner Tube		1
10	1509053-0002	Wheel Hub		1
11	SP1422405	Part not for sale		1
12	SP1422404	Part not for sale		1

Motor Gear Box



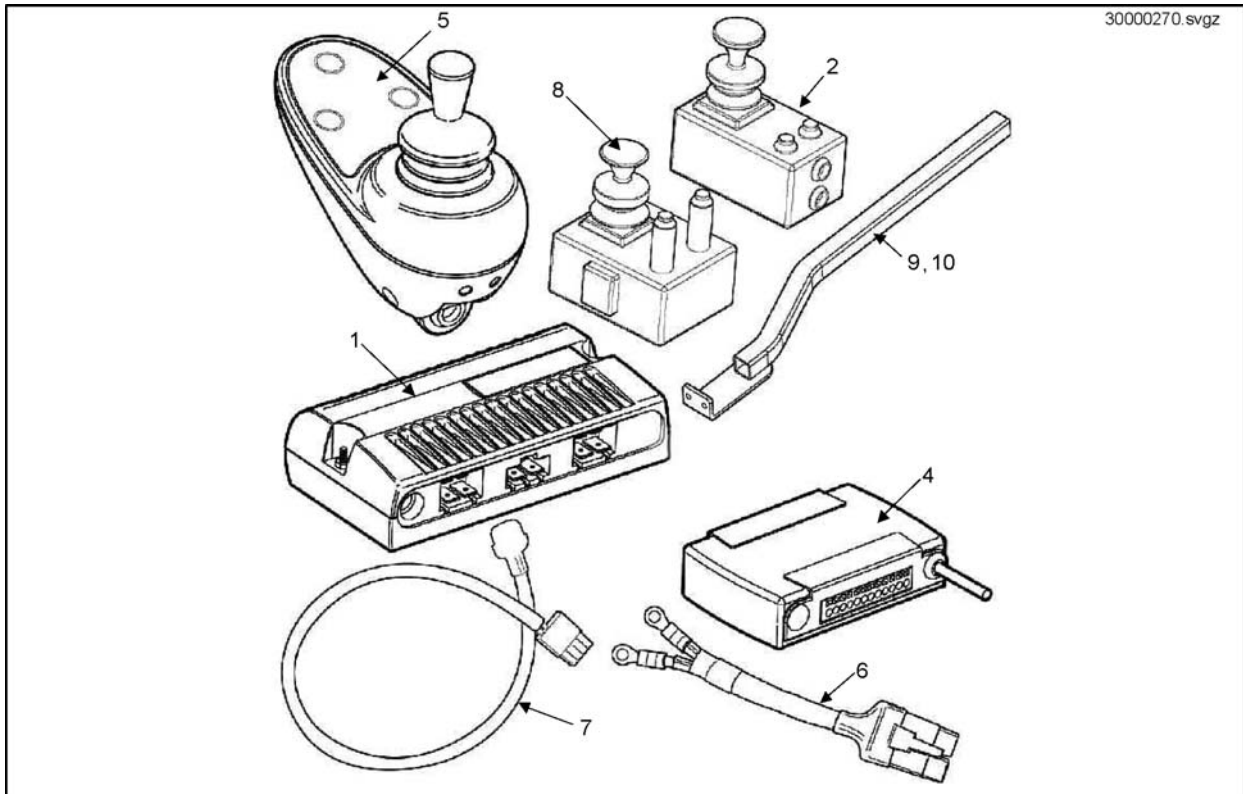
Pos.	Part number	Description	Valid from → until	Qty
1	1450878	RH Motor Gearbox (Shark and ACS Systems Only)		1
2	1450879	LH Motor Gearbox (Shark and ACS Systems Only)		1
3	1441971	Motor Gearbox Fixation Kit		1
4	1441655	Motor Brush Set		1
5	1441656	Motor Electro-Magnetic Replacement Brake Kit		1
6	N23004	Woodruff Key A 6 X 6 X 40		1
7	SP1451318	RH Motor Gearbox (Pilot Plus and VSI Systems Only)		1
8	SP1451317	LH Motor Gearbox (Pilot Plus and VSI Systems Only)		1
9	1513563	RH Motor Gearbox VR2 Only		1
10	1513564	LH Motor Gearbox VR2 Only		1

Manual Brakes



Pos.	Part number	Description	Valid from → until	Qty
1	1420360	RH Brake Assembly Complete With Mounting Bracket		1
2	1420361	LH Brake Assembly Complete With Mounting Bracket		1
3	1441640	Brake Mounting Kit (Use RH/LH)		1
4	1420366	RH Brake Assembly		1
5	1420367	LH Brake Assembly		1

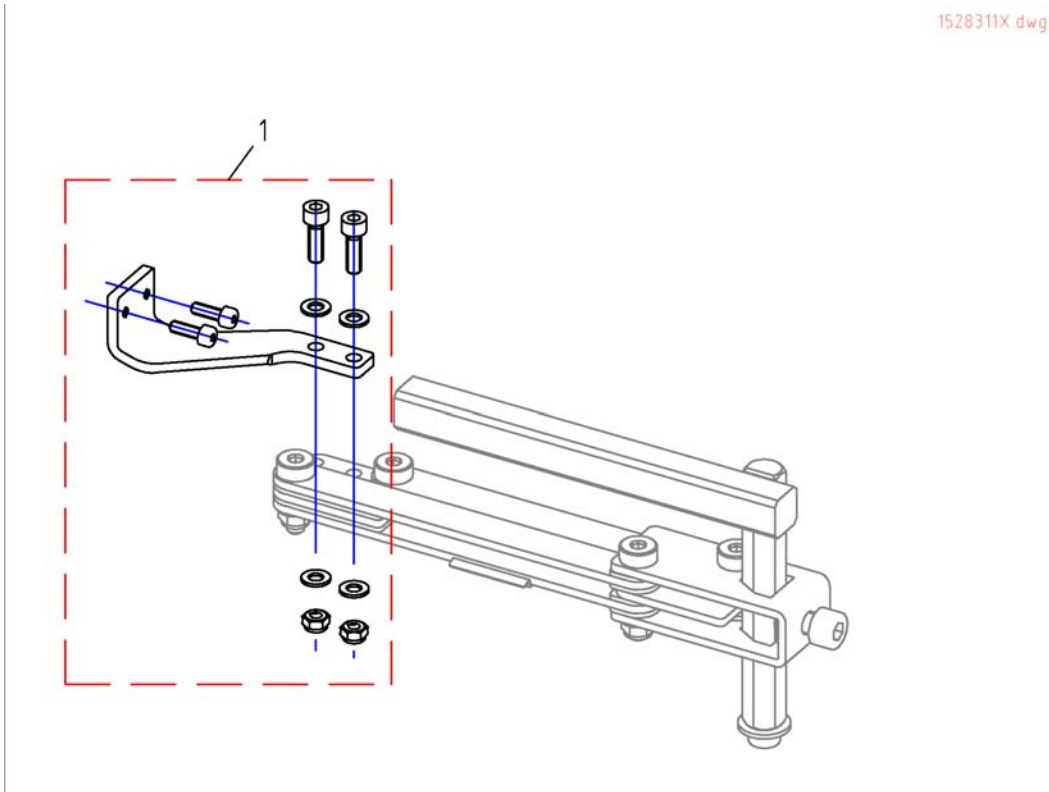
Pilot Plus Control



Pos.	Part number	Description	Valid from → until	Qty
1	30000265	Pilot+ PM50 Module (D49859)		1
2	30000270	Pilot+ Dual Control D49682		1
4	30000271	Pilot+ Clam ALM-5L (D49664)		1
5	30000267	Pilot+ Remote (D49671)		1
6	1448943	VSI Power Cable (Terminal Covers Included)		1
7	1436768	Pilot+ Actuator Loom L/R		1
8	30000269	Pilot+ Chin Control D49681		1
9	1450719-0216	Pilot Plus Joystick Arm Right Hand		1
10	1450746-0216	Pilot Plus Joystick Arm Left Hand		1

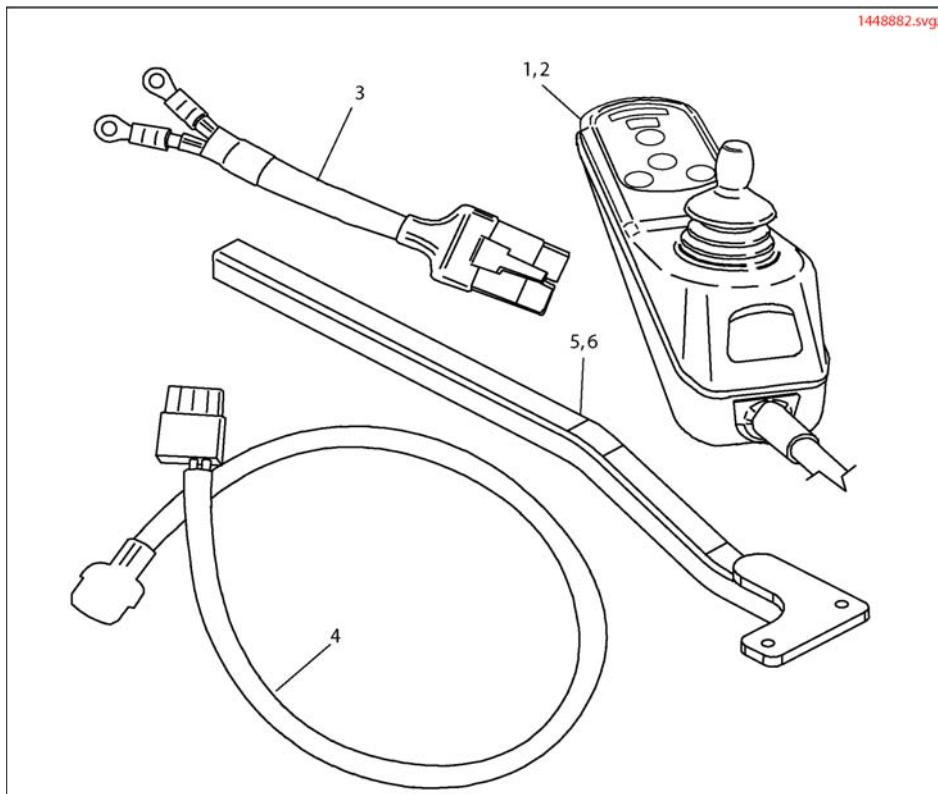
Holder Pilot+, swing away, high end

1528311X.dwg



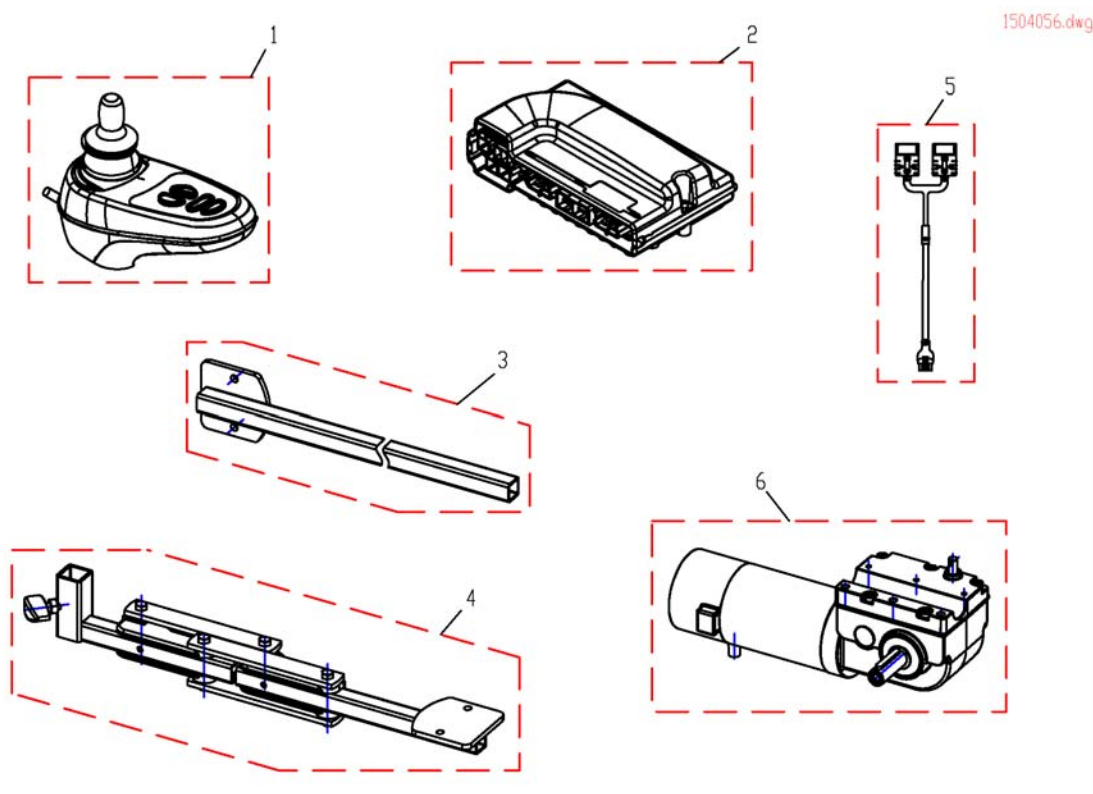
Pos.	Part number	Description	Valid from → until	Qty
1	SP1528311	Holder Pilot+, swing away, high end RH		1
1	SP1528312	Holder Pilot+, swing away, high end LH		1

VSI Control Systems

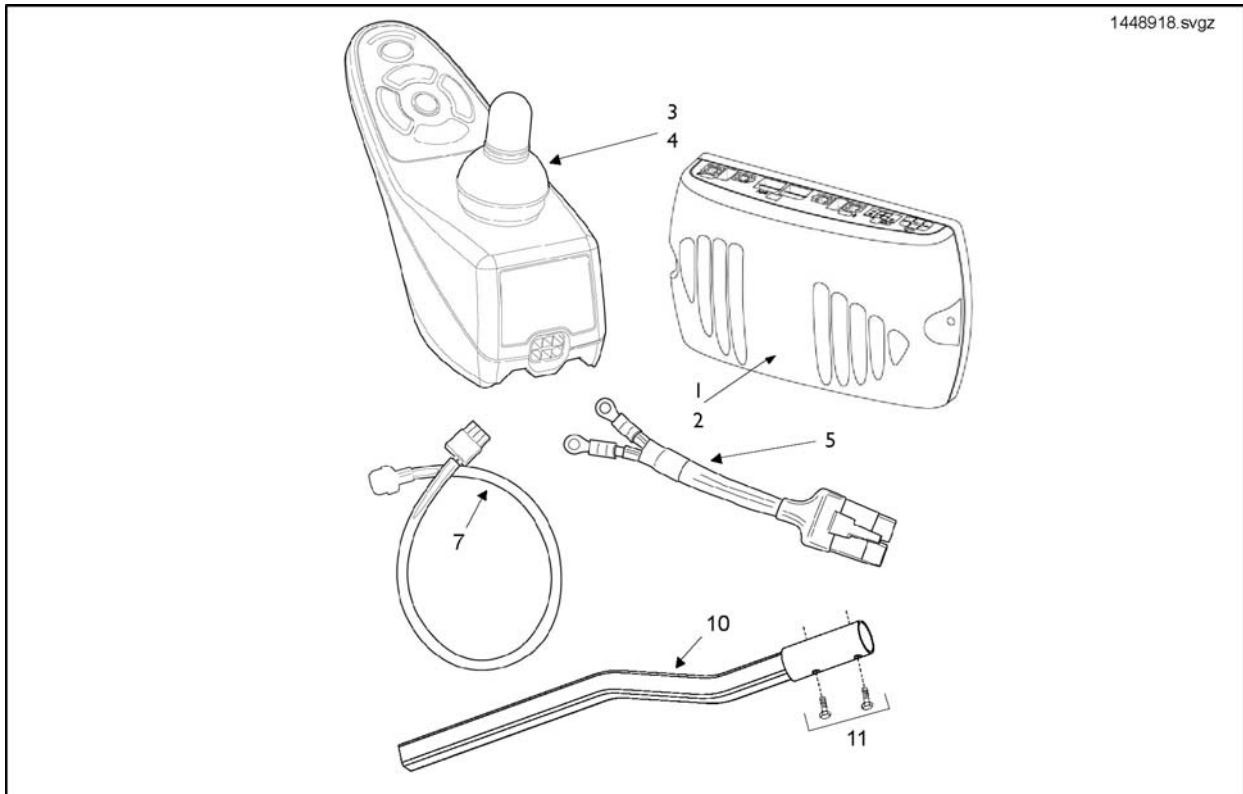


Pos.	Part number	Description	Valid from → until	Qty
1	1448882	Joystick VSI 50-X (D50175) Drive Only		1
2	1488980	VSI 2 Actuator Function Controller - Std(D50875)		1
3	1448943	VSI Power Cable (Terminal Covers Included)		1
4	1436768	Pilot+ Actuator Loom L/R		1
5	1450091-0216	VSI Joystick Arm Right Hand		1
6	1450092-0216	VSI Joystick Arm Left Hand		1

VR2 Control

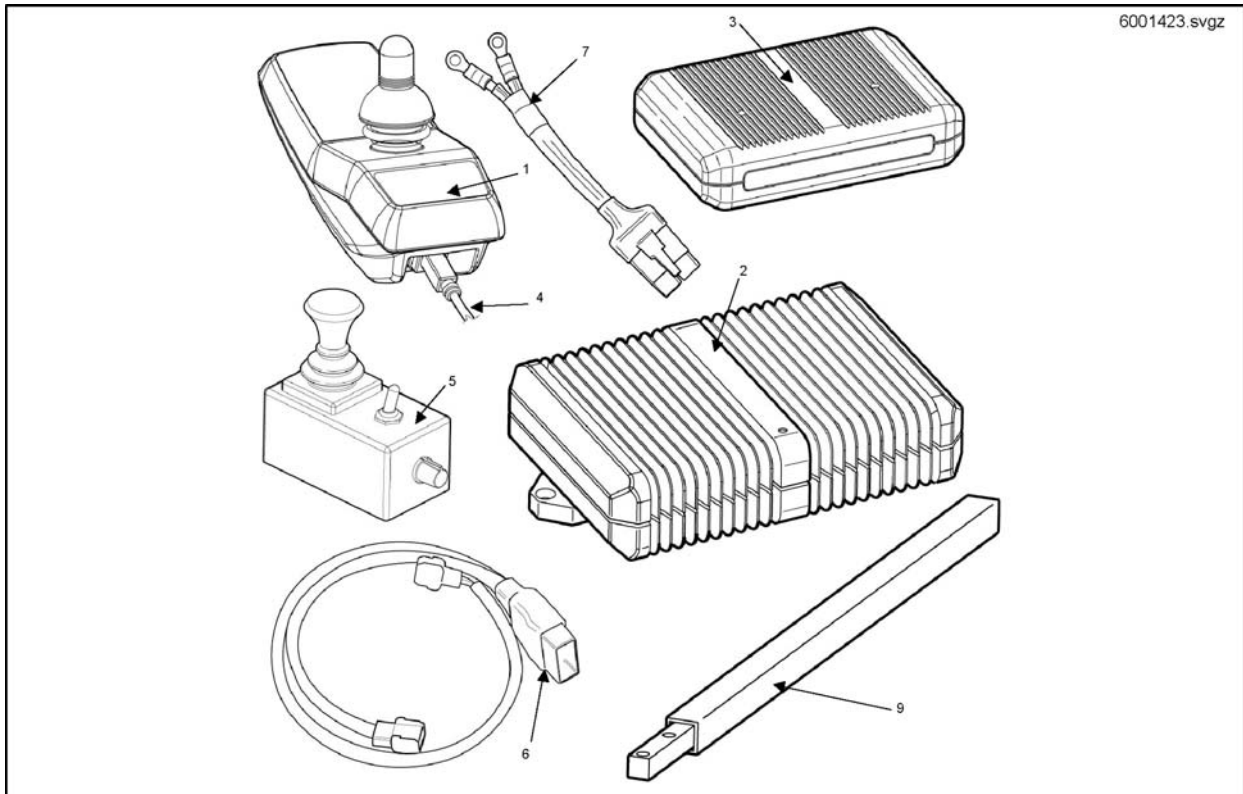


Pos.	Part number	Description	Valid from → until	Qty
1	SP1504057	VR2 Cntroller		1
2	SP1504056	VR2 Powermodul		1
3	SP1513562	Control Bracket VR2 LH/RH		1
4	SP1513568	VR2 Remote Bracket swing away LH		1
4	SP1513567	VR2 Remote Bracket swing away RH		1
4	SP1522404	VR2 Remote Bracket swing away LH, with Lock		1
4	SP1522403	VR2 Remote Bracket swing away RH, with Lock		1
5	SP1513753	Batterycable		1
6	SP1513846	VR2 Motor LH		1
6	SP1513847	VR2 Motor RH		1
7	SP1528313	Remoteadapter, swing away VR2, RH/LH		1



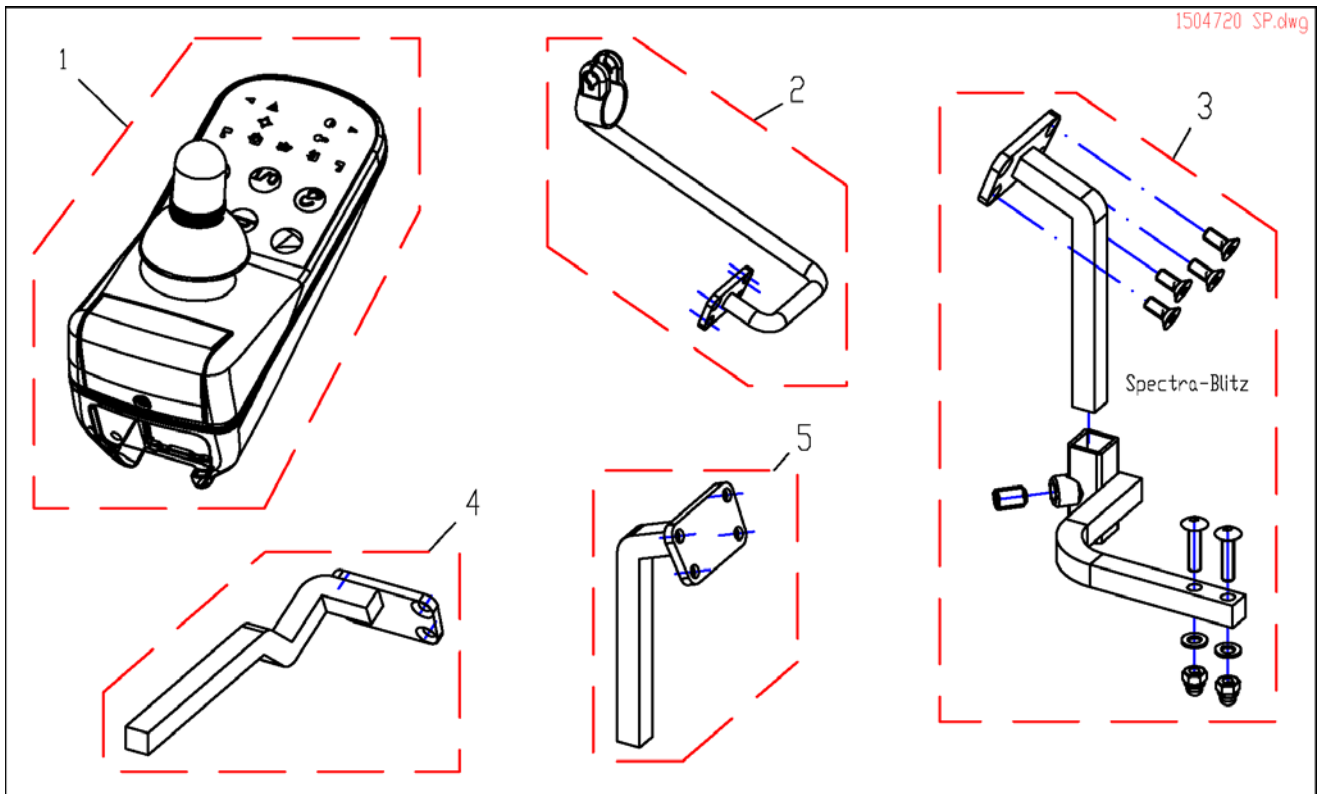
Pos.	Part number	Description	Valid from → until	Qty
1	1433332	Power Modul Shark DK-PMB01		1
2	1448744	Power Module Shark DK - PMB22		1
3	1492567	Remote Shark DK-REM D01		1
4	1449177	Remote Shark DK-REM D11		1
5	1448942	SHARK POWER LEAD (TERMINAL COVERS INCLUDED)		1
6	1448922	Shark Bus Cable 1.0M GSM80234		1
7	1448890	Actuator Loom Shark		1
8	1441551	Programming Adapter Shark (Unconditionally Necessary To Program Shark)		1
9	1442160	Joystick Rubber Knob and Gator Kit.		1
10	1441631	J/Stick Mtg Arm (Fixed)		1
11	1441632	Shark - Joystick Remote Fixing Kit		1

ACS Control Systems



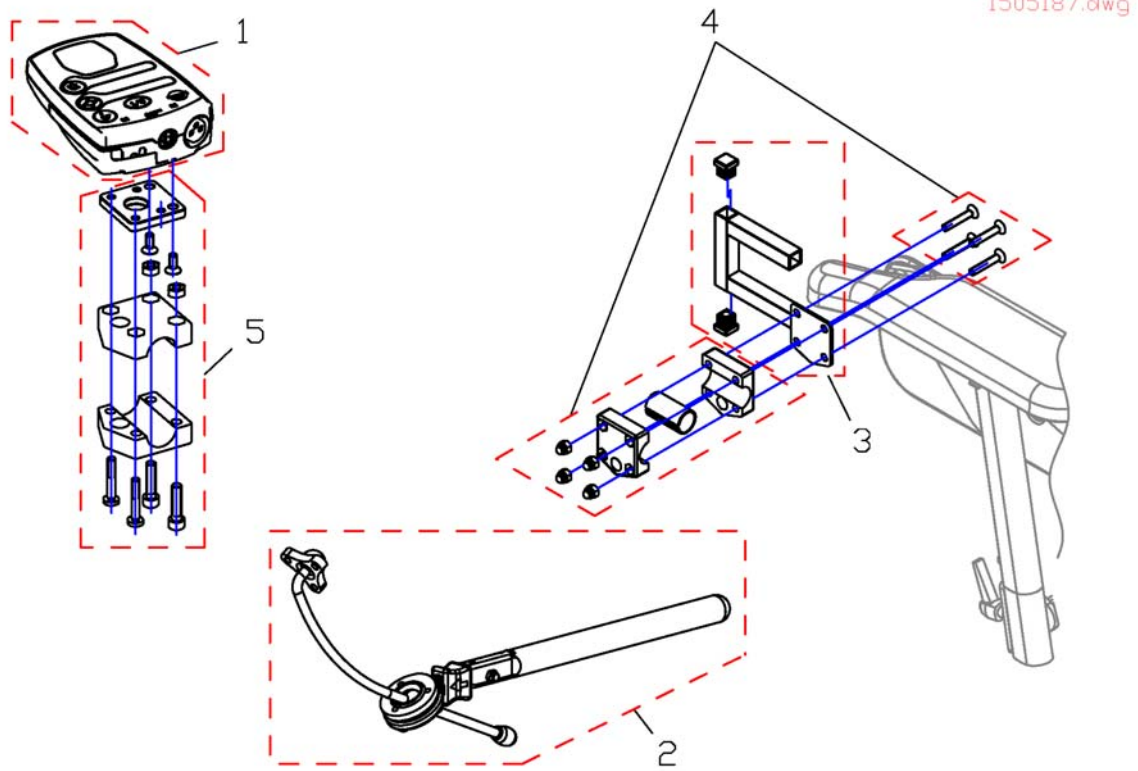
Pos.	Part number	Description	Valid from → until	Qty
1	1436541	Remote REM 24 SD		1
2	6001423	ACS Power Module DX-PMB AS60A		1
3	P10081	ACS Light/Actuator Module (Clam)		1
4	GSM63011	ACS Bus-Cable 1,1M		1
5	6001425	ACS Dual Control		1
6	1450522	ACS Clam Lead 2 Actuator		1
7	1448941	ACS Power Lead (Terminal Covers Included)		1
8	GSM63005	ACS Bus Cable .500Mm Blk		1
9	1441778-0205	Joystick Tube Assy Black		1
10	SP1526337	Holder Chin Control ACS RH/LH		1

G90 & Holder



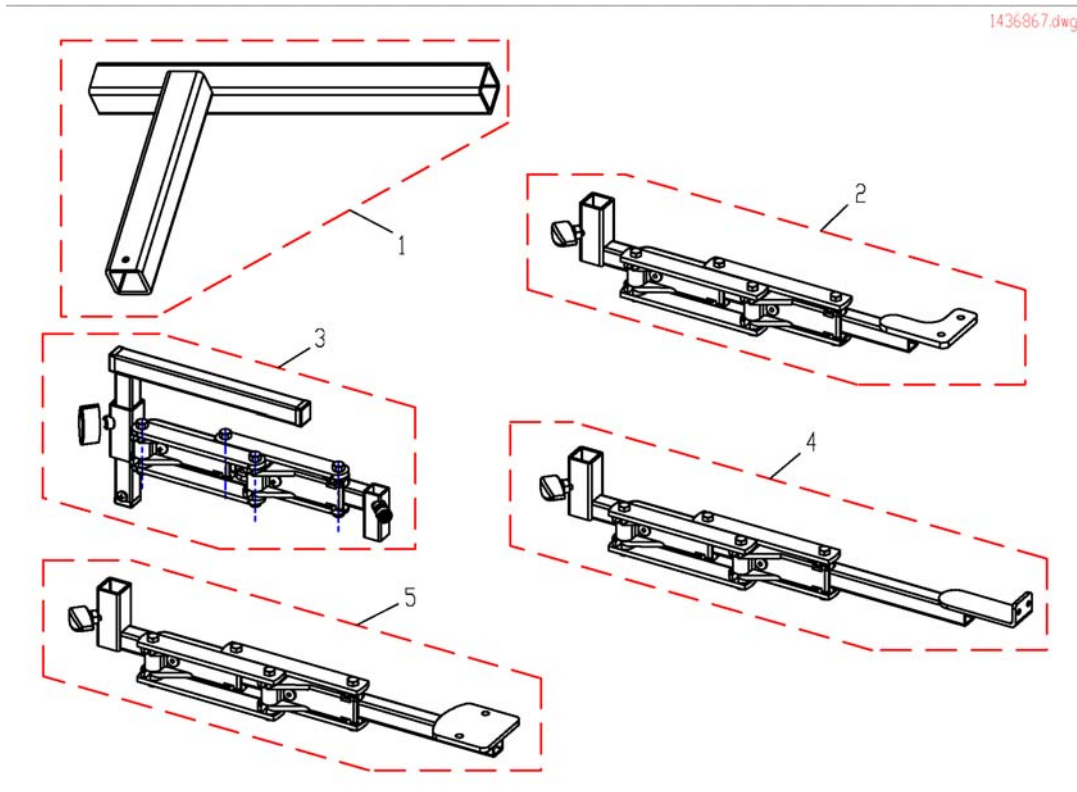
Pos.	Part number	Description	Valid from → until	Qty
1	1504720	Remote G90A		1
2	SP1509696	Holder Attendant Control G90A RH		1
2	SP1509702	Holder Attendant Control G90A LH		1
3	1518367	Remote Holder Swing-Away (Spectra-Blitz)		1
4	SP1518449	Holder G90A, Standard, RH		1
4	SP1518450	Holder G90A, Standard, LH		1
5	SP1517352	Remote Holder Swing-Away		1

G91 & Holder



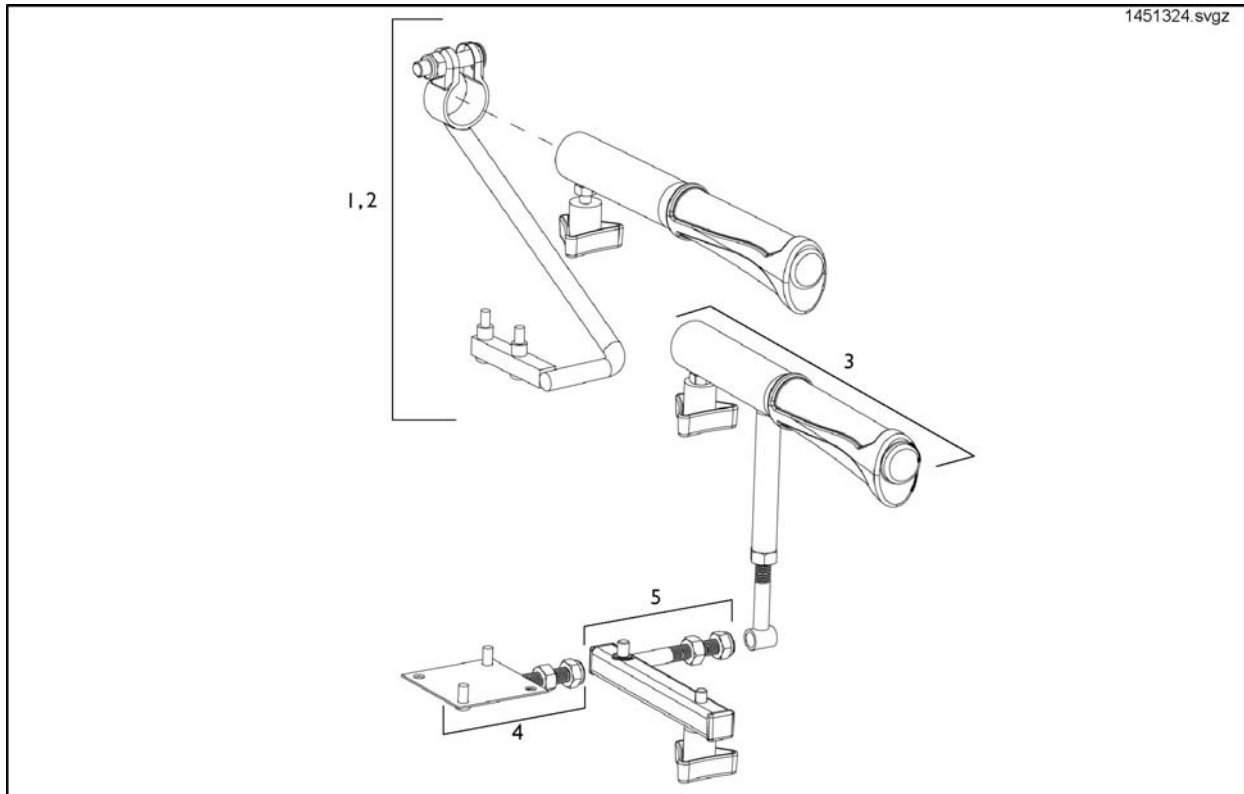
Pos.	Part number	Description	Valid from → until	Qty
1	1505187	Remote Control G91		1
2	SP1527504	Swan Neck Remote Bracket with Adapter Plate		1
3	SP1509711	Adapter G91 RH		1
3	SP1509716	Adapter G91 LH		1
4	SP1527503	Gripper Clamp cpl.		1
5	SP1528271	Holder for Backresttube		1

Remote Fixation Swing Away For User



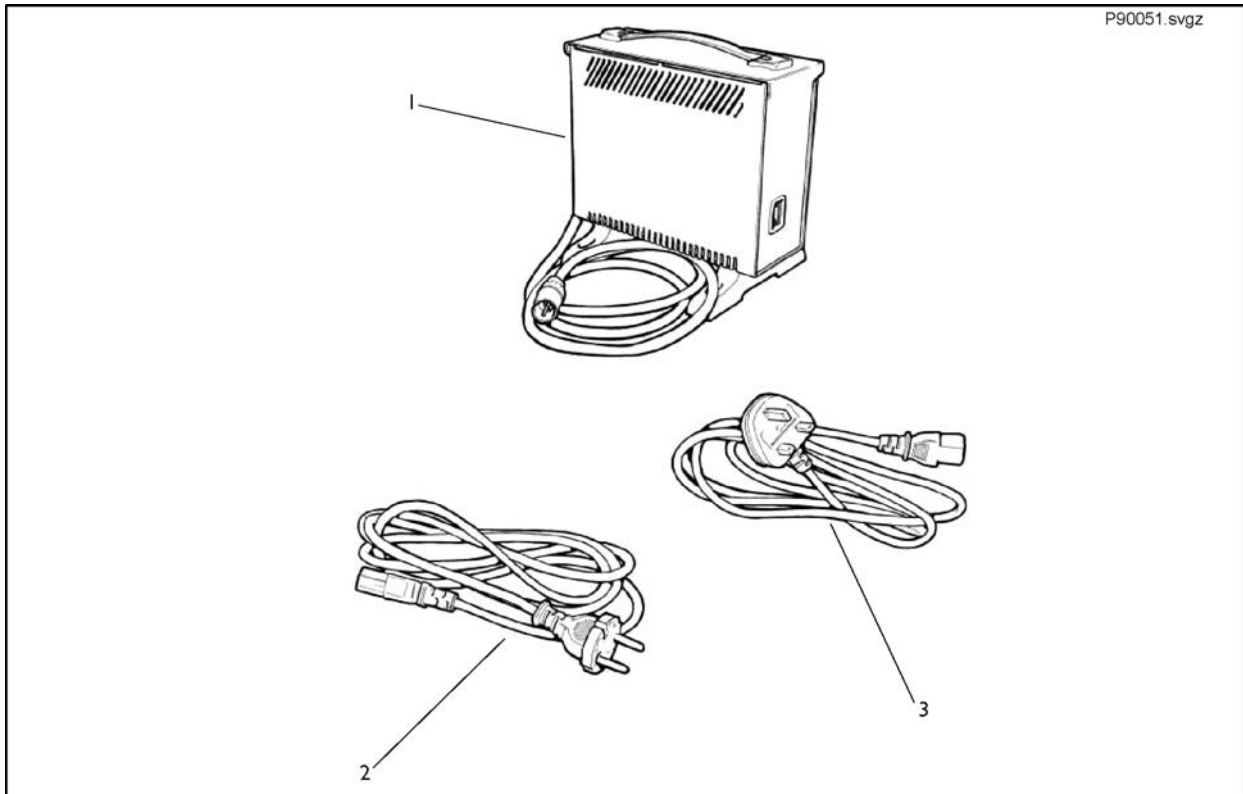
Pos.	Part number	Description	Valid from → until	Qty
1	1433312-0216	RH Swing Away Joystick Mounting Arm Bracket		1
1	1436867-0216	LH Swing Away Joystick Mounting Arm Bracket		1
2	SP1441636	Part not for sale		1
2	1441637	LH S/Away Arm Complete (Shark 1 & 2)		1
3	1421795	Swing-Out Remote Holder RH (ACS)		1
3	1421796	Swing-Out Remote Holder LH (ACS)		1
4	SP1509904	Swingaway Bracket Pilotplus RH		1
4	SP1509903	Swingaway Bracket Pilotplus LH		1
5	SP1513567	VR2 Remote Bracket swing away RH		1
5	SP1513568	VR2 Remote Bracket swing away LH		1
6	SP1509947	Swingaway Bracket VSI RH		1
6	SP1509946	Swingaway Bracket VSI LH		1

Attendant Control Mounting Hardware



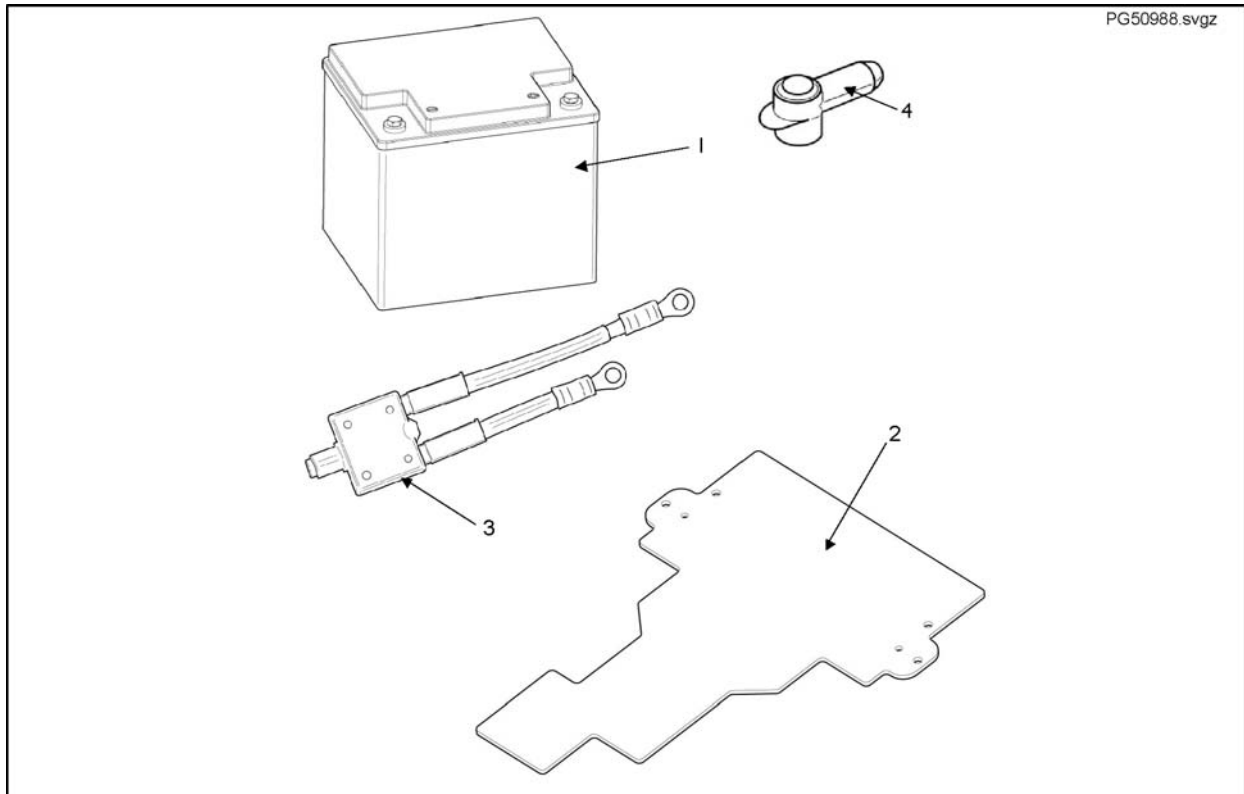
Pos.	Part number	Description	Valid from → until	Qty
1	1451324	ACS/Shark - Joystick Attendant Mounting Arm Right		1
2	1484794	ACS/Shark - Joystick Attendant Mounting Arm Left		1
3	1451325	Push Handle Extension Kit		1
4	1451326	Pilot+ Dual Control Mount Handle Extension Kit		1
5	1451319	P&G Attendant/Dual Control Unit Fixing Kit		1
6	1451320	ACS Dual Control Fixing Kit		1

Battery Charger

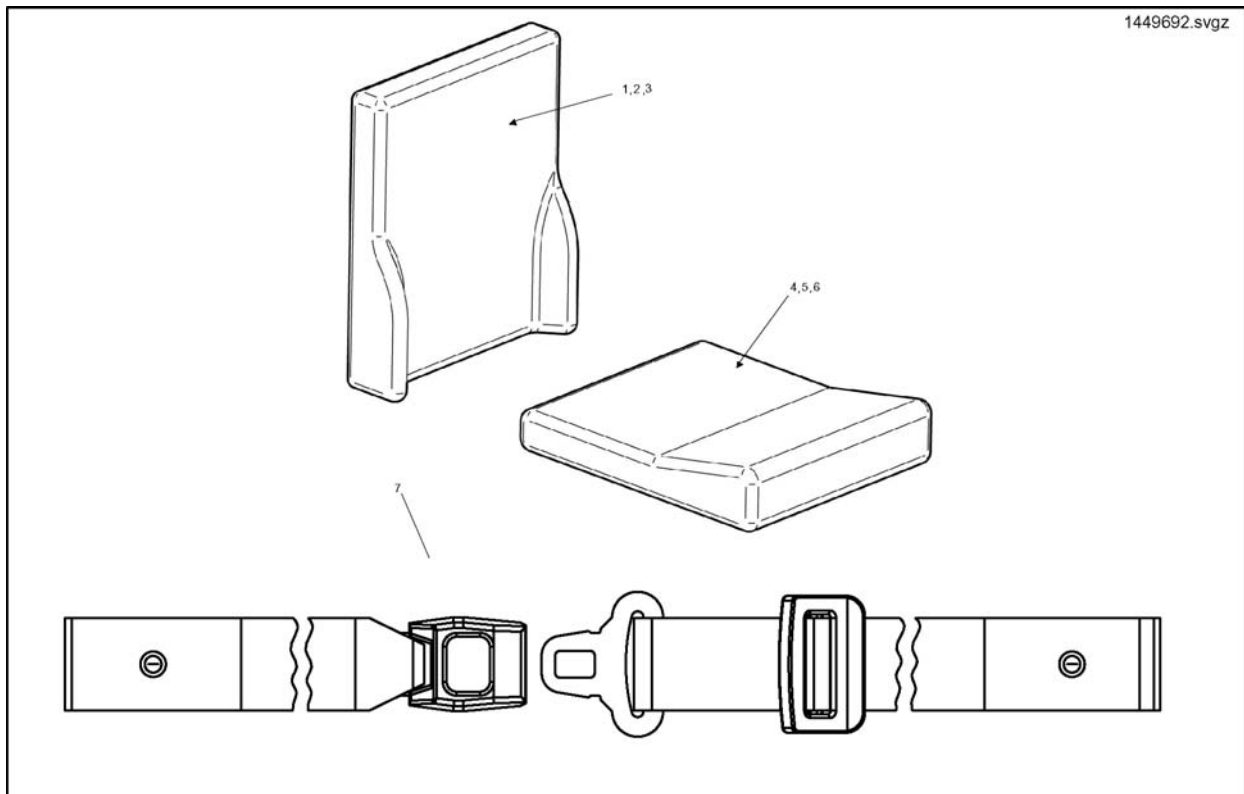


Pos.	Part number	Description	Valid from → until	Qty
1	P51981	Universal Charger 24V/8Ah for Batterys up to 73Ah c20 (without Powercord)		1
2	P21079	Charger Power Cable (Shockproof Plug)		1
3	P21080	Charger Power Cable (Uk)		1

Batteries and Cables

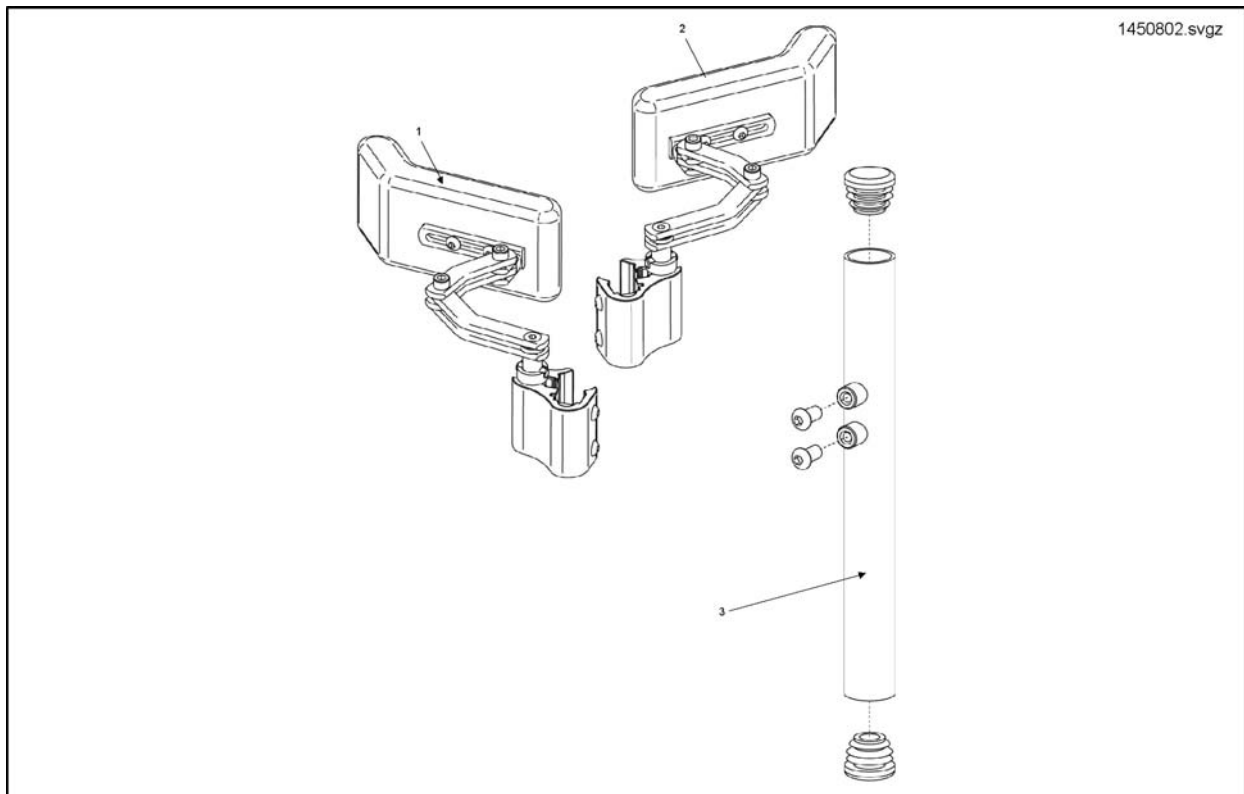


Pos.	Part number	Description	Valid from → until	Qty
1	PG50988	40Ah Mk Battery		1
2	1442329	Controller Mtg Plateblitz		1
3	1448905	Circuit Breaker Lead		1
4	1441773	40Ah Battery Terminal Cover Kit		1
5	1451315	Controller Fixing Kit (Not Shown)		1



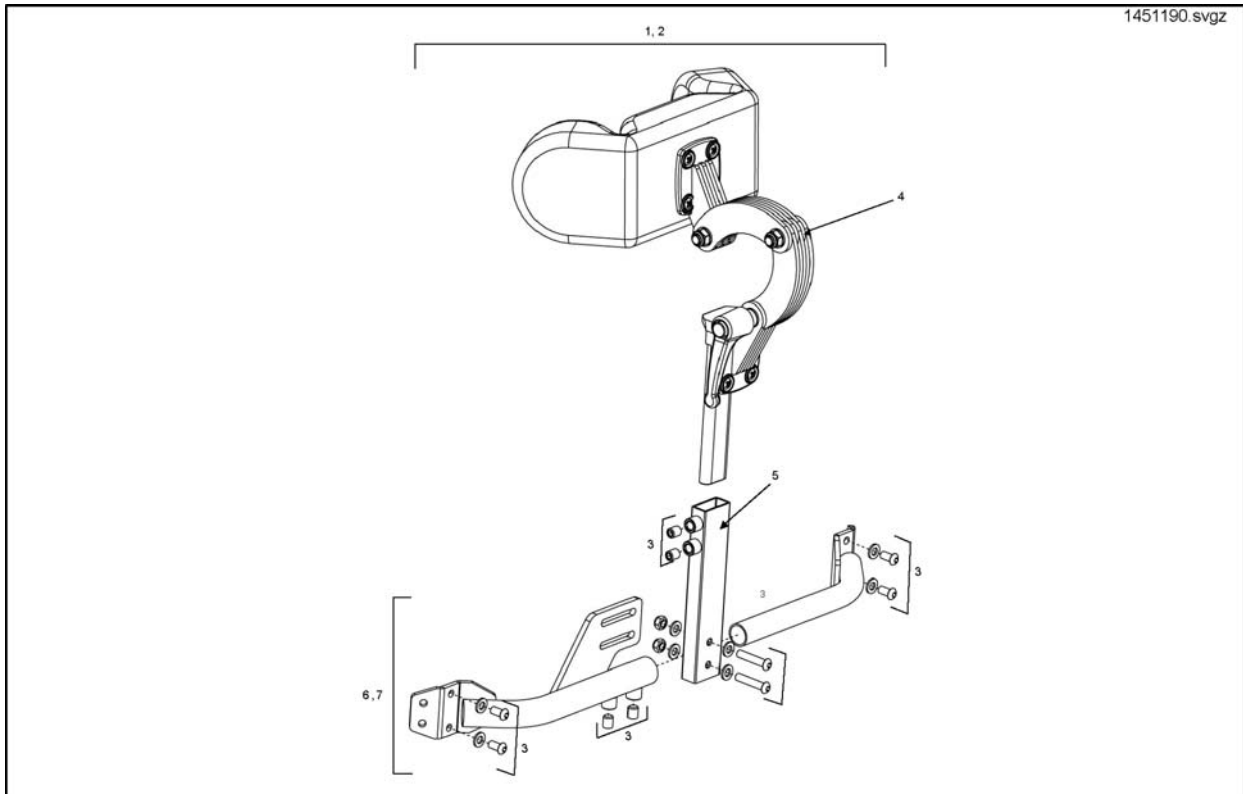
Pos.	Part number	Description	Valid from → until	Qty
1	1449692	Back Cushion Complete - 25cm		1
2	1449999	Back Cushion Complete - 30cm		1
3	1450000	Back Cushion Complete - 35cm		1
4	1449682	Seat Cushion Complete - 25cm		1
5	1449683	Seat Cushion Complete - 30cm		1
6	1449691	Seat Cushion Complete - 35cm		1
7	1448745	Standard Lap Belt		1
8	FLB10	Flo-Tech Lite Chushion Blk Smth Cvr 10X10		1
9	FLB10/11	Flo-Tech Lite Chushion Blk Smth Cvr 10X11		1
10	FLB10/12	Flo-Tech Lite Chushion Blk Smth Cvr 10X12		1
11	FLB10/13	Flo-Tech Lite Chushion Blk Smth Cvr 10X13		1
12	FLB12/10	Flo-Tech Lite Chushion Blk Smth Cvr 12X10		1
13	FLB12/11	Flo-Tech Lite Chushion Blk Smth Cvr 12X11		1
14	FLB12	Flo-Tech Lite Chushion Blk Smth Cvr 12X12		1
15	FLB12/13	Flo-Tech Lite Chushion Blk Smth Cvr 12X13		1
16	FLB12/14	Flo-Tech Lite Chushion Blk Smth Cvr 12X14		1
17	FLB12/15	Flo-Tech Lite Chushion Blk Smth Cvr 12X15		1
18	FLB14/13	Flo-Tech Lite Chushion Blk Smth Cvr 14X13		1
19	FLB14	Flo-Tech Lite Chushion Blk Smth Cvr 14X14		1
20	FLB14/15	Flo-Tech Lite Chushion Blk Smth Cvr 14X15		1

Lateral Support Assemblies



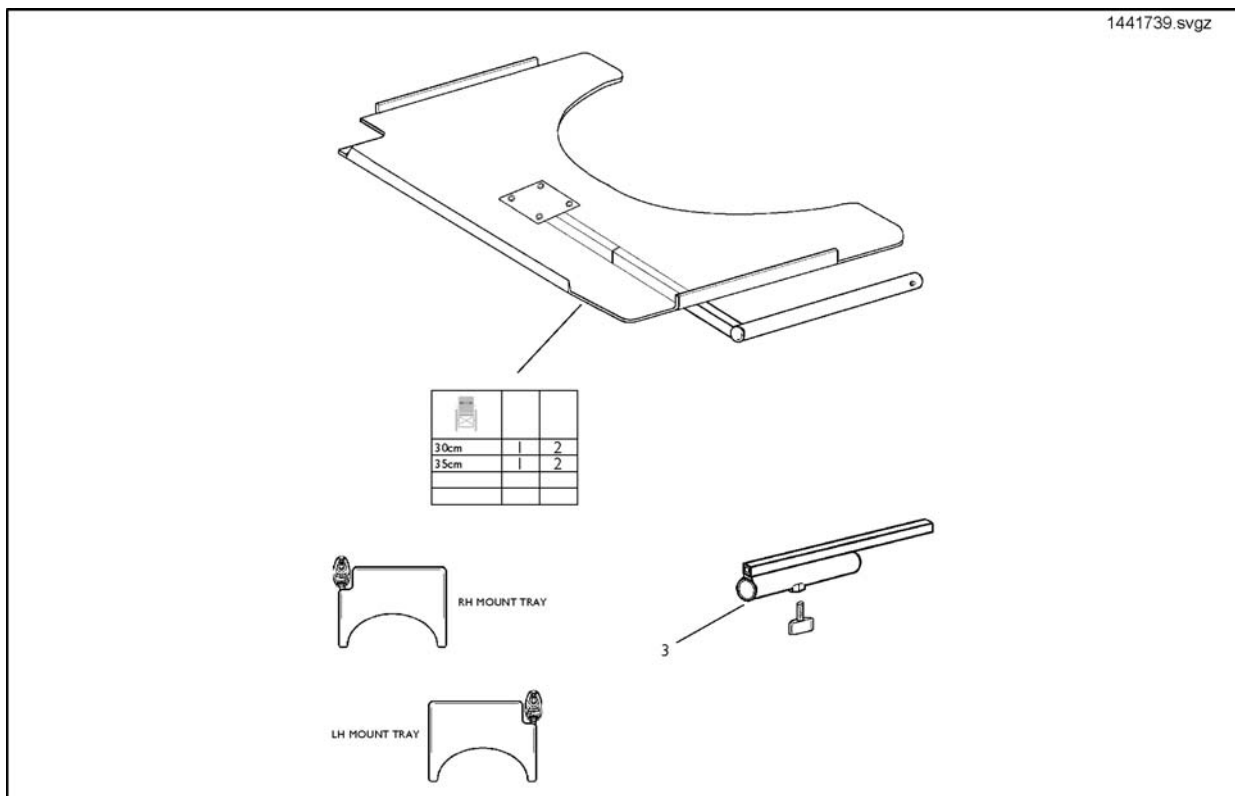
Pos.	Part number	Description	Valid from → until	Qty
1	SP1492640	Trunksupport with bracket RH		1
2	SP1492641	Trunksupport with bracket LH		1
3	SP1468357	Lateral Support Tube RH		1
3	SP1468358	Lateral Support Tube LH		1

Headrest Assemblies



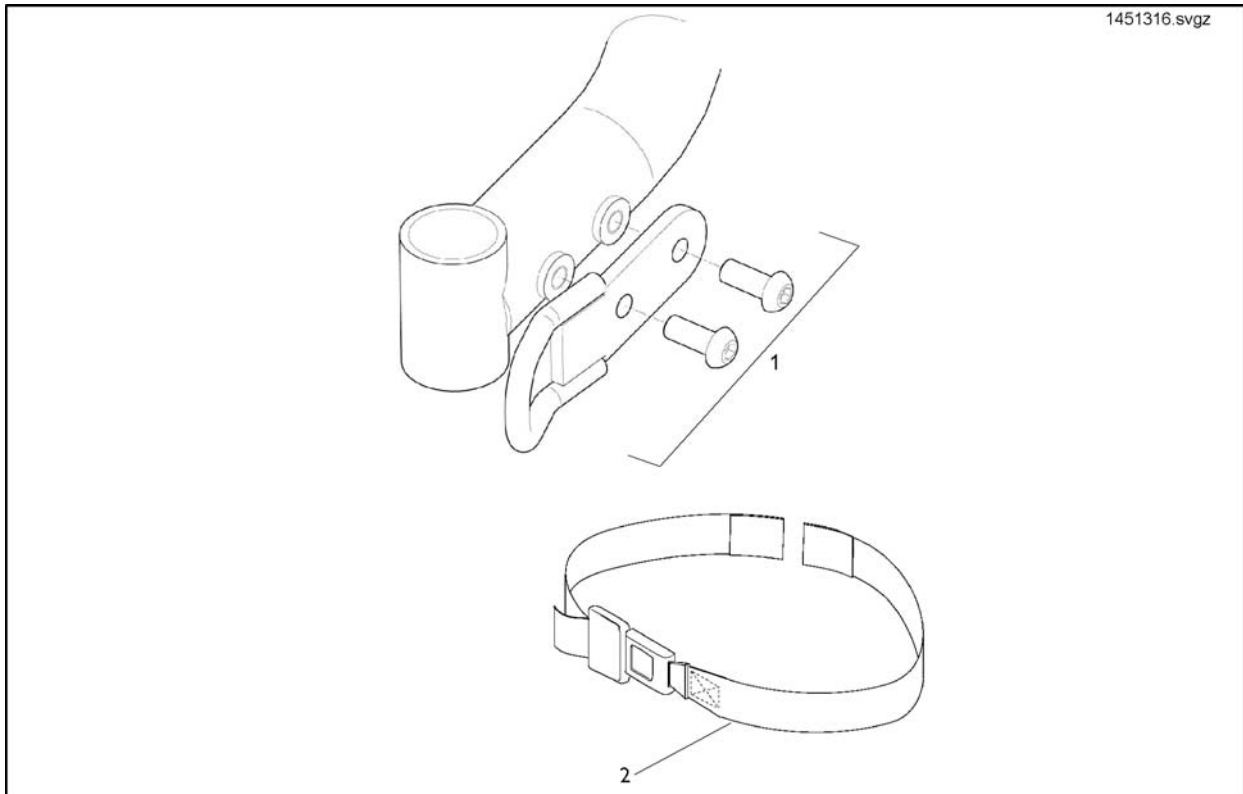
Pos.	Part number	Description	Valid from → until	Qty
1	1451190	Headrest Assembly Kit - cpl. (25-30cm)		1
2	1451692	Headrest Assembly Kit - cpl. (30-35cm)		1
3	1484319	Headrest Assembly Fastener Kit		1
4	1451314	Headrest Assy (Covered)		1
5	1450703-0216	Headrest Support Post Assy		1
6	1484784	Headrest Bracket Assy (25-30cm)		1
7	1484783	Headrest Bracket Assy (30-35cm)		1

Tray Tables



Pos.	Part number	Description	Valid from → until	Qty
1	1436887	Tray, RH, Cut Out 35/40cm		1
2	1436885	Tray, LH, Cut Out 35/40cm		1
3	1441739	Tray Table Mounting Bracket Kit		1
4	SP04461	Tray, LH, Cut Out 25-30 cm		1
5	SP04462	Tray, RH, Cut Out 25-30 cm		1
6	1485047	Tray 480 Blitz		1
7	SP04765	Tray 480mm, Without Cutout, RH / LH		1
8	SP04767	Tray 540mm, Without Cutout, RH / LH		1

Transportation Options



Pos.	Part number	Description	Valid from → until	Qty
1	1451316	Front Tie Down Kit		1
2	Z163006A	Metal Buckle Lap Belt		1



Yes, you can.®



Belgium & Luxemburg:

Invacare nv, Autobaan 22, B-8210 Loppem
Tel: (32) (0)50 83 10 10, Fax: (32) (0)50 83 10 11
belgium@invacare.com

Danmark:

Invacare A/S, Sdr. Ringvej 37, DK-2605 Brøndby
Tel: (45) (0)36 90 00 00, Fax: (45) (0)36 90 00 01
denmark@invacare.com

Deutschland:

Invacare Aquatec GmbH, Alemannenstraße 10, D-88316 Isny
Tel: (49) (0)75 62 7 00 0, Fax: (49) (0)75 62 7 00 66
info@invacare-aquatec.com

European Distributor Organisation:

Invacare, Kleiststraße 49, D-32457 Porta Westfalica
Tel: (49) (0)57 31 754 540, Fax: (49) (0)57 31 754 541
edo@invacare.com

España:

Invacare SA, c/Areny s/n, Polígon Industrial de Celrà, E-17460 Celrà (Girona)
Tel: (34) (0)972 49 32 00, Fax: (34) (0)972 49 32 20
contactsp@invacare.com

France:

Invacare Poirier SAS, Route de St Roch, F-37230 Fondettes
Tel: (33) (0)2 47 62 64 66, Fax: (33) (0)2 47 42 12 24
contactfr@invacare.com

Ireland:

Invacare Ireland Ltd, Unit 5 Seatown Business Campus, Seatown Road, Swords, County Dublin - Ireland
Tel: (353) 1 810 7084, Fax: (353) 1 810 7085
ireland@invacare.com

Italia:

Invacare Mecc San s.r.l., Via dei Pini 62, I-36016 Thiene (VI)
Tel: (39) 0445 38 00 59, Fax: (39) 0445 38 00 34
italia@invacare.com

Nederland:

Invacare BV, Celsiusstraat 46, NL-6716 BZ Ede
Tel: (31) (0)318 695 757, Fax: (31) (0)318 695 758
nederland@invacare.com, csede@invacare.com

Norge:

Invacare AS, Grensesvingen 9, Postboks 6230, Etterstad, N-0603 Oslo
Tel: (47) (0)22 57 95 00, Fax: (47) (0)22 57 95 01
norway@invacare.com, island@invacare.com

Österreich:

Mobitec Mobilitätshilfen GmbH, Herzog Odilostrasse 101, A-5310 Mondsee
Tel: (43) 6232 5535 0, Fax: (43) 6232 5535 4
office@mobitec-austria.com, austria@invacare.com

Portugal:

Invacare Lda, Rua Senhora de Campanhã 105, P-4369-001 Porto
Tel: (351) (0)225 1059 46147, Fax: (351) (0)225 1057 39
portugal@invacare.com

Sverige & Suomi:

Invacare AB, Fagerstagatan 9, S-163 91 Spånga
Tel: (46) (0)8 761 70 90, Fax: (46) (0)8 761 81 08
sweden@invacare.com, finland@invacare.com

Switzerland:

Mobitec Rehab AG, Benkenstrasse 260, CH-4108 Wittenswil
Tel: (41) (0)61 487 70 80, Fax: (41) (0)61 487 70 81
office@mobitec-rehab.ch, switzerland@invacare.com

United Kingdom:

Invacare Ltd, South Road, Bridgend Industrial Estate, UK-Bridgend CF31 3PY
Tel: (44) (0)1656 664 321, Fax: (44) (0)1656 667 532
UK@invacare.com