

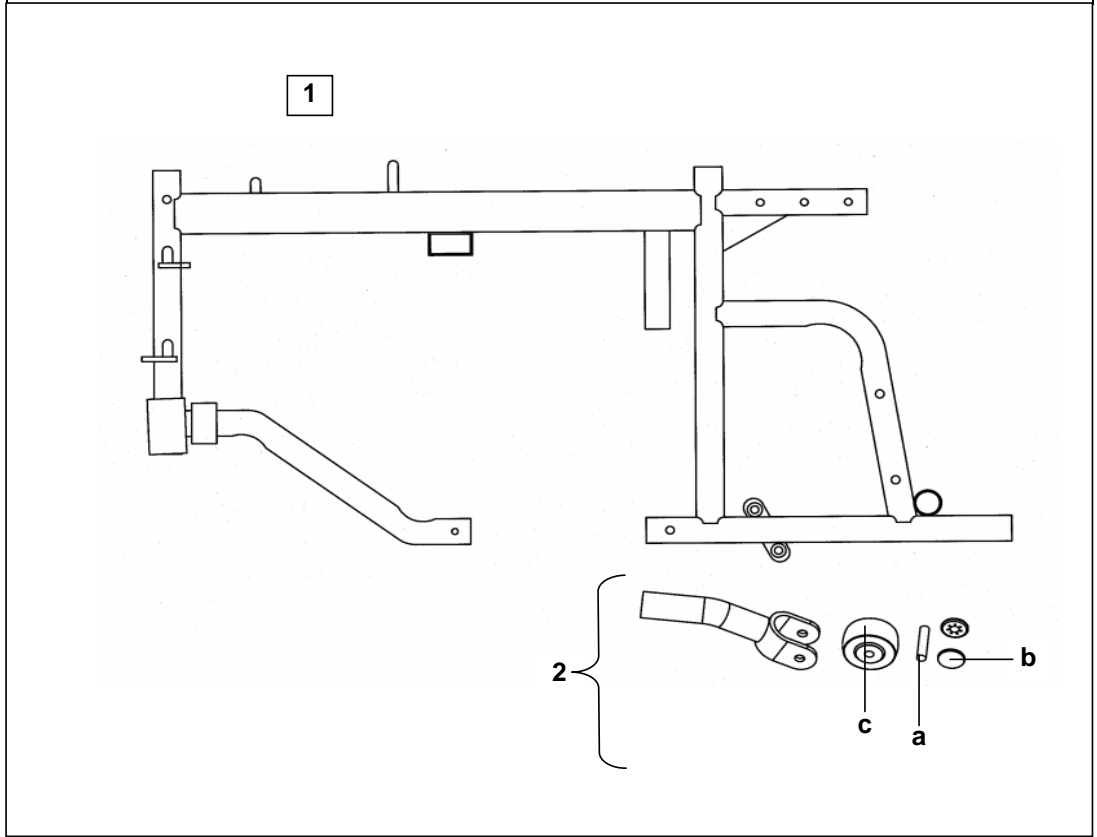
CONTENTS

DESCRIPTION	PAGE NO.
Side Frame Assembly	1
Cross Brace Assemblies	2
Backrest Mounting Bracket	3
Tension Adjustable Backrest Assembly	4
Integral Backpost Support Assembly	5
Backpost Support Assembly - FIRM UPHOLSTERY	6
Upholstered Backrest Assembly - FIRM UPHOLSTERY	7
Seat Upholstery - FIRM	8
Armrest Support - Standard	9
Armrest Support - Outrigged	10
Side Panels and Armpads	11
Headrests - FIRM UPHOLSTERY	12
Pommel Assembly	13
Trunk Support	14
Backrest Recline - Manual	15
Backrest Recline - Powered	16
Straps	17
Controller - PILOT INTEGRAL - 50amp	18
Controller - PILOT+	19
Controller - Dynamic DL	20
Controller - Dual / Attendant	21
Controller - Chin and Centre	22
Controller - Joystick Knobs	23
Controller - Drop Down Mounting	24
Controller - Swing Away Mounting	25
Tray Assembly	26
Footrest Hangers - Standard, Short, 90°	27
Footrest Extension 1 - Standard, Adjustable Angle	28
Footrest Extension 2 - Ultra Adjustable Angle	29
Footrest Extension - ADAPT	30
Footrest Accessories - Toe and Heel Loops	31
Elevating Legrests	32
Kerb Climbers Hanger Assembly - OUTRIGGED	33
Kerb Climbers - CENTRAL	34
Motor/Gearbox Unit	35
Castor Fork Wheels	36
Rear Wheels	37
Parking Brakes	38
Battery Carrier Tray - Front	39
Battery Carrier Tray - Rear	40
Battery Box - FRONT	41
Battery Box - REAR	42
Battery Boxes - Powered Recliner - REAR	43
Battery Boxes - Powered Recliner - FRONT	44
Battery Charger	45
Transportation Restraint Kit	46
Motor Plugs And Sockets	47
Powerpole Connectors	48
Clamping Devices - Handwheels	49
Tube Plugs	50

1 SIDE FRAME ASSEMBLIES 1

HARRIER HD MC45

WITH DETACHABLE ANTI-TIP DEVICE



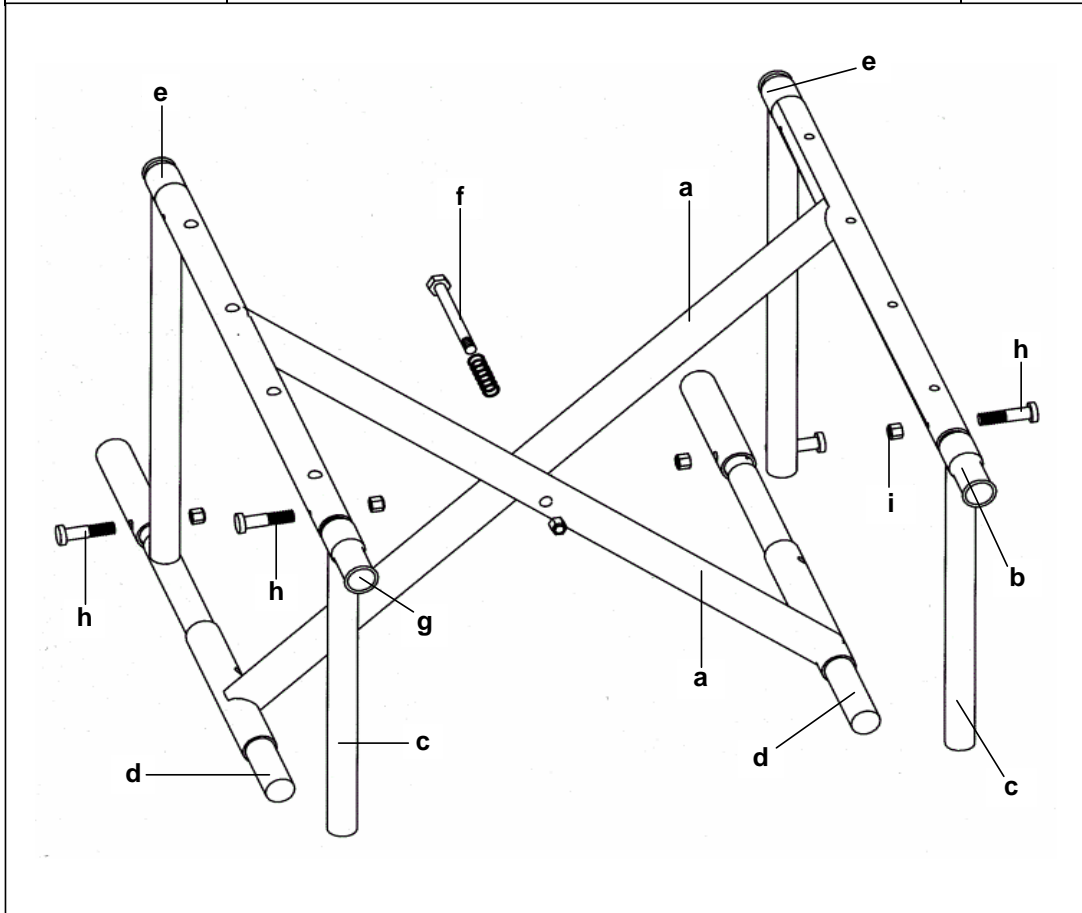
SIDE FRAME (Not including Anti-Tip assembly)

ITEM	DESCRIPTION	FINISH	RIGHT HAND	LEFT HAND
1	COMPLETE ASSEMBLY	BLACK	23002289 P4	23002290 P4

ITEM	DESCRIPTION	PART NO
2	ANTI-TIP ASSEMBLY	30000117
a	Pin - 6mm	20001241
b	Starlock Capped 2 Required	00915536
c	Anti-Tip Buffer Wheel	BLACK H9 / 921

HARRIER HD

MC45

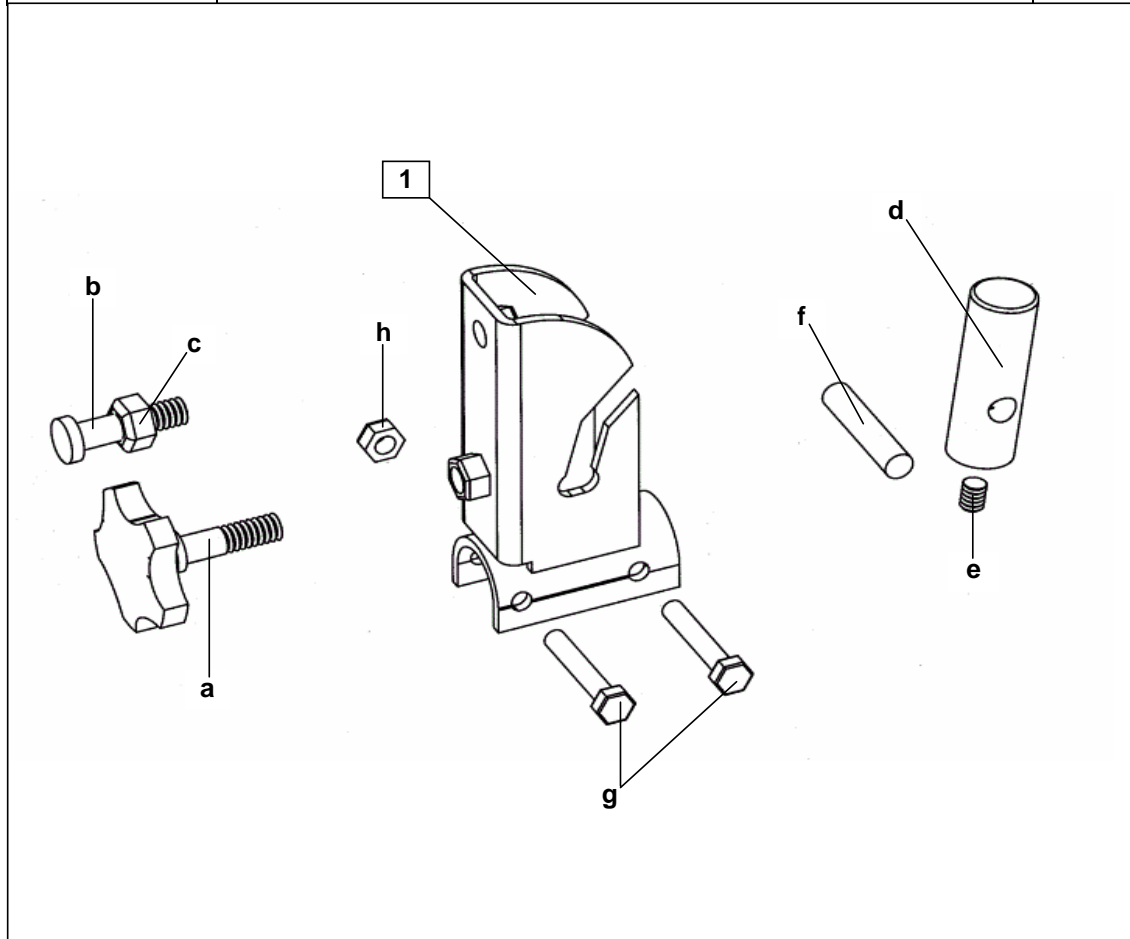


ITEM	DESCRIPTION	FINISH	RIGHT HAND	LEFT HAND
a	CROSS BRACE 46cm (18")	BLACK	26003722	26003723

ITEM	DESCRIPTION	FINISH	PART No
b	Seat Inner Rail - Front and Rear	BLACK	26003703
c	Front Post Slide Assembly	CHROME	26003701
d	Bottom Inner Rail		90273221
e	Rear Post Slide	CHROME	26003702
f	Pivot Kit (Bolt - Nut - Washer - Spring)		24009883
g	Tube End Plug - Round 19mm	BLACK	00959935
h	Bolt - M5 x 28 Hex Head		005819
i	Nut - M5 Nyloc Thin BZP		007948

HARRIER HD

MC45



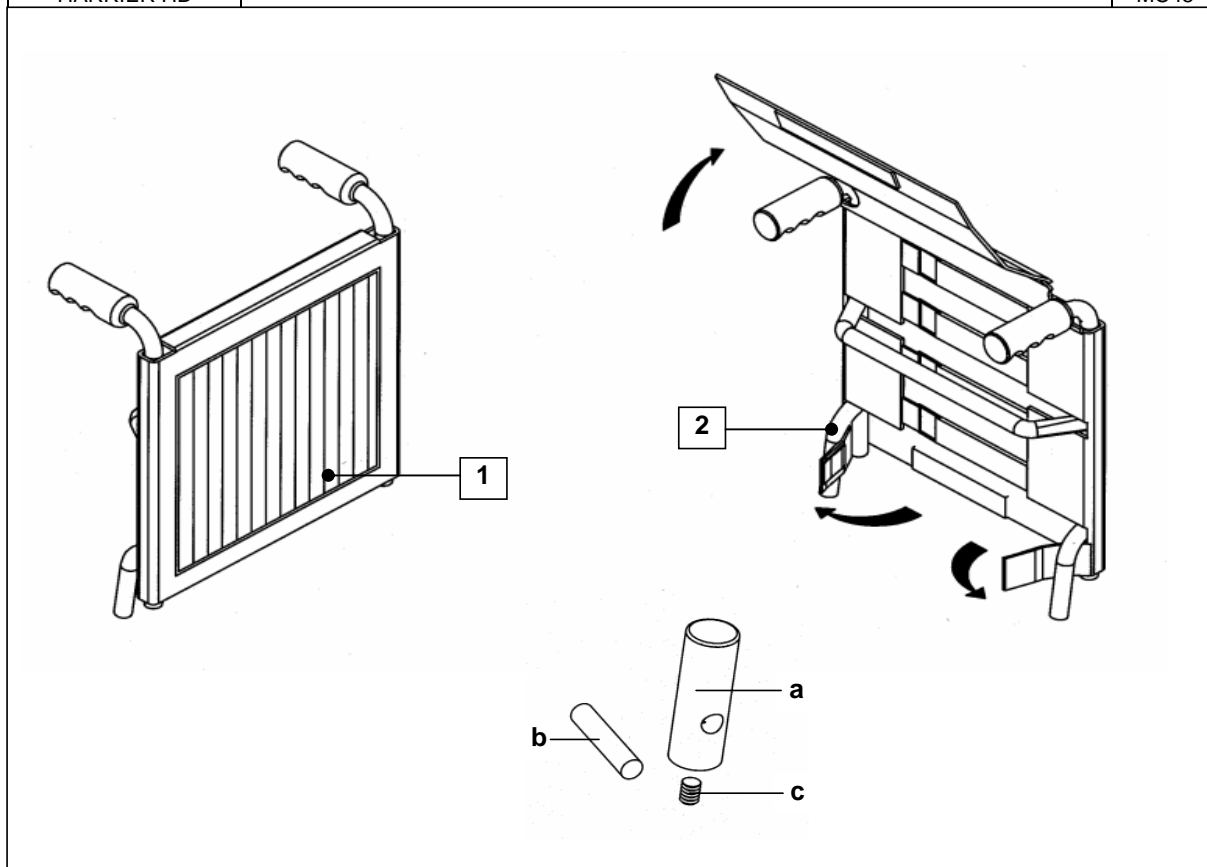
ITEM	DESCRIPTION	FINISH	PART NO
1	Back Post Mounting Bracket	BLACK	26003704

ITEM	DESCRIPTION	PART NO
a	Handwheel - M.8 x 25	90288161
b	Screw - Pan Head - Poz M8 x 30	00007840
c	Nut -Plain BZP M.8 Hex	0008907

ITEM	DESCRIPTION	PART NO
d	Reinforcing Plug	20001132
e	Mills Pin - 8 x 30	90370401
f	Grub Screw - M5 x 10	00007986
g	Bolt - M6 x 10	00007635
h	Nut - M6 Nyloc	00007955

HARRIER HD

MC45

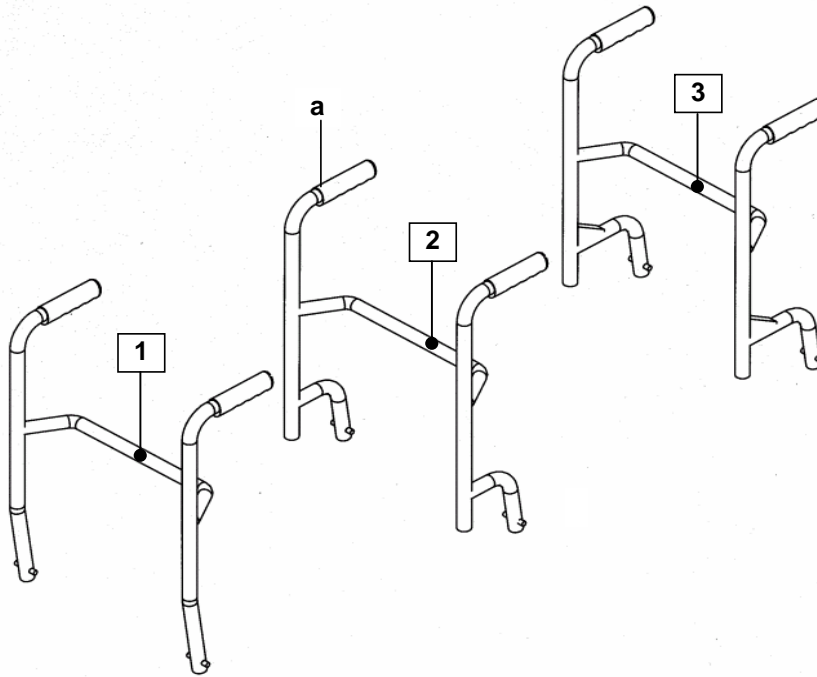


ITEM	DESCRIPTION	46 cm (18")	
1	Tension Adjustable Backrest Upholstery	26003814	

ITEM	DESCRIPTION	46 cm (18")	
2	Backrest Support Assembly BLACK	26003805	

ITEM	DESCRIPTION	PART NO	
a	Reinforcing Plug	20001132	
b	Mills pin - 8 x 30	* 10 Quantity	90370401
c	Grub Screw - M5 x 10	* 10 Quantity	00007986

WITH SLUNG UPHOLSTERY



BACKREST FRAME FITTED PUSH HANDLES

ITEM	DESCRIPTION	46cm (18")	
1	<u>STANDARD</u> Complete Assembly BLACK	26003775	

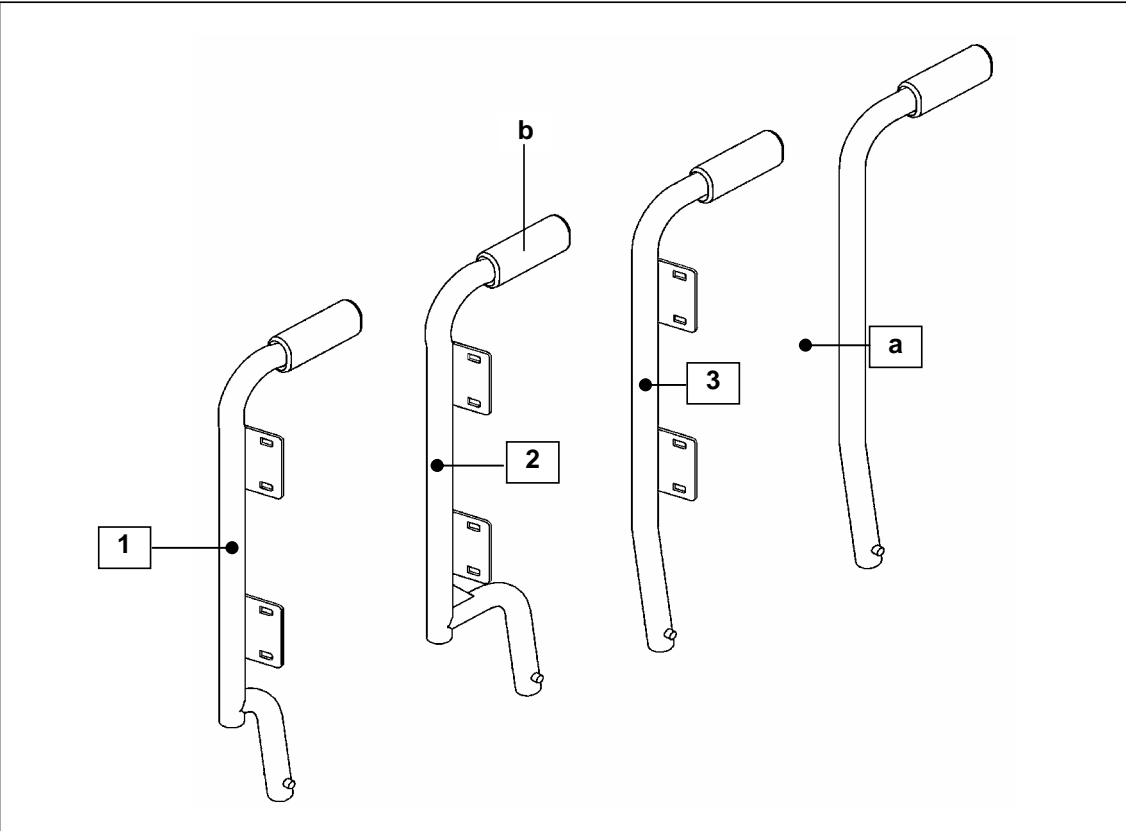
ITEM	DESCRIPTION	46cm (18")	
2	<u>SINGLE SWAN NECK 90mm</u> Complete Assembly BLACK	26003778	

ITEM	DESCRIPTION	46cm (18")	
3	<u>DOUBLE SWAN NECK 140mm</u> Complete Assembly BLACK	26003781	

Assembly comes complete with handgrips and reinforcing plug, mills pin and grub screw.

ITEM	DESCRIPTION	PART NO	
a	Handgrip BLACK	L10009	

MODELS FITTED WITH FIRM BACKREST UPHOLSTERY

**Single Swan Neck 90mm**

ITEM	DESCRIPTION	FINISH	RIGHT HAND	LEFT HAND	
1	Complete Assembly	BLACK	26003786	26003785	
a	Complete Assembly Without Backrest Mountings Flanges	BLACK	Not Handed	26002878	

Double Swan Neck 140mm

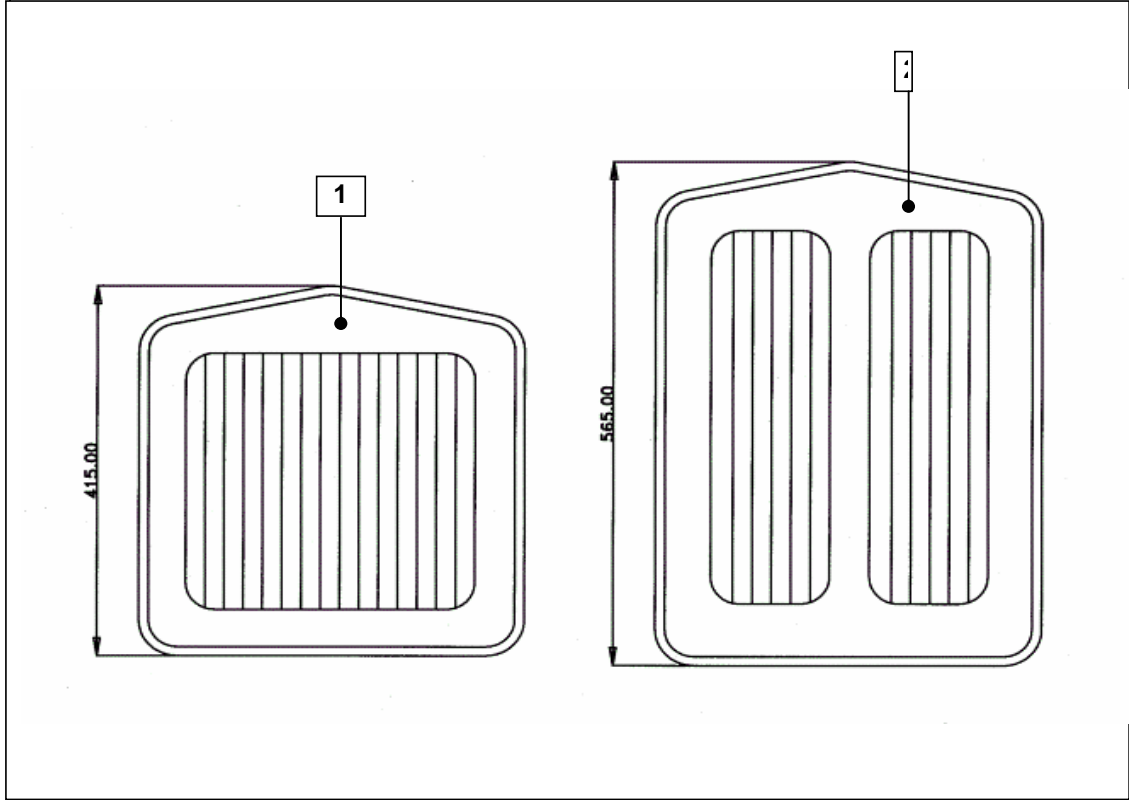
2	Complete Assembly	BLACK	26003788	26003787	
a	Complete Assembly Without Backrest Mountings Flanges	BLACK	Not Handed	26002879	

Standard

3	Complete Assembly	BLACK	26003784	26003783	
a	Complete Assembly Without Backrest Mountings Flanges	BLACK	Not Handed	26003782	

ITEM	DESCRIPTION	FINISH	PART NO	
b	Handgrip	BLACK	L10009	

7	UPHOLSTERED BACKREST ASSEMBLY	7
HARRIER HD		MC45
INCLUDING ELECTRIC RECLINING BACKREST		



FIRM UPHOLSTERY

ITEM	DESCRIPTION	46 cm (18")	
1	Complete Assembly - <i>Standard Height (415mm)</i>	26003492 26003492	
2	Complete Assembly - <i>Extended Height (565mm)</i>	26003495 26003495	

COLOUR OPTION CODE

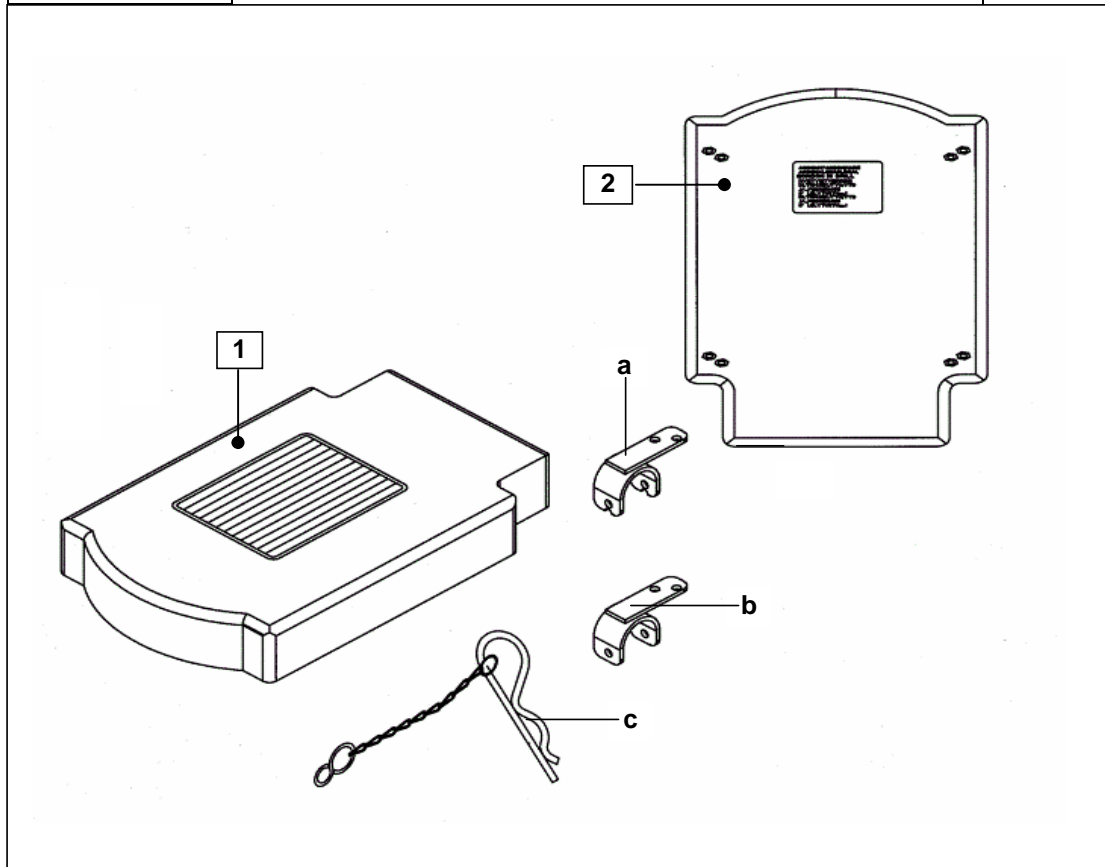
BKB	BLACK - BIRD
-----	--------------

BKJ	BLACK - JEMIMA
-----	----------------

**When ordering upholstery, quote the part number and the colour code option after it.
EXAMPLE - 26003810BKB**

HARRIER HD

MC45



MODELS FITTED WITH FIRM UPHOLSTERY

ITEM	DESCRIPTION	46cm (18")
1	COMPLETE ASSEMBLY- <i>less brackets</i>	26003199
2	UPHOLSTERED SEAT BOARD - <i>less brackets</i>	26002845

ITEM	DESCRIPTION	FINISH	PART NO
a	Seat Mounting Bracket	BLACK	26003705
b	Seat Mounting Bracket - (with notch - use with seat board)	BLACK	20001691
c	Clip and Chain		332692

COLOUR OPTION CODE

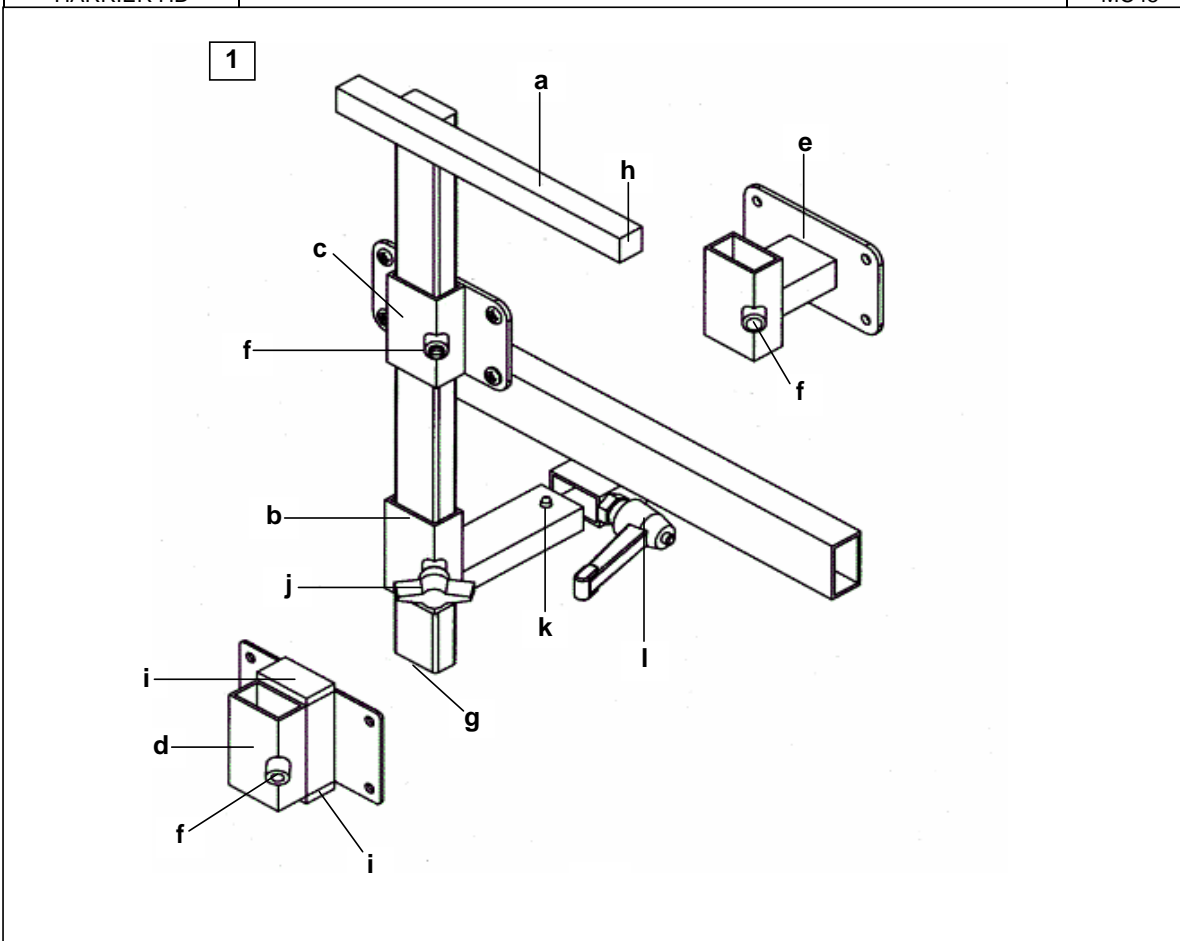
BKB	BLACK - BIRD
-----	--------------

BKJ	BLACK - JEMIMA
-----	----------------

When ordering upholstery, quote the part number and the colour code option after it.
EXAMPLE - 26003810BKB

HARRIER HD

MC45



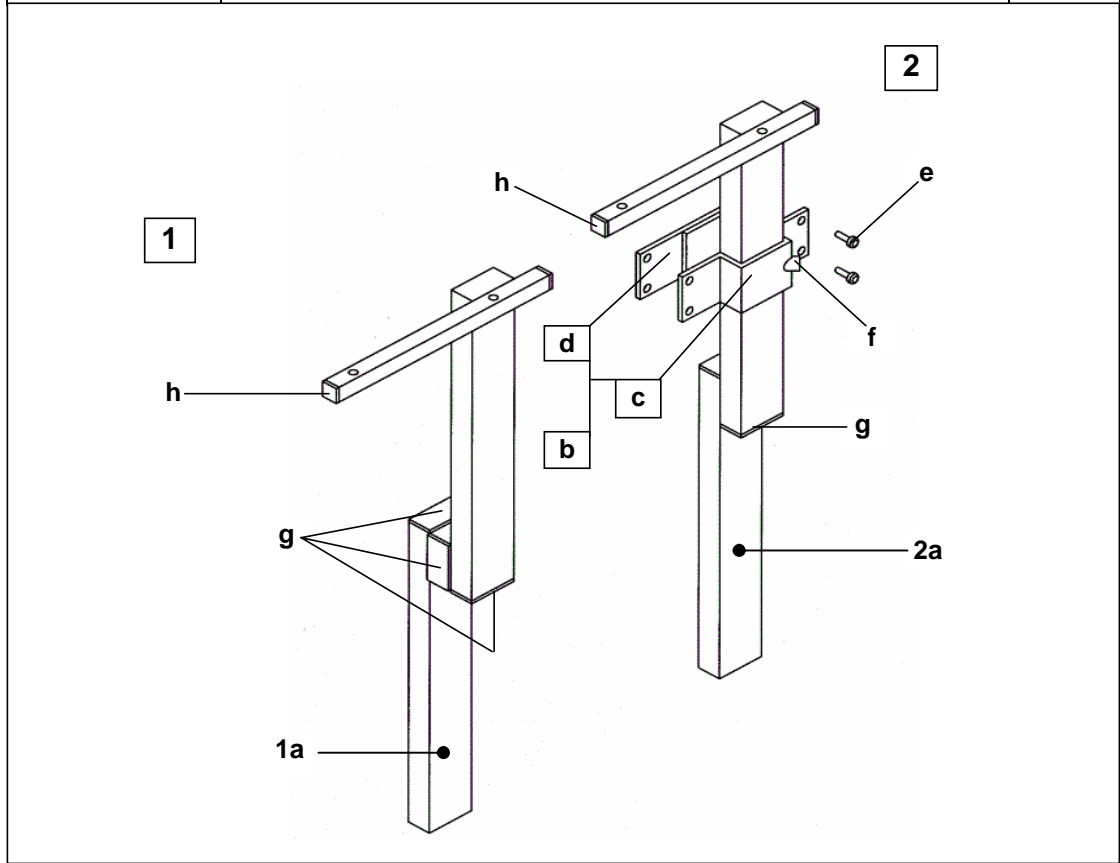
ITEM	DESCRIPTION	FINISH	RIGHT HAND	LEFT HAND
1a	Armrest Support Tube	BLACK	23008656	23008657
b	Transverse Arm Mounting Bracket Assembly.	BLACK	26003708	26003709

ITEM	DESCRIPTION	FINISH	PART NO
c	Panel Mounting Bracket - Single	BLACK	23009051
d	Panel Mounting Bracket - Double 20mm Reduction	BLACK	23009065
e	Panel Mounting Bracket - Treble 40mm Reduction	BLACK	23009067
f	Grub Screw - M8 x 10 *10 Quantity		00007985
g	End Bung - 25mm x 9mm *10 Quantity	BLACK	00959926
h	End Bung - 15mm x 15mm *10 Quantity	BLACK	00959934
i	End Bung - 30mm x 15mm *10 Quantity	BLACK	00959925
j	Wing Screw - M8 x 20		256099
k	Spring Button Lock		010884
l	Locking Lever - M8 x 20 Male Fitting		90892410

10 OUT-RIGGED ARMREST SUPPORT ASSEMBLY 10

HARRIER HD

MC45



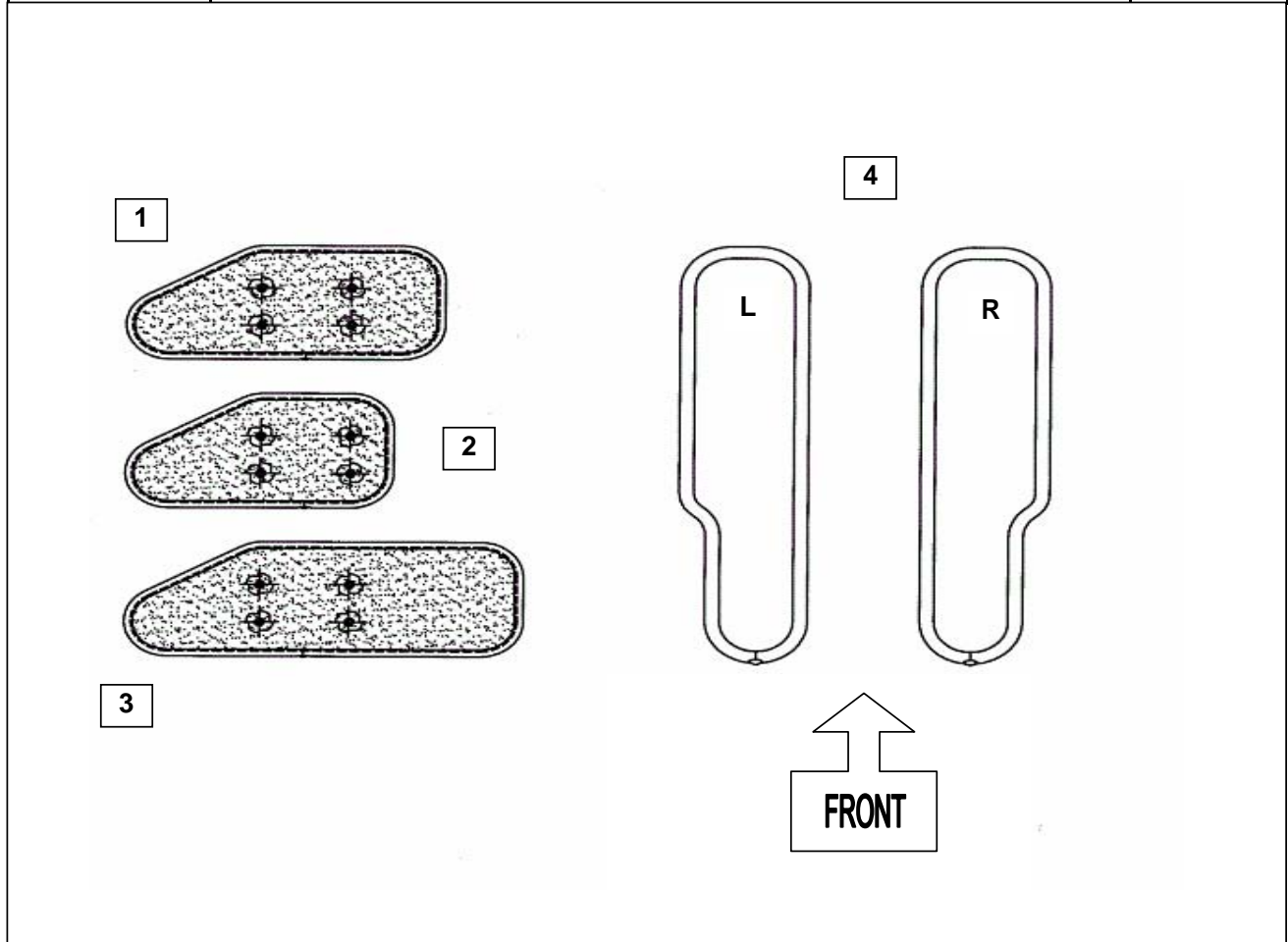
ITEM	DESCRIPTION	FINISH	RIGHT HAND	LEFT HAND
1a	Armrest Support Assembly Out-Rigged - 15mm	BLACK	26002955	26002956
2a	Armrest Support Assembly Out-Rigged - 30mm (Assembly part does not include end bungs, order seperately)	BLACK	26002957	26002958

ITEM	DESCRIPTION	FINISH	PART NO
b	Panel Mounting Kit for Out-Rigged Armrests (including screws)	BLACK	23009058
c	Panel Mounting Bracket - OUTER	BLACK	26002818
d	Panel Mounting Bracket - INNER	BLACK	26002817
e	Screw - M5 x 10 pan head *10 Quantity		25000214
f	Grub Srew - M8 x 10 *10 Quantity		00007985

ITEM	DESCRIPTION	FINISH	PART NO
g	End Bung - 30mm x 15mm *10 Quantity	BLACK	00959925
h	End Bung - 15mm x 15mm *10 Quantity	BLACK	00959934

HARRIER HD

MC45



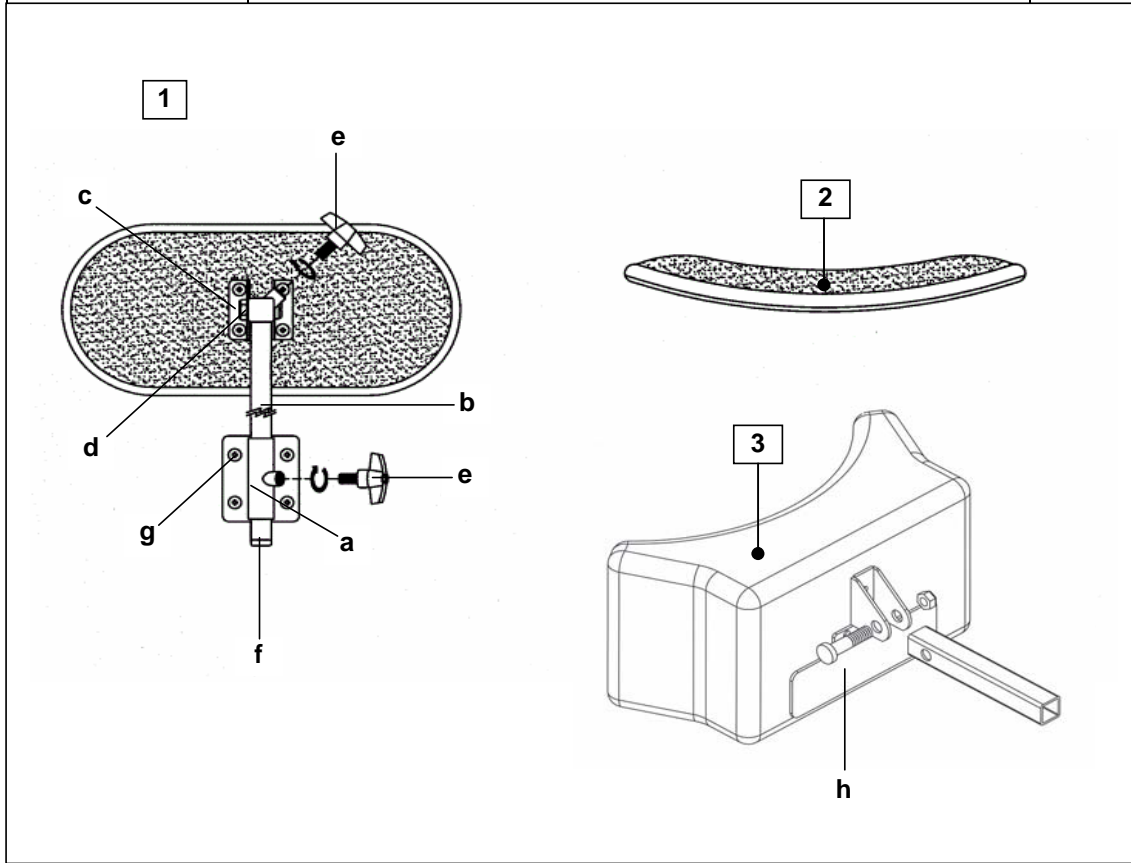
UPHOLSTERED SIDE PANELS

ITEM	DESCRIPTION	RIGHT HAND	LEFT HAND	COST
1	Sidepanel - Short - to fit SINGLE SWAN BACKPOST *	26003220	26003221	12.25
2	Sidepanel - Short Short - to fit DOUBLE SWAN BACKPOST *	26003222	26003223	12.25
3	Sidepanel - Medium - to fit STANDARD BACKPOST *	26003224	26003225	12.25

UPHOLSTERED ARMPADS (IMPORTANT: Order by orientation)

ITEM	DESCRIPTION	RIGHT HAND	LEFT HAND	COST
4	Arm Pad Assembly (* for VINYL)	23008730	23008731	11.55

* Please order upholstery by quoting the colour option code after the part no.- IE: 23008730-BKB = Black-Bird



MODELS FITTED FIRM UPHOLSTERY

ITEM	DESCRIPTION	STANDARD	DEEP
		CURVE 1	CURVE 2
1	Complete Assembly c/w Bracketry	26002200	
3	Complete Assembly c/w Bracketry		26002220
2	Upholstered Headrest Pad	26002210	
3	Moulded (MCP) - Headrest Pad		26002230

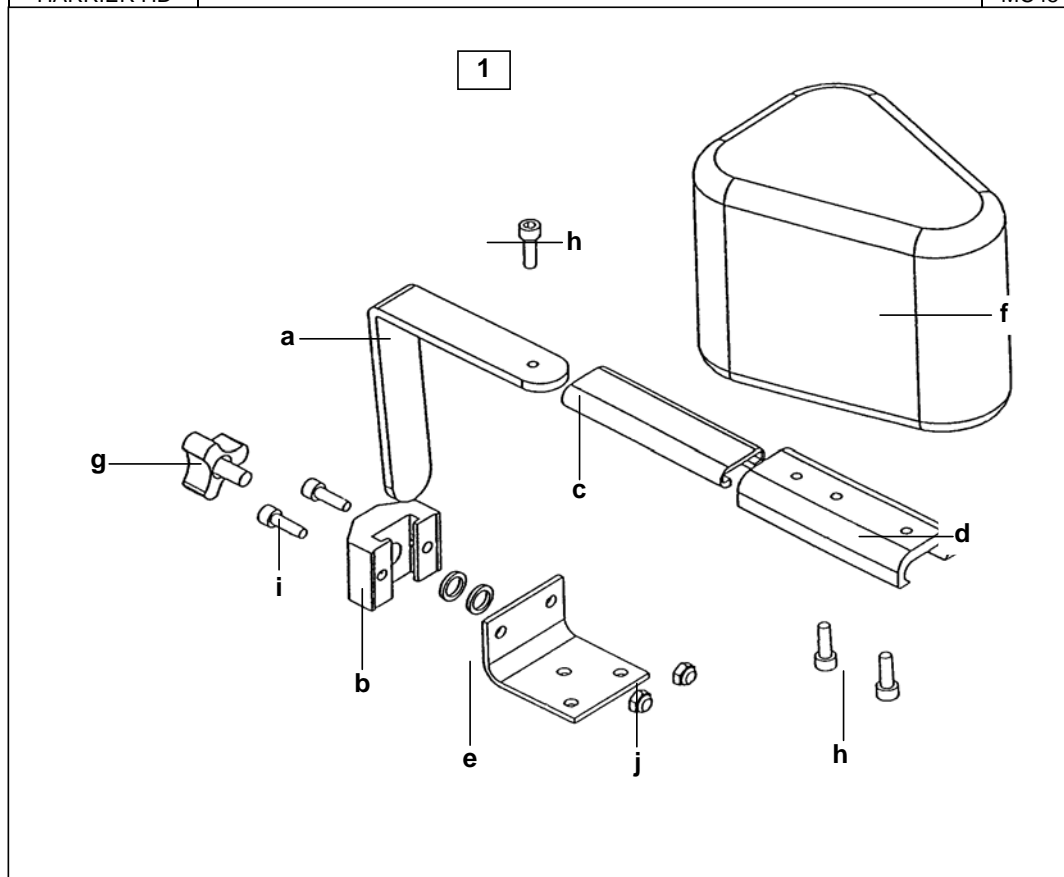
ITEM	DESCRIPTION	FINISH	PART NO
a	Mounting Bracket - (Seat)	BLACK	26002351
b	Locating Tube	BLACK	26002348
c	Swivel Bracket - (same each side)	BLACK	26002349
d	Horizontal Mounting Tube	BLACK	26002347
e	Winged Screw - (Upper & Lower Adjustment)		256099
f	End Bung - 15mm Square	BLACK	00959934
g	Screw - M5 x 10 Pozzi. Pan Head		25000214
h	Mounting Bracket (for Deep Curve 3)	BLACK	26003833

*10 Quantity

COLOUR OPTION CODE

BKB	BLACK - BIRD	BKJ	BLACK - JEMIMA
-----	--------------	-----	----------------

When ordering upholstery, quote the part number and the colour code option after it.
EXAMPLE - 26003810BKB

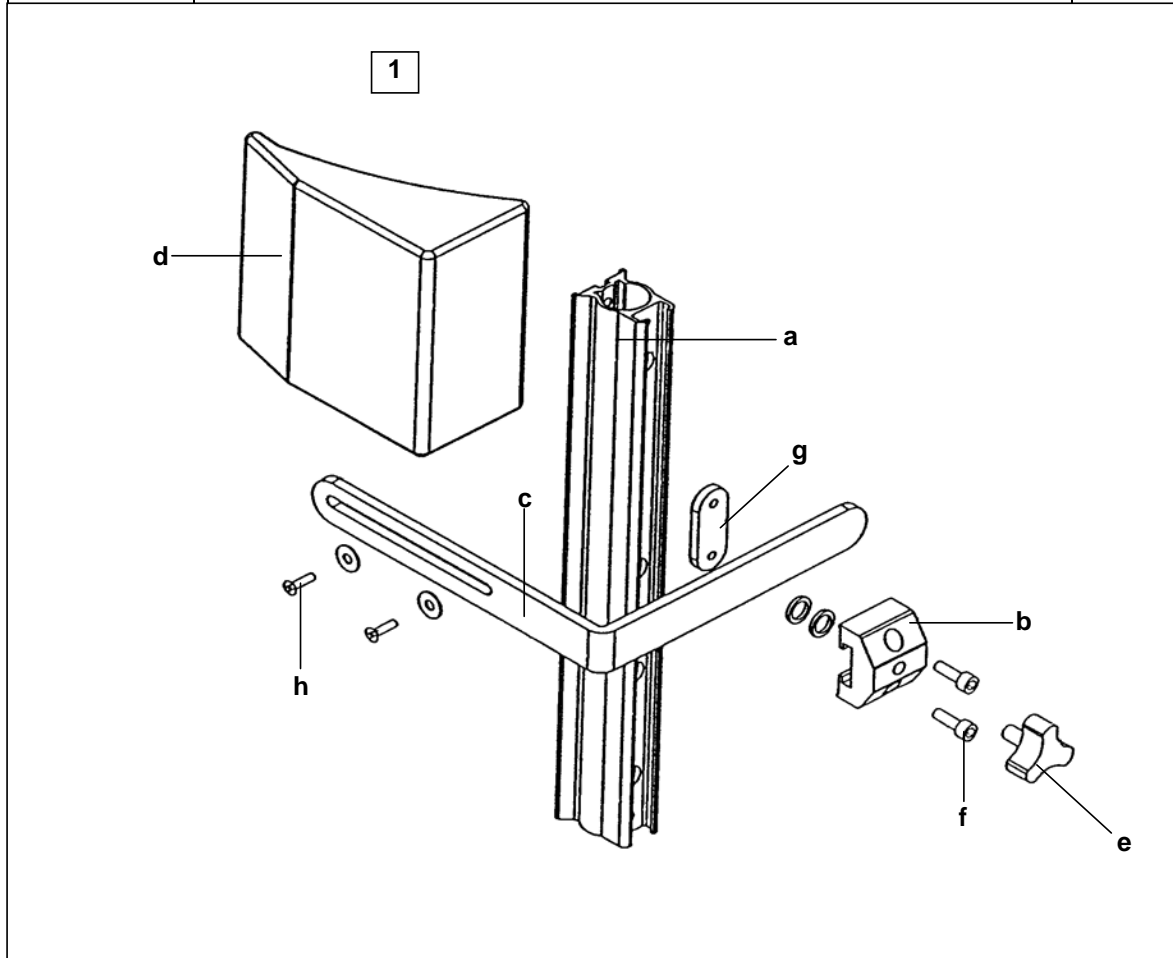


ITEM	DESCRIPTION	PART NO.
1	POMMEL ASSEMBLY COMPLETE <i>State Upholstery Colour Code</i>	26003235

ITEM	DESCRIPTION	PART NO.
a	Support Arm <i>(Rea Stolen Part)</i>	5252375
b	Adjustment Bracket <i>(Rea Stolen Part)</i>	5252376
c	Adjustment Rail - Inner <i>(Rea Stolen Part)</i>	5252374
d	Adjustment Rail - Outer <i>(Rea Stolen Part)</i>	5252373
e	Mounting Bracket (to seat)	23008748
f	Support Pommel Pad <i>State Upholstery Colour Code</i>	26003237
g	Handwheel - M8 x 20 <i>(Rea Stolen Part)</i>	5221115
h	Screw - M6 x 16 <i>(Rea Stolen Part)</i> *10 Quantity	57230123
i	Screw - M5 x 18 <i>(Rea Stolen Part)</i> *10 Quantity	5274182
j	Nut - M6 Nylock *10 Quantity	007955

HARRIER HD

MC45

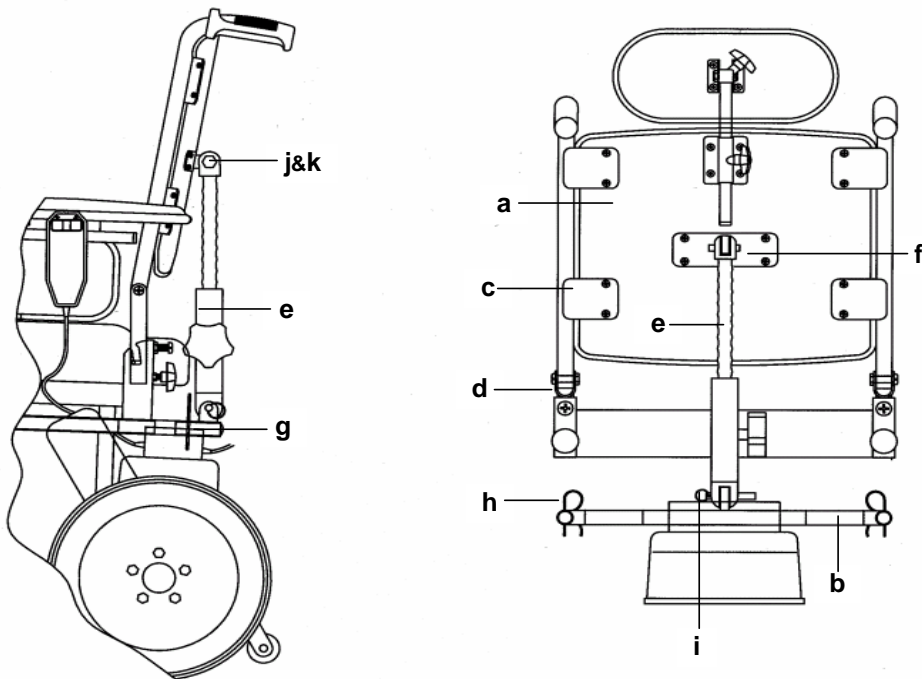


ITEM	DESCRIPTION	PART NO.
1	TRUNK SUPPORT ASSEMBLY (Kit)* State Upholstery Colour Code * Kit comprises of all parts for <u>1</u> side only	26003232

ITEM	DESCRIPTION	PART NO.
a	Support Rail (Rea Stolen Part)	5252204
b	Adjustment Bracket (Rea Stolen Part)	5252131
c	Cushion Support Bracket	26002331
d	Support Pommel State Upholstery Colour Code	26003234
e	Handwheel - M8 x 20 (Rea Stolen Part)	5221115
f	Screw - M6 x 18 (Rea Stolen Part) *10 Quantity	5723049
g	Locking Plate (Rea Stolen Part)	5252150
h	Screw - M4 x 16 *10 Quantity	5274088
i	Screw - M5 x 16 - Pan Hd Pos. *10 Quantity	006882

RECOMMENDED FACTORY FIT

1



QUOTE UPHOLSTERY CODE No. FOR COLOUR OPTION

ITEM	DESCRIPTION	46cm (18")	
1	COMPLETE ASSEMBLY (Not Including Headrest Ass.) Retro - Fit Standard Height Extended Height	26003641 26003642	

ITEM	DESCRIPTION	46cm (18")	
a	Backrest Upholstery - Standard Height (415mm)	26003492	
a	Backrest Upholstery - Extended Height (415mm)	26003495	
b	Cross Bar - Recline Unit Support	26003515	

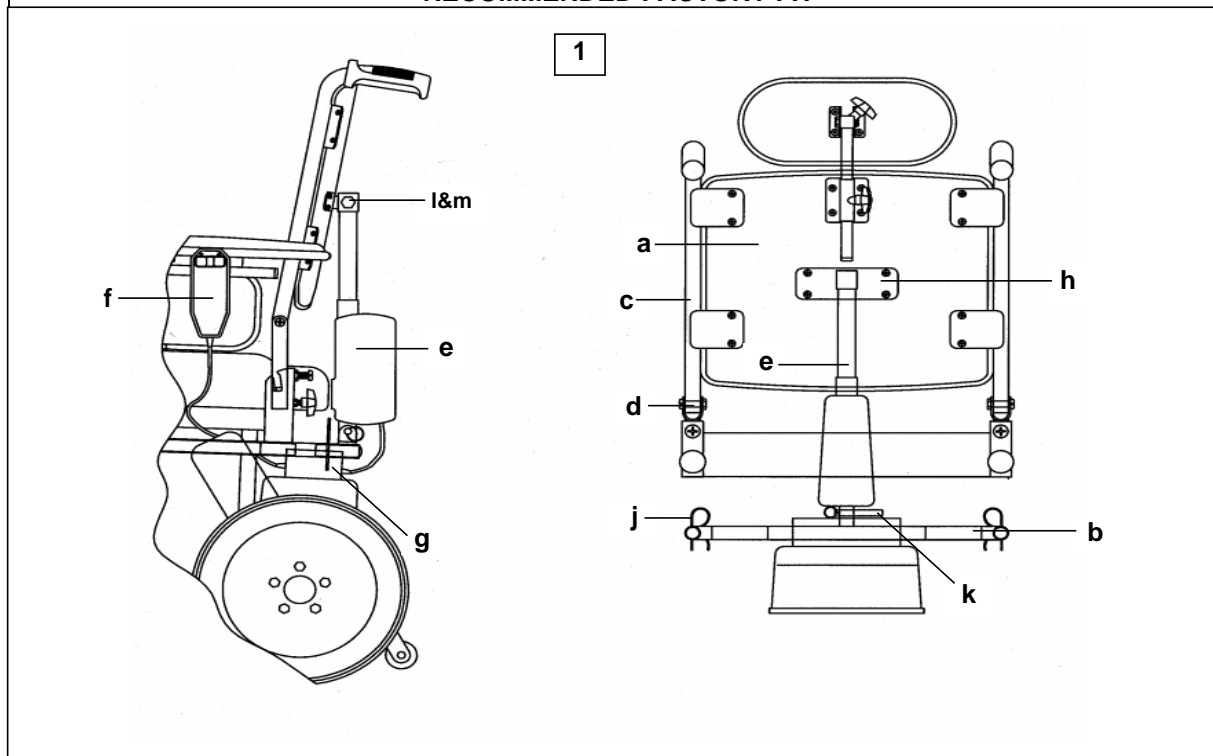
ITEM	DESCRIPTION	RIGHT HAND	LEFT HAND	
c	Backpost Support Assembly Upper	26003498	26003499	
b	Backpost Support Assembly Lower	Not Handed	26003508	

ITEM	DESCRIPTION	PART NO	
e	Recline Unit	5313220	
f	Backrest Bracket - Top Recline Unit Support	26003518	
g	Cross Tube Support Insert	26003519	
h	R - Clip and Insert	332692	
l	Clevis Pin	00007943	
j	Bolt - M10 x 40	00007810	
k	Nut - M10 - Aero Tight	00008909	
	* 10 Quantity		

HARRIER HD

MC45

RECOMMENDED FACTORY FIT



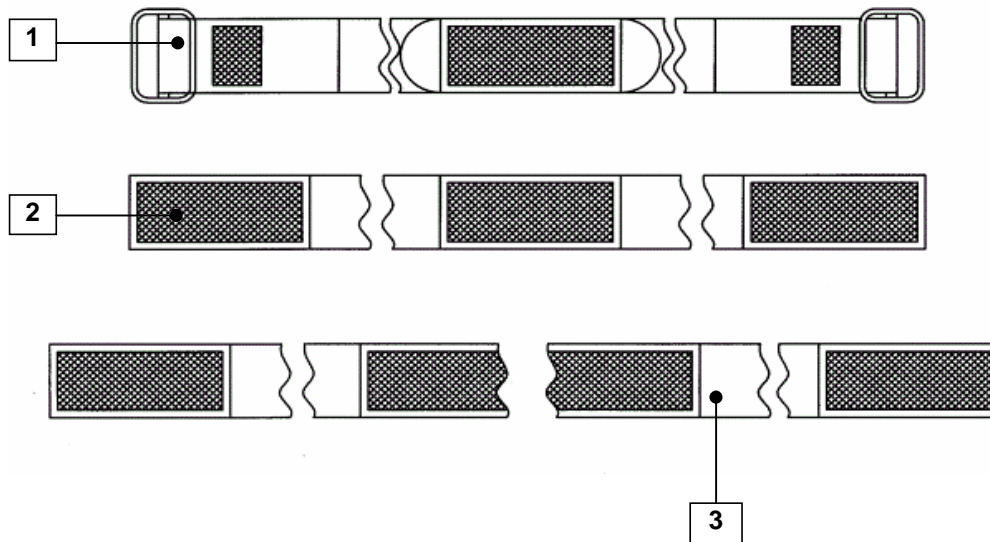
QUOTE UPHOLSTERY CODE No. FOR COLOUR OPTION

ITEM	DESCRIPTION	46cm (18")	
1	COMPLETE ASSEMBLY (Not Including Headrest Ass.) Retro - Fit Standard Height Extended Height	26003610 26003609	

ITEM	DESCRIPTION	46cm (18")	
a	Backrest Upholstery - Standard Height (415mm)	26003492	
a	Backrest Upholstery - Extended Height (415mm)	26003495	
b	Cross Bar - Recline Unit Support	26003515	

ITEM	DESCRIPTION	RIGHT HAND	LEFT HAND	
c	Backpost Support Assembly Upper	26003498	26003499	
d	Backpost Support Assembly Lower	Not Handed	26003508	

ITEM	DESCRIPTION	PART NO	
e	Actuator Assembly - HB41 - 00 - 02 100 Stroke	28000010	
f	Handset Backrest Recline Unit	28000011	
g	Control Board PCB - Actuator	28000013	
h	Backrest Bracket - Top Recline Unit Support	26003518	
i	Cross Tube Support Insert	26003519	
j	R - Clip and Insert	332692	
k	Clevis Pin	00007943	
l	Bolt - M10 x 40	00007810	
m	Nut - M10 - Aero Tight	00008909	
	* 10 Quantity		



ITEM	DESCRIPTION	PART NO
1	Safety Strap (ONE SIZE)	26002539

FRONT BATTERY ASSEMBLY

ITEM	DESCRIPTION	PART NO
2	Battery Carrying Strap 40 AH 860mm long	26002559

REAR BATTERY ASSEMBLY

2	Battery Carrying Strap 40 AH 625mm long	26002573
---	---	----------

ITEM	DESCRIPTION	PART No
3	CALF STRAP (ONE SIZE) 800mm long	99000236

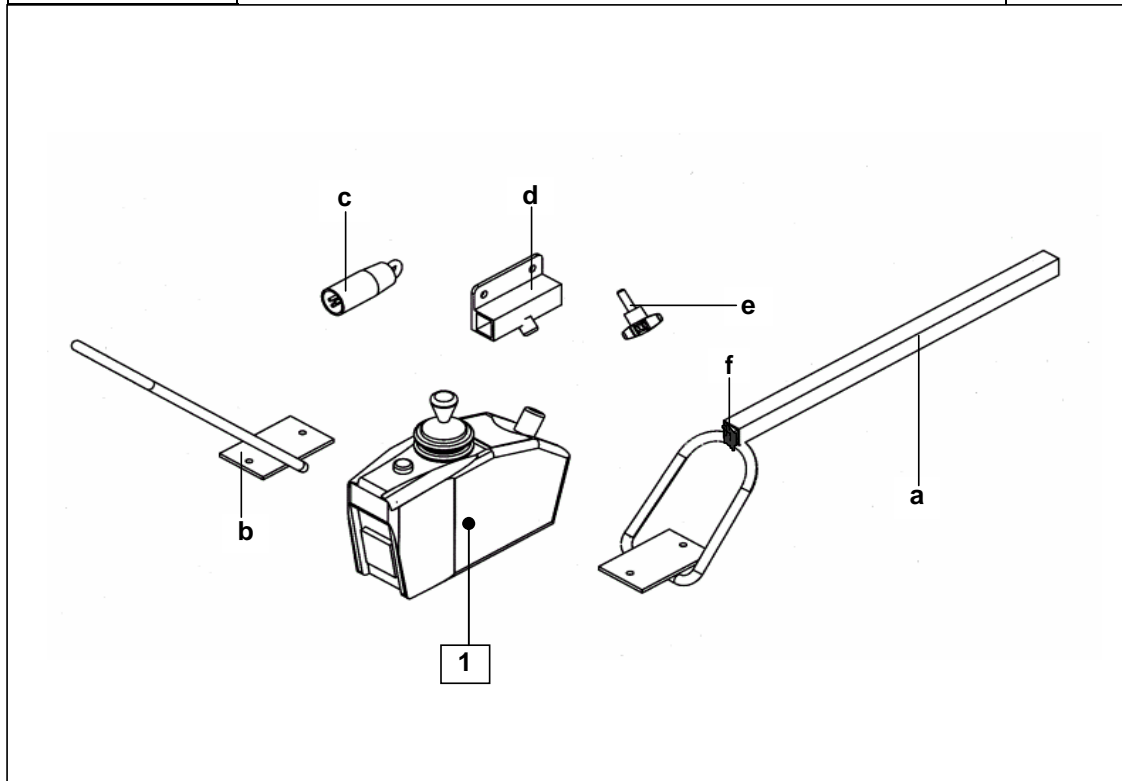
COLOUR OPTION CODE

BKB	BLACK - BIRD	BKJ	BLACK - JEMIMA
-----	--------------	-----	----------------

When ordering upholstery, quote the part number and the colour code option after it.
 EXAMPLE - 26003810BKB

HARRIER HD

MC45

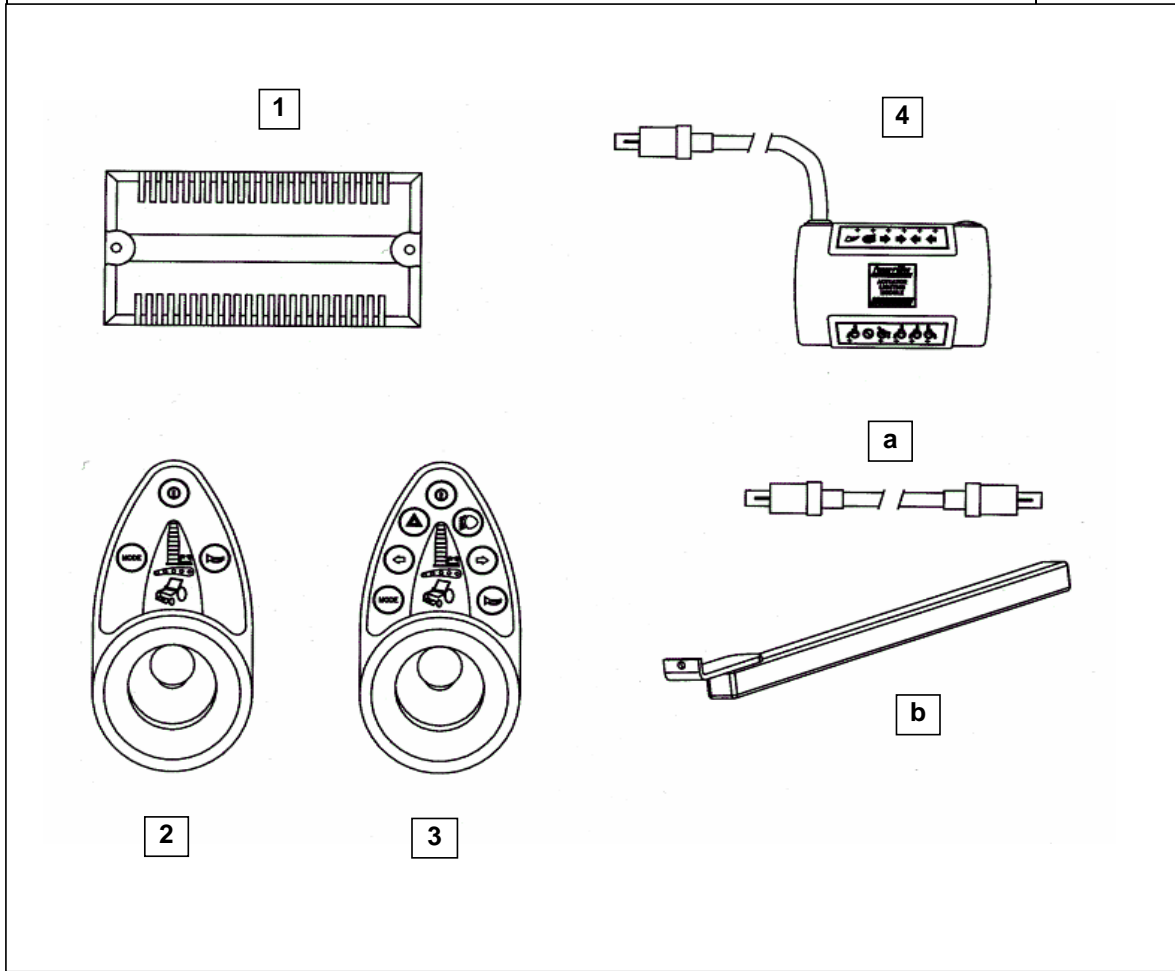


ITEM	DESCRIPTION	PART NO	
	<i>Used on Harrier HD</i>		
1	CONTROLLER UNIT - Penny & Giles PILOT - 50amp Type D49643/3	23008819	

ITEM	DESCRIPTION	PART NO	
a	Controller Mounting Bracket (Universal Not-Handed) BLACK	23008746	
b	Controller Guard BLACK	23008465	
c	Immobiliser Key	30000272	

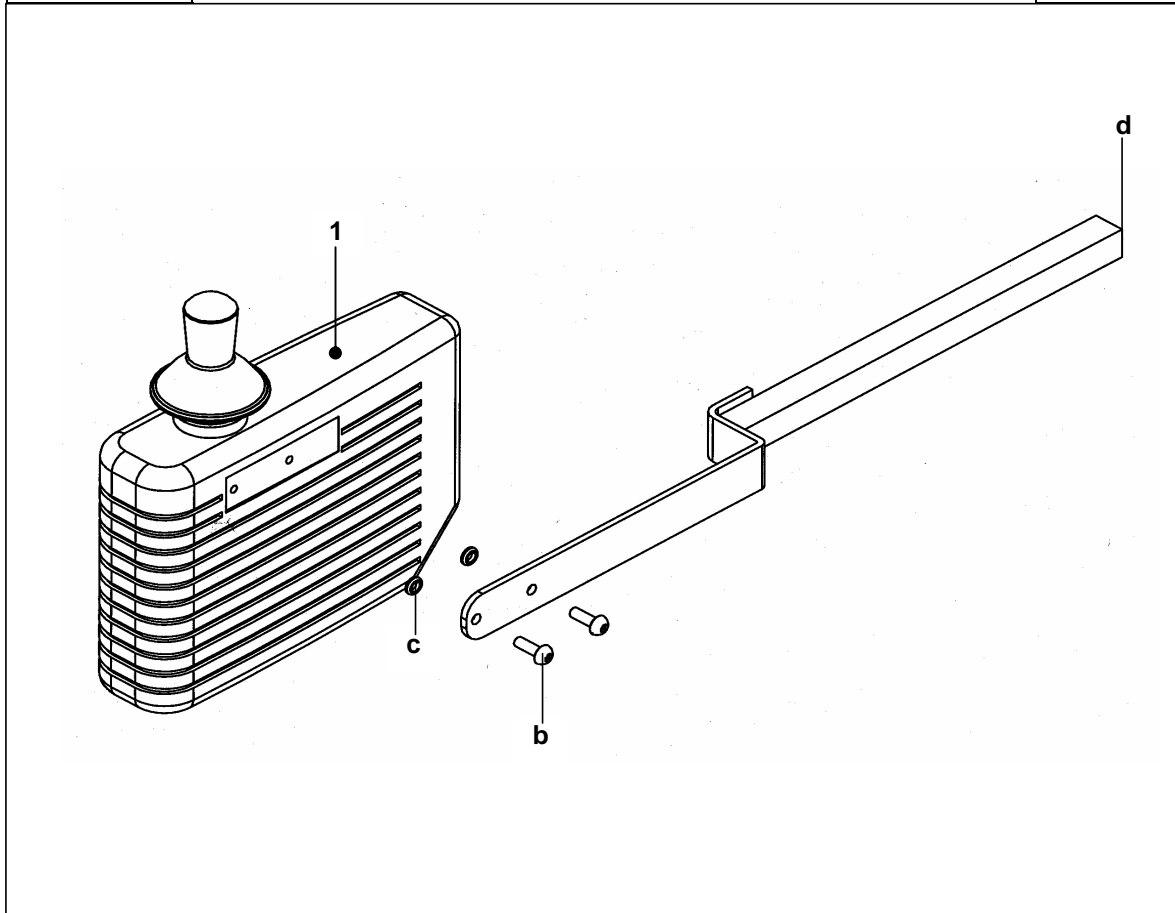
ITEM	DESCRIPTION	PART NO	
d	Slide Mounting Tube BLACK	23008273	
e	Wing Screw - M8	256099	
f	End Bung - 15mm x 15mm BLACK	00959934	

ITEM	DESCRIPTION	PART NO	
N/S	PP1B Controller Programmer Unit Engineering Version	23008818	



ITEM	DESCRIPTION	PART NO
1	Power Module Penny & Giles PILOT + 80amp Type	23008835
2	Joystick Module JSM Standard	30000267
3	Joystick Module JSM - L Actuator Functions	30000268
4	ALM-xL - Actuator Functions	30000271

ITEM	DESCRIPTION	PART NO
a	Cable Assembly (Power Module to Joystick)	30000273
b	Mounting Bracket	23009277

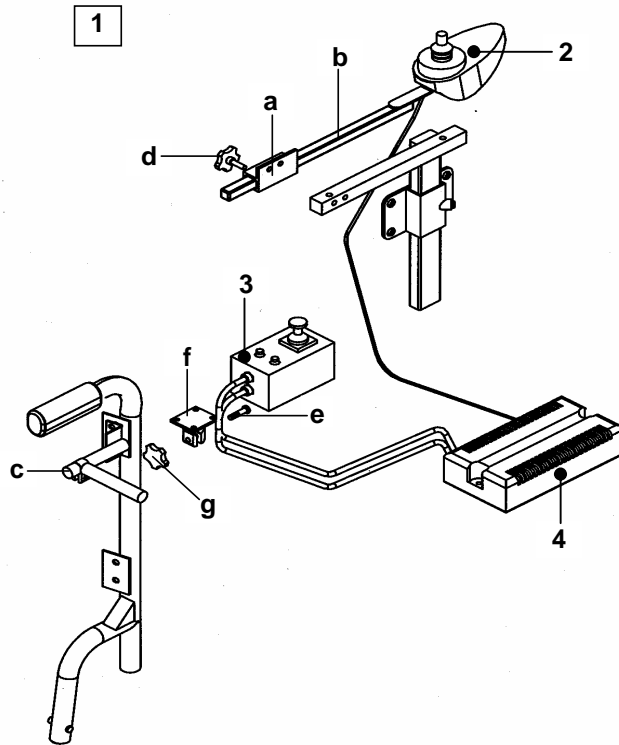


ITEM	DESCRIPTION	PART NO	
1	DYNAMIC DL Integral Controller	6001690	

ITEM	DESCRIPTION	PART NO	
a	Mounting Bracket	23009282	
b	Screw - M5 x 10	* 10 Quantity	25000214
c	Washer - M6	* 10 Quantity	008480
d	Tube Plug - Square - 15mm x 15mm	BLACK	00959934

HARRIER HD

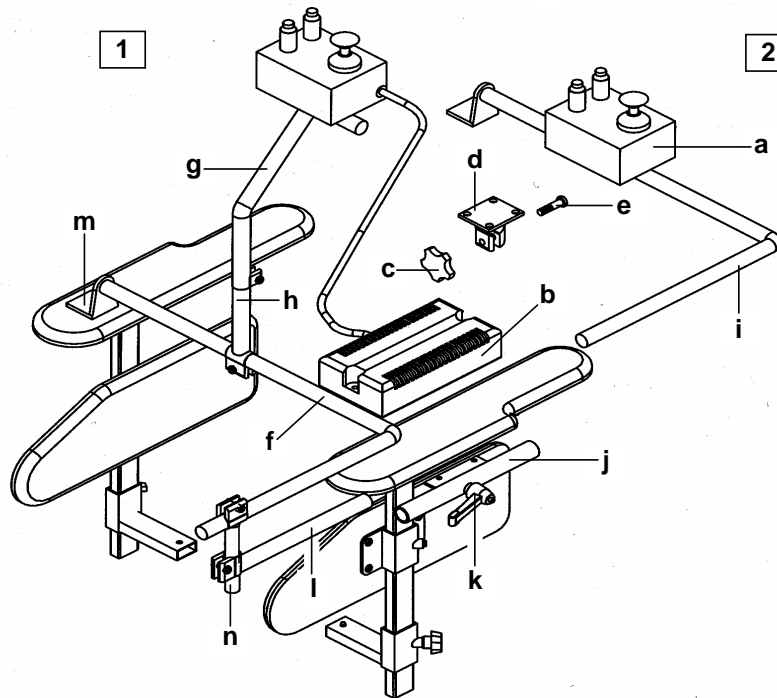
MC45



ITEM	DESCRIPTION	PART NO	
	PILOT +		
1	DUAL & ATTENDANT CONTROL KIT - Complete with Controller Units	60000246	
1	ATTENDANT CONTROL ONLY KIT - Complete with Controller Units	60000244	

ITEM	DESCRIPTION	PART NO	
2	Occupant Remote Control Unit - (JSM - Standard)	30000267	
3	Attendant Control Unit	30000270	
4	Power Module - 80amp	30000266	

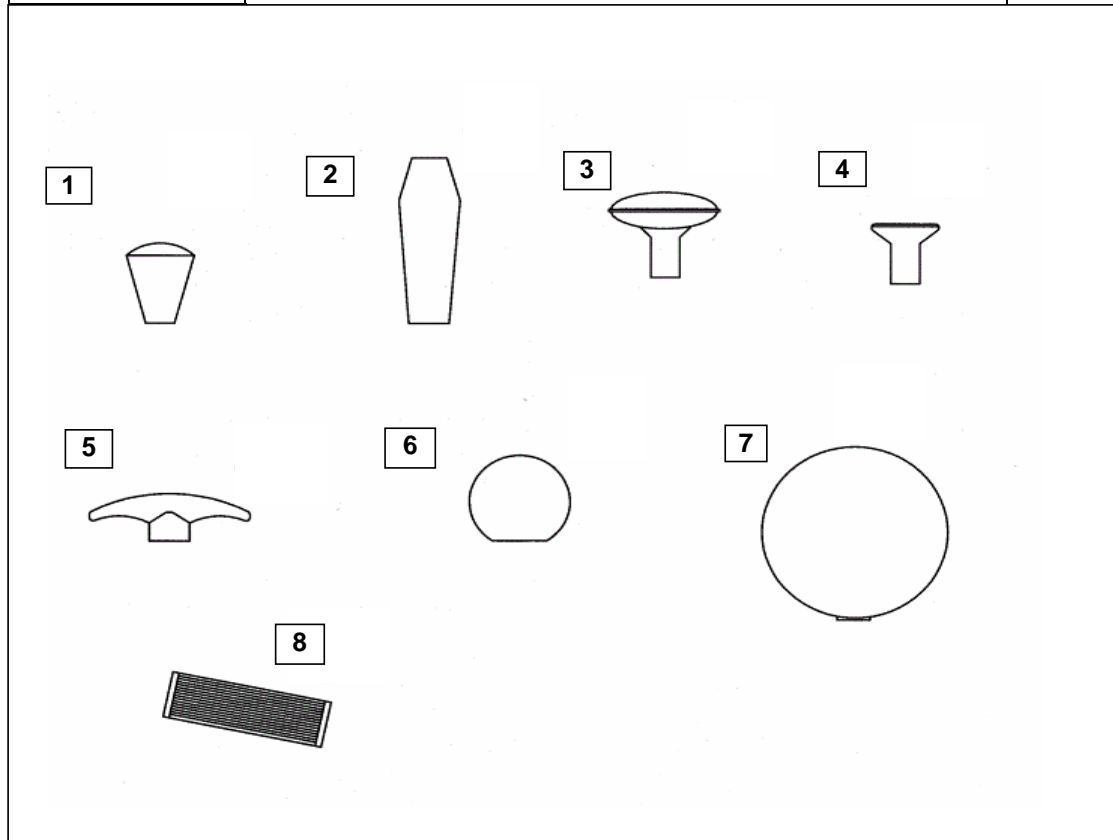
ITEM	DESCRIPTION	PART NO	
a	Slide Mounting Tube	23008274	
b	Mounting Bracket - (Occupant Remote)	23009277	
c	Mounting Bracket - (Attendant Remote)	26002379	
d	Wing Screw - M8 x 15	256099	
e	Clamp Bolt - M8 x 32	2500199	
f	Clamp Plate	23008214	
g	Clamp Knob - M8 (Female)	90288160	



ITEM	DESCRIPTION	PART NO
	<u>PILOT +</u>	
1	CHIN CONTROLLER Kit - Complete with Controller	60000243
2	CENTRE CONTROLLER - Kit Complete with controller (less items h & l)	60000245
a	CENTRE CONTROLLER - Kit (No Controllers) (less items h & l) Joystick Remote Unit	1420255 30000269
b	Power Module - 50amp	30000265
c	Knob - M8 (Female)	90288160
d	Clamp Plate	23008214
e	Clamp Bolt - M8 x 32	25000199
f	Extension Tube	23008445
g	Upper Controller Support Tube	23008451
h	Lower Controller Support Tube	23008454
i	Centre Control Mounting Bracket	23008447
j	Mounting Bracket (Square Arm - 120°)	26002757
j	Mounting Bracket (Square Arm - 90°)	26002759
k	Clamping Lever or Wing Screw	90892410
l	Pivot Tube Assembly	23008440
m	Angle Support Bracket Long	23008226
m	Angle Support Bracket Short	23008444
n	Vertical Support Tube	23008441

HARRIER HD

MC45



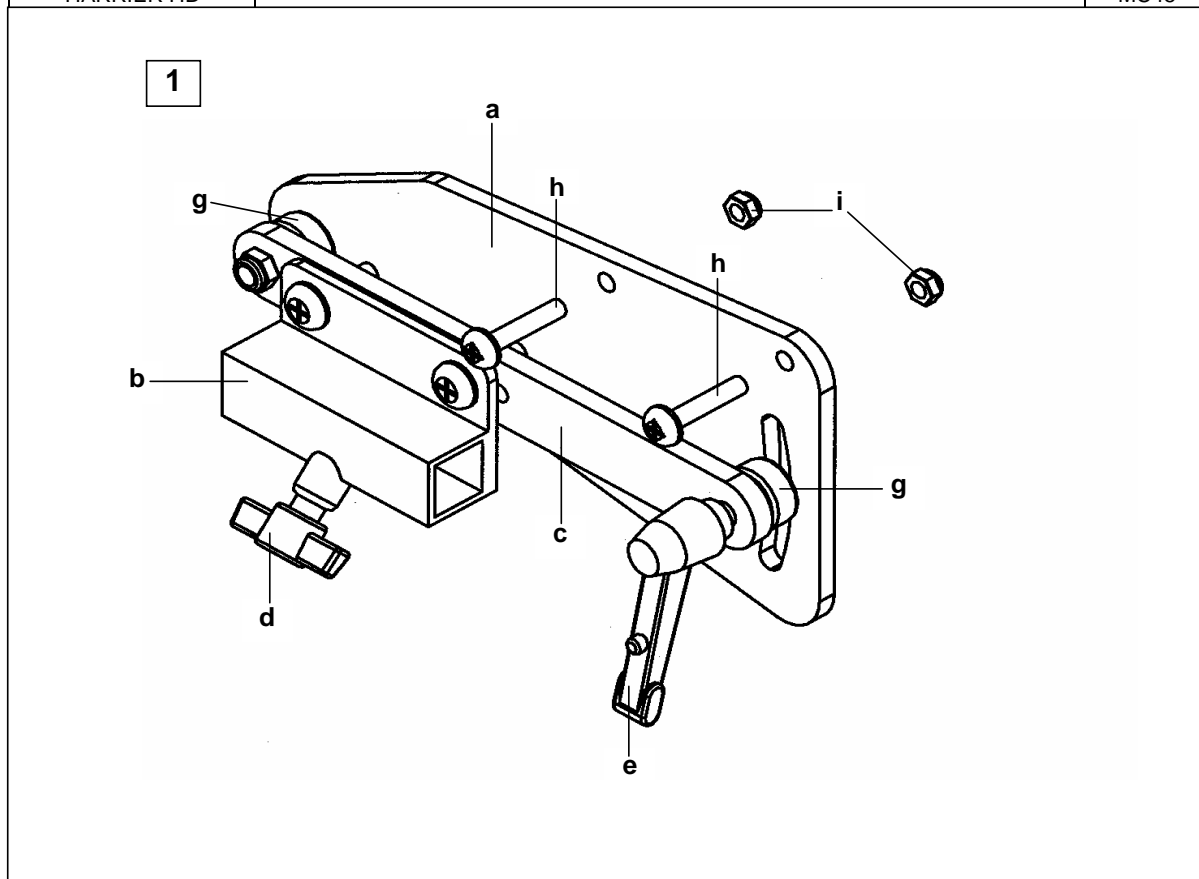
ITEM	DESCRIPTION	PART NO
	<u>ALL PENNY & GILES CONTROLLERS</u>	
1	STANDARD	20001561
2	STICK	23008104
3	MUSHROOM	23008096
4	CHIN	23008094
5	T - BAR	23008098
6	BALL	23008095
7	SOFT BALL	23008097
8	TOLERANCE RING	90010101

***The joystick control knob options shown are approved Penny & Giles components.
The fitting of none approved control knobs is not recommended and may cause hazardous operation.***

***Invacare cannot accept responsibility for items that are fitted which are not approved.
This will also invalidate the warranty.***

HARRIER HD

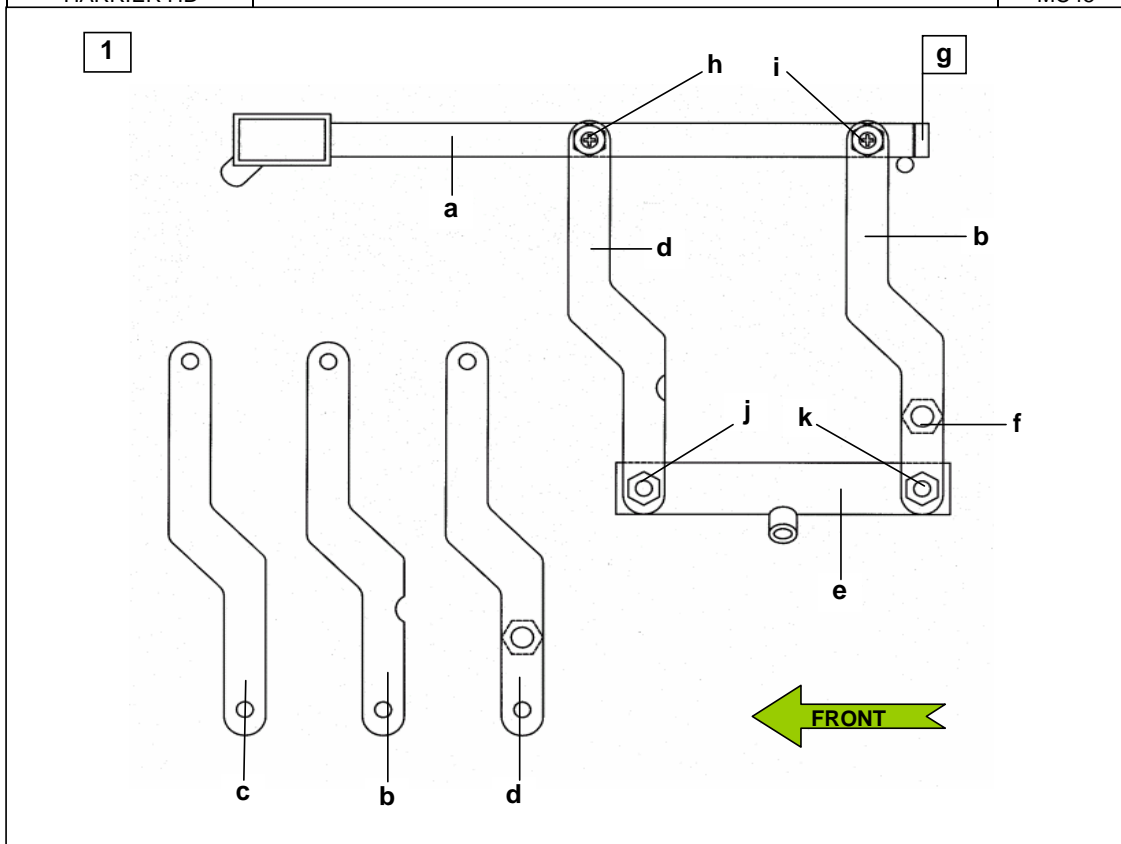
MC45

**BLACK - COMPLETE MOUNTING KIT**

ITEM	DESCRIPTION	PART NO
1	(Not Including Controller Mounting Bracket)	26002388
a	Mounting Guide Plate	26002343
b	Slide Mounting Tube	23008273
c	Main Strut Support Bracket	23008277
d	Wing Screw - M8 x 20	256099
e	Clamping Lever Adj - M6 Female Fitting	90892411
f	Coach Bolt - M6 x 20	90531751
g	Spacer * 10 Quantity	23008016
h	Screw Pan.Pozi Hd - M5 x 25 * 10 Quantity	00007630
i	Nut - M5 Nyloc BZP * 10 Quantity	007955

HARRIER HD

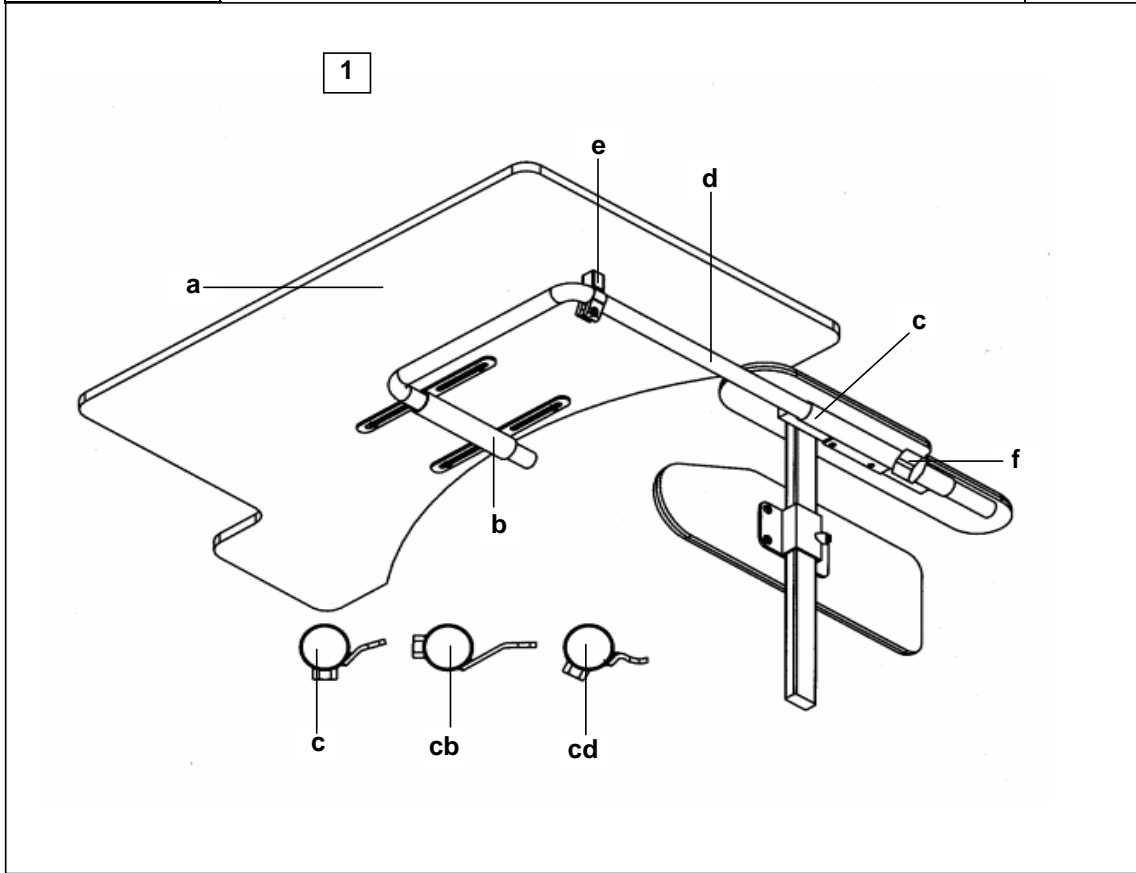
MC45



ITEM	DESCRIPTION	RIGHT HAND	LEFT HAND
1	Complete Assembly - (Not Including Controller)	30000220	30000221

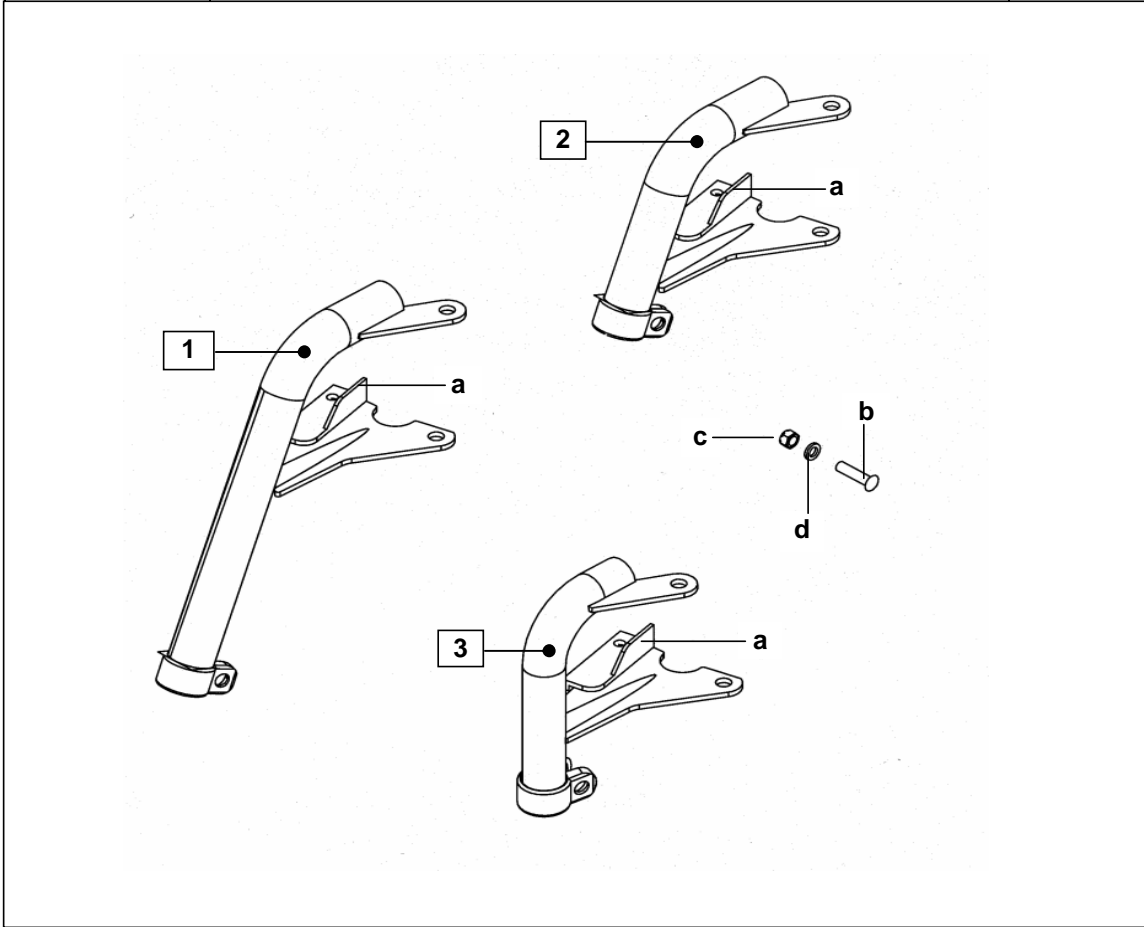
ITEM	DESCRIPTION	RIGHT HAND	LEFT HAND
a	Mounting Arm Assembly	30000229	30000230

ITEM	DESCRIPTION	PART NO
b	Swing out Arm (Notched)	30000226
c	Swing Out Arm - Front-Upper & Back-Upper	30000225
d	Swing out Arm (For Locknut)	30000224
e	Sliding Tube Assembly	30000227
f	Ball Catch	30000223
g	End Bung - 30mm x 15mm	00959925
h	Nut - M6 Self Lock	BLACK 007955
i	Washers - M6	* 10 Quantity 90122513
j	Nut - M8 Self Lock	* 10 Quantity 007963
k	Washers - M8	* 10 Quantity 90122300



ITEM	DESCRIPTION	RIGHT HAND	LEFT HAND
	<u>ALL POWER CHAIRS</u>		
1	COMPLETE ASSEMBLY	26002750	26002751
a	Tray Surface - Grey Melamine Large	26002752	26002753
	<i>(Cut-out determines which hand is required)</i>		

ITEM	DESCRIPTION	PART NO
b	Tray Centre Support Bracket	23008430
c	Mounting Bracket - Round Arm - 120°	23008227
n/s	Mounting Bracket - Square Arm - 120° <i>n/s = not shown</i>	26002757
cb	Mounting Bracket - Square Arm - 90°	26002759
cd	Mounting Bracket - Square Arm - 180° <i>Used with controller options</i>	26002762
d	Support Tube	23008433
e	Tray Support Tube	26002755
f	Wing Screw - M8	256099



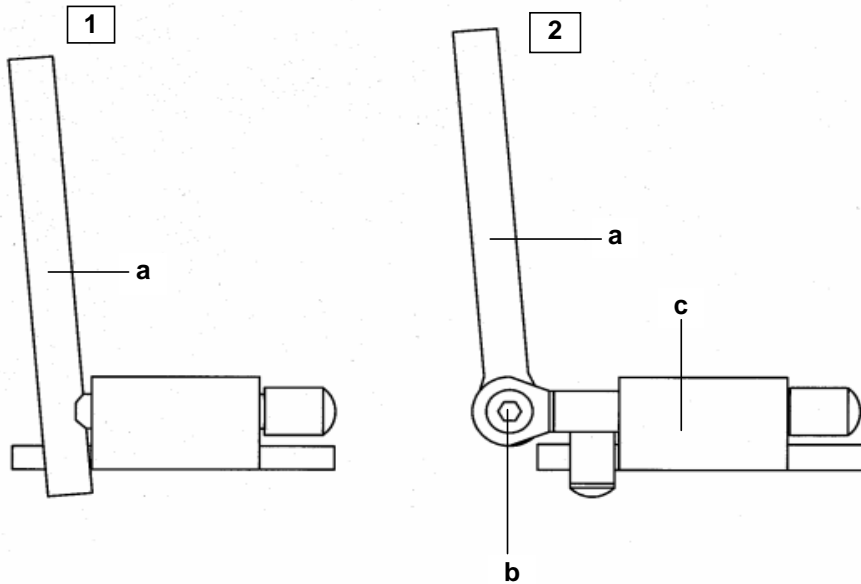
ITEM	DESCRIPTION	FINISH	RIGHT HAND	LEFT HAND
1	Hanger Tube Assembly STANDARD	BLACK	26003114P4	26003115P4
2	Hanger Tube Assembly SHORT	BLACK	26003102P4	26003103P4
3	Hanger Tube Assembly 90°	BLACK	26003096P4	26003097P4

a	Footrest Release Assembly - KIT		90455851	90455854
---	---------------------------------	--	----------	----------

ITEM	DESCRIPTION	PART NO
b	Footrest Clamp Screw	25000199
c	Footrest Clamp Domed Nut	* 10 Quantity 008128
d	Footrest Clamp Washers	* 10 Quantity 008508

HARRIER HD

MC45

**STANDARD**

ITEM	DESCRIPTION	FINISH	RIGHT HAND	LEFT HAND
1	Footplate Assembly (ADULT to 46cm)	BLACK	26003108	26003109
1a	Extension Tube	BLACK	26003626	26003627

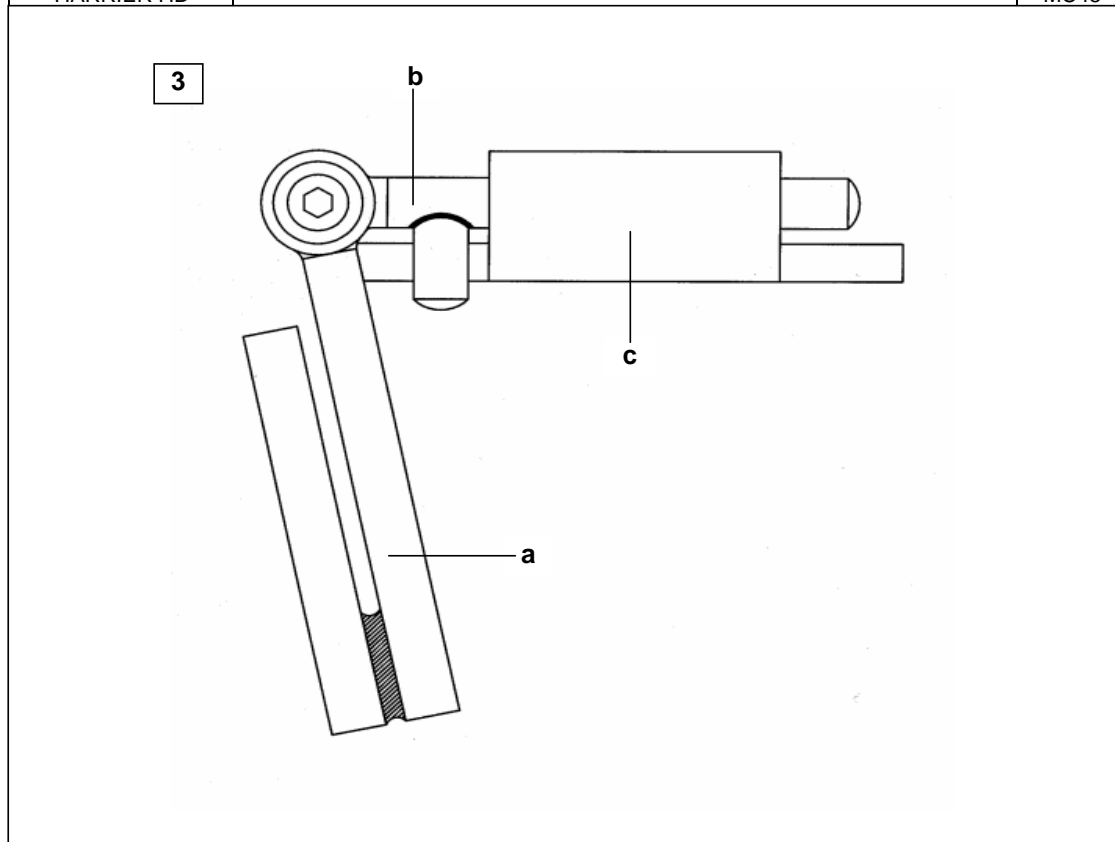
ADJUSTABLE ANGLE

ITEM	DESCRIPTION	FINISH	RIGHT HAND	LEFT HAND
2	Footplate Assembly (ADULT to 46cm)	BLACK	26003008	26003009
2a	Extension Tube	BLACK	Not Handed	26002888
2b	Footplate Support Tube	BLACK	26002908	26002909

ITEM	DESCRIPTION	FINISH	ADULT (7½)
c	Footplate (With Mat)	BLACK	26003630

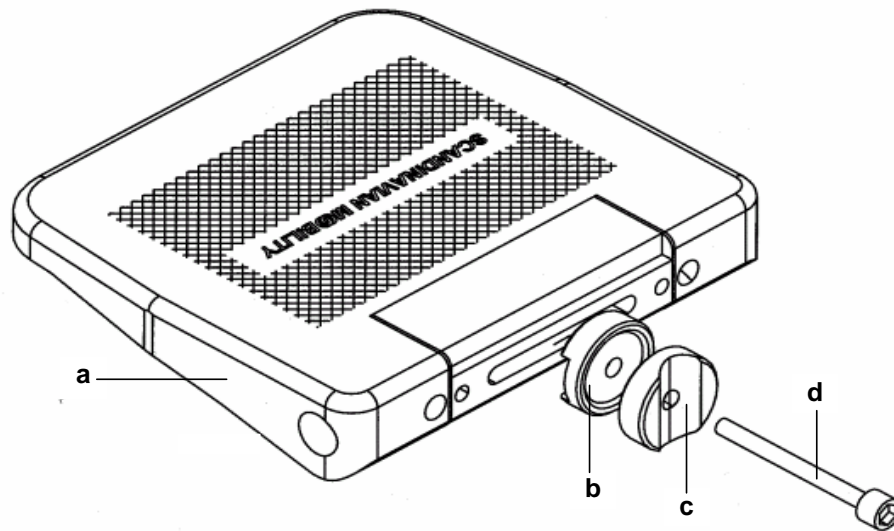
HARRIER HD

MC45

**ULTRA ADJUSTABLE ANGLE**

ITEM	DESCRIPTION	FINISH	RIGHT HAND	LEFT HAND
3	Footplate Assembly (ADULT to 46cm)	BLACK	26002984	26002985
3a	Extension Tube	BLACK	26002998	26002999
3b	Footplate Support Tube	BLACK	26002908	26002909

ITEM	DESCRIPTION	FINISH	ADULT (7½)
c	Footplate (With Mat)	BLACK	26003630



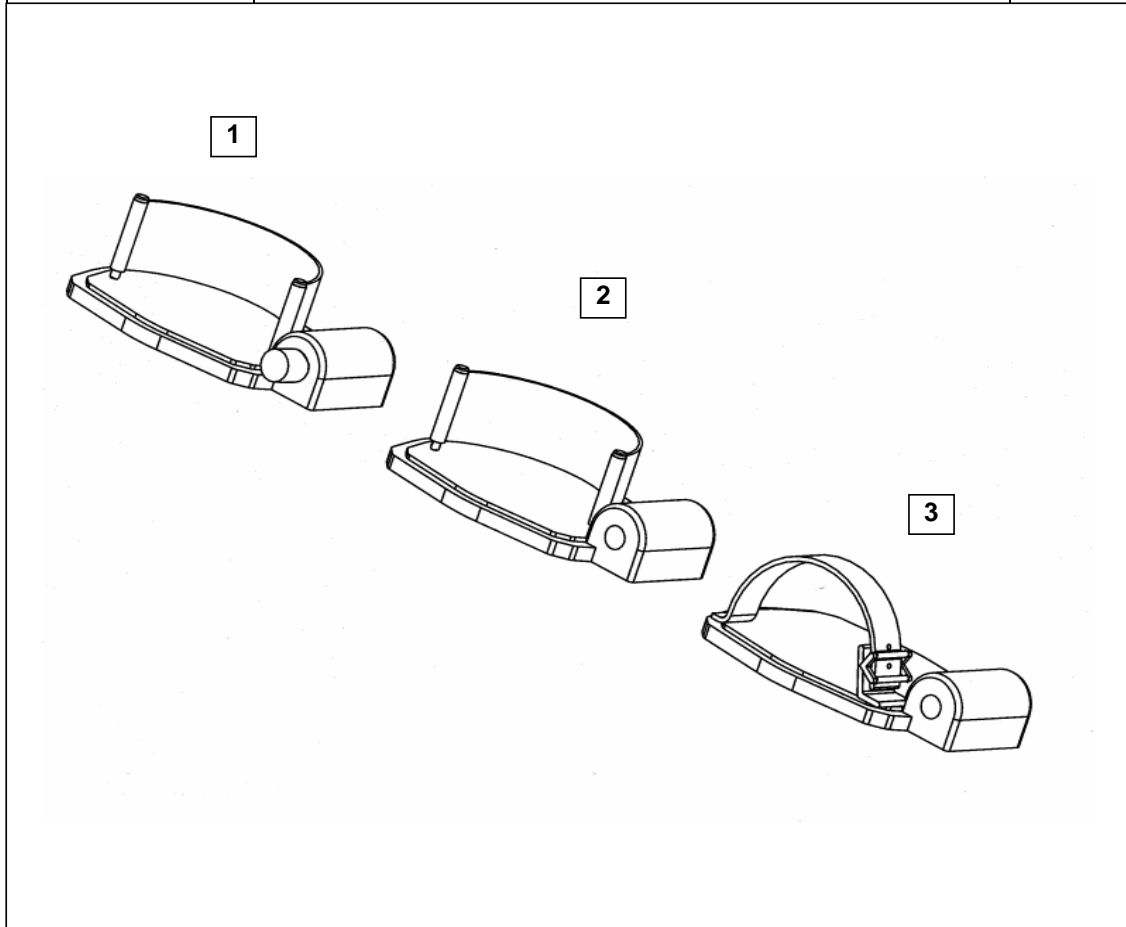
ITEM	DESCRIPTION	PART NO	
a	Footplate Assembly Complete, for width 46cm (18")	5106375	

ITEM	DESCRIPTION	PART NO	
b	Lock Plate - Inner	5106080	
c	Lock Plate - Outer	5104883	
d	Bolt - Socket Hd. M6 x 55	5724212	

PLEASE NOTE: The ADAPT Footplate will only fit the ULTRA ADJUSTABLE Footplate Support Tube. Refer to page 29 Items (3a & 3b)

HARRIER HD

MC45



ITEM	DESCRIPTION	RIGHT HAND	LEFT HAND
1	<u>NARROW ADULT</u> Foot Plate & Heel Loop Complete Assembly	90385544	90385545

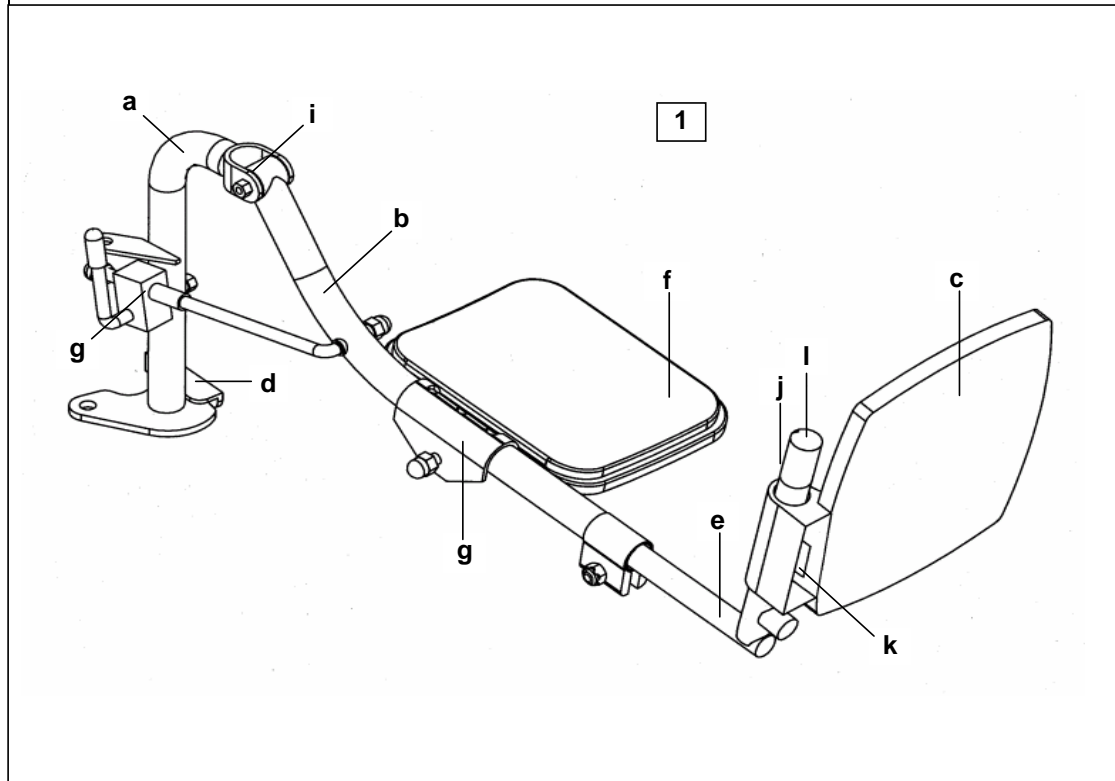
ITEM	DESCRIPTION	PART NO
2	Heel Loop NARROW ADULT	90389476

ITEM	DESCRIPTION	PART NO
3	Toe Loop	98008150

HARRIER HD

MC45

BLACK FINISH



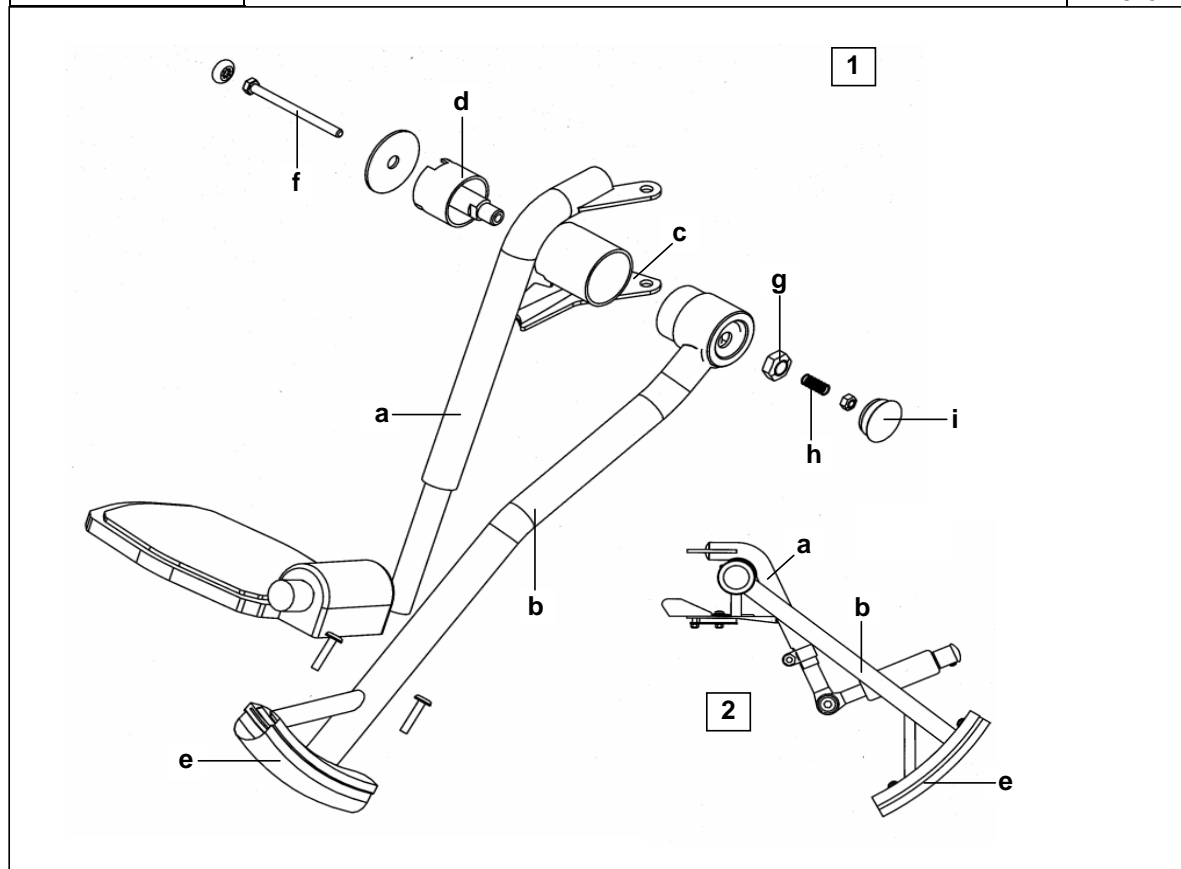
TALL LEGREST BRACKET FOR FIRM UPHOLSTERED SEAT

ITEM	DESCRIPTION	RIGHT HAND	LEFT HAND
1	Complete Assembly ADULT	26002682	26002683
a	Legrest Hanger Bracket - 300mm	26002333	26002334

STANDARD LEGREST BRACKET FOR SLUNG TYPE SEAT

ITEM	DESCRIPTION	RIGHT HAND	LEFT HAND
1	Complete Assembly ADULT	23008112	23008113
a	Legrest Hanger Bracket - 259mm	23008114	23008115
b	Legrest Bracket Calf Pad Mounting LONG	90465572	90465572
b	Legrest Bracket Calf Pad Mounting SHORT	90465593	90465594
c	Footplate MCP Type - ADULT (Size 7½)	Not Handed	26003630
d	Footrest Release Assembly - (KIT)	90455851	90455852
e	Footrest Extension Tube	90418906	90418907

ITEM	DESCRIPTION	PART NO
f	Calf Pad Upholstered Quote Upholstery Colour Code	90467111
g	Calf Pad Hinge Assembly	90464270
h	Elevating Rod Adjustment Assembly	90464385
l	Pivot Kit	90440920
j	Ring Retainer and Screw	90377925
k	Spring Footrest Plate	098350
l	Tube Plug Round - 19mm BLACK	00959935



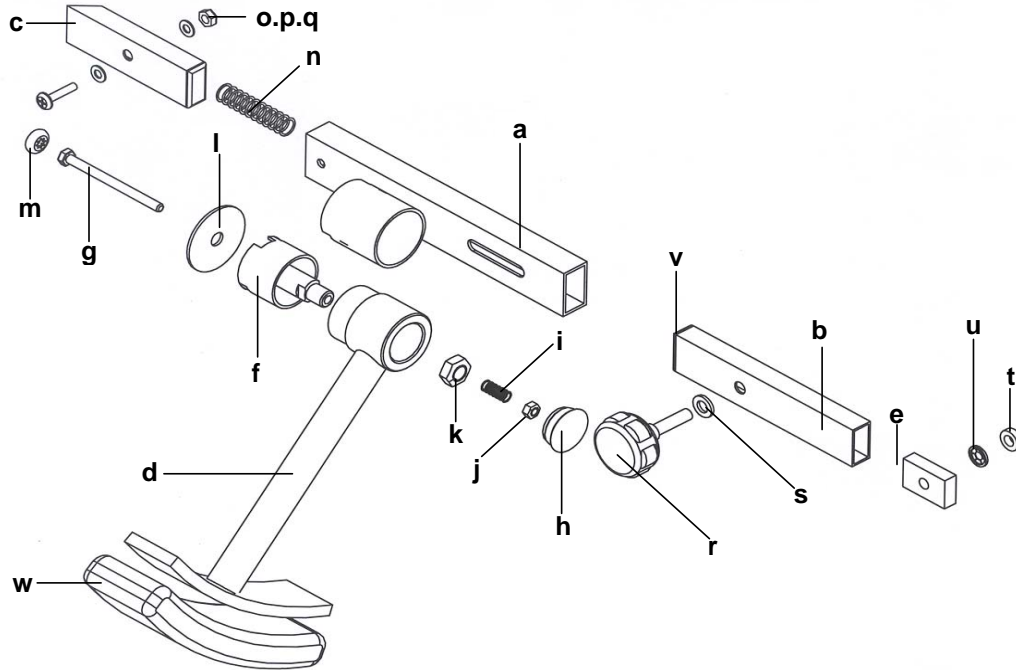
ITEM	DESCRIPTION	RIGHT HAND	LEFT HAND
1	<u>STANDARD - HANGER</u> Hanger / Quadrant Assembly		
a	Pivot Hanger Assembly	BLACK	BLACK
b	Quadrant Arm Assembly	BLACK	BLACK
2	<u>SHORT - HANGER</u> Hanger / Quadrant Assembly		
a	Pivot Hanger Assembly	BLACK	BLACK
b	Quadrant Arm Assembly	BLACK	BLACK
c	Footrest Release Assembly (KIT)	90455851	90455852
d	Torsion Bush	23008512	23008513

ITEM	DESCRIPTION	PART NO
e	Rubber Foot	23008043
f	Bolt Hex Head - M6 X 80	23008522
g	Nut - M12 Self Lock	90440850
h	Compression Spring 9 x 16LG	90010144
i	Insert Cap - BLACK	00959910

HARRIER HD

MC45

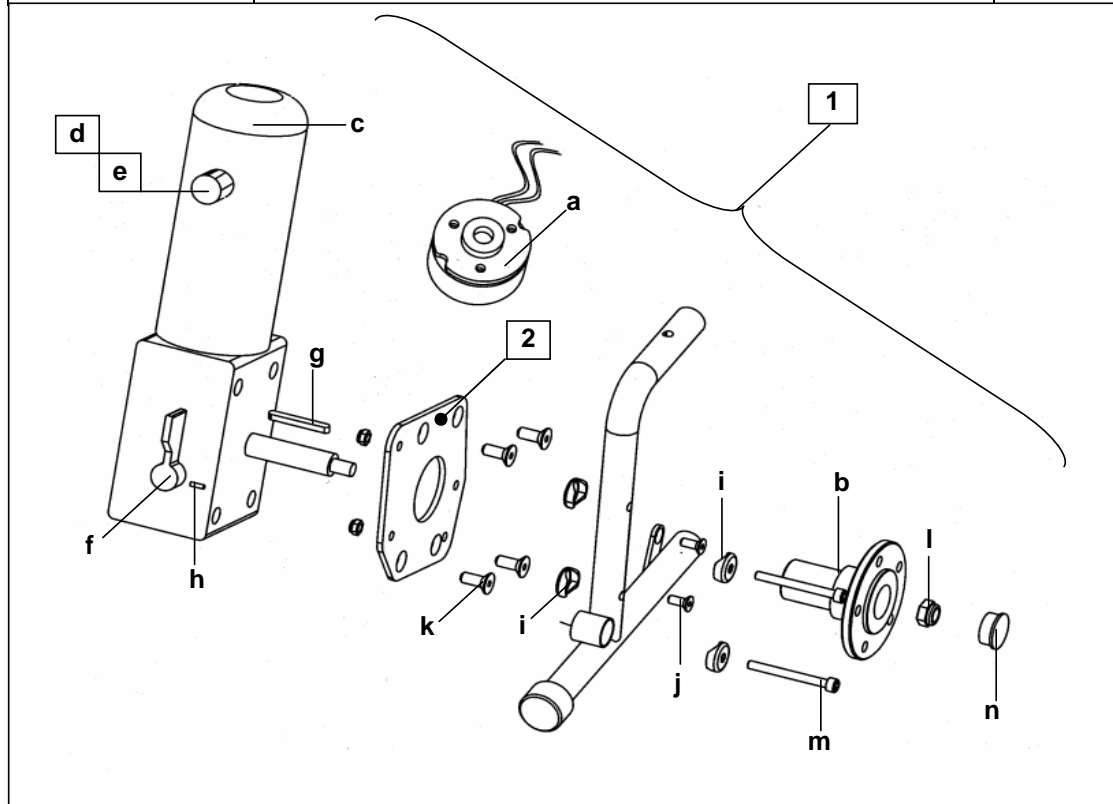
FOR CHAIRS FITTED WITH PNEUMATIC TYRES



ITEM	DESCRIPTION	46cm-(18")	
1	COMPLETE ASSEMBLY	26004156	
a	Central Support Bracket	26003823	
b	Fixed Tube	26003832	
ITEM	DESCRIPTION	PART NO	
c	Sliding Stop Tube	26003836	
d	Quadrant Arm Assembly - (200mm)	26004157	
e	Hand Wheel Lock Block	26003839	
f	Torsion Bush (LH)	23008513	
g	Bolt Hex Head - M6 x 80	*10 Quantity	23008522
h	Insert Cap	*10 Quantity	00959910
i	Compression Spring 9 x 16LG	*10 Quantity	90010144
j	Nut - M6 Self Lock	*10 Quantity	007955
k	Nut - M12 Self Lock (Binx)	*10 Quantity	90440850
l	End Cover		23008517
m	Starlock Cap	*10 Quantity	00915539
n	Compression Spring 76 x 13LG	*10 Quantity	90010145
o	Screw M5 x 25 Pan Head Pozi	*10 Quantity	00007630
p	Washer - M5	*10 Quantity	008482
q	Nut - M5 Self Lock	*10 Quantity	007948
r	Hand Wheel - M8 x 20		90288163
s	Spring Washer - M8	*10 Quantity	380279
t	Wheel Spacer	*10 Quantity	23008016
u	Starlock Washer	*10 Quantity	90074454
v	Tube Plug Rectangular 25mm x 9mm	*10 Quantity	00959925
w	Rubber Foot		6002218

HARRIER HD

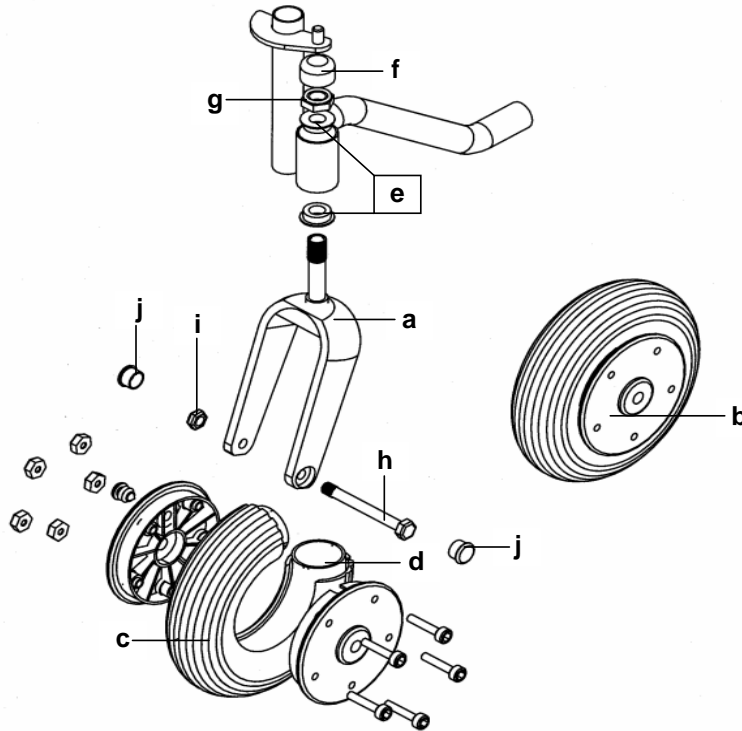
MC45



ITEM	DESCRIPTION	RIGHT HAND	LEFT HAND
1	FRACMO 170 watt 138 rpm Motor/Gearbox - WIRED FOR PILOT INTEGRAL	23009220	23009221
1	Motor/Gearbox - WIRED FOR PILOT +	1416008	1416007
2	Motor Mounting Plate Fixed Motors	23009228	23009229

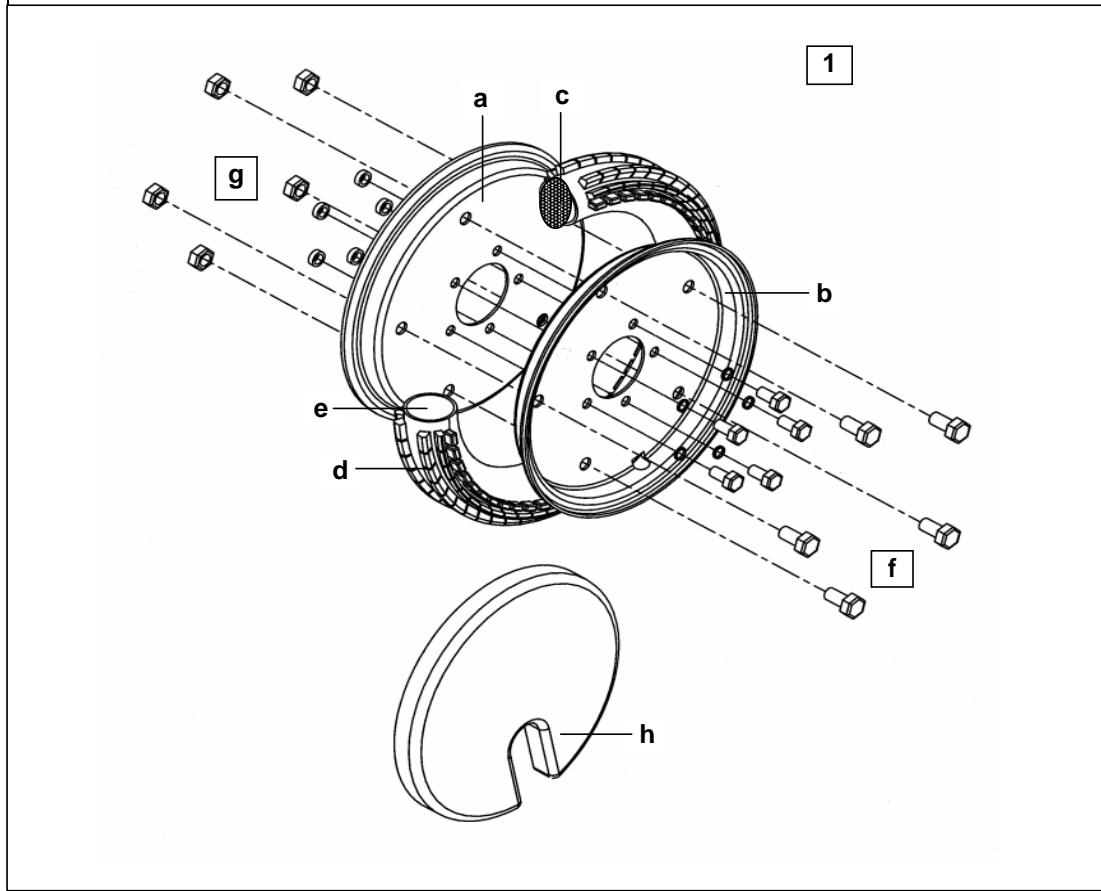
ITEM	DESCRIPTION	PART NO
a	Solenoid Brake	21207867
b	Hub	23009227
c	Brake Cover	23008050
d	Carbon Brushes 1 Pair External Housing	26002726
e	Brush Retaining Caps External Housing	26002727
f	Dis - engage Lever	23009232
g	Key	23009211
h	Spirol Pin - 3mm	*10 Quantity 23009233
i	Saddle Washer (M6 Mounting)	*10 Quantity 23008018
j	Screw Motor Mounting - M6 x 16 Countersunk Hex Head	*10 Quantity 00007923
k	Screw Motor Mounting - M8 x 16 Countersunk Hex Head	*10 Quantity 0007938
l	Nut - M10 Nylock (Drive Shaft End)	*10 Quantity 00008912
m	Bolt - M8 x 40 Hex Set BZP (2 Required)	00007640
n	End Cap (Hub) 32mm - Round BLACK	23009226

SPLIT RIM - PNEUMATIC OR FLEXEL PP



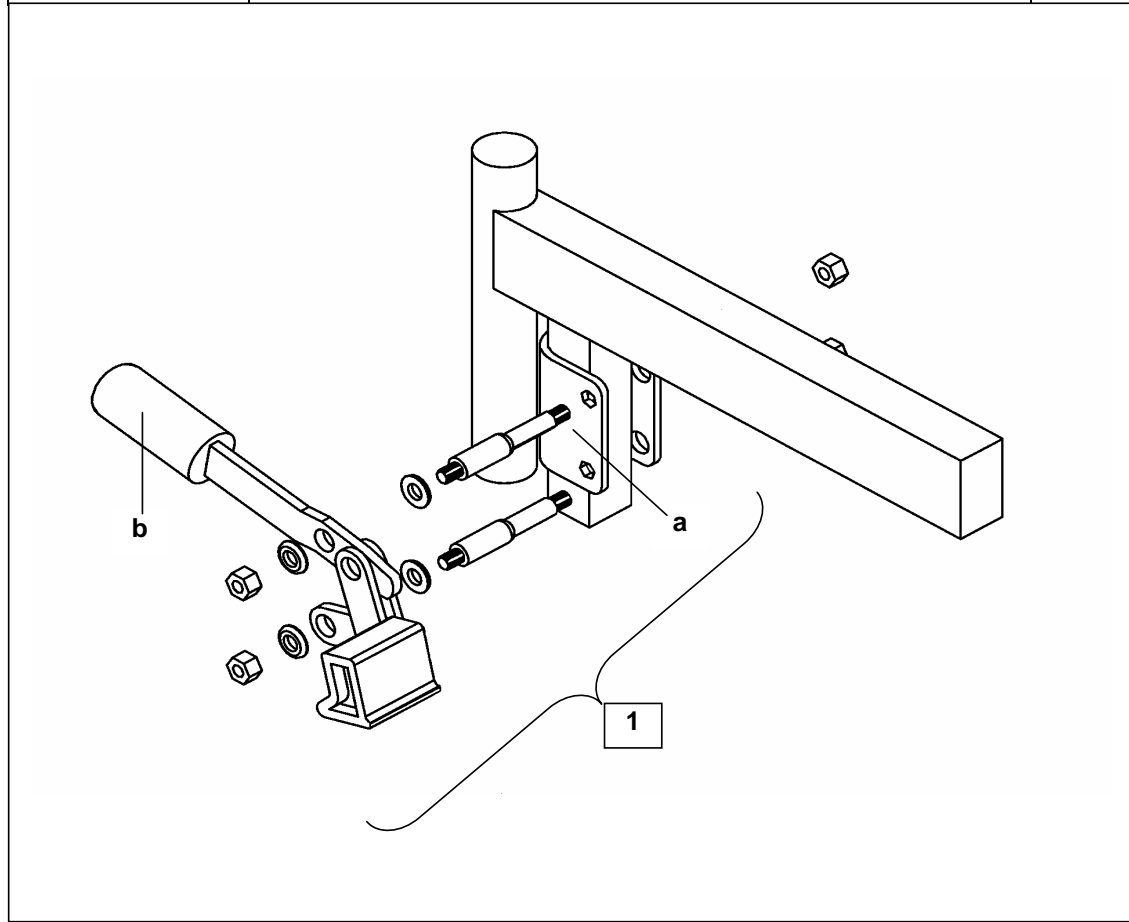
ITEM	DESCRIPTION	PART NO
a	CASTOR FORK BLACK	23009091
b	Castor Wheel 200 x 50 Puncture Proofed (FLEXEL) - Black rim	23009101
b	Castor Wheel 200 x 50 (PNEUMATIC) - Black rim	23009092
c	Castor Tyre - Grey - with FLEXEL Infill 200 x 50	90054218
c	Tyre - 200 x 50 Grey	016964
d	Inner Tube - 200 x 50	016956
e	Bearing - Castor Stem (2 Required)	90046960
f	Cap - Black Plastic	90042168
g	Nut - Castor Stem	007971
h	Bolt - Axle - M8 x 80	90531691
i	Nut - Axle - M8 Nyloc * 10 Quantity	007963
j	Cap - Axle - Black Plastic * 10 Quantity	90045031

SPLIT RIM WHEEL - FITTED WITH PNEUMATIC OR FLEXEL PP



ITEM	DESCRIPTION	PART NO
1	Drive Wheel Assembly (<i>Puncture Proofed - FLEXEL</i>) * BLACK RIM	23009087
1	Drive Wheel Assembly (<i>Pneumatic c/w Tyre and Tube</i>) BLACK RIM	23009086

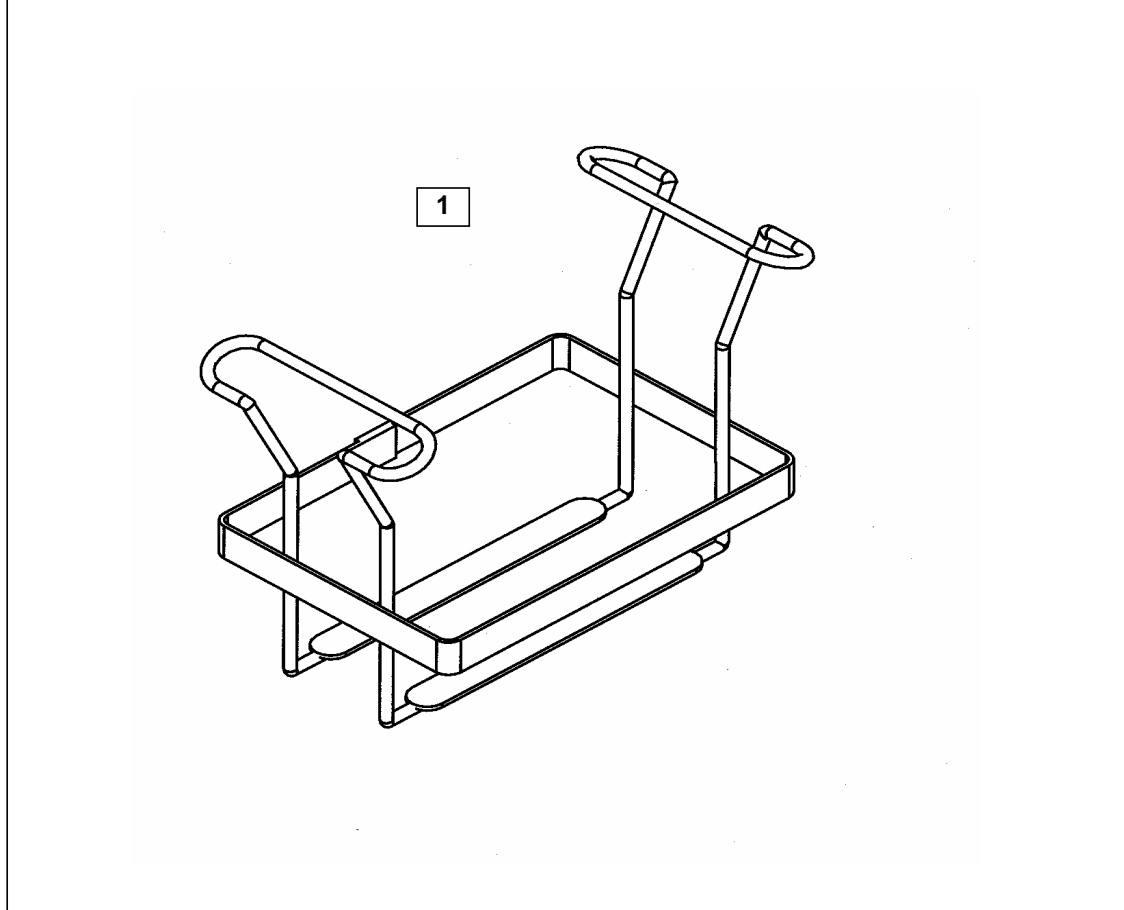
a	Wheel Rim - Inner	BLACK	23009260
b	Wheel Rim - Outer (Valve Hole)	BLACK	23009261
c	Puncture Proof Infill - FLEXEL (Complete with Tyre)		23009262
d	Tyre - 12½ x 2¼	GREY	90017225
e	Inner Tube - 12½ x 2¼		90017260
f	Bolt - M10 x 20 HT		00007812
g	Nut - M10 Nyloc	* 10 Quantity	00008912
h	Wheel Trim	BLACK	30000054



ITEM	DESCRIPTION	RIGHT HAND	LEFT HAND	
1	COMPLETE ASSEMBLY	H4 / 701	H4 / 703	

a	Mounting Bracket		23008009	
b	Rubber Tip (Slotted Fit)	BLACK	H4 / 712	

FRONT



MODELS FITTED WITH SPLIT - 2 x 40AH BATTERIES

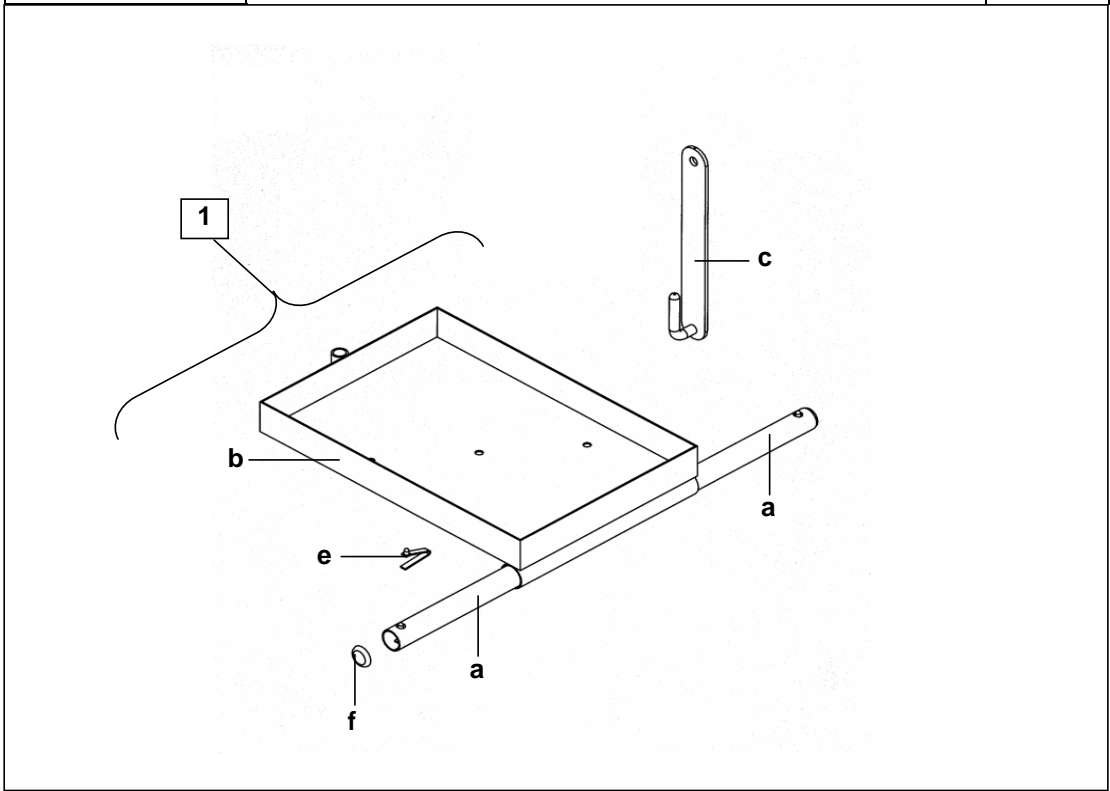
46cm (18") seat width only.

ITEM	DESCRIPTION	46cm (18")	
1	Carrier Frame Assembly BLACK	23006128	

40 REAR BATTERY TRAY ASSEMBLY 40

HARRIER HD

MC45



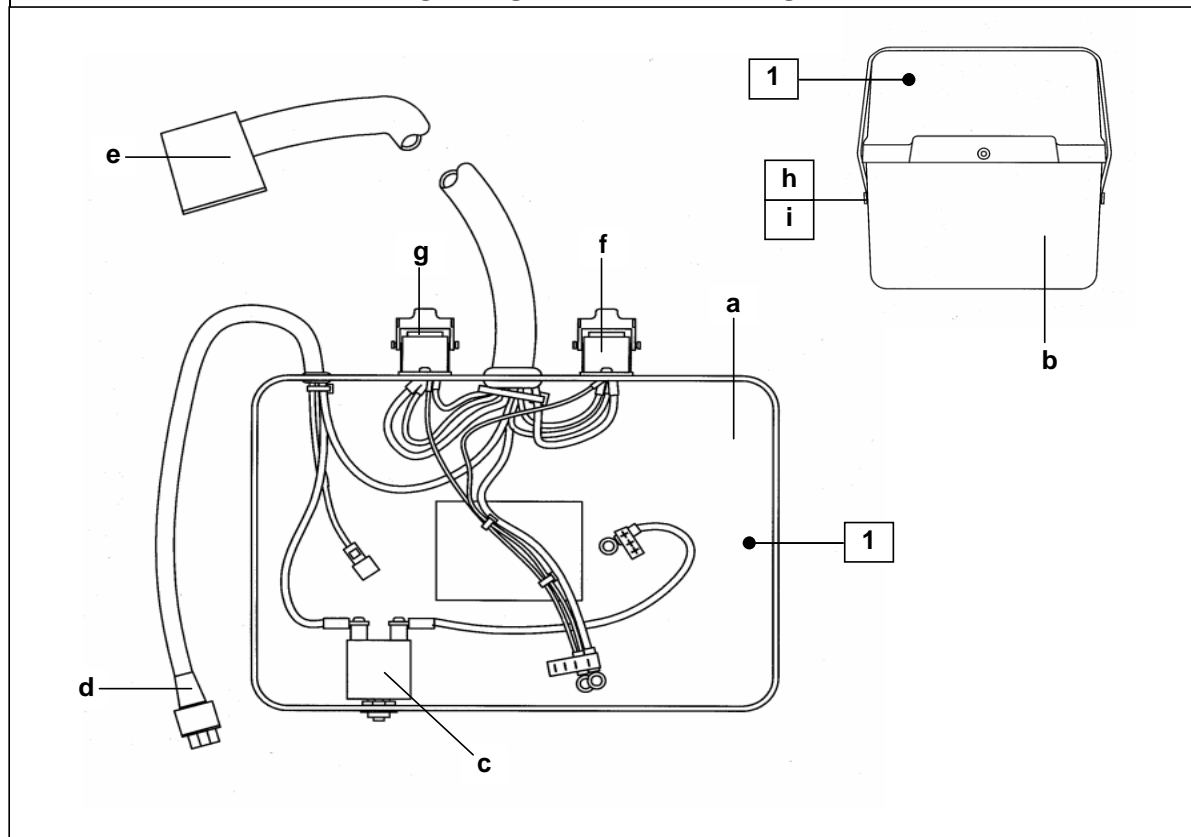
**MODELS FITTED WITH SPLIT - 2 x 40 AH BATTERIES
(46cm seat width only)**

ITEM	DESCRIPTION	FINISH	PART NO
1	COMPLETE BATTERY TRAY ASSEMBLY	BLACK	26002607
a	Support Tube	BLACK	26002615

ITEM	DESCRIPTION	FINISH	PART NO
b	Battery Tray Sub Assembly	BLACK	26002616
c	Battery Tray Hanger Straight	BLACK	23008870

e	Spring Button Lock		90139370
f	End Bung - 19mm Round	BLACK	00959935

FRONT - SPLIT BATTERY BOX 1

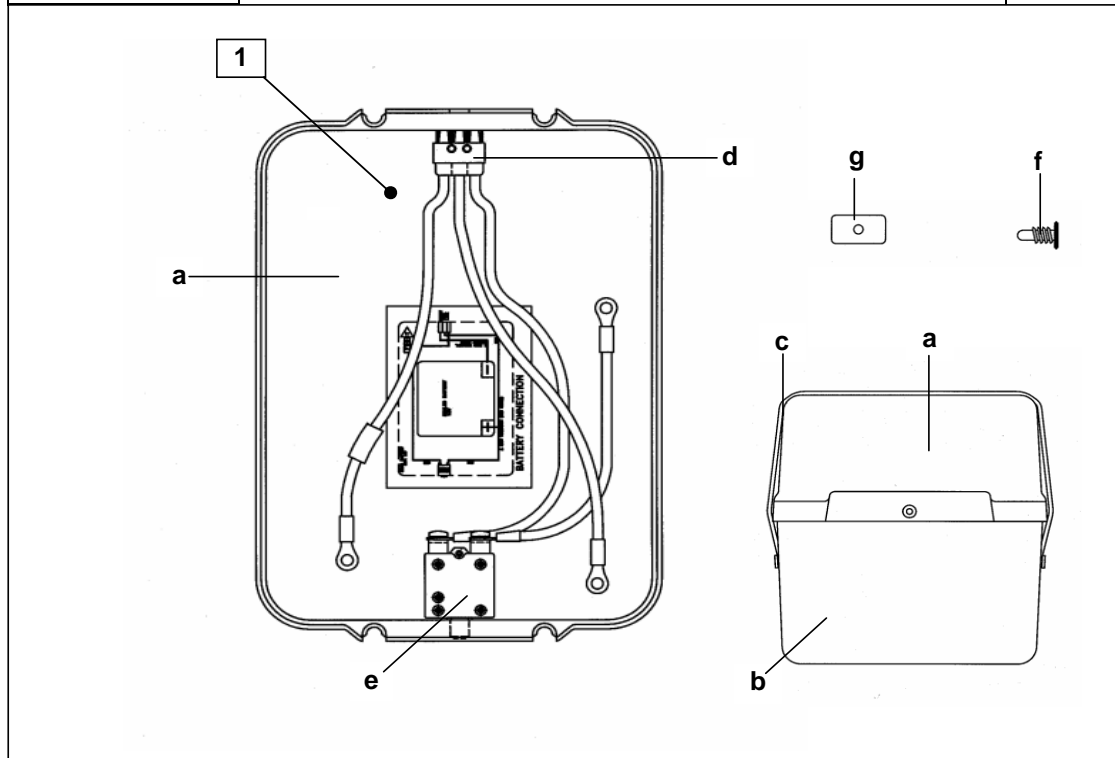


TO FIT 1 x 40 AH BATTERY

ITEM	DESCRIPTION	PART NO
1	Battery Box Upper Assembly - (Wired) BLACK	26003695
	Battery Box Upper Moulding - (Unwired) BLACK	23009333
b	Battery Box Lower Moulding Less Fittings BLACK	23009252
c	Circuit Breaker - 40A	00961239
d	Connecting Series Link	26002555
e	Main Loom / Beau Socket Assembly	26002570
f	Motor Socket Housing Assembly - Straight	00961227
g	Motor Socket Insert 6 Pin ' Female ' Solder Type	00961008
h	Slotted Head Screw (Special)	00007941
i	Receptacle (For Special Head Screw 'h')	00007940

HARRIER HD

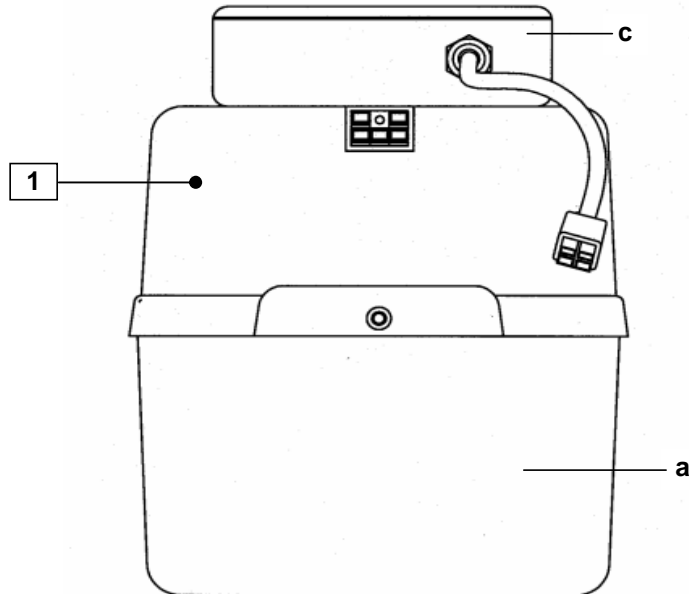
MC45



1. REAR TO FIT 1 x 40 AH

ITEM	DESCRIPTION	FINISH	PART NO	
a	Battery Box Upper Assembly - (Wired)	BLACK	26003691	
a	Battery Box Upper Moulding - (Unwired)	BLACK	23009257	
b	Battery Box Lower Complete with Carrying Strap	BLACK	26002572	
b	Battery Box Lower Moulding Less Fittings	BLACK	23009252	
c	Carrying Strap		26002573	
ITEM	DESCRIPTION	FINISH	PART NO	
d	Connecting Loom Assembly		26002563	
e	Circuit Breaker - 40A		00961239	
f	Slotted Head Screw (Special)		00007941	
g	Receptacle (For Special Head ScREW 'f') * 10 Quantity		00007940	

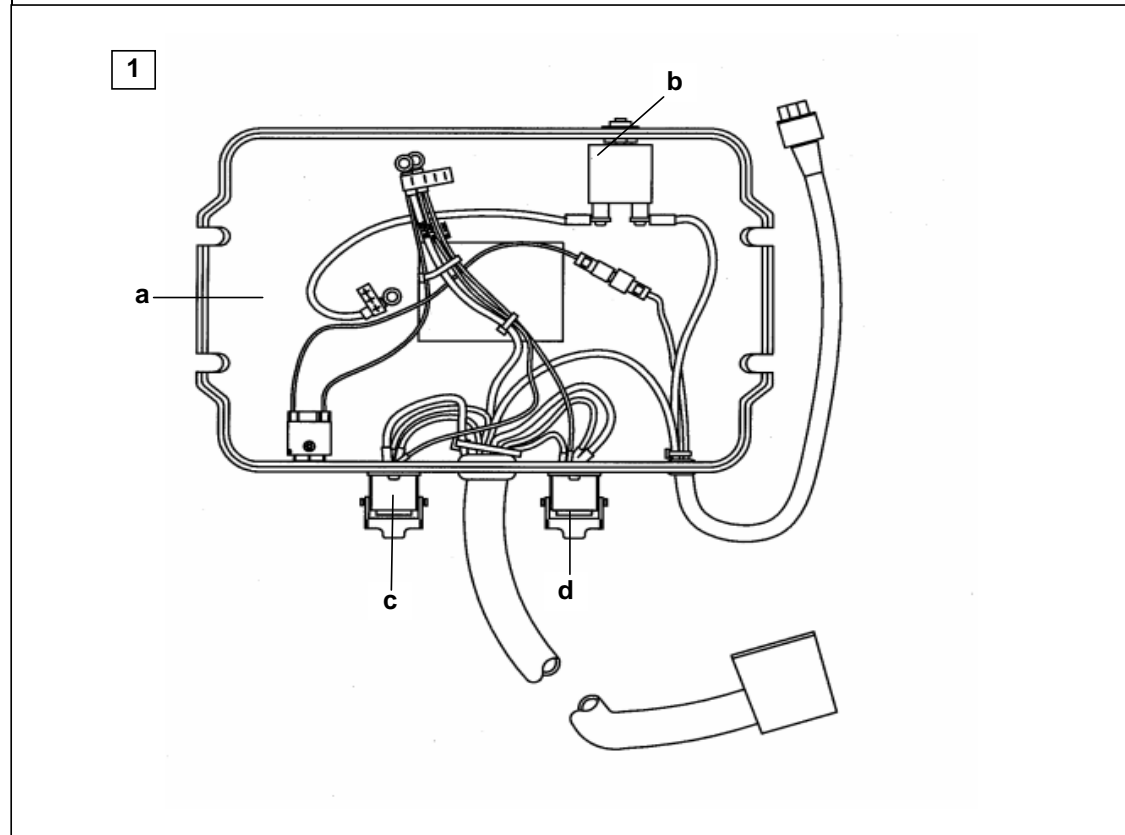
REAR - POWERED RECLINER



1. REAR TO FIT 1 x 40 AH

ITEM	DESCRIPTION	FINISH	PART NO	
1	Battery Box Upper Assembly - (Wired)	BLACK	26003651	
1	Battery Box Upper Moulding - (Unwired)	BLACK	23009250	
a	Battery Box Lower Complete with Carrying Strap	BLACK	26002572	
a	Battery Box Lower Moulding Less Fittings	BLACK	23002576	
N/S	Carrying Strap		26002573	
ITEM	DESCRIPTION		PART NO	
c	Control Board Assembly		26003618	

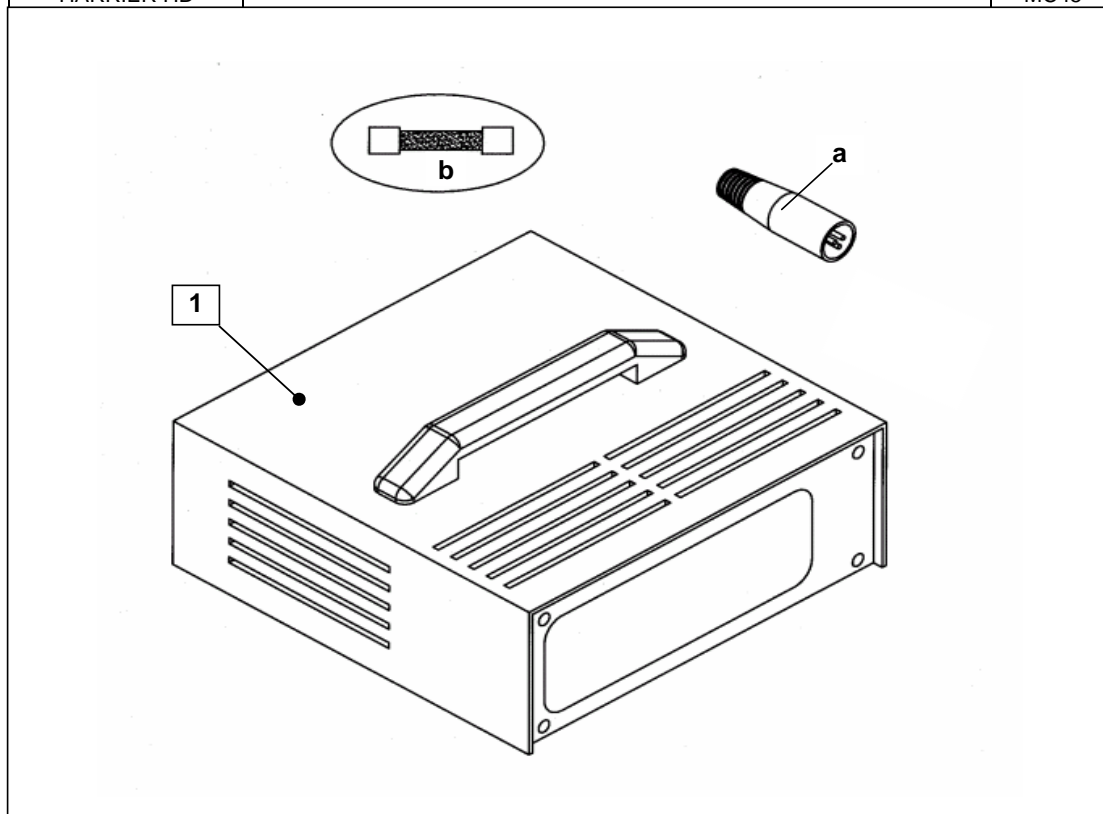
FRONT - POWERED RECLINER



TO FIT 1 x 40 AH BATTERY

ITEM	DESCRIPTION	FINISH	PART NO	
1	Battery Box Upper Ass. - (Wired) (To fit PILOT Controller)	BLACK	26003649	
a	Battery Box Upper Moulding - (Unwired)	BLACK	23002552	

ITEM	DESCRIPTION	PART NO	
b	Circuit Breaker - 40A	00961239	
c	Motor Socket Housing Assembly - Straight	00961227	
d	Motor Socket Insert 6 Pin "Female" Solder Type	00961008	



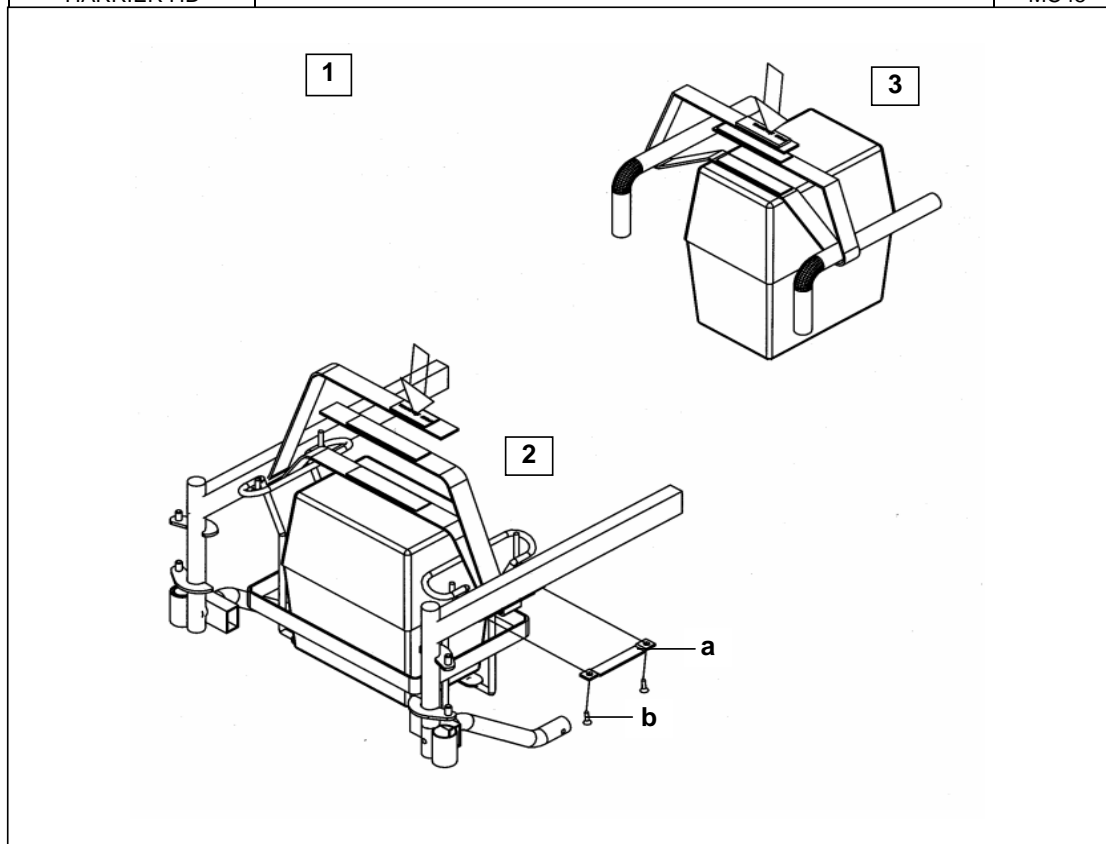
ITEM	DESCRIPTION	PART NO
1	<u>LOW PROFILE</u> <u>4 LED</u>	
	5 Amp Output 24VDC - 3Pin Neutrik Plug PILOT CONTROLLER	00961250
1	7 Amp Output 24VDC - 3Pin Neutrik Plug PILOT CONTROLLER	00961270

ITEM	DESCRIPTION	PART NO
a	Charging Plug - 3 Pin Neutrik	00961255

ITEM	DESCRIPTION	PART NO
b	Fuse - 5amp 20mm (Main Supply - Rear Input Socket) * 10 Quantity	00961228

HARRIER HD

MC45



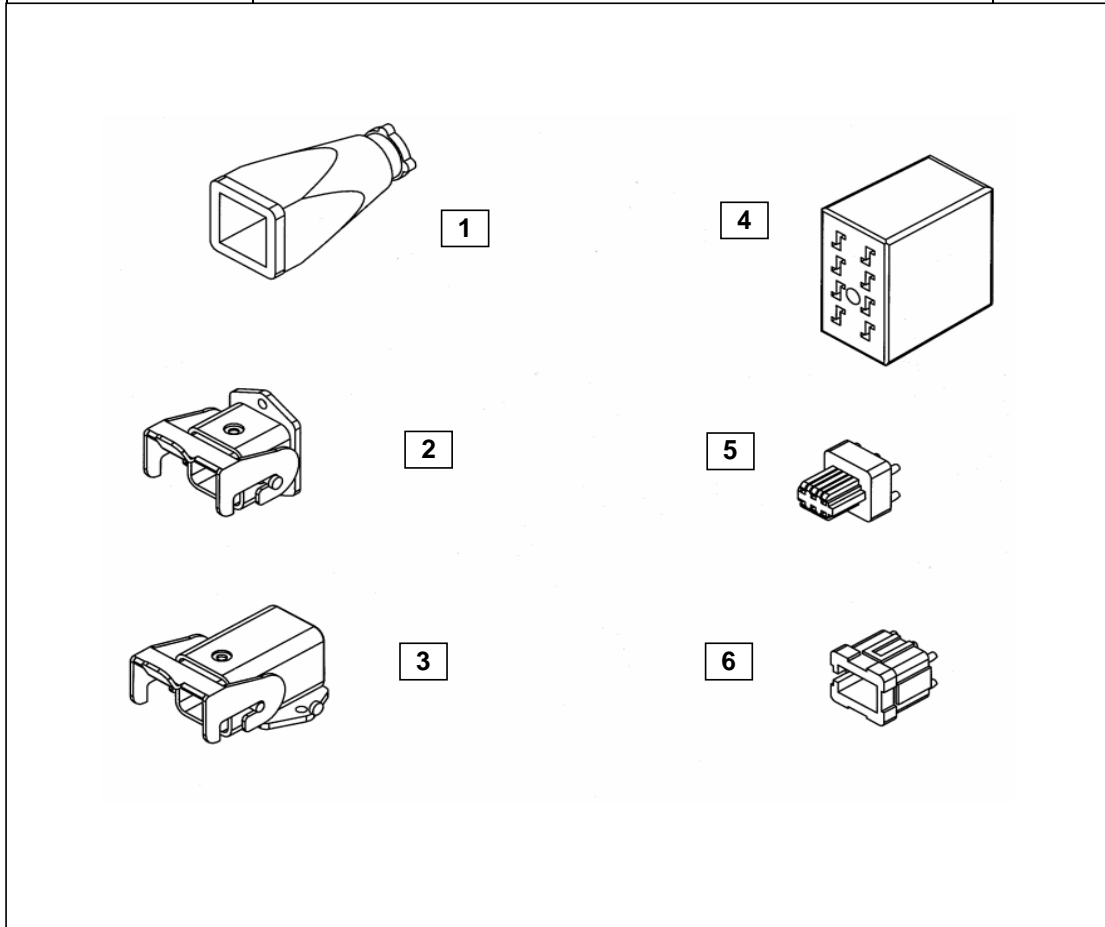
ITEM	DESCRIPTION	46cm-(18")	
1	COMPLETE KIT INCLUDES:- 1 - Front Strap 1 - Rear Strap 2 - Restraint Brackets (Front) 4 - Self Tapping Screws	26003995	
2	Strap - Front Fitting	26003929	
ITEM	DESCRIPTION	PART NO	
a	Restraint Bracket	25000130	
b	Screw - Self Tapping - No. 8 x 20mm * 10 Quantity	007161	

ITEM	DESCRIPTION	46cm-(18")	
3	Strap - Rear Fitting	26003929	

Front and Rear straps are identical parts, when fitting ensure that the warning label is positioned at the top - centre as indicate in above diagam.

HARRIER HD

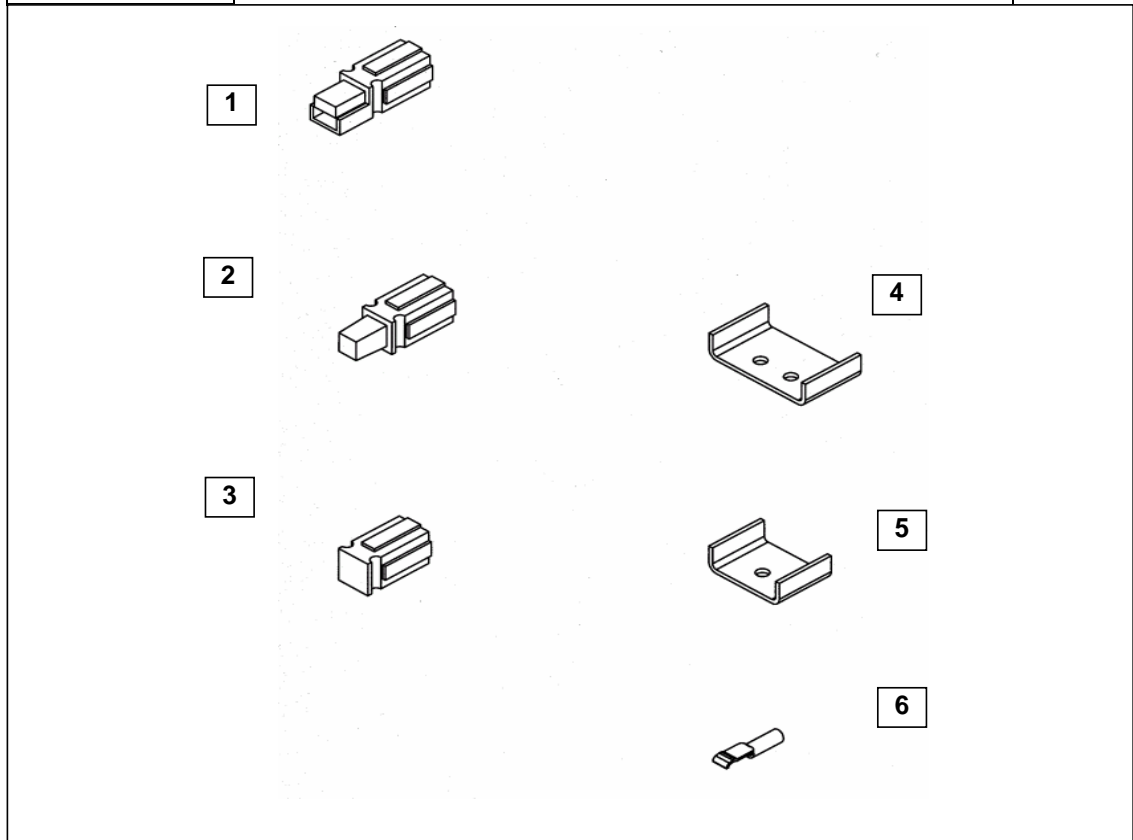
MC45



ITEM	DESCRIPTION	PART NO
1	Motor Plug Cover with Clamp & Screw	00961009
2	Housing Assembly Base - Straight	00961227
3	Housing Assembly Base - Right Angle	00961007
4	Beau Socket - 9 Pin	00961041
5	Motor Plug Insert - 6 Pin "Male" Solder Type	00961006
6	Motor Socket Insert - 6 Pin "Female" Solder Type	00961008

HARRIER HD

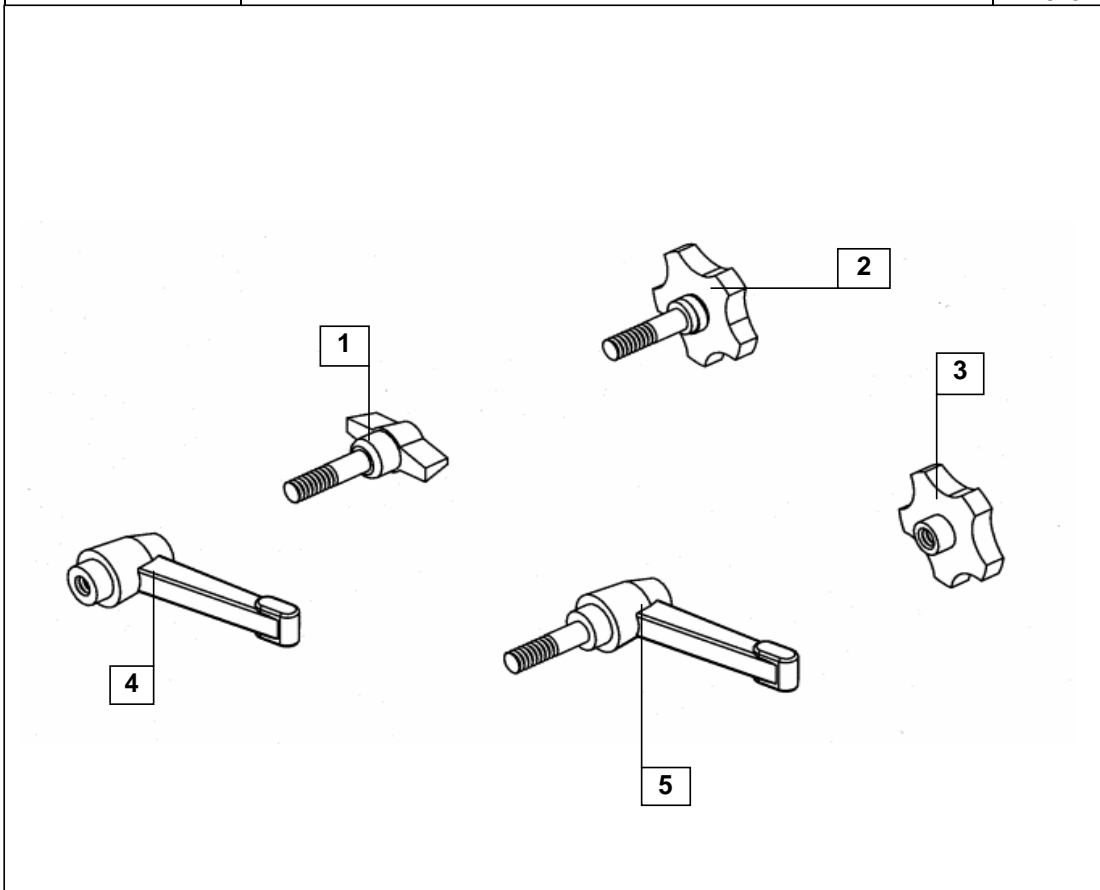
MC45



ITEM	DESCRIPTION	PART NO	
	<u>Powerpole Housing</u> SUPPLIED IN 10 QUANTITY.		
1	RED	00961001	
1	BLACK	00961002	
1	YELLOW	00961003	
1	BLUE	00961004	
1	ORANGE	00961005	
1	GREEN	00961012	
1	WHITE	00961231	
	<u>Powerpole Housing Spacer</u> SUPPLIED IN 10 QUANTITY.		
2	Long RED	00961232	
3	Short RED	00961233	
4	Retaining Plate - 3-Way	24009899	
5	Retaining Plate - 2-Way	21003300	
	<u>Powerpole Contact</u> SUPPLIED IN 10 QUANTITY.		
6	Powerpole Contact 15 amp	00961234	
6	Powerpole Contact 30 amp	381293	

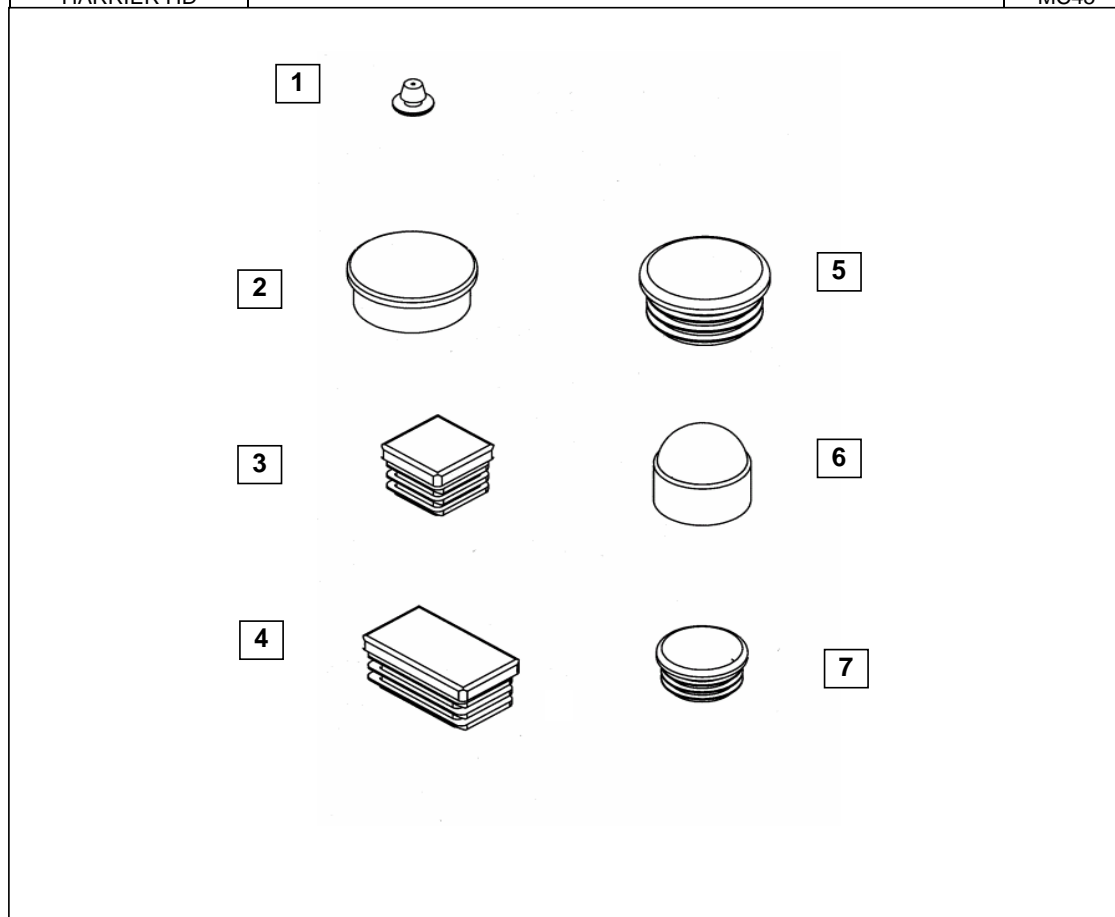
HARRIER HD

MC45



ITEM	DESCRIPTION	PART NO
	<u>ALL PRODUCTS</u>	
1	Wing Screw - 8mm	256099
2	Hand Wheel - M8 x 25 <i>Male Fitting</i>	90288161
3	Hand Wheel - M8 <i>Female Fitting</i>	90288160
4	Locking Lever - M8 x 20 <i>Male Fitting</i>	90892410
5	Locking Lever - M6 <i>Female Fitting</i>	90892411

**The clamping devices fitted may vary in appearance and design.
The function and operation will not be affected.**



ITEM	DESCRIPTION	PART NO
<u>ALL PRODUCTS</u>		
1	Plug - (Sideframe - Backrest Mounting Position) BLACK * 10 Quantity	00959916
2	End Cap - (Kerb Climber) BLACK	00959910
3	Tube Plug - Square 15mm x 15mm BLACK * 10 Quantity	00959934
4	Tube Plug - Rectangular 25mm x 9mm BLACK * 10 Quantity	00959925
4	Tube Plug - Rectangular 35mm x 20mm BLACK * 10 Quantity	00955926
5	Tube Plug - Round 30mm (Wheel Hub) BLACK * 10 Quantity	23009226
6	Cap - (Caster Stem) BLACK	90042168
7	Tube Plug - Round 19mm BLACK * 10 Quantity	00959935
7	Tube Plug - Round 20mm BLACK * 10 Quantity	00959940