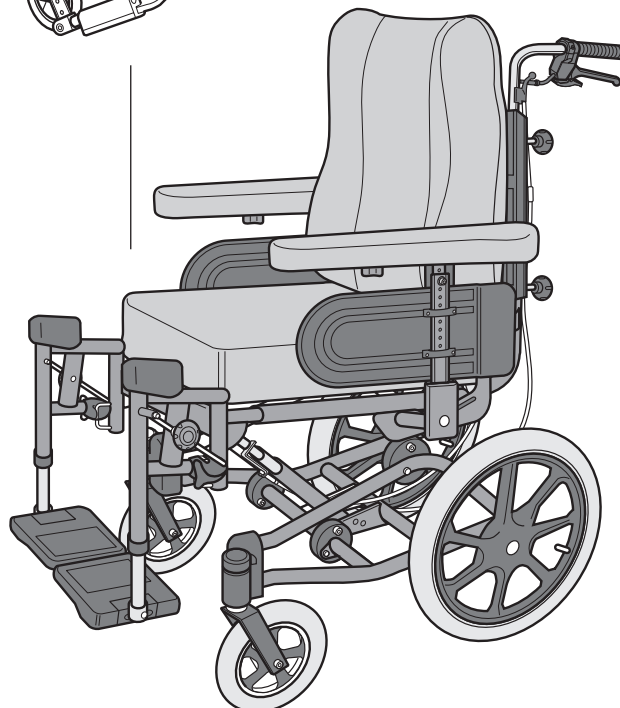


Rea Comfort Rea Assist

Assembly instructions
Accessories



English

Contents

REA COMFORT

Drive wheels	5
Tetra quick release	6
Hand rims	7
Spoke-guards	7
Castors	7
Transportation wheels	8
Brake	9
Carer-operated brake	10–11
Backrest extension	12
Headrest/Neck-rest	12
Central support	13
Lower back support	13
Trunk support	14
Safety belt	14
Hemiplegic armrest	15
Lock-kit armrest	15
Sliding seat	16–17
Backrest bar	18
Backrest bar with push handles	18
Widening kit	19
Knee-guard	20
Pommel	20
Footrest bracket	21
Amputee legrests	21–22
Heel strap	23
Calf rest	24
Reflector kit	25
Tray	26
Bag	26
Crutch holder	27
Incontinence cover	27
Manual angling of the backrest	28
Electrically powered tilting and angling of the backrest	29–32

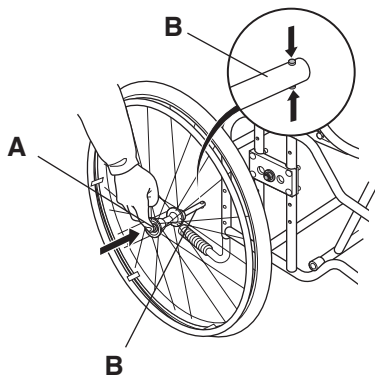
Contents

REA ASSIST

Transportation wheels	33
Castors	34
Chassis extension	35
Manual tilting and angling of the backrest	36–39
Electrically powered tilting and angling of the backrest	40
Fitting the battery	41
Backrest bar	42
Adjustable backrest	42–43
Backrest extension/Neck support	44
Headrest/Central support	44
Lower back support	45
Cushion stop	46
Leg divider	46
Safety-belt	46
Hemiplegic armrest	46
Lockable armrest	47
Central legrest	47
Leg rest	48
Heel strap	48
Tray	49
Trunk support	50
Bag	50
Reflector kit	51
Crutch holder	51
Incontinence cover	52
Further accessories (not shown in diagrams)	53

Drive wheels

1.

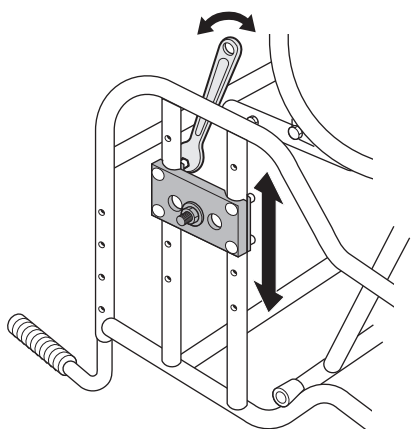


1. Attach the drive wheel by depressing spring-loaded button (A), at the centre of the hub. Keep it depressed, while simultaneously feeding axle (B) into the hub.



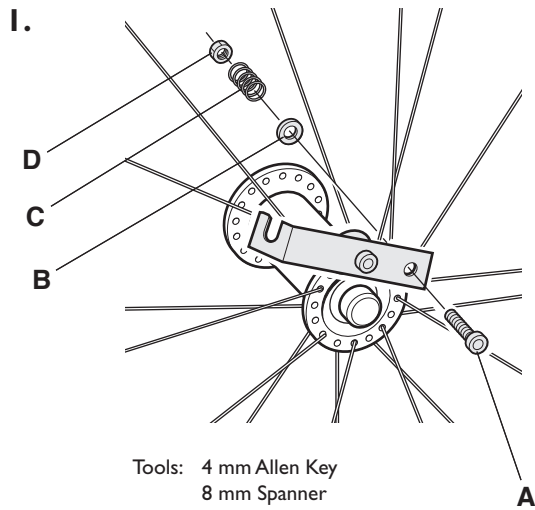
It is very important that you check that the locking pin has actually locked the wheel into position when the centre button has been released. Take hold of the wheels and try to detach them. This should NOT be possible.

2.

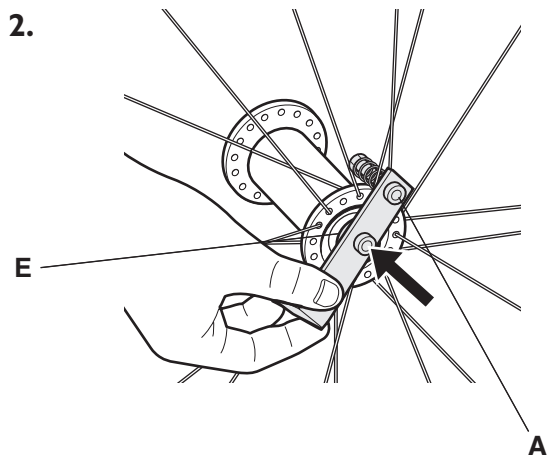


2. The drive wheel plate can be moved by using a fixed spanner to slacken and remove the nuts.

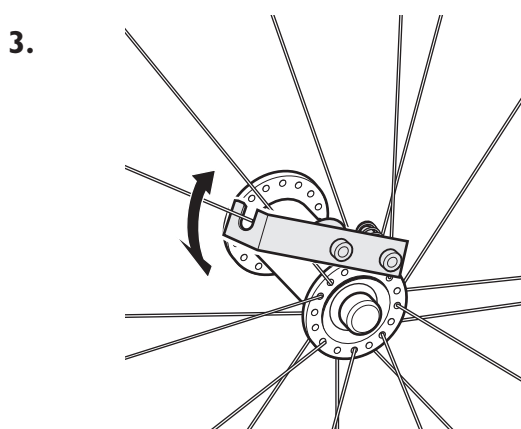
Tetra quick release



1. Fit the push handle securely in the space between the spokes, closest to the hub. Use screw (A), washer (B), spring (C) and nut (D).

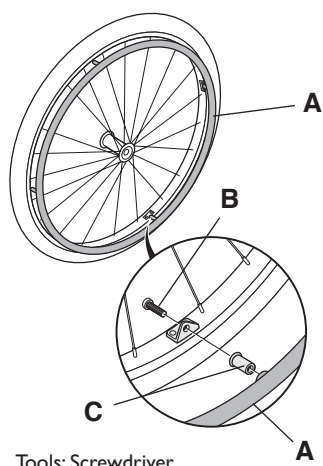


2. Rotate the push handle so that the spacer (E) touches the rear wheel's release button when pushed inwards. Adjust the spring effect using screw (A).



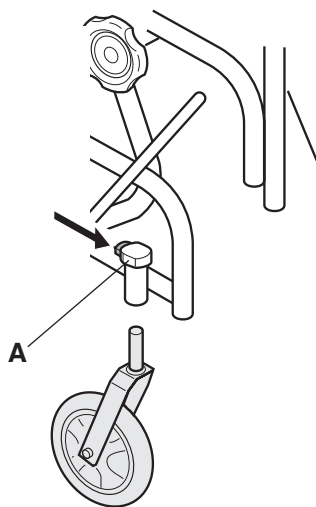
3. When the push handle is not in use, you must hook it securely round a suitable spoke as shown in the picture.

Hand rims



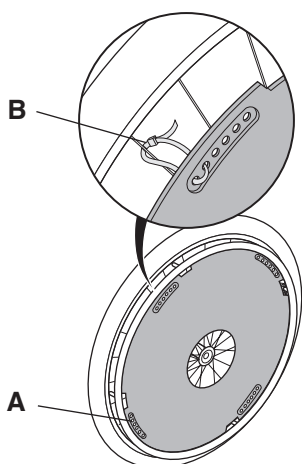
Use screws (B) and spacers (C) to attach the hand rims (A) to the wheels.

Castors



Castors (+ castor forks) are removed by first depressing button (A) and then pulling the castor (+ castor fork) directly downwards.

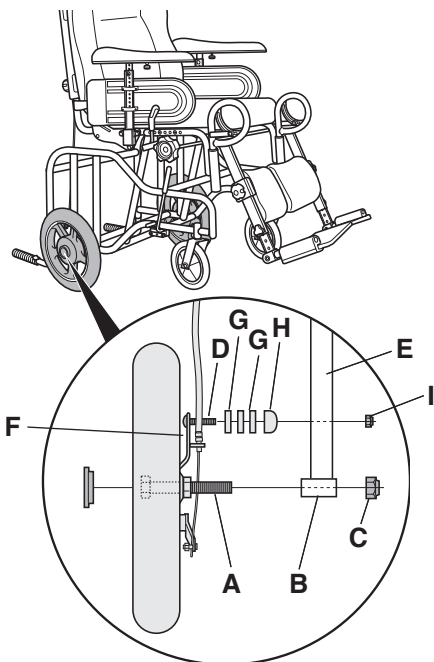
Spoke-guards



Position the spoke-guard so that its recesses (A) are in alignment with the hand-rim fixing points. Use tying tags (B) to secure it in position. When tied in position, cut off any excess tag.

Transportation wheels

1.



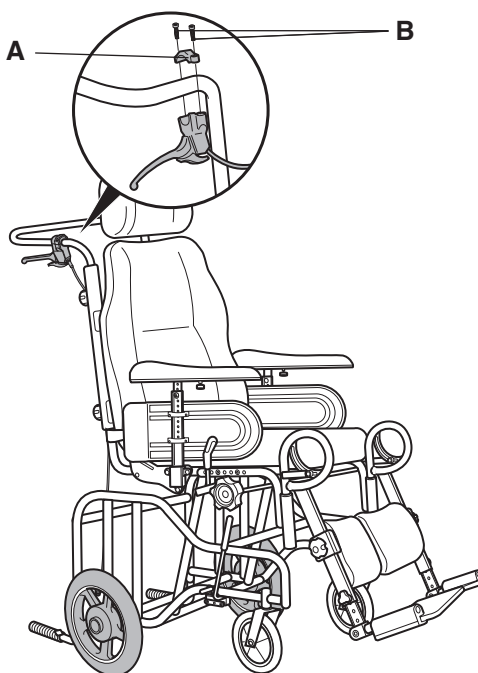
Tools: 10 mm fixed spanner
19 mm fixed spanner
19 mm hylsnyckel

1. Carer-operated brake

To fit the carer-operated brake, first remove the drive wheel plate (see page 3). Then slide the 12" wheel axle (A) into tube (B). Use nut (C) to secure it in position.

To fix the brake unit in position screw (D) should be located into tube (E). This is done by inserting screw (D) through the hole in plate (F). The plastic washer (G) and spacer (H) should be fitted between the plate and the tube. Finally, tighten nut (I) onto screw (D), on the other side of the tube.

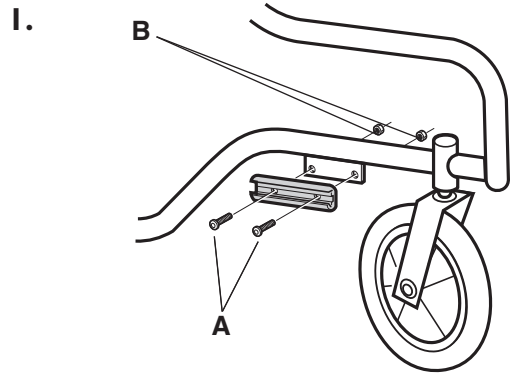
2.



Tools: Screwdriver

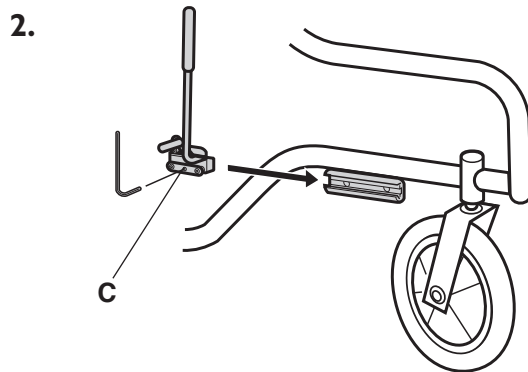
2. The brake lever is attached to the push handle by holding fitting (A) above the handle and then locating the brake lever underneath. Secure in position with screws (B).
There are three different brake positions.

Brake



Tools: 4 mm Allen Key
10 mm fixed spanner

1. Use screws (A) and nuts (B) to attach the brake bracket to its mounting plate.



Tools: 5 mm Allen Key

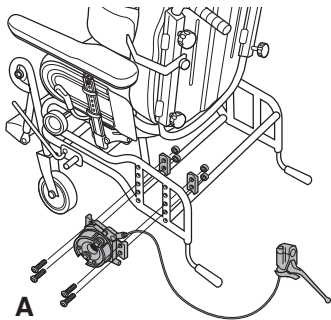
2. Slide the brake into the bracket, insert an Allen key into the hole and tighten screw (C).



Incorrect adjustments or use of the brake can reduce the effectiveness of the brake.

Carer-operated brake

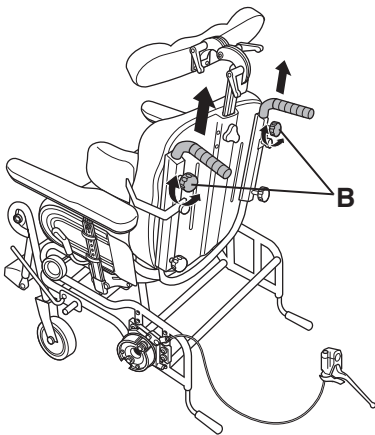
1.



Tools: 10 mm fixed spanner

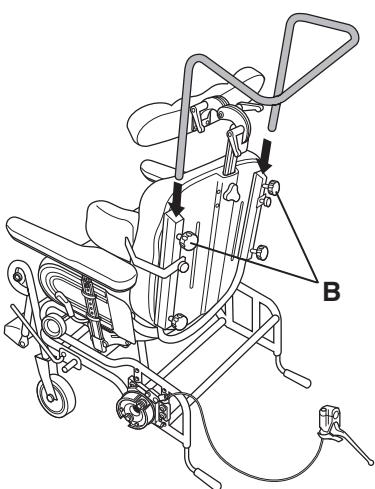
1. Remove the existing drive wheel plate by removing screws (A). Fit The new plate with the appropriate screws.

2.

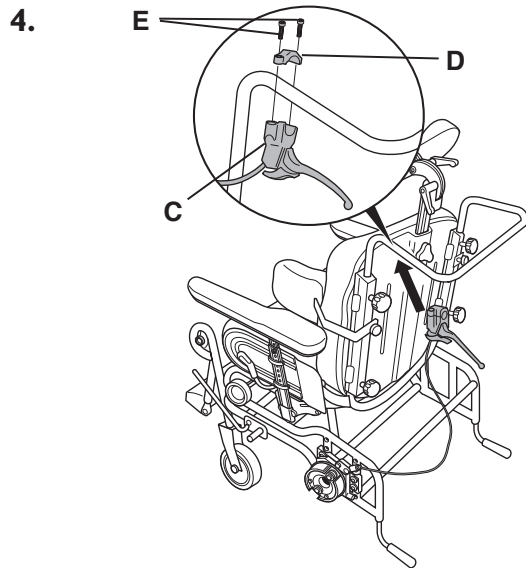


2. Remove the existing push handles by slackening the knobs (B) and then pulling the push handles directly upwards.

3.

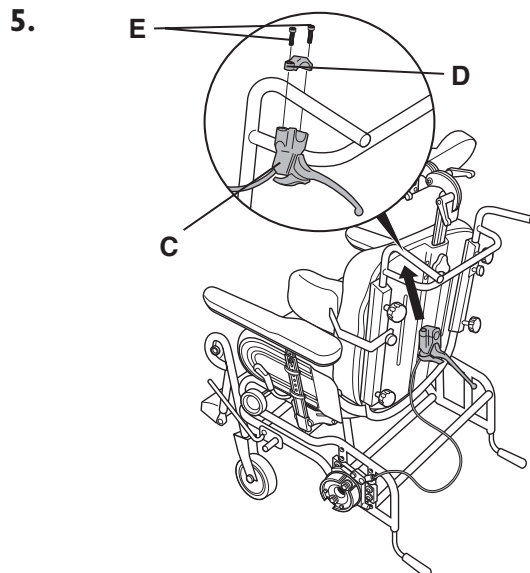


3. Insert the push bar into the backrest tubes and secure them in position by tightening knobs (B)



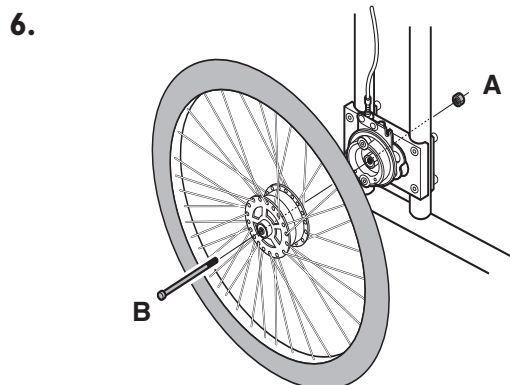
With push bar
Tools: Screwdriver

4. The brake handle is secured in position by locating brake lever (C) under the push bar and plate (D) above it. Then secure in position with screws (E).



With push handles
Tools: Screwdriver

5. The brake handle is secured in position by locating brake lever (C) under the push bar and plate (D) above it. Then secure in position with screws (E).



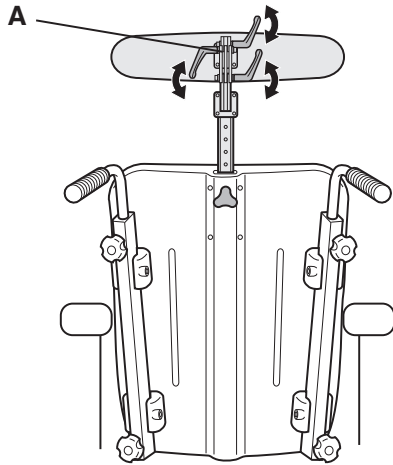
Tools: 19 mm fixed spanner
19 mm hylsnyckel

6. The new rear wheel can be mounted either by using a Quick-Release axle or a fixed axle. Mount the fixed axle by inserting the axle (B) into the hub of the wheel and tightening it against the rear wheel attachment with the nut (A)



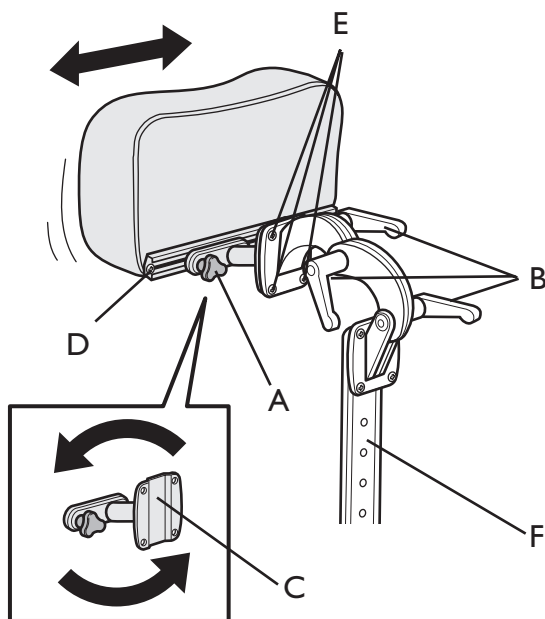
Incorrect adjustments or use of the brake can reduce the effectiveness of the brake.

Headrest/Neckrest



Fix the headrest/neck-rest into the top of the central support and secure in position with knob (A).

ADJUSTABLE HEADREST/NECKREST



To adjust the neckrest/headrest sideways loosen the knob/screw (A). Adjust to a new position and tighten the knob/screw (A). Adjust the angle and height by loosen the handles (B). Change to a new position and tighten the handles (B).

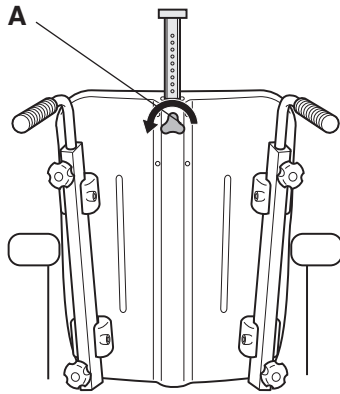
To get maximum sideway movement you can turn around the attachment (C). The knob/screw (A) should sit on the left side of the attachment to get maximum sideway movement to the left and on the right side of the attachment to get maximum sideway movement to the right.

Take away the attachment (C) by loosen the screws (E) and the screw (D), take out the attachment and turn around to required position. Re-tighten the screws (E) and the screw (D).



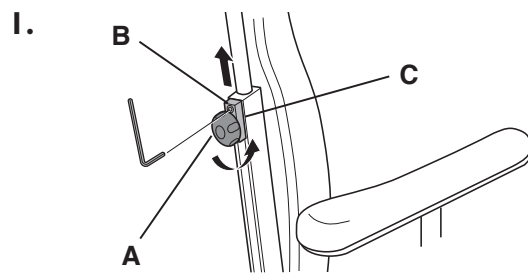
If the neckrest/headrest has been taken away, The central support (F) mustn't be left on the chair.

Central support



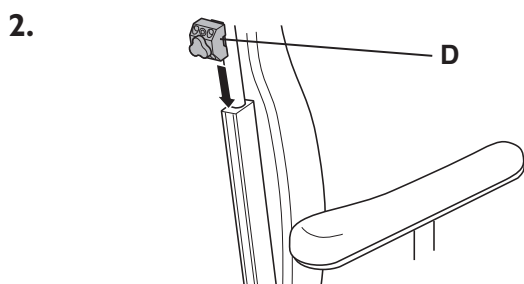
Slide the central support into the required position in its bracket and secure in position with knob (A).

Trunk support

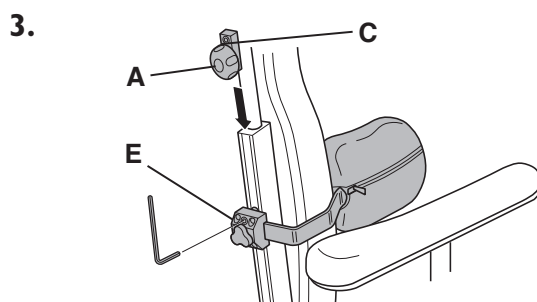


Tools: 5 mm Allen Key

1. Slacken knob (A) and screw (B). Lift locking device (C) directly upwards.



2. Fit the trunk support bracket (D) into the slot and slide it to the required height.

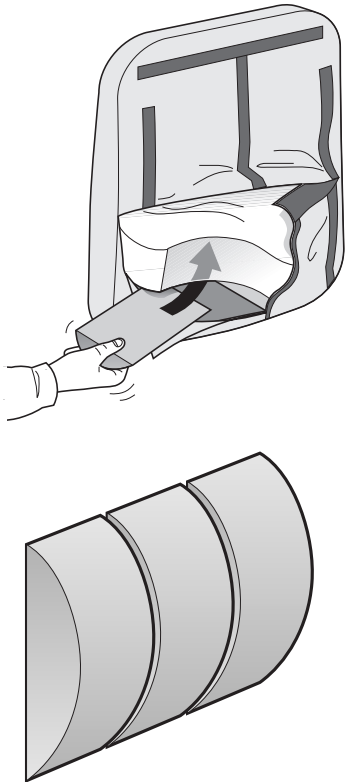


Tools: 5 mm Allen Key

3. Secure the trunk support bracket in position with Allen screws (E).

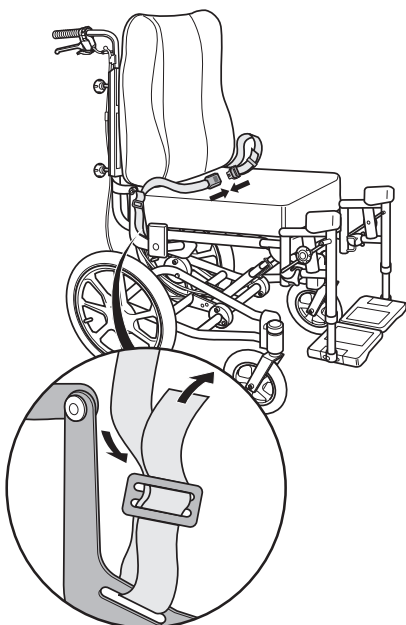
Refit the locking device (C) and ensure that knob (A) is tightened.

Lower back support



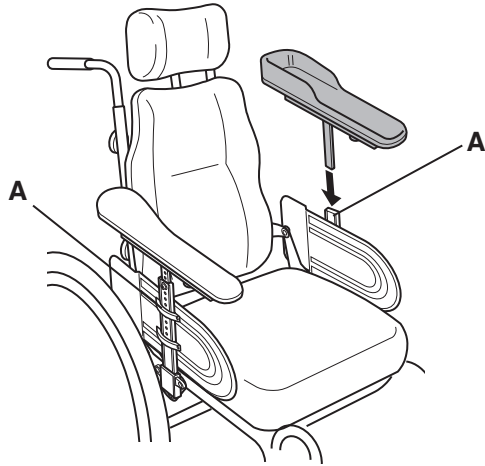
When fitting the lower back support, first remove the backrest cover. Then, position the lower back support in the required position and refit the backrest cover. Remember that the cloth flap inside the backrest cover should be pulled to the rear side, through the slot in the foam cushion.

Safety belt



The safety-belt should be attached to the brackets at each side of the wheelchair. Feed the belt through the bracket and buckle and adjust it to the required length.

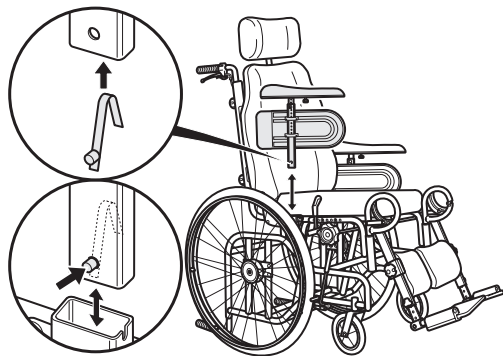
Hemiplegic armrest



Slide the hemiplegic armrest into the bracket located on the wheelchair's side-guard.

Set it at the required height and tighten knob (A).

Lock kit for armrests

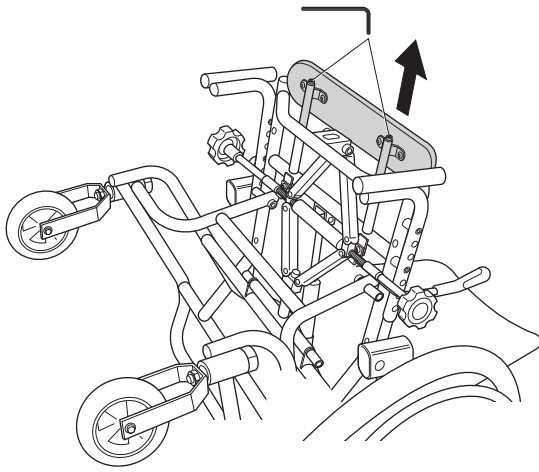


Press the autolock spring together slightly and feed it up into the armrest tube. Ensure that the button is placed correctly into the hole on the armrest tube.

The button must be pushed in to enable the armrest to be fitted into/removed from the armrest attachment on the chassis.

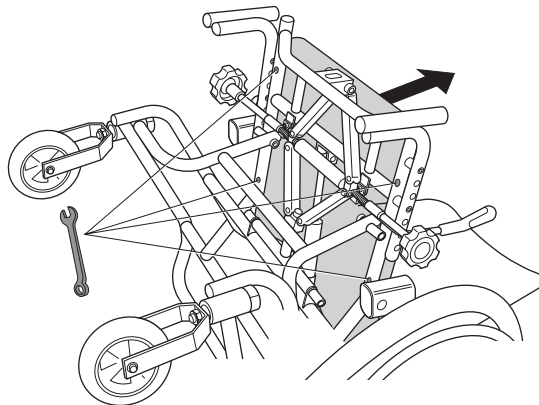
Sliding seat

1.



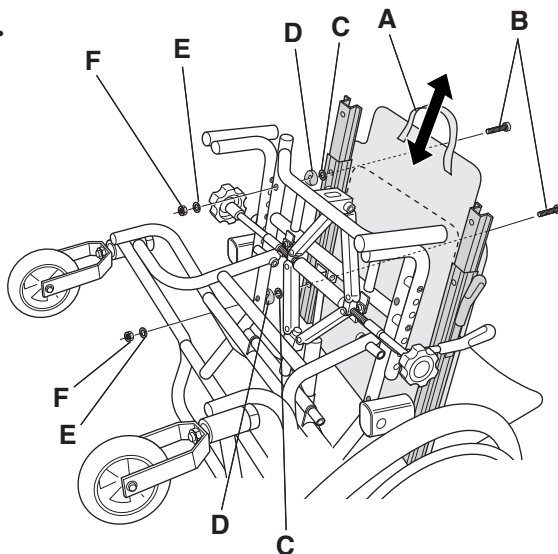
1. To fit the sliding seat: Remove the existing seat pad, armrests and legrests. Lay the wheelchair down on the floor, loosen both screws and remove the seat extension.

2.



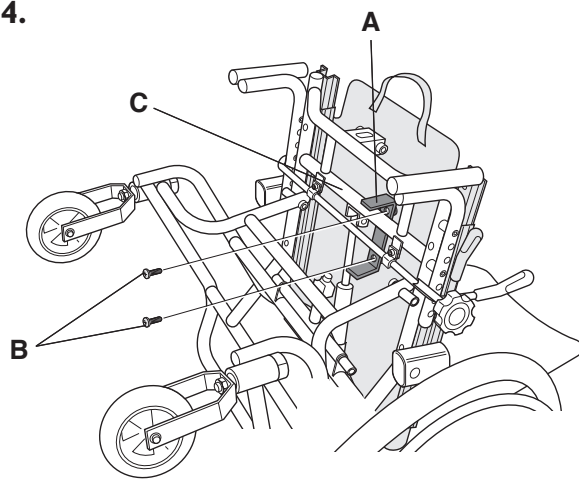
2. Remove the existing flat seat by loosening the four nuts.

3.



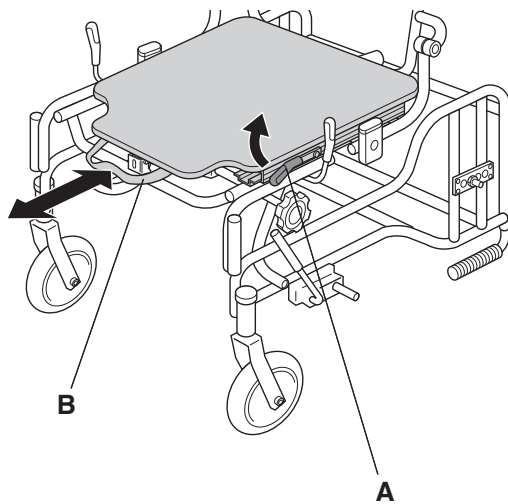
3. Pull the handle (A) and move the sliding seat forwards as far as possible. Then attach the rear section of the seat to the chassis on the right and left sides using the screw (B). Place the plastic washer (C) and spacer (D) between the sliding seat's rails and the chassis. Secure into place using washer (E) and nut (F) on the underside. Then pull the seat as far back as possible and secure the frontal section of the seat in the same way.

4.



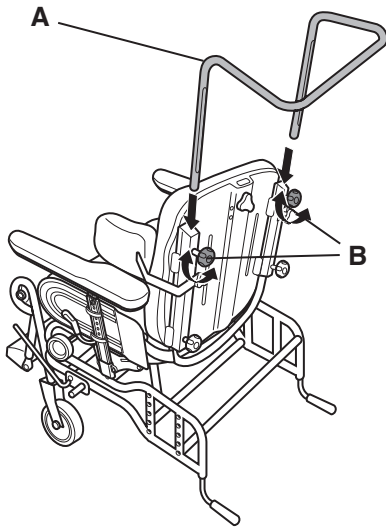
4. Then secure the seat stop (A) in the predrilled holes in the seat by tightening the screws (B). It is important that the seat stop is placed as shown in the picture so that the cross tube (transverse tube) (C) is used as a stop.

5.



5. To adjust the sliding seat, move the lever (A) upwards at the same time as you pull the handle (B) and move the seat either backwards or forwards. It is easier to adjust the seat when the user is sitting in the wheelchair.

Backrest bar

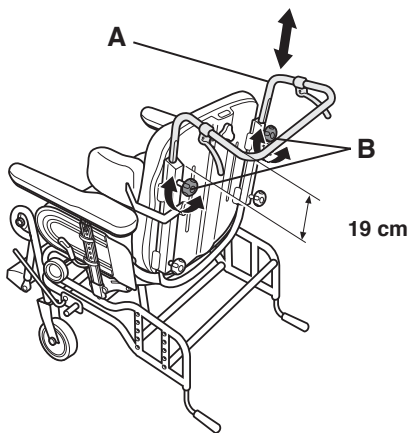


Fit the backrest bar (A) into the two mounting rails, to the rear of the backrest. Set it at the required height by tightening knob (B).



The pushbar must not be pulled up so that it protrudes more than 19 cm over the top edge of the attachment.

Backrest bar with push handles



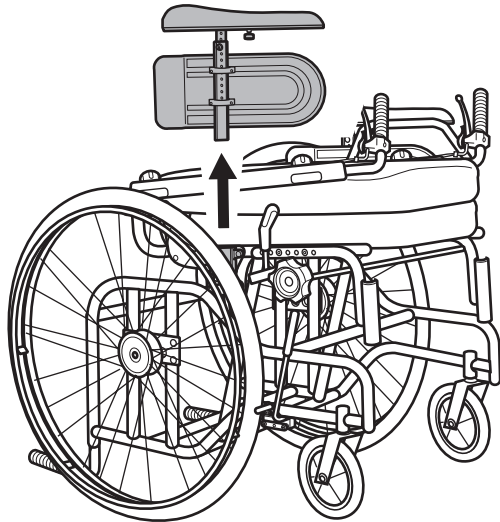
Fit the backrest bar (A) into the two mounting rails, to the rear of the backrest. Set it at the required height by tightening knob (B).



The pushbar must not be pulled up so that it protrudes more than 19 cm over the top edge of the attachment.

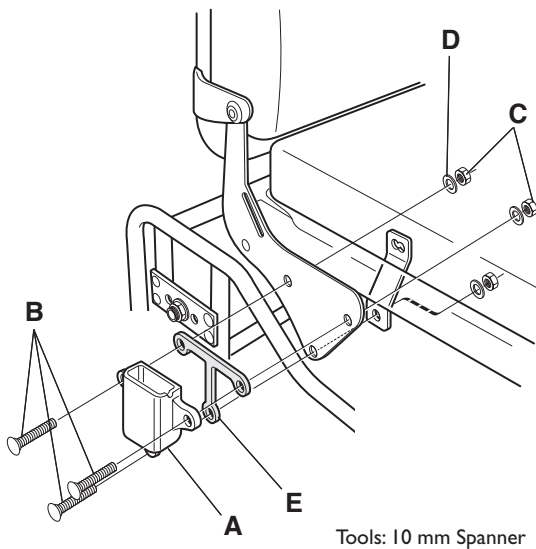
Width extension kit for armrests

1.



1. Start by removing the armrest by pulling it upwards.

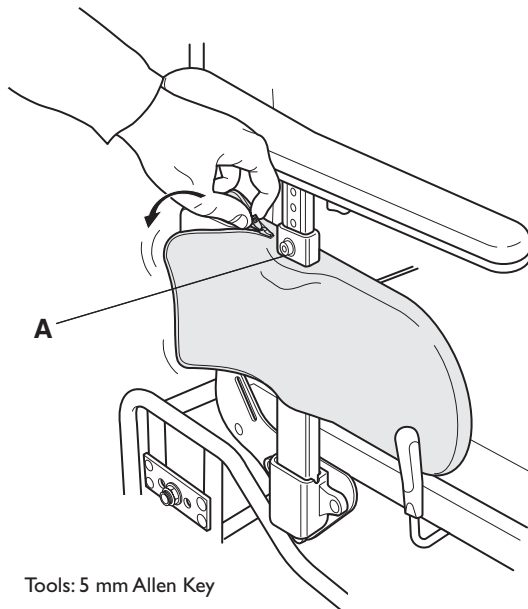
2.



2. Then remove the armrest holder (A). Do this by loosening the nuts (C) and removing the washers (D). Keep the washers for use later. Then place the spacer (E) (+10mm) behind the armrest holder (A) and refit everything in reverse order with the screws (B) (30mm) included in the kit, and tighten the screws.

Do not forget to fit the stay plate against the lower hole on the armrest attachment.

3.

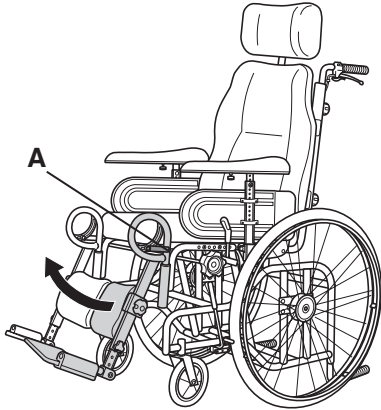


3. To increase comfort you can fit a sideguard cover over the sideguard. Start by removing the armrest from the wheelchair. Loosen the stop screw (A) to enable you to remove the armrest pad and then pull the sideguard cover over the sideguard as shown in the picture. Secure the cover by closing the zip. Refit the armrest pad and lock it into place using the stop screw (A) and replace the armrest. Repeat the same procedure for the other side.

Tools: 5 mm Allen Key

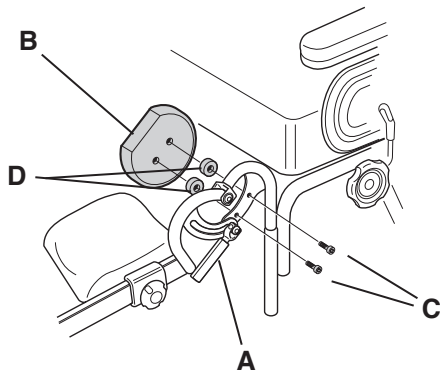
Knee-guard

1.



1. Angle the footrests outwards by slackening knob (A).

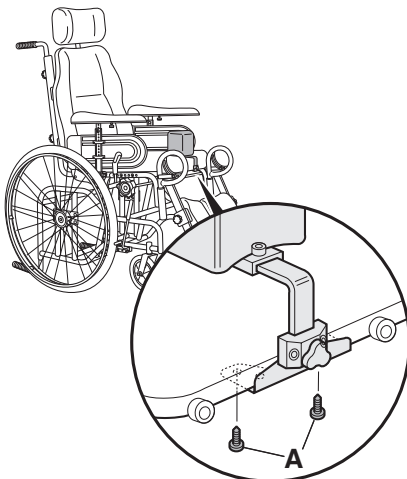
2.



2. Use screws (C) to attach the knee-guard (B) to the inside of the footrest. Spacers (D) should be positioned between the knee-guard and footrest. Swing the footrests back into position and secure in place with knob (A).

Tools: Screwdriver

Pommel

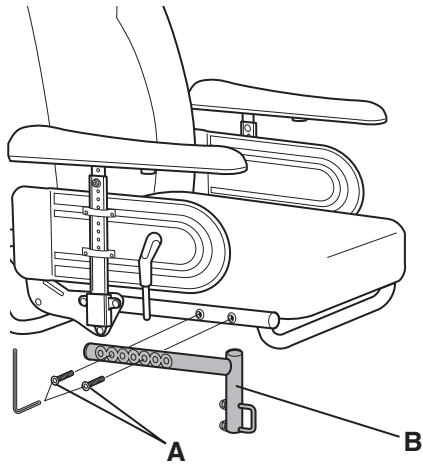


Detach the seat extension from the wheelchair. Attach the pommel to the underside of the seat extension, by screwing the four screws (A) into position. Locate the seat extension back into position.

Slacken screws (A), remove the existing bracket and fit the new bracket, in this same position. Secure in position with screws (A).

Tools: Screwdriver

Footrest bracket

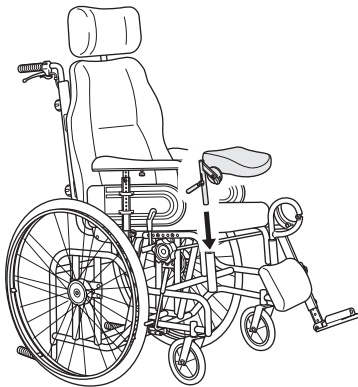


Tools: 5 mm Allen Key

Remove the existing footrest bracket by unscrewing Allen screws (A). Fit the footrest bracket in the required position, with screws (A). Then, fit the footrest (not shown) by inserting its plug (at the top of the footrest) into tube (B).

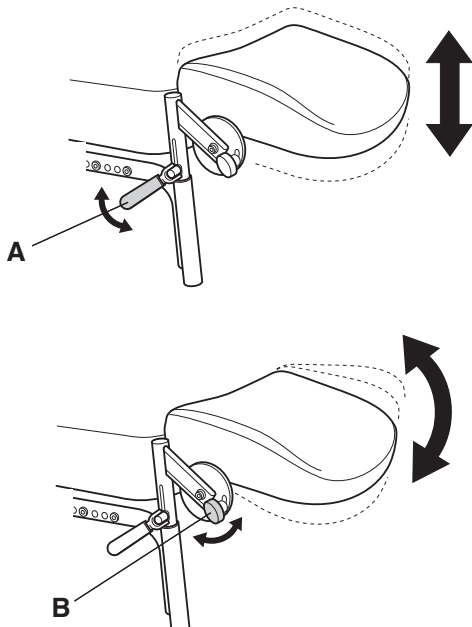
Amputee legrests

1.



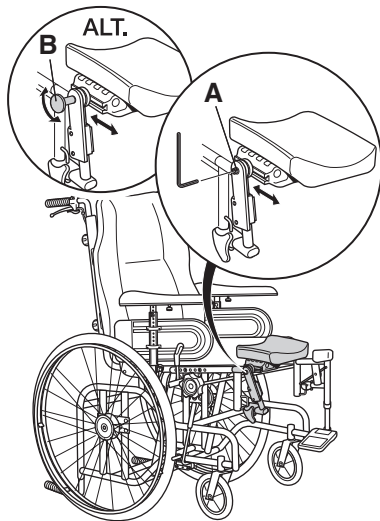
1. Remove the existing footrest and fit the amputee legrest in its attachment.

2.



2. The height of the amputee legrest can be adjusted using lever (A). Adjust to a suitable angle using knob (B).

3.

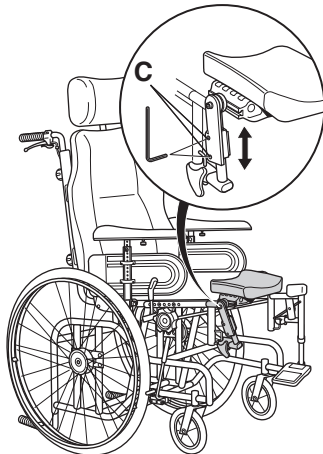


Tools: 5 mm Allen Key

3. If the wheelchair is equipped with angle-adjustable aluminium legrests, this type of amputee legrest must also be used. Remove the existing footrest and fit the amputee legrest in its attachment.

The depth and angle of the amputee legrest can be adjusted using screw (A) or knob (B).

4.

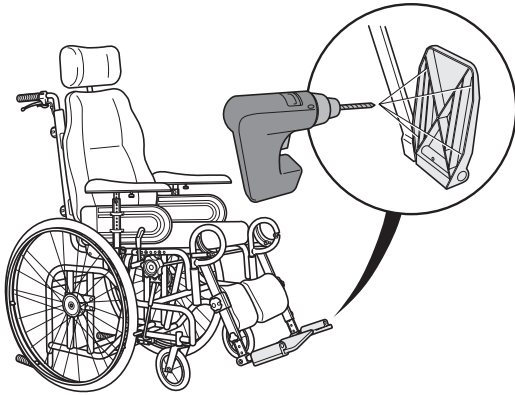


Tools: 5 mm Allen Key

4. Adjust to a suitable height using the screws (C).

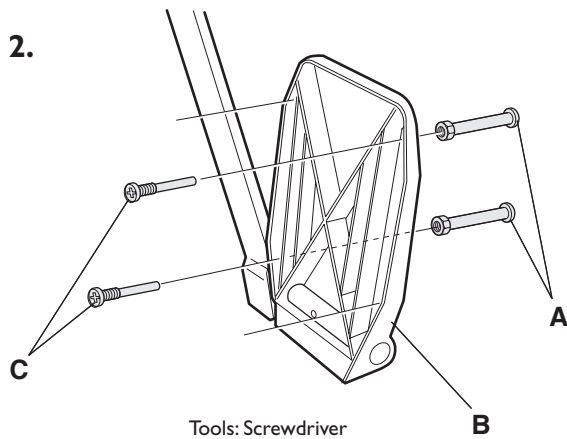
Heel straps

1.



1. Fitting heel straps to the foot plate. Certain types of foot plate include four pre-drilled holes. If the foot plate does not have these holes, they must be drilled according to the instructions/ markings on the underside of the foot plate.

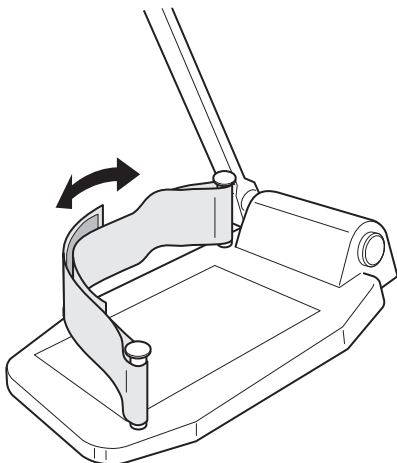
2.



Tools: Screwdriver

2. Secure the guiding pins (A) of the heel straps into the foot plate (B) using the screws (C). Note that only two of the holes are used.

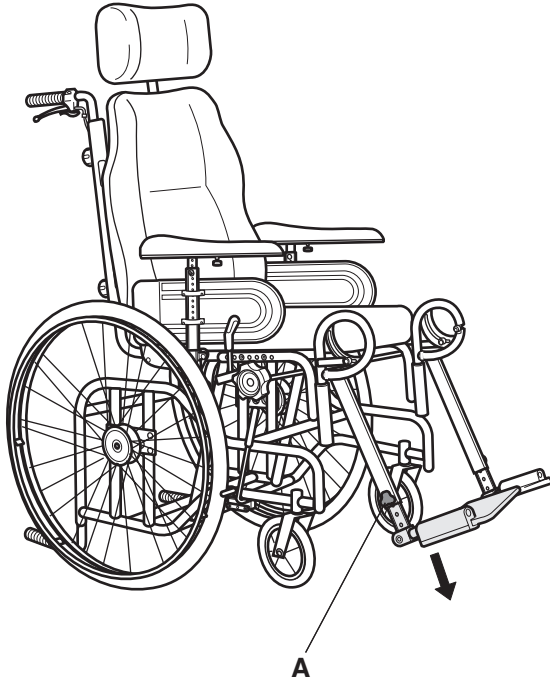
3.



3. Fit the heel straps around each guiding pin and adjust the shape and depth, etc. using the Velcro straps.

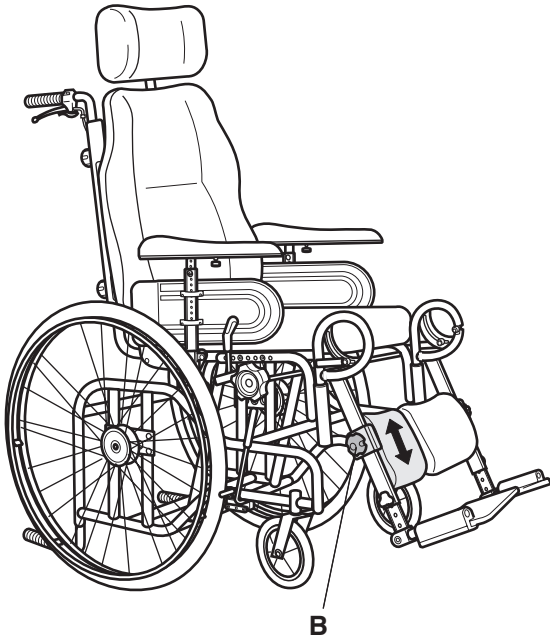
Calfrest

1.



1. First slacken knob (A), then remove the footplates and leg-rests.

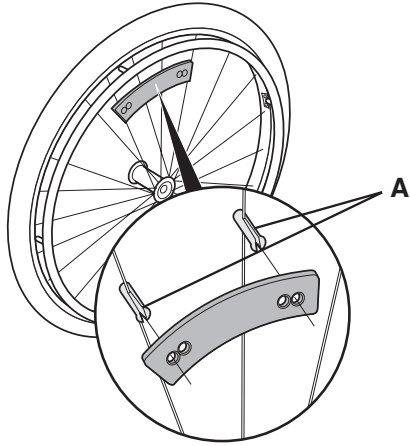
2.



2. Slide the calf rest up to the required position and secure in place with knob (B). Refit the footplates and leg-rests, then tighten knob (A).

Reflector kit

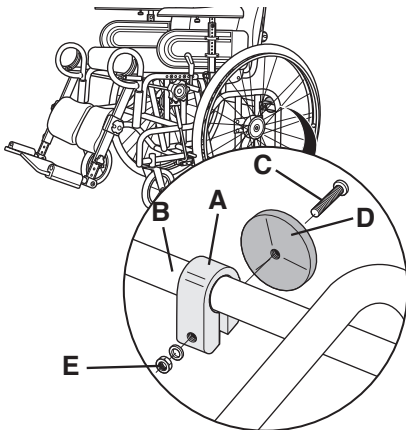
1.



1. **Orange reflector**

Press the plastic sleeves (A) onto separate spokes and then press the reflector onto the sleeves.

2.



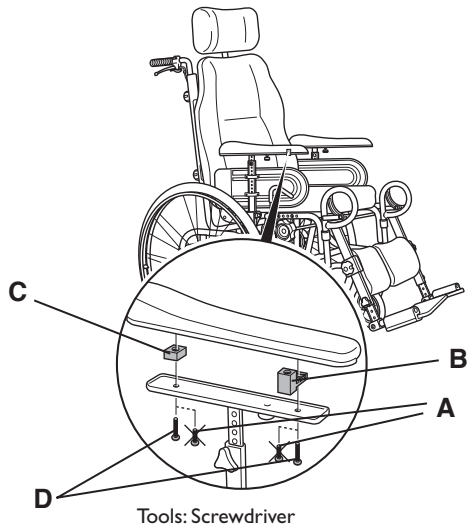
2. **Red reflector**

Position clamp (A) around tube (B). Insert an Allen screw (C), through the reflector (D), and through clamp (A). Secure in place with a locking nut (E), to the rear.

Tools: 4 mm Allen Key
10 mm fixed spanner

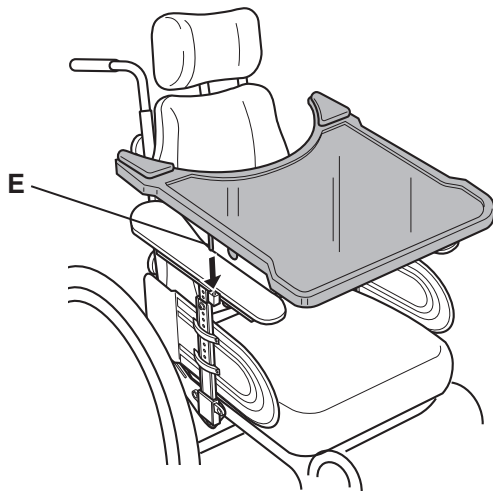
Tray

1.



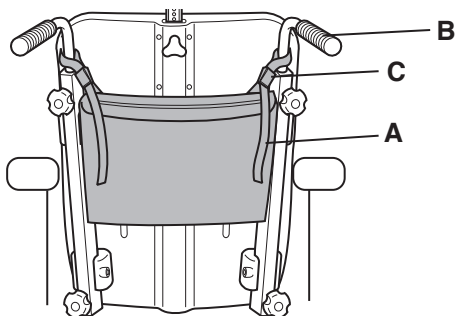
1. Slacken screws (A) on the underside of the armrest. Detach the armrest cushion. Attach the tray's mounting bracket (B), and spacer (C), between the armrest cushion and its mounting plate. Fix the armrest cushion into position with the new screws (D).

2.



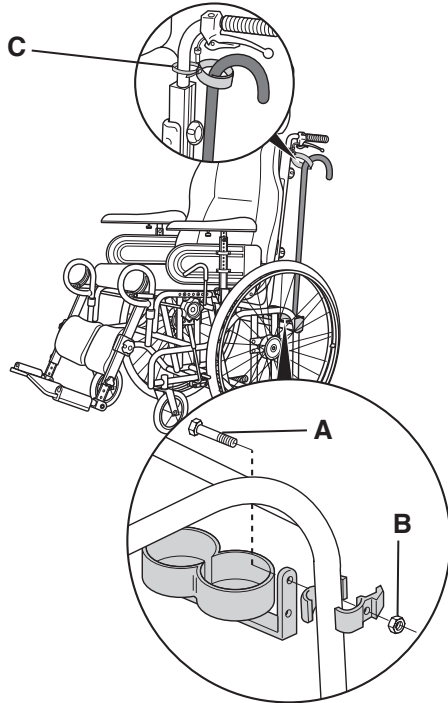
2. The tray is attached by sliding its plugs (E) into the mounting brackets (B) and then pushing downwards.

Bag



- Pull straps (A) around the back tube (B). Secure in position with fasteners (C).

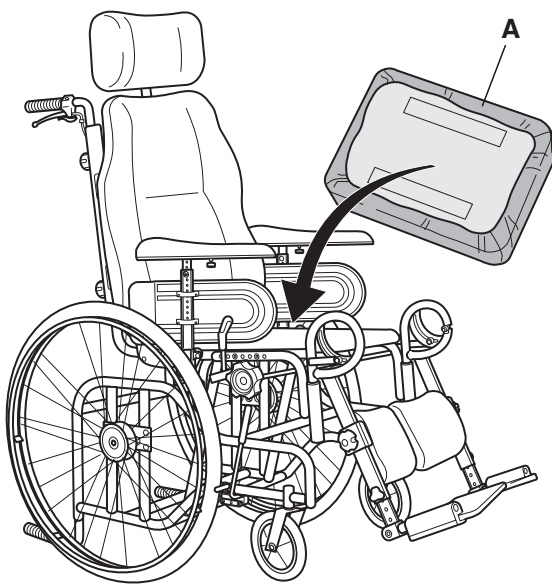
Crutch holder



Tools: 10 mm fixed spanner

Position the clamps around the fork and attach the crutch holder with screw (A) and nut (B). Feed the tying tag (C) around the push handles and fasten. Snip off any excess tag. Fasten the Velcro strap around the crutch/walking stick.

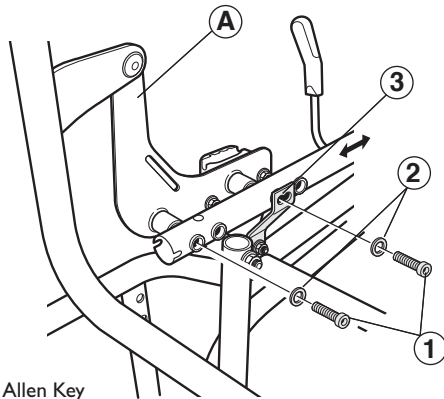
Incontinence cover



Remove the seat pad, pull the incontinence cover (A) over the pad and put the pad back into the chair.

Manual angle adjustment of the backrest

1.



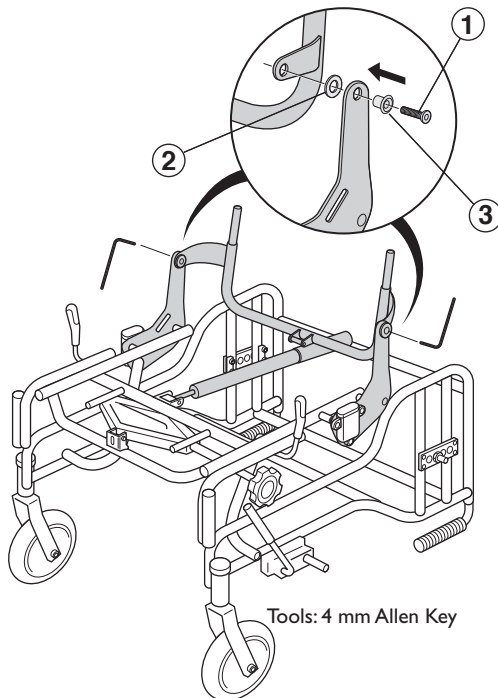
Tools: 6 mm Allen Key

1. Adjustment of the L-shaped backrest attachment

The backrest attachment (A) can be fitted in a choice of two positions depending on the seat depth that you require. Loosen the screws (1) and remove the washers (2).

Adjust the backrest attachment to the desired position and secure into place using the washers (2) and screws (1). Do not forget to fit the frontal screw through the stay plate (3).

2.

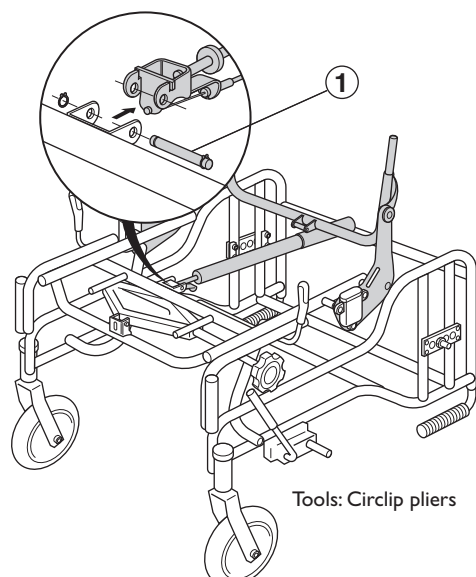


Tools: 4 mm Allen Key

2. Fitting the backrest stay

Fit the sleeve (3) through the hole in the backrest attachment and fit the washer (2) between the backrest stay and the backrest attachment. Lock into place by tightening the screw (1). Repeat for the other side of the backrest stay.

3.



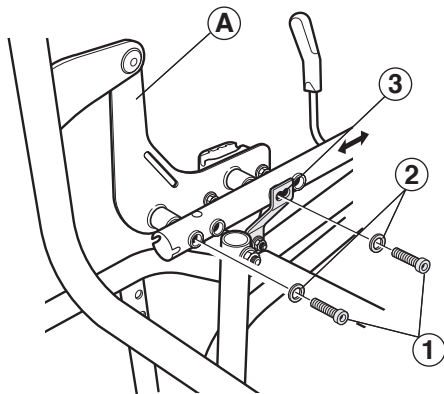
Tools: Circlip pliers

3. Fitting the gas piston for backrest angle adjustment

Place the end of the piston stem into the frontal attachment according to the picture. Feed the dowel (1) through the holes and lock into place using the circlip. Repeat the assembly procedure when fitting the other end against the backrest stay.

Electric tilt function and electric adjustment of the backrest angle

1.



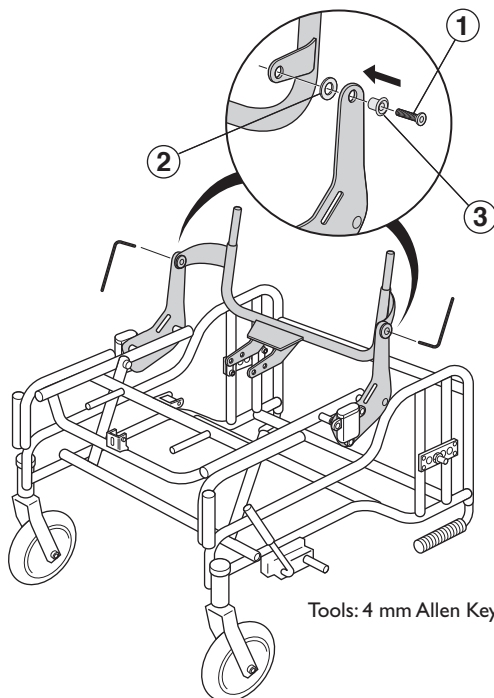
Tools: 6 mm Allen Key

1. Adjustment of the L-shaped backrest attachment

The backrest attachment (A) can be fitted in a choice of two positions depending on the seat depth that you require. Loosen the screws (1) and remove the washers (2).

Adjust the backrest attachment to the desired position and secure into place using the washers (2) and screws (1). Do not forget to fit the frontal screw through the stay plate (3).

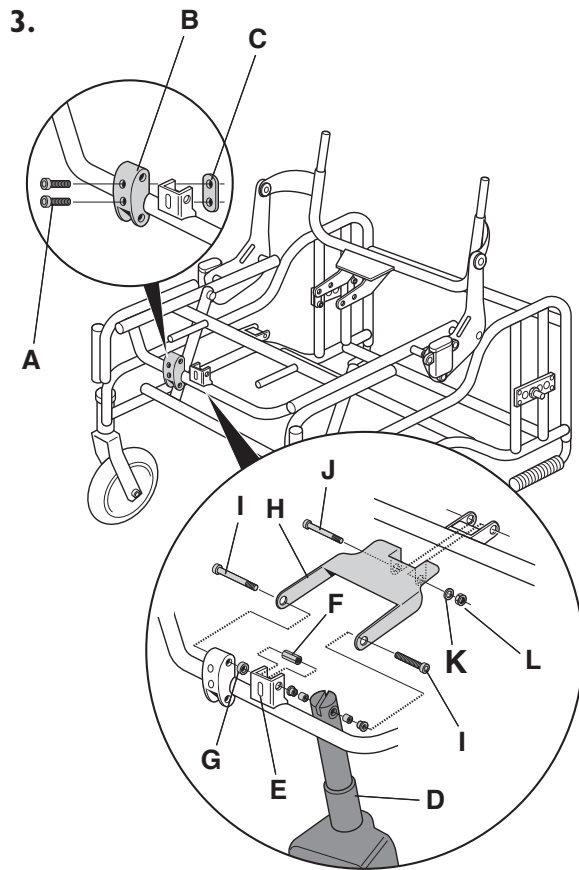
2.



Tools: 4 mm Allen Key

2. Fitting the electric backrest stay

Fit the sleeve (3) through the hole in the backrest attachment and fit the washer (2) between the backrest stay and the backrest attachment. Lock into place by tightening the screw (1). Repeat for the other side of the backrest stay.



Tools: 5 mm Allen Key
 6 mm Allen Key
 13 mm fixed spanner

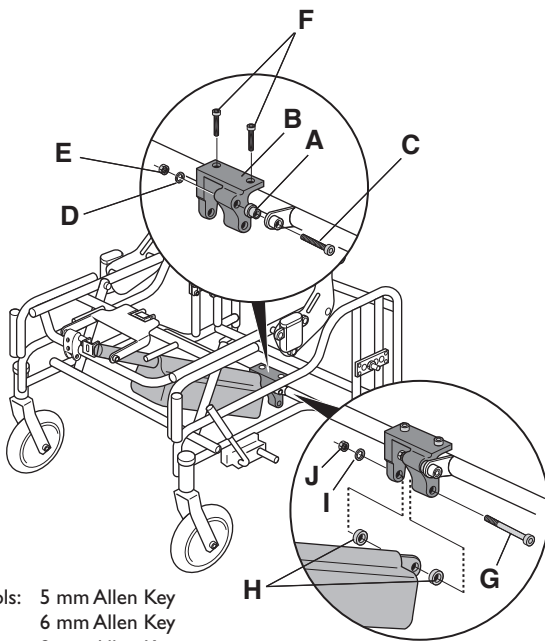
3. Fitting the frontal electric motor attachment for the tilt function and backrest angle adjustment

Fit the screws (A) through the attachment (B), place them against the tube according to the picture, and fit the plate (C) on the rear side. Secure into place but do not tighten the screws.

Fit the motor (D) for the tilt function, beside the attachment plate (E). Fit the spacer nut (F) into the attachment plate and fit the spacer (G) between the attachment plate and the motor attachment (B). Attach the front of the supporting plate (H) using a screw (I) on each side of the motor attachment/motor. Secure the back of the supporting plate using the screw (J), washer (K) and nut (L).

When you have fitted the electric motor, you must tighten the screws (A).

4.



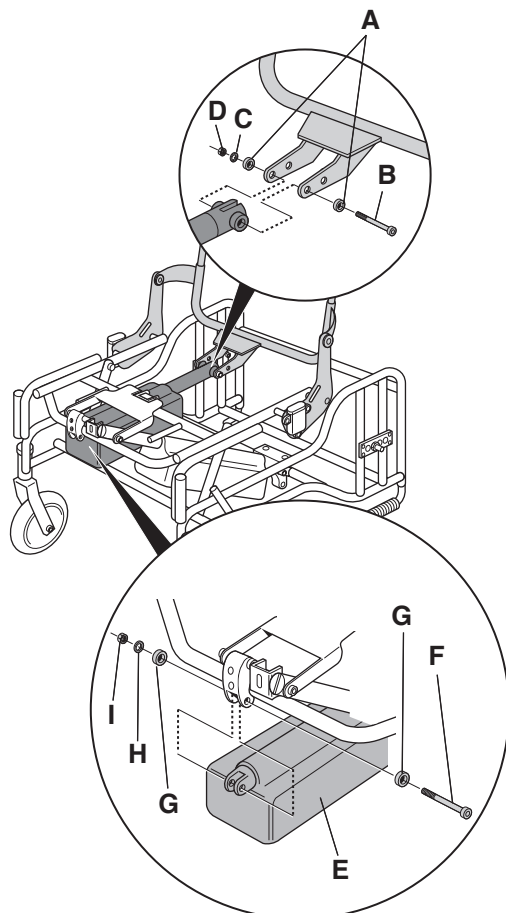
Tools: 5 mm Allen Key
6 mm Allen Key
8 mm Allen Key
13 mm fixed spanner
17 mm fixed spanner

4. Fitting the lower/rear electric motor attachment for the tilt function

Place the sleeve (A) into the hole. Place the motor attachment (B) against the sleeve and secure it using the screw (C), washer (D) and nut (E). Lock the motor attachment into place by tightening the screws (F).

Then fit the motor into the attachment using the screw (G), spacers (H), washer (I) and nut (J).

5.



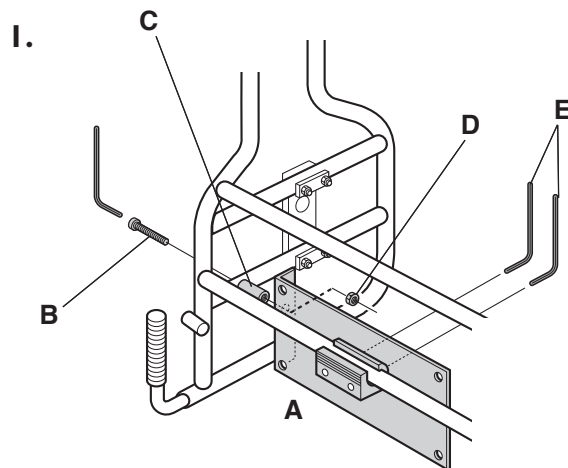
Tools: 8 mm Allen Key
17 mm fixed spanner

5. Fitting the electric motor for the backrest angle adjustment

Place the rear end of the electric motor into the attachment on the backrest stay. Thread the sleeve (A) onto the screw (B) which is then inserted through the backrest stay attachment and the end of the motor as shown in the picture. Secure the screw using the other sleeve (A), washer (C) and nut (D).

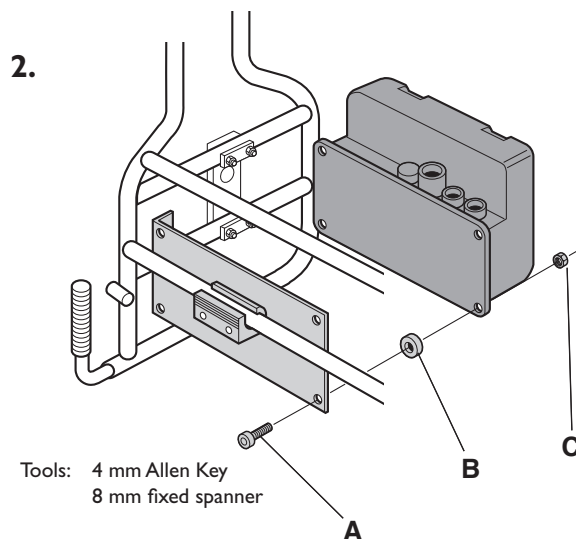
Then attach the motor (E) into the motor attachment using the screw (F), spacers (G), washer (H) and nut (I).

FITTING THE BATTERY



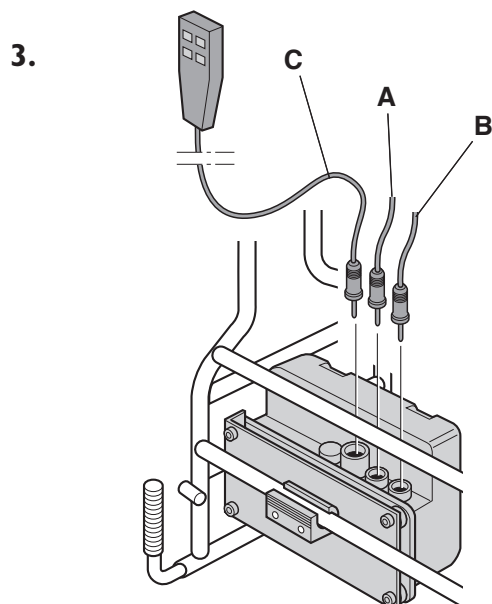
Tools: 4 mm Allen Key
5 mm Allen Key

1. Fit the battery attachment (A) onto the right-hand side of the wheelchair using the screw (B), spacer sleeve (C) and nut (D). Fit both screws (E) that hold the battery attachment in place around the lower cross (transverse) chassis tube.



Tools: 4 mm Allen Key
8 mm fixed spanner

2. Fit the battery into the attachment, fixing it in four places using screws (A), spacers (B) and nuts (C).

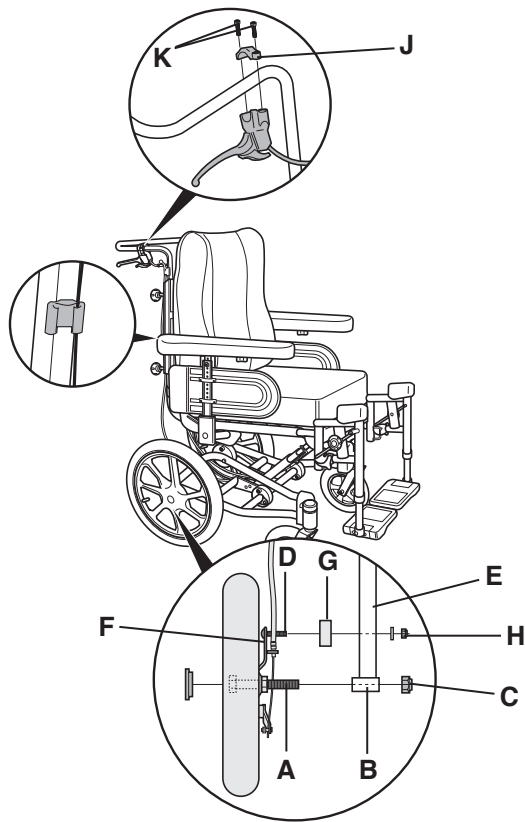


3. Put the plug for the motor for the backrest angle adjustment into the middle socket (A).

Put the plug for the tilt motor into the outer socket (B).

Put the plug on the lead for the handheld control box into the inner/larger socket (C).

Transportation wheels



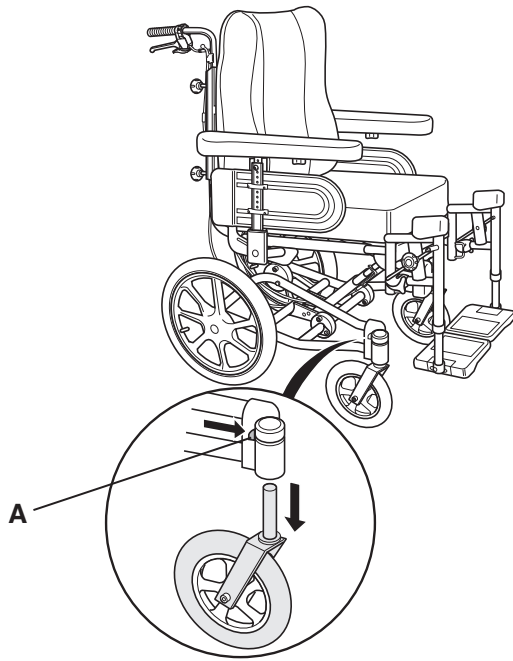
Tools: 10 mm fixed spanner
19 mm fixed spanner
19 mm boxspanner

The transportation wheels should be attached in the following manner: Insert the 16" wheel axle (A) into tube (B). Secure in place with nut (C). To secure the brake unit in position, fix screw (D) into tube (E). This is done by passing screw (D) through the hole in plate (F). Plastic washer (G) should be fitted onto the screw between the plate and the tube. Finally, tighten nut (H) onto screw (D), on the other side of the tube.

Fit the brake handle to the push handle by holding fitting (J) above it (the handle), locating the brake handle underneath and then securing everything in position with screws (K).

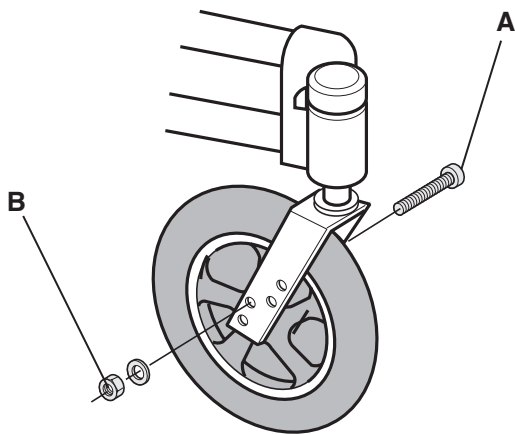
Castors

1.



1. The castors (+ castor forks) are detached by first depressing button (A) and then pulling them directly downwards.

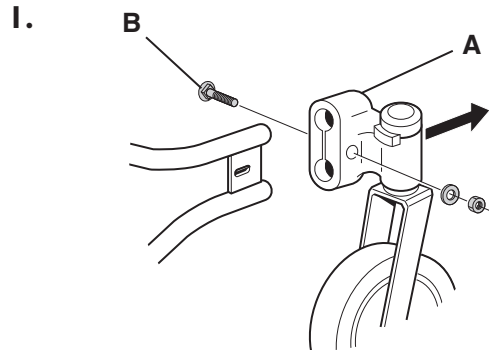
2.



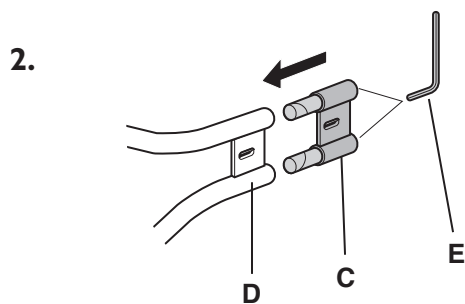
2. Replace castors in the following manner: slacken screw (A), while holding nut (B) in place on the other side of the wheel with a spanner. Fit the new wheel and secure it in position with the original screw.

Tools: 13 mm fixed spanner

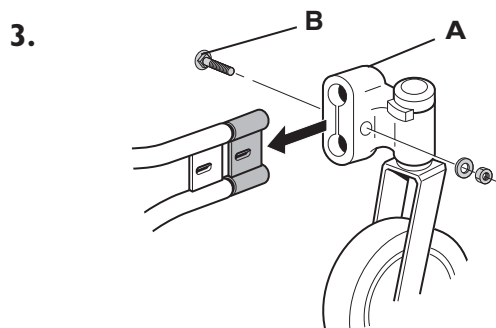
Chassis extension



Tools: 10 mm box spanner



Tools: 5 mm Allen Key



Tools: 10 mm box spanner

In order to achieve a more stable wheelchair, the castor mountings can be moved forwards by using a chassis extension.

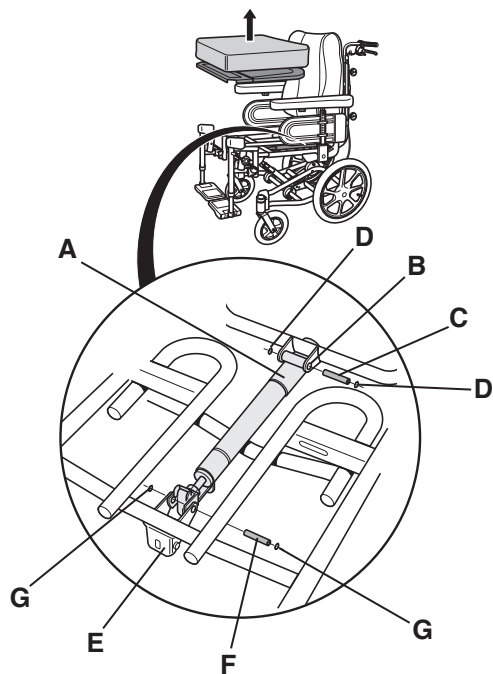
1. Detach the existing castor mounting (A) by removing screw (B).

2. Fit the chassis extension (C), ensuring that it is fully inserted into frame tube (D). Use an Allen key (E) to tighten the screws.

3. Refit the castor mounting (A) and tighten screw (B). Ensure that it is fixed securely in position by attempting to pull on the castor mounting.

Manual tilting and angling of the backrest

I.



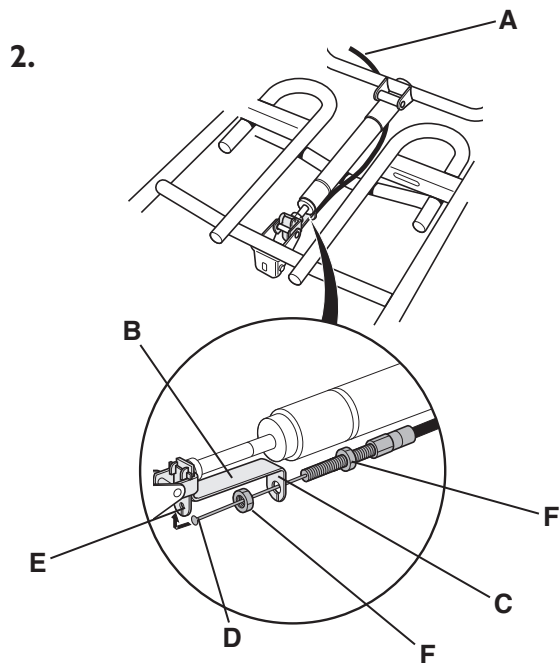
Tools: Circlip pliers

I. Manual angling of the backrest

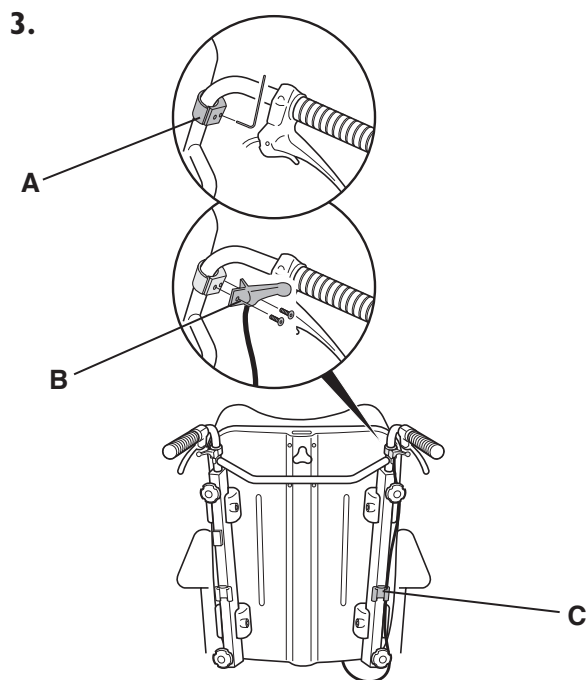
First, remove the seat cushion and seat-base. The piston should be fitted from above.

Locate the lacquered end of the piston (A) into bracket (B) on the backrest, insert pin (C) and fit a circlip (D) into each end of the pin.

Fix the other end of the piston into the seat's forward frame tube (E), insert pin (F) and fit a circlip (G) into each end of the pin.



Tools: 10 mm fixed spanner



Tools: 2.5 mm Allen Key
Screwdriver

Fitting the cable

The cable should be fitted from above, see page 39.

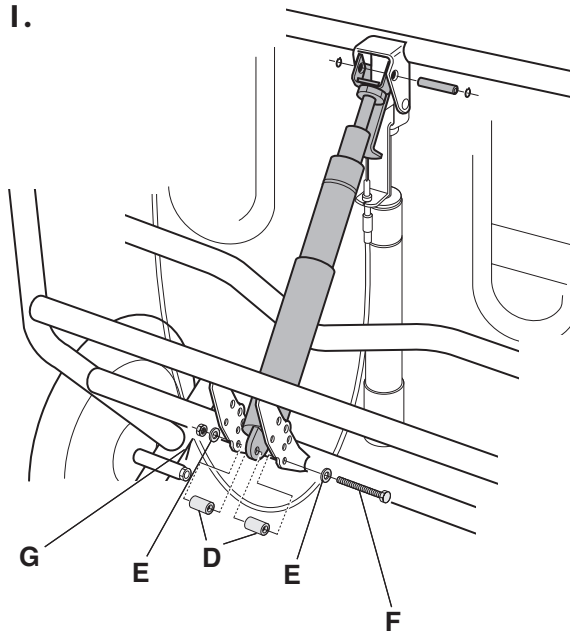
2. Feed the cable (A) through fitting (B), as shown in the diagram. Feed it through fitting (C) and then feed the end of the cable (D) into fitting (E). Tighten nuts (F) against one another.

3. Run the cable up to the right-hand push handle. Use an Allen key to secure fitting (A) in position. Use the two screws to secure the operating handle (B) in position. Feed the cable into fitting (C) on the backrest rail, so as to hold the cable in place.

Tension the cable via the nuts next to the piston, see diagram 1. There should be a minimal amount of slack in the operating handle (B)

Manual tilting of the backrest and seat

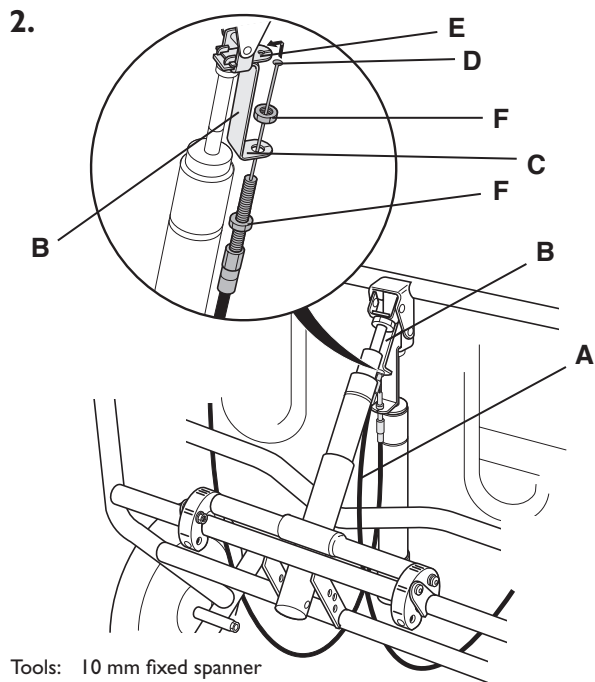
First, remove the seat cushion, seat-base and footrests. Lay the chair on its backrest, so that the piston can be fitted from the front.



Tools: 5 mm Allen Key
13 mm fixed spanner
Circlip pliers

- I. Angle the piston downward into the correct position - see table. Position the spacer (D) between the gas piston and the attachment. Insert the screw (F) and washers (E) through the gas piston and the attachment. Tighten nut (G).

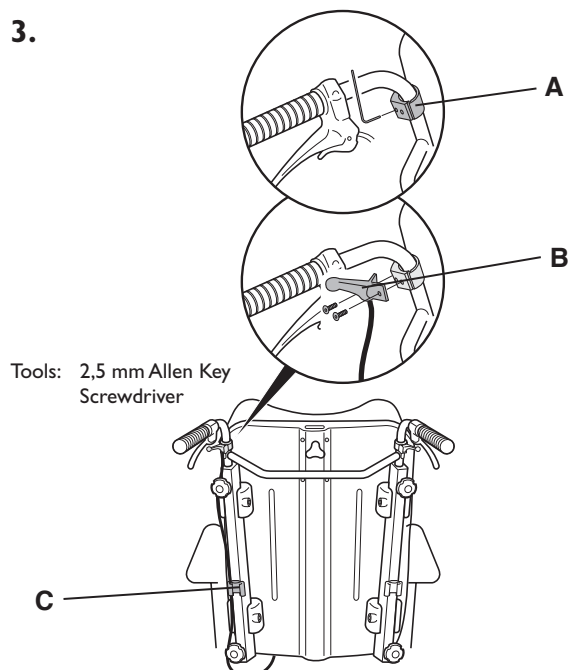
	Electric. NI Gas piston NI	Electric. NI Gas piston NI	Electric. NI Gas piston NI



Fitting the cable

Lay the wheelchair on its backrest

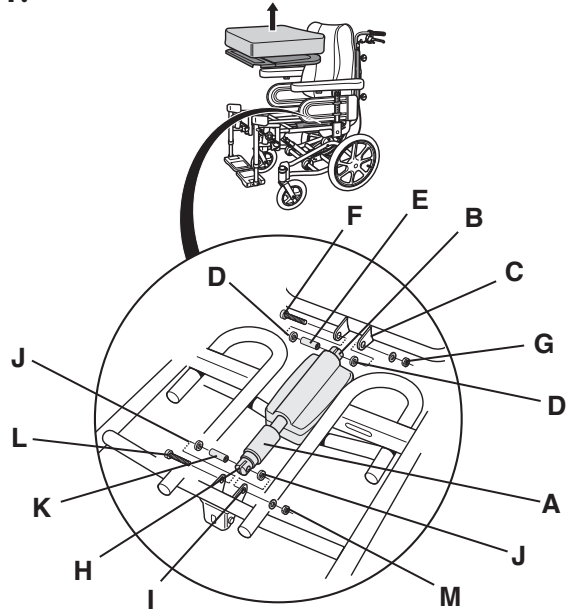
2. Feed cable (A) through fitting (B), as shown in the diagram. Feed it through fitting (C) and then feed the end of the cable (D) into fitting (E). Tighten nuts (F) against one another.



3. Run the cable up to the right-hand push handle. Use an Allen key to secure fitting (A) in position. Use the two screws to secure the operating handle (B) in position. Feed the cable into fitting (C) on the backrest rail, so as to hold the cable in place. Tension the cable via the nuts next to the piston, see diagram 1. There should be a minimal amount of slack in the operating handle (B).

Electrically powered tilting and angling of the backrest

I.



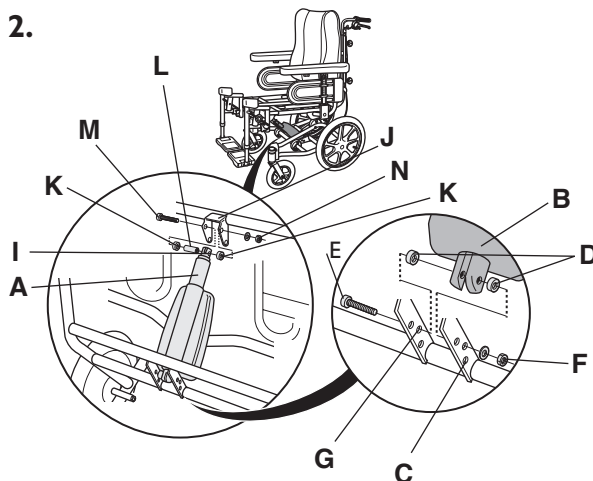
Tools: 6 mm Allen Key
13 mm fixed spanner

I. Angling of the backrest

First, remove the seat cushion, seat-base and fit the motor from above. The short shafted motor (A) is to be fitted here. Fit one end (B) of the motor into the mounting on the backrest bar (C). Plastic sleeves (D) and sleeve (E) should be located to the inside of mounting (C). Feed screw (F) through mounting (C), the plastic sleeves, sleeve (E) and the end of the motor (B), fit a washer on the other side of mounting (C) and secure in place with nut (G).

Fit the other end of the motor (H) into mounting (I) on the forward frame tube. Plastic sleeves (J) and sleeve (K) should be fitted to the inside of mounting (I). Feed screw (L) through mounting (I) and through the end of the motor (H), fit a washer on the other side of mounting (I) and secure in position with nut (M).

2.



Tools: 6 mm Allen Key
8 mm Allen Key
13 mm fixed spanner
17 mm fixed spanner

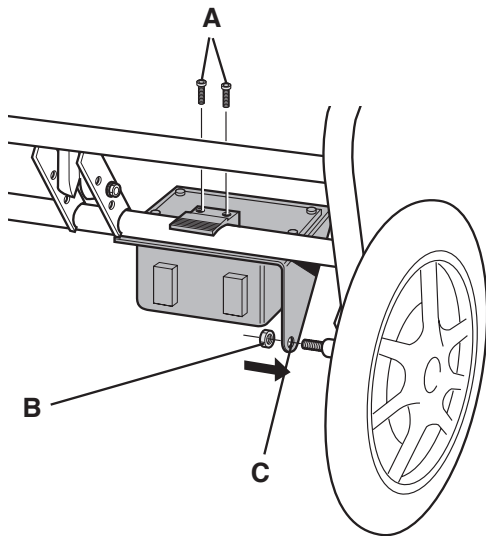
2. Tilting

Lay the wheelchair on its backrest so that the motor can be fitted from the front. The motor with the longer shaft (A) should be fitted here. Locate one end of the motor (B) into mounting (C) on the rear frame tube. The plastic sleeves (D) should be fitted to the inside of mounting (C). Feed screw (E) through mounting (C), plastic sleeves (D) and through the end of the motor (B), fit a washer on the other side of the mounting and secure in position with nut (F). The other end of the motor should be attached to the central hole (G) when the plastic link, not shown in the diagram, is in position 2.

Locate the other end of the motor (I) into mounting (J) on the frame's forward tube. Plastic sleeves (K) and sleeve (L) should be fitted to the inside of mounting (J). Feed screw (M) through mounting (J) and through the end of the motor (I), fit a washer on the other side and secure in position with nut (N).

Fitting the battery

1.



1. Lay the wheelchair on its backrest.

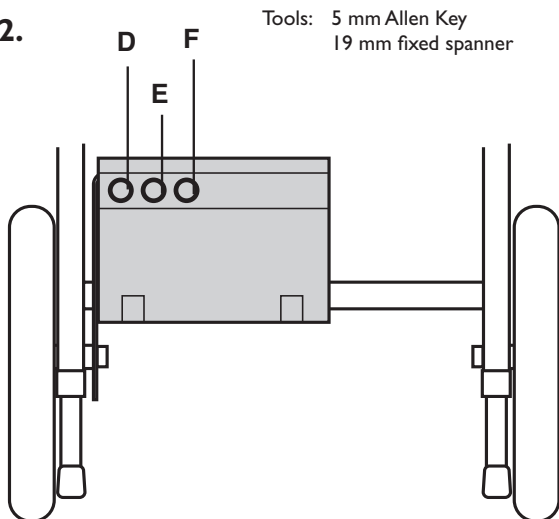
Locate the battery mounting on the rear frame tube and use an Allen key to partially tighten screws (A).

Slacken and remove nut (B) from the rear wheel.

Feed the wheel screw through the battery bracket (C) and secure in position with the nut.

Fully tighten all of the screws

2.



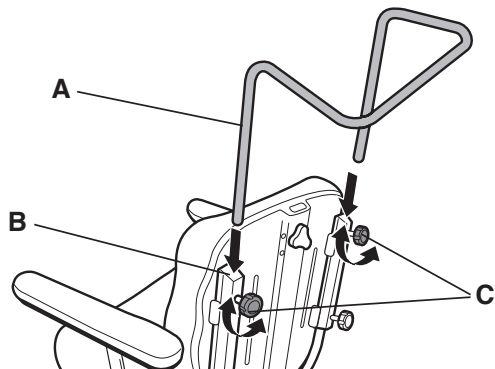
2. Connecting the leads

The battery is now viewed from behind. The lead which activates the tilting action should be inserted into the socket furthest to the left (D), the one for angling the backrest into the central socket (E) and, finally, the one for the hand control (F) into the right-hand socket.



Check to ensure that the leads are correctly connected by using the hand control to angle the seat.

Backrest bar



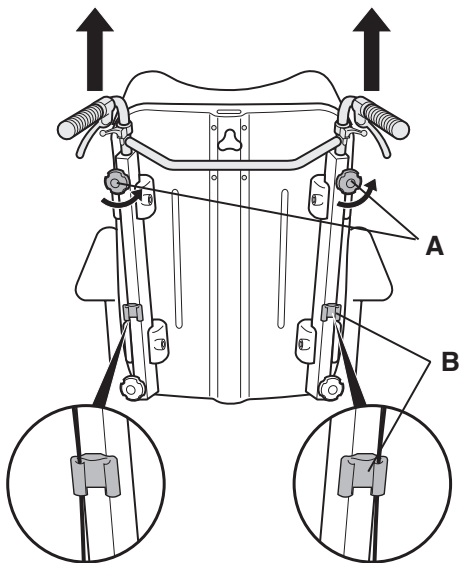
Fit the backrest bar by sliding tubes (A) into brackets (B) to the rear of the backrest. Position it at the required height and tighten knobs (C).



The backrest bar must not be raised by more than 19 cm above the top edge of its brackets

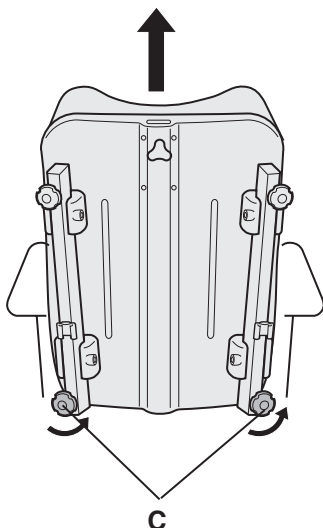
Adjustable backrest

1.



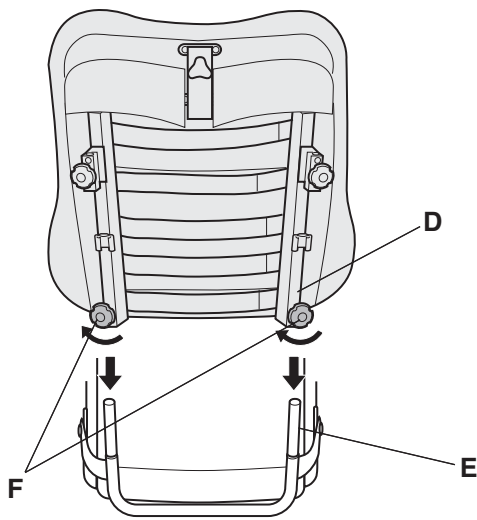
1. First, remove the push handles by slackening knobs (A) and pulling them directly upwards. Remove the cable from its clip (B) and place the push handles and cables on the floor.

2.



2. Remove the existing backrest by slackening knobs (C) and then pulling the backrest directly upwards.

3.

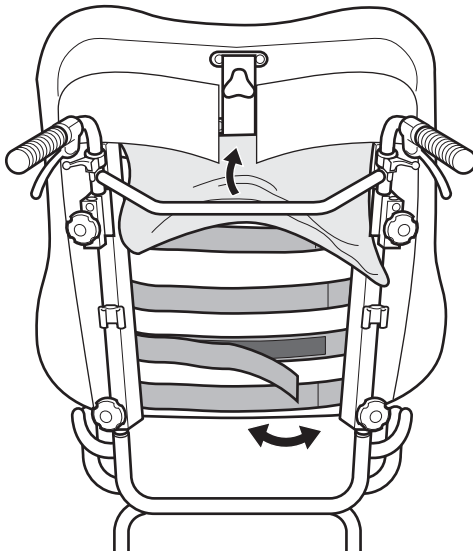


3. Fit the adjustable backrest by inserting its rails (D) into the frame's backrest tubes (E). Be careful to ensure that the backrest is pushed down as far as possible. Secure the backrest in position by tightening knobs (F). Refit the push handles, see diagram 1.



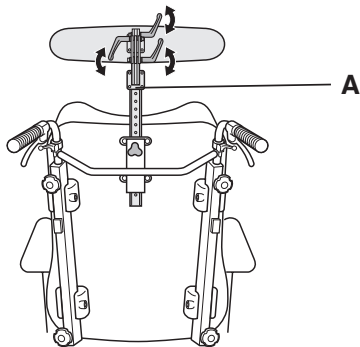
Ensure that you push the backrest down as far as possible.

4.



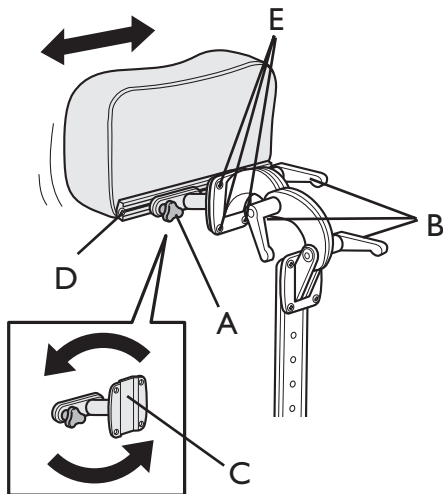
4. Lift up the flap at the back and adjust the shape of the backrest using the Velcro strips.

Headrest/Central support



Fit the headrest on to the top of the central support and tighten knob (A).

Adjustable headrest/neckrest



To adjust the neckrest/headrest sideways loosen the knob/screw (A). Adjust to a new position and tighten the knob/screw (A). Adjust the angle and height by loosen the handles (B). Change to a new position and tighten the handles (B).

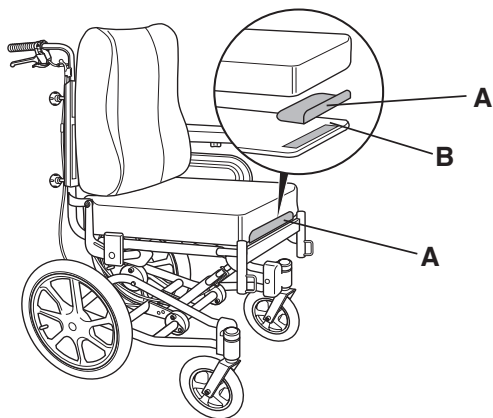
To get maximum sideway movement you can turn around the attachment (C). The knob/screw (A) should sit on the left side of the attachment to get maximum sideway movement to the left and on the right side of the attachment to get maximum sideway movement to the right.

Take away the attachment (C) by loosen the screws (E) and the screw (D), take out the attachment and turn around to required position. Re-tighten the screws (E) and the screw (D).



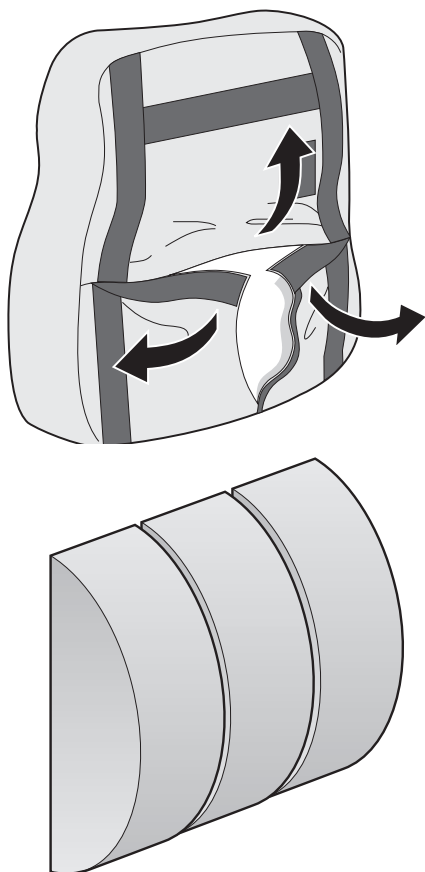
If the neckrest/headrest has been taken away, The centre rod (F) mustn't be left on the chair.

Seat pad stop



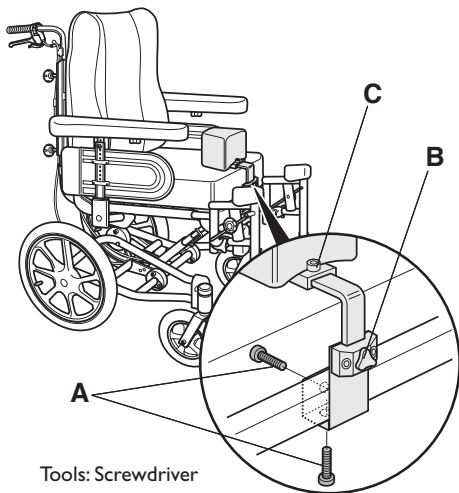
Start by removing the seat pad. Attach the seat pad stop (A) to the seat plate (B). Both the seat plate and the seat pad stop have Velcro straps that you need to attach to each other.

Lower back support



When fitting the lower back support, first, detach the backrest cushion from the backboard. Then, open the backrest cushion cover by undoing the Velcro strips to the rear and fit the lower back support in the required position. Reattach the backrest cushion to the backboard.

Leg divider

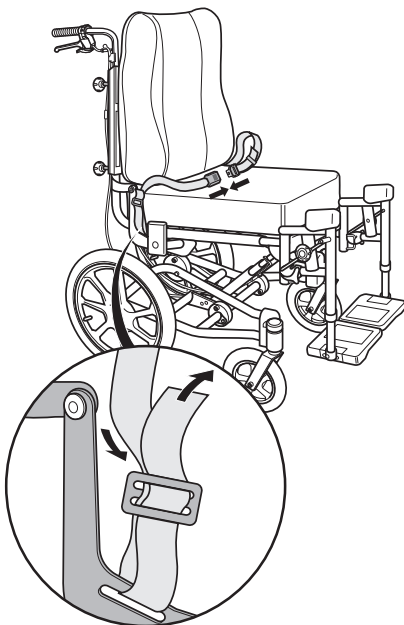


The leg divider consists of an attachment that is fitted into the seat frame of the chair and a pad.

The height and depth of the leg divider pad can be adjusted. Place the attachment at the centre of the front of the frame. Secure the attachment by tightening screw (A).

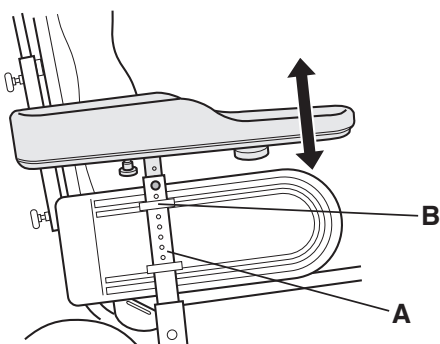
Place the pad into the attachment and adjust the height using knob (B) and the depth using screw (C).

Safety-belt



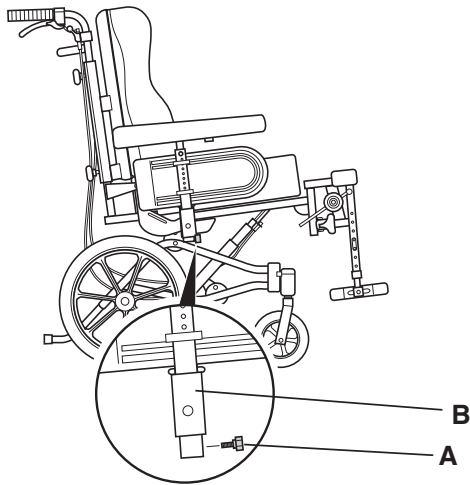
The safety-belt should be attached to the brackets at each side of the wheelchair. Feed the belt through the bracket and buckle and adjust it to the required length.

Hemiplegic armrest



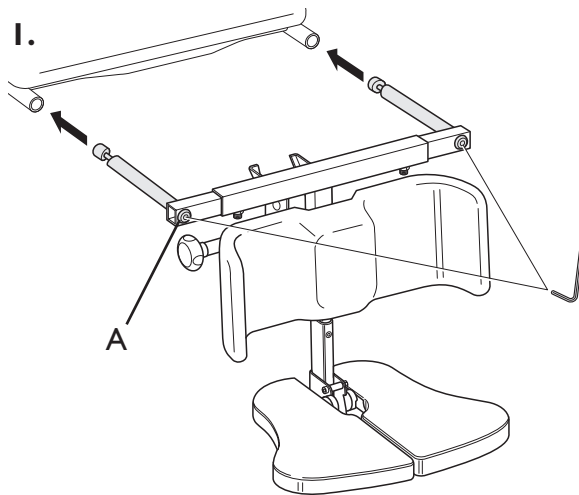
Slide the hemiplegic armrest into bracket (A). Set it at the required height and tighten knob (B).

Lockable armrest

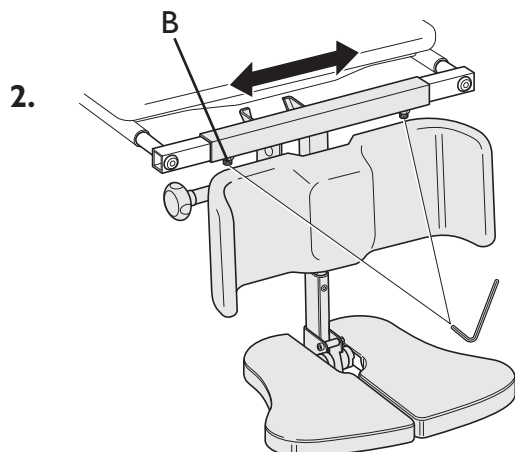


Turn knob (A) on the armrest pillar, underneath the armrest bracket (B).

Central legrest

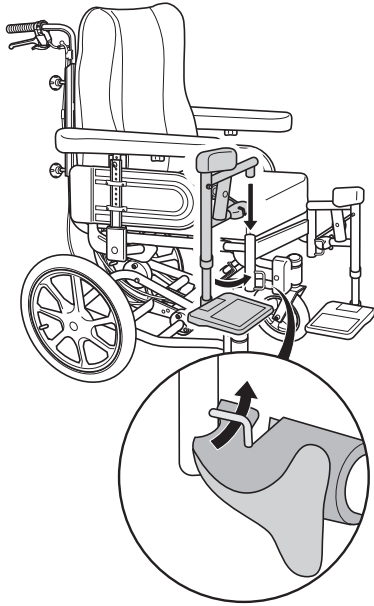


1. If you want to fit a central legrest to the wheelchair, you must first remove the existing seat extension. Use an Allen key to loosen both screws (A). Then fit the central foot plate, set the required seat depth and tighten the screws (A).



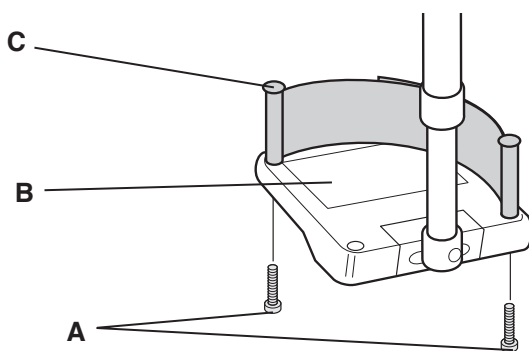
2. Adjust the legrest to a central position by loosening both Allen screws (B) as shown in the picture. When you have found the desired position, retighten the screws.

Footrests



Fit the footrests by feeding the pins (at the top of the footrests) into the wheelchair tubes. The footrests should be angled outwards when being fitted. They lock into position when subsequently angled inwards.

Heel strap

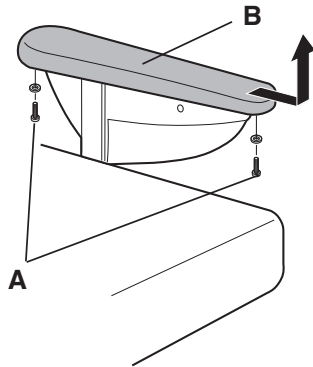


Tools: Skrewdriver

When fitting the heel strap, plastic pins should first be fixed onto the footplates. This is done by inserting screws (A) through the footplate (B) and up into the plastic pins (C) (which should be held in position on the upper side of the footplate). Tighten the screws and fit the heel strap onto the plastic pins.

Tray

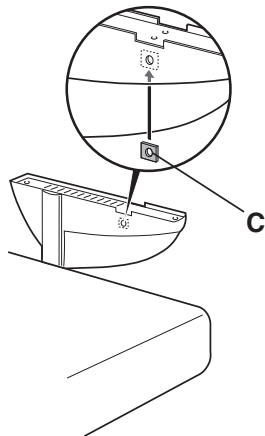
1.



Tools: Screwdriver

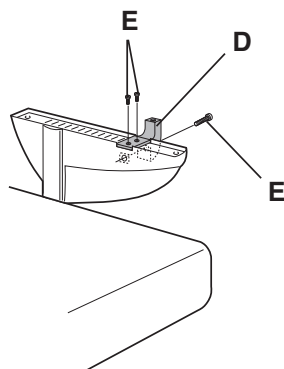
1. Slacken screws (A) on the underside of the armrest. Remove the armrest cushion (B).

2.



2. Fit nut (C) into the recess on the inside of the side-guard, so that it matches up with the hole.

3.

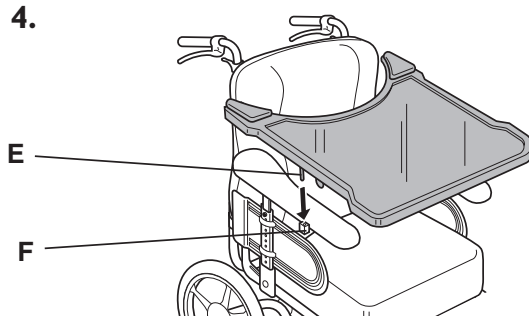


Tools: 5 mm Allen Key

3. Fit bracket (D) and secure it in position with two screws (E) from above and one screw (E) from the outside.

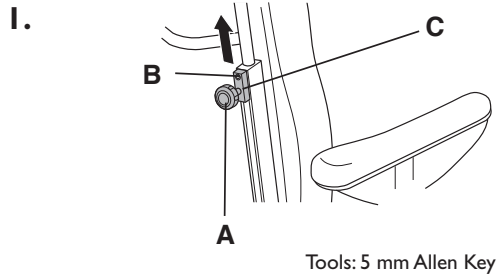
Screw the armrest cushion onto the side-guard using the two screws, see diagram 1.

4.

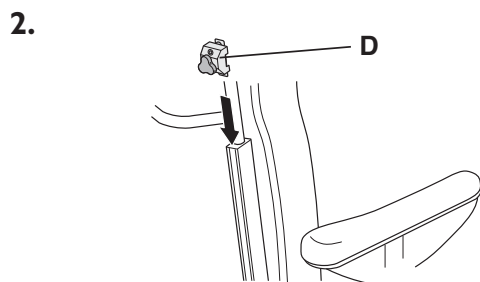


4. The tray is attached by inserting pin (E) into bracket (F) and then pressing it home.

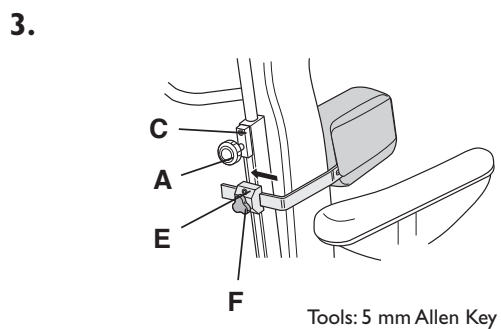
Trunk support



1. Slacken knob (A) and remove the push handles. Slacken screw (B) and pull the locking unit (C) directly upwards.

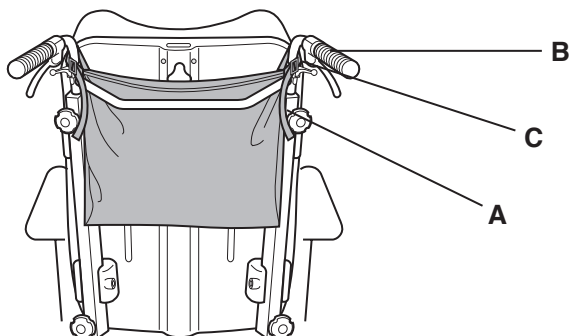


2. Locate the trunk support bracket (D) into the groove and slide it down to the required height.



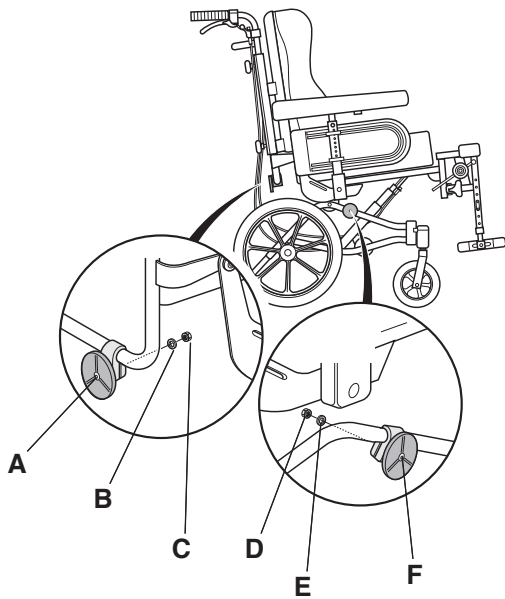
3. Secure the trunk support bracket at the required position with screws (E). Slide the trunk support arm into the trunk support bracket and secure it in position with knob (F). Refit locking unit (C), see diagram 1. Insert the push handles and secure them in position with knob (A).

Bag



- Wrap the straps (A) around handles (B). Secure in position with fasteners (C).

Reflector kit

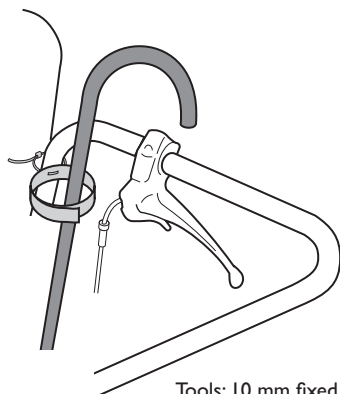
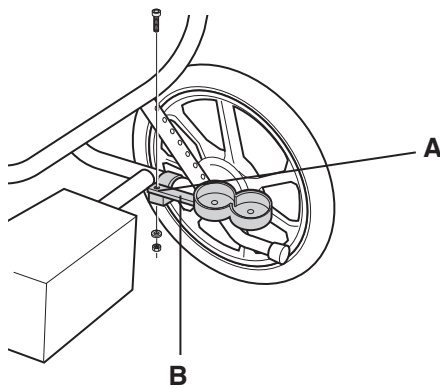


Tools: 4 mm Allen Key
10 mm fixed spanner

Slide the reflector clip onto the backrest's lower frame tube and secure in position with screw (A) and nut (B).

Den orange reflexen fästes på sidan av stolen, i övre röret på chassit med skruven (D), brickan (E) samt muttern (F).

Crutch holder

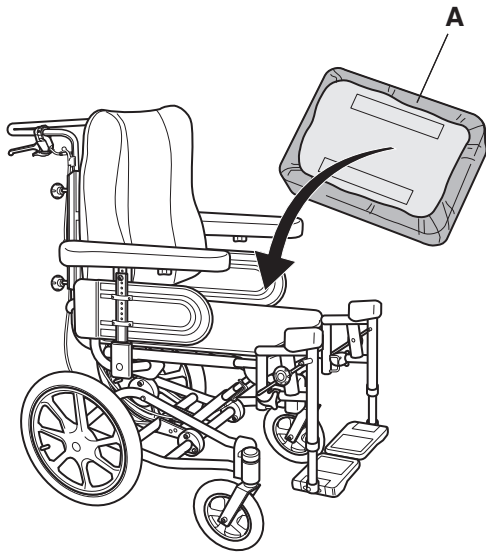


Tools: 10 mm fixed spanner

Slide clip (A) onto the lower frame tube, position the crutch holder (B) above the clip and secure in position with a screw and nut.

Secure the Velcro strap in position around the push bar/handle tube, with a tying tag.

Incontinence cover



Remove the seat pad, pull the incontinence cover (A) over the pad and put the pad back into the chair.

Further accessories

(NOT SHOWN IN DIAGRAMS)

- Narrow cushion for the 36cm wide wheelchair, with minimum distance between armrests.
- Angle-adjustable footrests.
- Fixed footrests.
- Footrest bracket, backward angled
- Fixed, shortened (by 5cm) footrests.
- 90 degree footrests.
- Amputee legrest
- Pump
- Castors: 150 mm semi-solid, 200 mm pneumatic, 200 mm semi-solid, 200 mm wide semi-solid wheels.
- Rear wheels: 16" pneumatic, 16" semi-solid wheels.



This symbol means warning.

Failure to comply can result in personal injury and/or damage to the wheelchair. Those fitting accessories should ensure that:

- They are careful not to trap their fingers when carrying out assembly work.
- They are careful to ensure that all knobs, screws and nuts are properly tightened.

- They are careful to ensure that the drive wheels are properly fixed to the wheelchair.

For further information regarding the wheelchair model shown in this assembly manual refer to the model's main manual.

Manufacturer:



Invacare Rea AB
Växjövägen 303 S-343 71 DIÖ SWEDEN

Sales companies:

Belgium:

Invacare n.v.
Autobaan 14
B-8210 Loppere, Brügge
Tel. +32 - 50 83 10 10
Fax. +32 - 50 83 10 11

Denmark:

Invacare A/S
Sdr. Ringvej 39
DK-2605 Brøndby
Tel. +45 - 36 90 00 00
Fax. +45 - 36 90 00 01

Finland:

Invacare Apuvaline OY
Kumpulantie 1
00520 HELSINKI
Tel. +358 (09) 22 95 40
Fax. +358 (09) 229 544 04

France:

Invacare Poirier S.A
Les Roches
F.37230 Fondettes
Tel. +33 - 02 47 62 64 66
Fax. +33 - 02 47 62 64 10

Germany:

**Austria, Switzerland
and Eastern Europe.**
Invacare GmbH
Dehmer Strasse 66
D-32549 Bad Oeynhausen
Tel. +49 - 57 31 754 0
Fax. +49 - 57 31 754 150

Holland:

Invacare B.V.
Celsiusstraat 46 / P.O. Box 123
NL-6710 BC Ede
Tel. +31 - 318 695757
Fax. +31 - 318 695758

Italy:

Meccan SARL
Via Ddei Pini, 64
IT- 36016 Thiene VI
Tel. +39 - 445 380059
Fax. +39 - 445 380034

Norway:

Invacare AS
Grønsevingen 9
P.O. Box 6230 / Etterstad
N-0603 OSLO 6
Tel. +47 - 22 57 95 00
Fax. +47 - 22 57 95 01

Portugal:

Invacare Lda
Rua Senhora de Campanhã
PT- 4369-001 Porto
Tel. +35 - 12 510 59 46
Fax. +35 - 12 510 57 39

Spain:

Invacare S.A
C/Areny, s/n
Polígono Industrial de Celerá
S- 17460 Celrà (Girona)
Tel. +34 - 972 493200
Fax. +34 - 972 493220

Sweden:

Invacare AB
Fagerstagatan 9 / Box 66
S-163 91 Spånga
Tel. +46 - 8 761 70 90
Fax. +46 - 8 761 81 08

United Kingdom:

Invacare (UK) Ltd.
South Road, Bridgend Industrial
Estate
Bridgend
County Borough of Bridgend CF31
3PY
United Kingdom
Tel.: +44 1656 664 321
Fax.: +44 1656 667 53