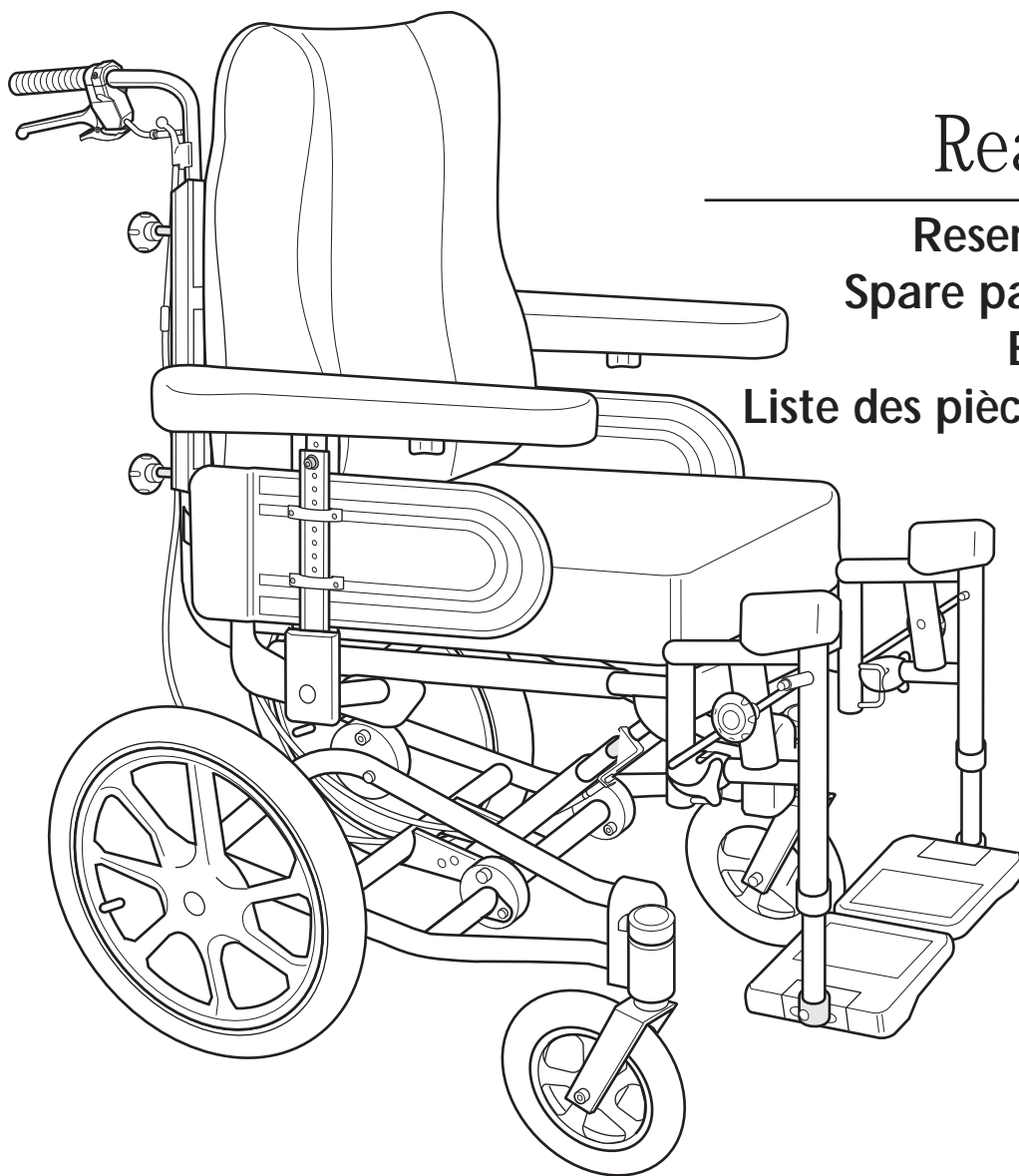




Yes, you can.®



Rea[®] Assist

Reservdelskatalog
Spare part catalogue
Ersatzteilliste
Liste des pièces détachées

Chapter 1 Chassis

- Chassis
- Chassis extender
- Backrest stay
- Castor attachment QR/Fixed
- Manoeuvring kit, manual backrest/tilt
- Backrest+seat tilt kit, electric manoeuvred
- Cable assy. assistant man. backrest/seat tilt

Chapter 2 Backrest and seat

- Backrest "Flex2", fixed
- Backrest, fixed, "C11" (to 2005)
- Backrest, fixed, "PASSAD" (to 2003)
- Backrest, adjustable
- Backrest, adjustable (to 2005)
- Cushions, fixed & adj. backrest
- Cushions, adjustable backrest
- Seat cushions
- Seat cushions (to 2005)
- Backrest extender (to 2005)

Chapter 3 Brakes

- Wire and brake handle
- Brake unit, 16" wheel

Chapter 4 Armrests

- Armrest, height adj.
- Armrest (to 2003)
- Armrest, hemiplegic

Chapter 5 Legrests

- Legrest attachment, Alu2003
- Legrest attachment (to 2005)
- Legrest attachment, steel legrest (to 2005)
- Legrest Alu2003, Fixed, upper part
- Legrest, AA, upper part, Alu2003
- Legrest, aluminium (to 2005)
- Legrest, steel (to 2005)
- Footrest, fixed, Alu2003
- Footrest, AA, Alu2003
- Footrest, fixed, alu, Legrest (to 2005)
- Footrest, AA, alu, Legrest (to 2005)
- Footrest, steel (to 2005)
- Central footrest
- Amputee legrest, Alu2003
- Amputee legrest (to 2005)
- Heel strap
- Calf strap, Alu2003 legrest
- Calf pad, Alu2003 legrest
- Calf pad, Alu2003 legrest (to 2005)
- Calf pad, Alu2003 legrest (to 2004)
- Calf pad, alu, legrest (to 2005)

Chapter 6 Wheels

- Wheel 16"

Chapter 7 Castor wheels

- Castor wheels, fixed
- Castor wheels, QR

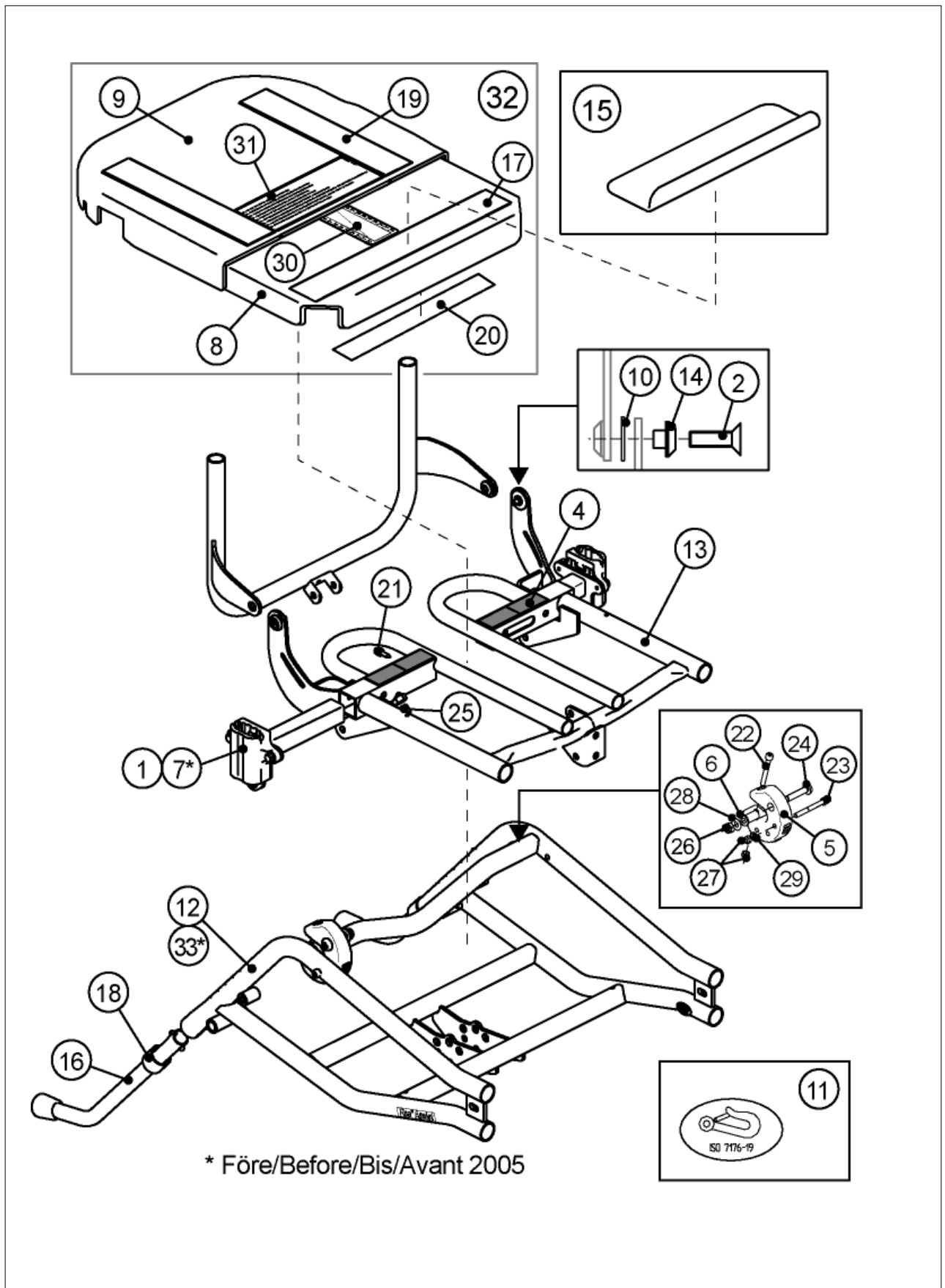
Chapter 8 Accessories

- Trunk support
- Trunk support, adj.
- Trunk support "swingaway"
- Trunk support (to 2005)
- Pommel
- Table tray
- Assembly set for table tray
- Headrest
- Headrest (to 2005)
- Neckrest
- Neckrest (to 2005)
- Neck-/headrest (to 2001)
- Cheek support
- Push bar
- Push handles, braced
- Pelvic belt
- Crutch holder
- Incontinents cover
- Pump
- Reflector



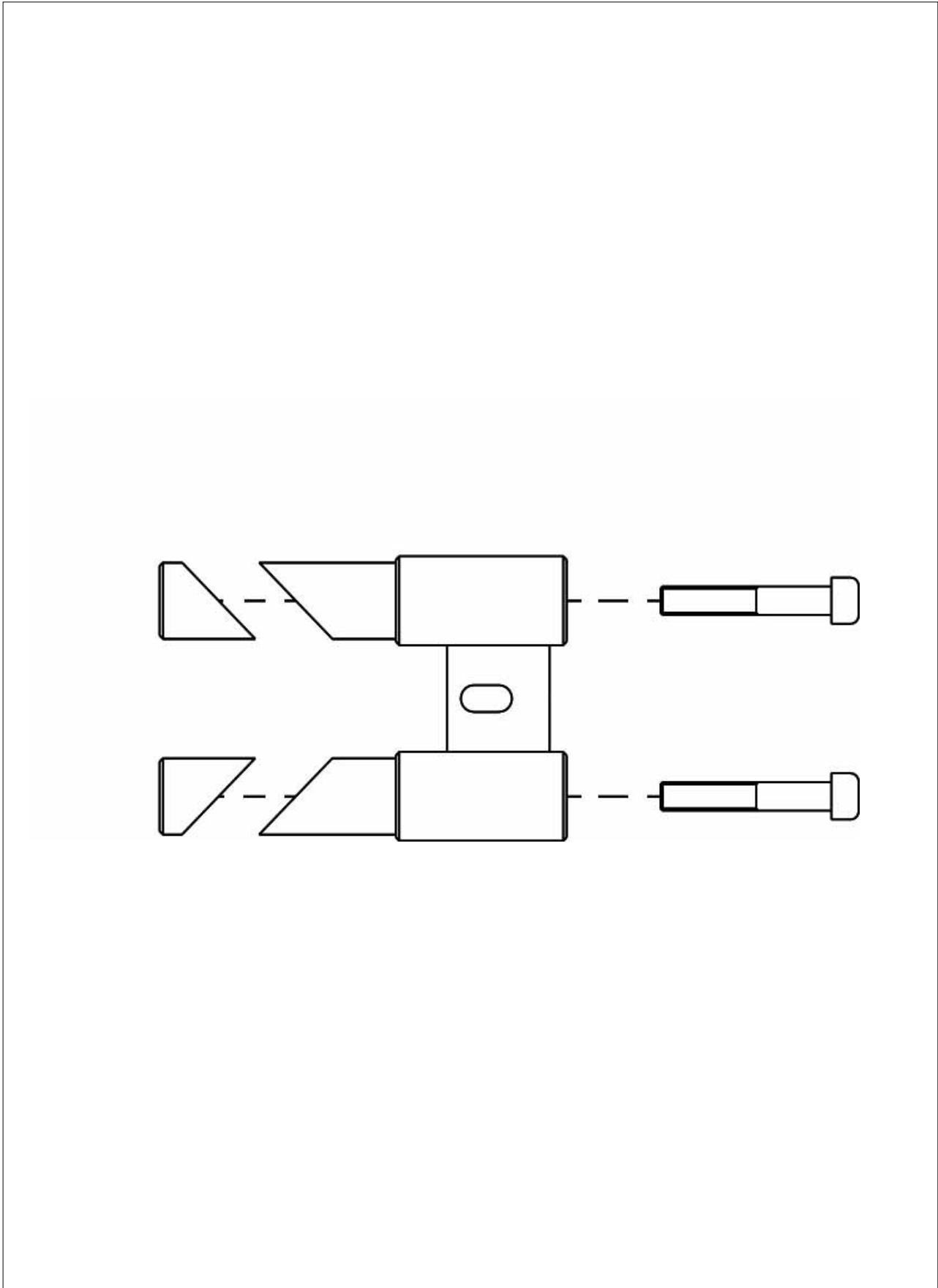
Chapter 1

Chassis	Page 1:1
Chassis extender	Page 1:3
Backrest stay	Page 1:5
Castor attachment QR/Fixed	Page 1:7
Manoeuvring kit, manual backrest/tilt	Page 1:9
Backrest+seat tilt kit, electric manoeuvred	Page 1:11
Cable assy. assistant man. backrest/seat tilt	Page 1:13



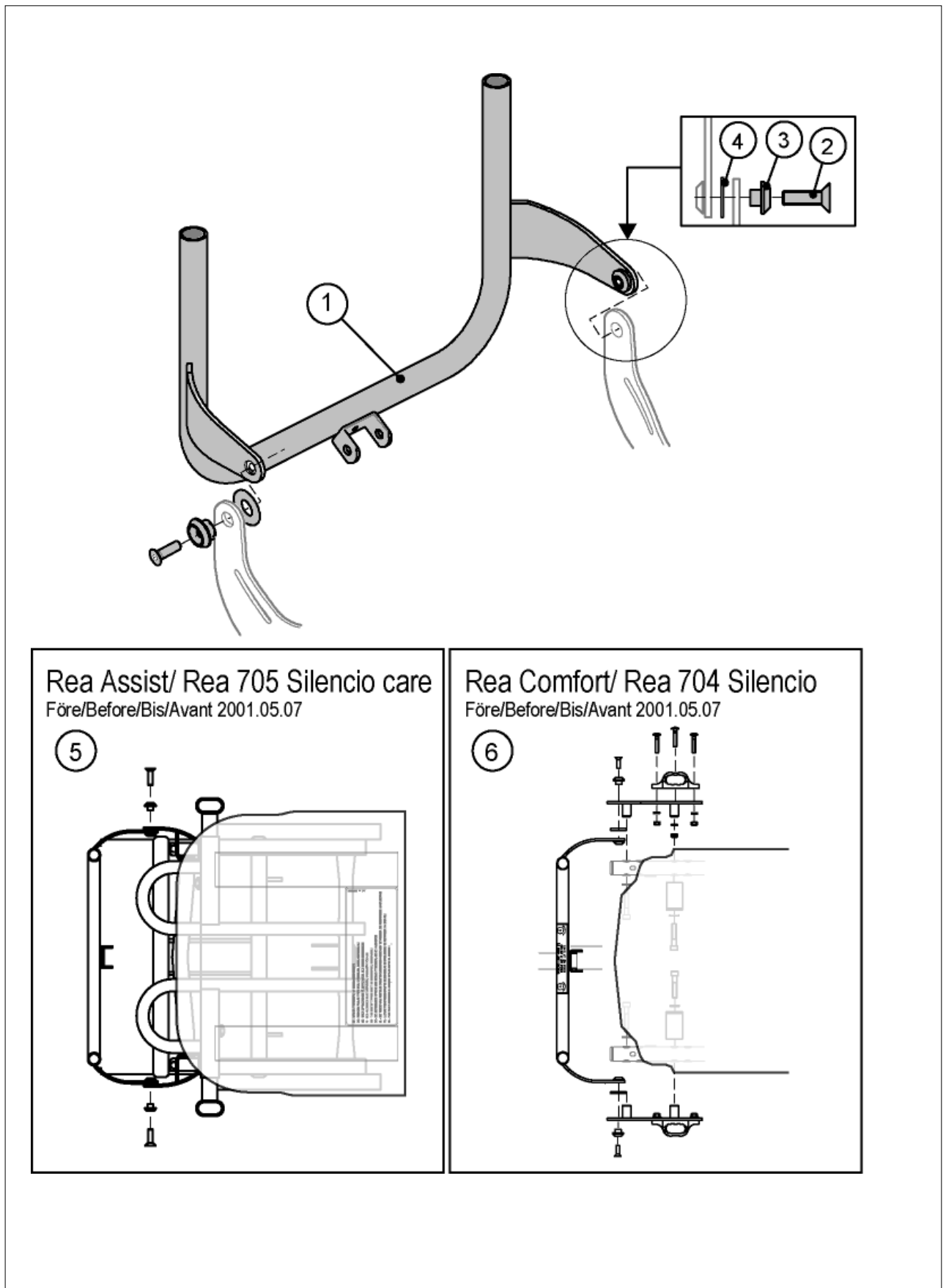


Pos.	Art.No.	Price	Description
1	1446128-0509	-	ATTACHMENT,ARMREST,REA ASSIST CHASSIS
2	5724291	-	SCREW MF6S M6X20 DRI-LOC
3	-	-	NOT AVAILABLE
4	5254306	-	VELCRO LOOP BLACK
5	5254007	-	PLASTIC LINK,ASSIST
6	5254019	-	SLEEVE PLASTIC LINK ASSI
7	1449859-0509	-	ATTACHMENT PAIR,ARMREST,REA ASSIST CHASSIS
8	1439864	-	SEAT PLATE 36-45,FRONT,ASSIST
8	1439866	-	SEAT PLATE 41-50,FRONT,ASSIST
9	1439860	-	SEAT PLATE 36-45,REAR,ASSIST
9	1439862	-	SEAT PLATE 41-50,REAR,ASSIST
10	1415464	-	SPACER B25X1.5X12
11	5275031	-	LABEL,TIE DOWN POINTS
12	5254054-0515	-	CHASSI,LOWER PART,36-45
12	5254055-0515	-	CHASSI,LOWER PART 41-50
13	1415438-0509	-	SEATFRAME 36-45,ASSIST
13	1415439-0509	-	SEATFRAME 41-50,ASSIST
14	1415432-0003	-	SLEEVE BACKREST ATTACHMENT
15	5254131	-	CUSHION HOLDER CPL,ASSIS
16	5254326-C01	-	ANTI-TIP DEVICE CPL,ASSIST
17	5254138	-	VELCRO HOOK L=350,ASSIST
18	5103109	-	ENDSLEEVE FOOTREST
19	5254141	-	VELCRO HOOK L=260,ASSIST
20	5254305	-	VELCRO HOOK STRIP BLACK
21	5724060	-	SCREW RXS H ST4,8X16 ZN.PL
22	5723313	-	SCREW MC6S M6X50 DIN 912
23	5723314	-	SCREW MC6S M6X55 ZN.PL 8.8
24	5724251	-	SCREW K6S M8X40 STAINL
25	5724235	-	SCREW SK6SS M10X12
26	5726025	-	NUT LOC-KING M8 ZN.PL
27	5726051	-	NUT LOC-KING M6
28	5729089	-	WASHER 8,4X17X1,6
29	5729091	-	WASHER 6,4X12,5X1,5
30	5254205	-	DECAL SEAT DEPTH
31	5254206	-	DECAL WARNING,ASSIST
32	1440002	-	SEAT 36-45 CPL,ASSIST
32	1440003	-	SEAT 41-50 CPL,ASSIST
33	5254054-C5013	-	CHASSI,LOWER PART 36-45,BLUE
33	5254055-C5013	-	CHASSI,LOWER PART 41-50,BLUE



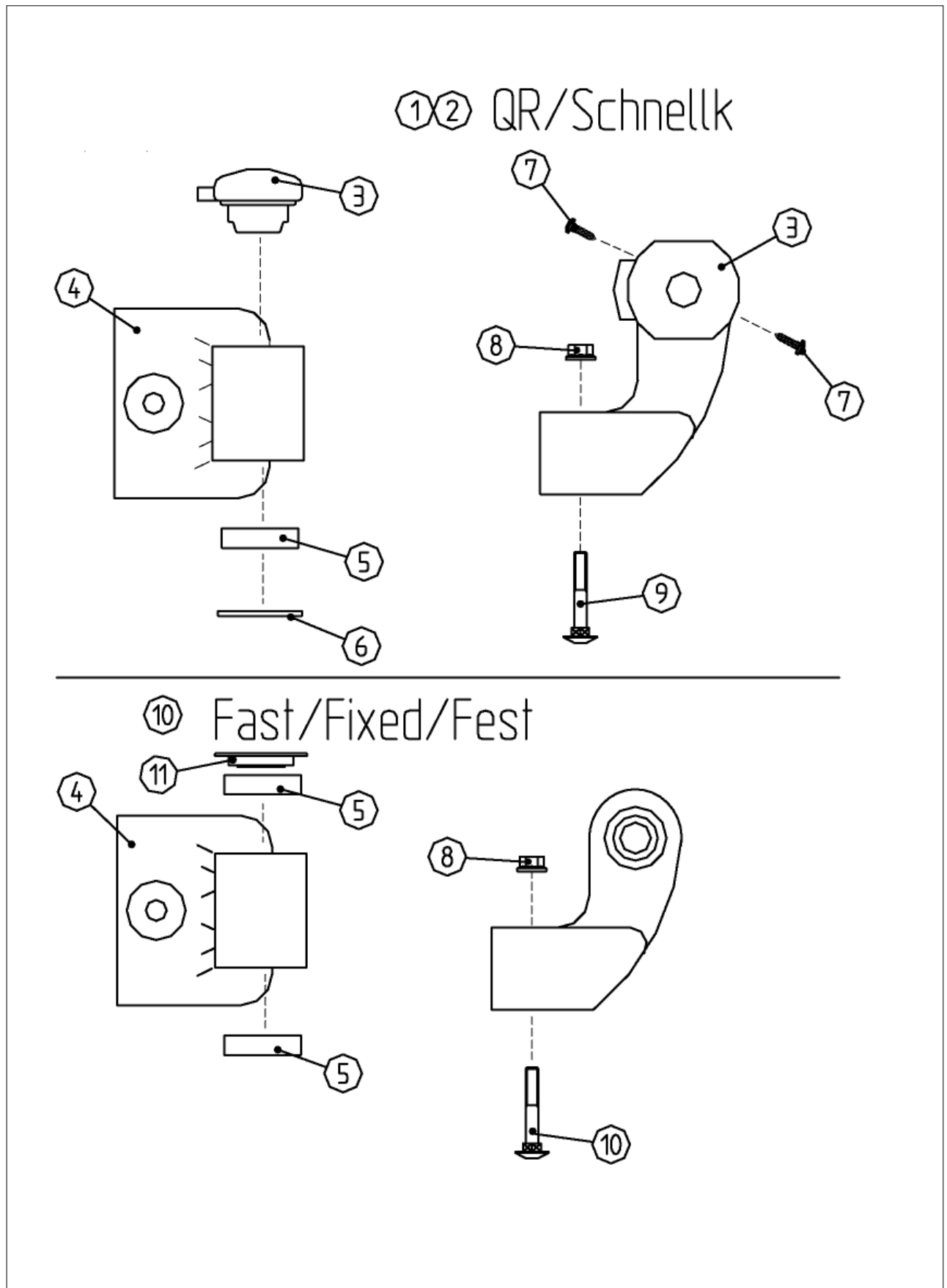


Pos.	Art.No.	Price	Description
	5254117	-	CHASSIS EXTENDER KPL,ASS



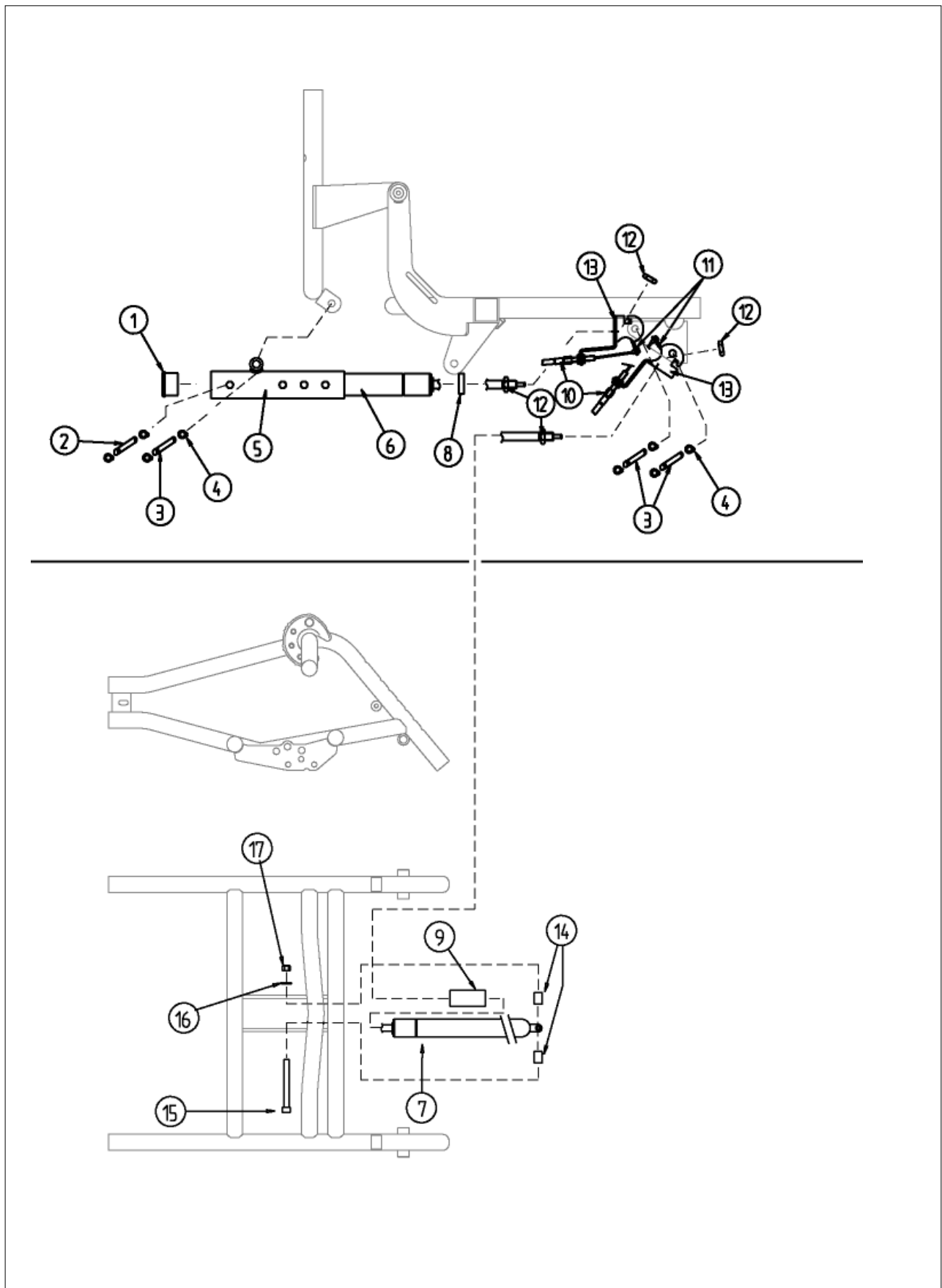


Pos.	Art.No.	Price	Description
1	1415423-0509	-	BACKREST BOW CPL 39
1	1415424-0509	-	BACKREST BOW CPL 44
1	1415425-0509	-	BACKREST BOW CPL 49
2	5724291	-	SCREW MF6S M6X20 DRI-LOC
3	1415432-0003	-	SLEEVE BACKREST ATTACHMENT
4	1415464	-	SPACER B25X1.5X12
5	1415542	-	EXCH.KIT ASSIST 36-45
5	1415543	-	EXCH.KIT ASSIST 41-50
6	1415536	-	EXCH.KIT CPL STD 39
6	1415537	-	EXCH.KIT CPL STD 44
6	1415538	-	EXCH.KIT CPL STD 49



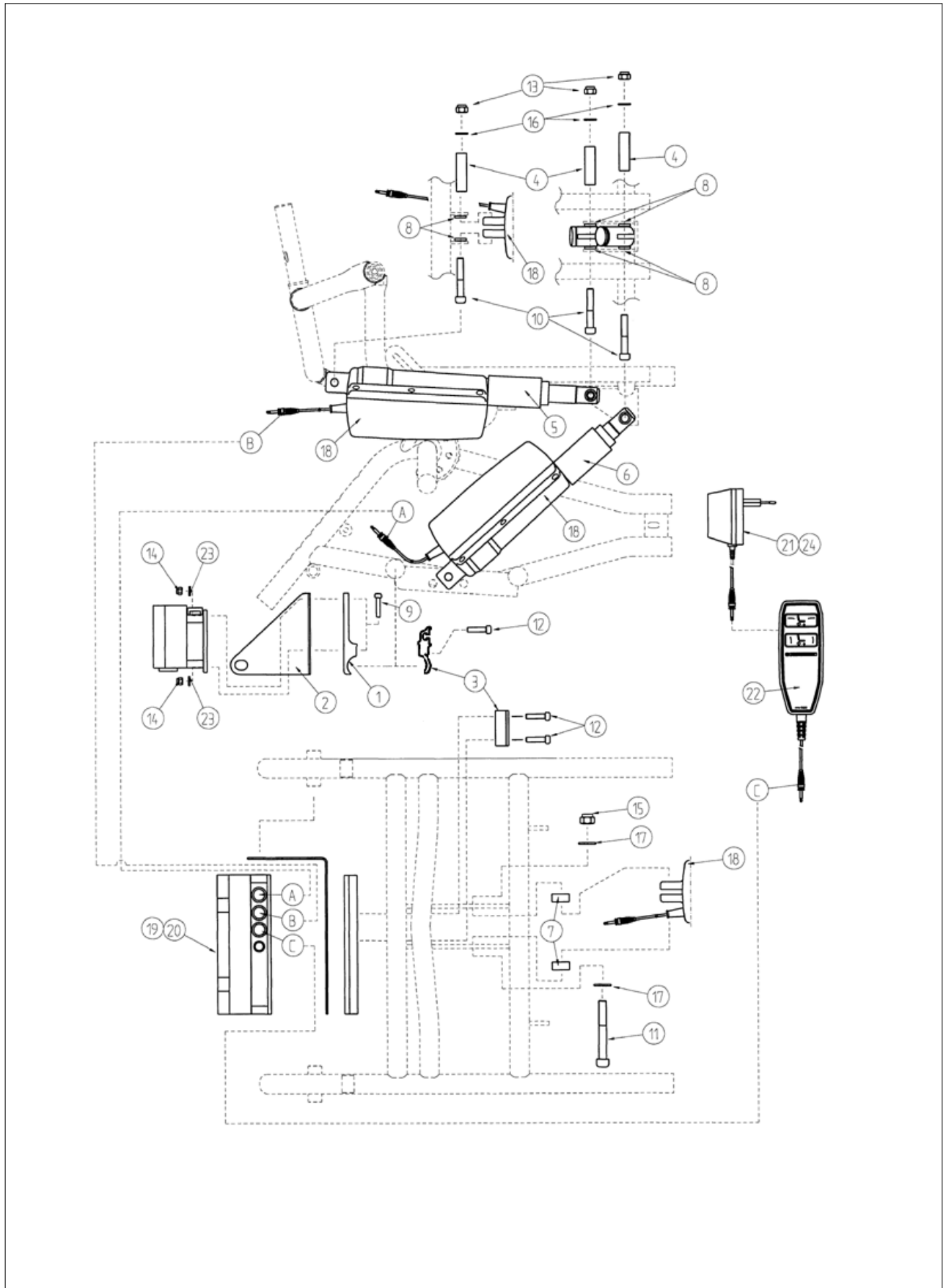


Pos.	Art.No.	Price	Description
1	5254253	-	CAST.ATT+BEAR QR RI
2	5254254	-	CAST.ATT+BEAR QR LE
3	5106562	-	LOCK HOUSING,QR CASTOR
4	5254002	-	CASTOR ATTACHMENT,ASSIST
5	5719103	-	BEARING,CASTOR HOUSING
6	5729198	-	LOCKING WASHER 30X1,2
7	5724049	-	SCREW RXS H ST3,5X13
8	5726151	-	NUT M6MF M6 FZB DIN 6927
9	5724179	-	SCREW MVBF M6X35 ZN.PL
10	5254308	-	CASTOR HOUSING FIXED
11	5254337	-	SPACER,CASTOR ATTACHMENT



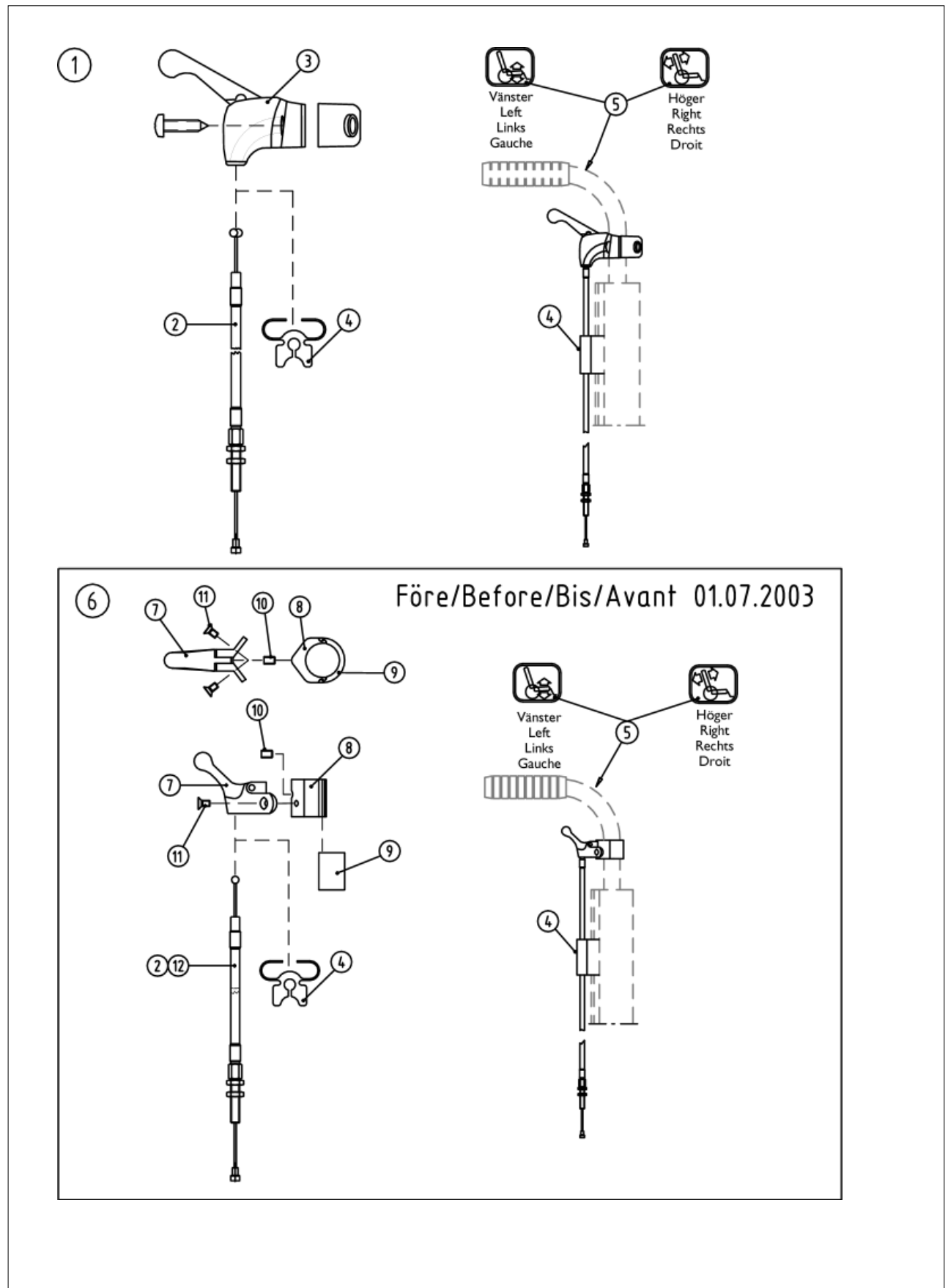


Pos.	Art.No.	Price	Description
	5254104	-	KIT,BACKREST/SEAT MANOEUVERING,MECHANICAL,REA ASSIST
1	5716348	-	PLASTIC CAP IKP 32X1.5 BLACK
2	5252215	-	PIN D8X37
3	5252216	-	PIN Ø8X44
4	5729029	-	LOCK WASHER SGA 8 ZN.PL
5	5252182-0509	-	GAS PISTON ATTACHMENT
6	5721090	-	GAS PISTON 250 N
7	5721088	-	GAS PISTON 200N DYNA1,2MM
8	5729154	-	PLASTIC WASHER B18X4X10,5
9	5256043	-	PLASTIC SLEEVE D=20X10,5X48
10	5252421	-	LEVER KIT,ASS.MAN. BACK REST (TO 99-04-01)
10	5252423	-	LEVER KIT,ASS. MAN. BACK REST/SEAT TILT
11	5252595-C02	-	WIRELEVER,COMFORT
12	5726130	-	NUT ML6M 10X1
13	5252594-C02	-	PISTON END
14	5256044	-	PLASTIC SLEEVE
15	1415573	-	SCREW MC6S M8X65 DECROMAT
16	5729089	-	WASHER 8,4X17X1,6
17	5726025	-	NUT LOC-KING M8 ZN.PL





Pos.	Art.No.	Price	Description
	5254105	-	MANOEUVERING KIT ELECTRI
	5254286	-	MANOEUVERING KIT ELECTRIC. ENGLISH VERSION
1	5254089	-	BATTERY HOLDER,ASSIST
2	5254090	-	PLATE BATTERY ATTACHM,AS
3	5221303	-	BRAKE CLAMP OUTER 25
4	5254092	-	SLEEVE ACTUATOR,ASSIST
5	5254154	-	PLAST.END ACTIVATOR 101
6	5256045	-	PLASTIC PLUG,ACTIVATOR L=95
7	5716500	-	PLA. SLEEVE D22XD10,3X10
8	5716501	-	PLA. SLEEVE D15XD10,3X3
9	5723082	-	SCREW MC6S M5X25 A2
10	5723326	-	SCREW MC6S M8X50 DIN 912
11	5723345	-	SCREW MC6S M10X75 A2
12	5724089	-	SCREW MC6S M6X25 8.8,ADAPT
13	5726025	-	NUT LOC-KING M8 ZN.PL
14	5726044	-	NUT M5 LOC-KING FZB DIN 985
15	5726143	-	LOCKING NUT M10
16	5729089	-	WASHER 8,4X17X1,6
17	5729193	-	WASHER BRB 20X10,5X2 A2
18	5738669	-	ACTUATOR LINAK LA28.1,R+
19	5738670	-	STERING UNIT LINAK CB 08
20	5738671	-	BATTERY KIT FOR CB08,RC+
21	5738672	-	BATTERY CHARGER STD,ASSI
22	5738673	-	HAND CONTROL,C+
23	5729028	-	WASHER BRB 5,3X10X1
24	5738681	-	BATTERY CHARGER ENGLISH



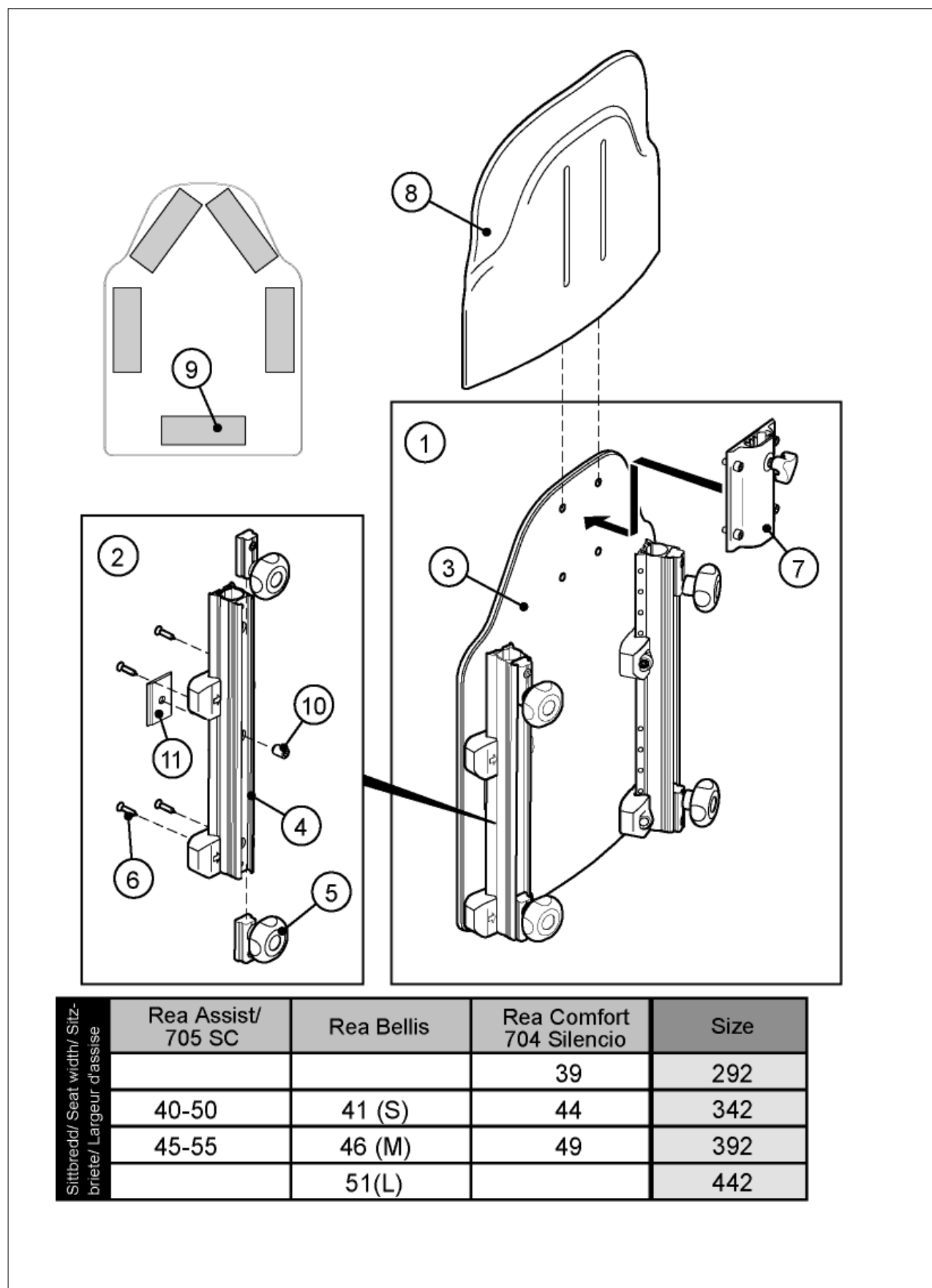


Pos.	Art.No.	Price	Description
1	1431745	-	LEVER KIT,ASS. MAN. BACK REST/SEAT TILT,CPL
2	5735211	-	WIRE CONTROL,SEAT/BACK REST TILT
3	1431734	-	HANDLE,SACCON (2003-)
4	5254034	-	WIRE HOLDER,COMFORT/ASSI
5	5255381	-	DECAL CABLE ASSEMBLY,BEL
6	5252421	-	LEVER KIT,ASS.MAN. BACK REST (TO 99-04-01)
6	5252423	-	LEVER KIT,ASS. MAN. BACK REST/SEAT TILT
7	5735213	-	HANDLE CAT.NO 0217033
8	5252389	-	ATTACHMENT,CONTROL
9	5252390	-	CLAMP,CONTROL
10	5723080	-	SCREW SK6SS M5X6
11	5724091	-	SCREW MFX H M4X8 A2
12	5735212	-	WIRECONTROL,ASS MAN BACK REST (TO 99-04-01)



Chapter 2

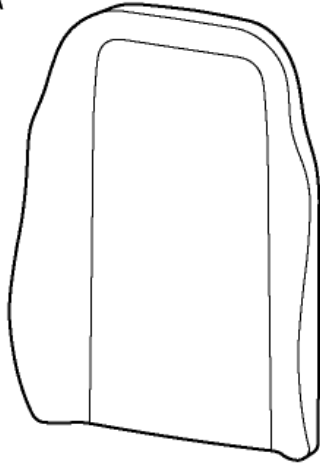
Backrest "Flex2", fixed	Page 2:1
Backrest, fixed, "C11" (to 2005)	Page 2:3
Backrest, fixed, "PASSAD" (to 2003)	Page 2:5
Backrest, adjustable	Page 2:7
Backrest, adjustable (to 2005)	Page 2:9
Cushions, fixed & adj. backrest	Page 2:11
Cushions, adjustable backrest	Page 2:13
Seat cushions	Page 2:15
Seat cushions (to 2005)	Page 2:17
Backrest extender (to 2005)	Page 2:19





Pos.	Art.No.	Price	Description
1	1440151	-	BACKREST "FLEX2" 292 CPL.
1	1440152	-	BACKREST "FLEX2" 342 CPL.
1	1440153	-	BACKREST "FLEX2" 392 CPL.
1	1440154	-	BACKREST "FLEX2" 442 CPL.
2	1446008	-	RAIL,BACKREST "FLEX2" FIXED,RIGHT,CPL.
2	1446009	-	RAIL,BACKREST "FLEX2" FIXED,LEFT,CPL.
3	1440143	-	PLATE,BACKREST "FLEX2" 292 CPL
3	1440144	-	PLATE,BACKREST "FLEX2" 342 CPL
3	1440145	-	PLATE,BACKREST "FLEX2" 392 CPL
3	1440146	-	PLATE,BACKREST "FLEX2" 442 CPL
4	5253694	-	RAIL,BACKREST,RIGHT
4	5253695	-	RAIL,BACKREST,LEFT
5	5253088	-	LOCKING DEVICE CPL
6	5724230	-	SCREW ETP K50X25 WN1443
7	1446010	-	ATTACHMENT,NECK-/HEADREST,CPL.
8	1440147	-	EXTENDER,BACKREST "FLEX2" 292
8	1440148	-	EXTENDER,BACKREST "FLEX2" 342
8	1440149	-	EXTENDER,BACKREST "FLEX2" 392
8	1440150	-	EXTENDER,BACKREST "FLEX2" 442
9	5254139	-	VELCRO HOOK L=150,ASSIST
10	5723904	-	SCREW MF6S M6X8 DIN 7991
11	1446015	-	STOP,BACKREST RAIL

LAGUNA



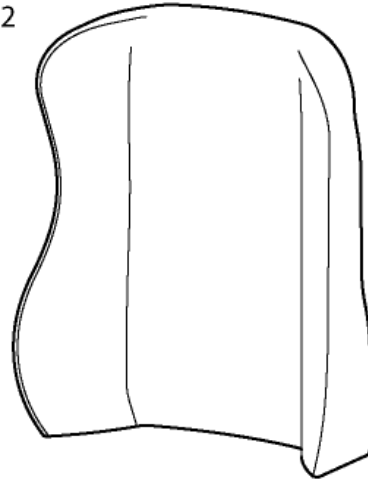
Rea Comfort/
Rea 704Silencio



Rea Assist/
Rea 705 Silencio Care



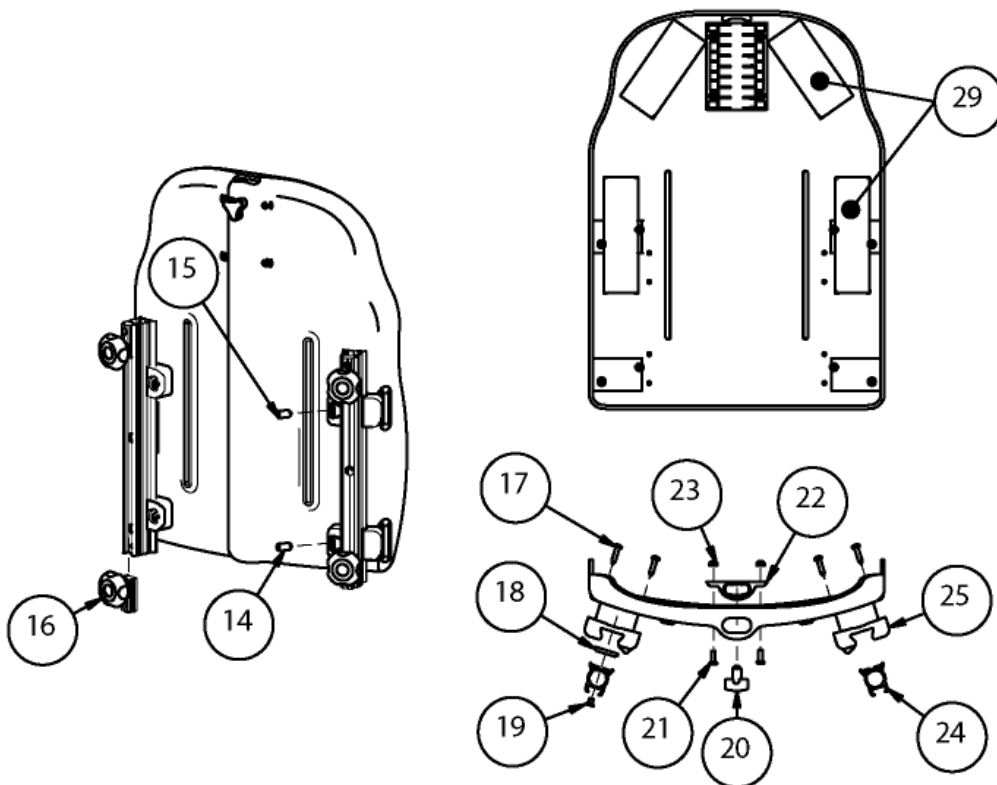
PASSAD 2



Rea Comfort/
Rea 704Silencio

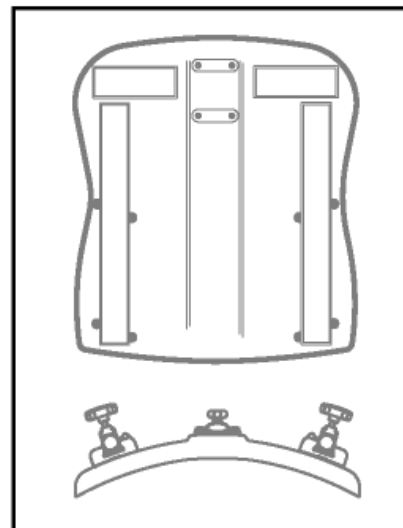
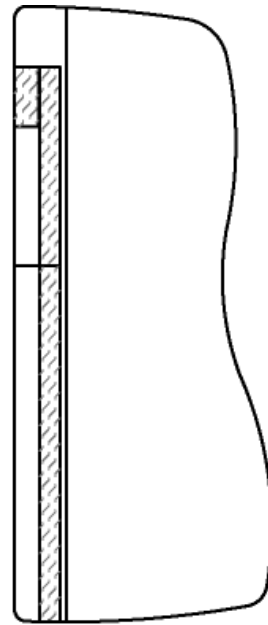
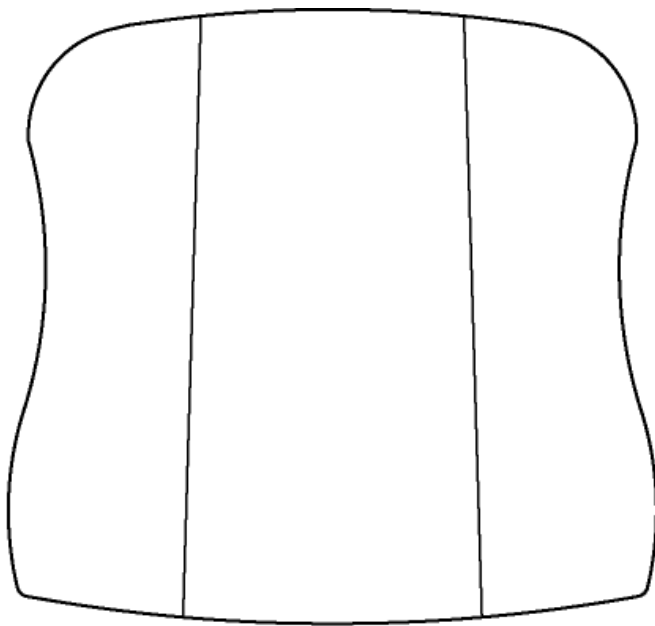


Rea Assist/
Rea 705 Silencio Care





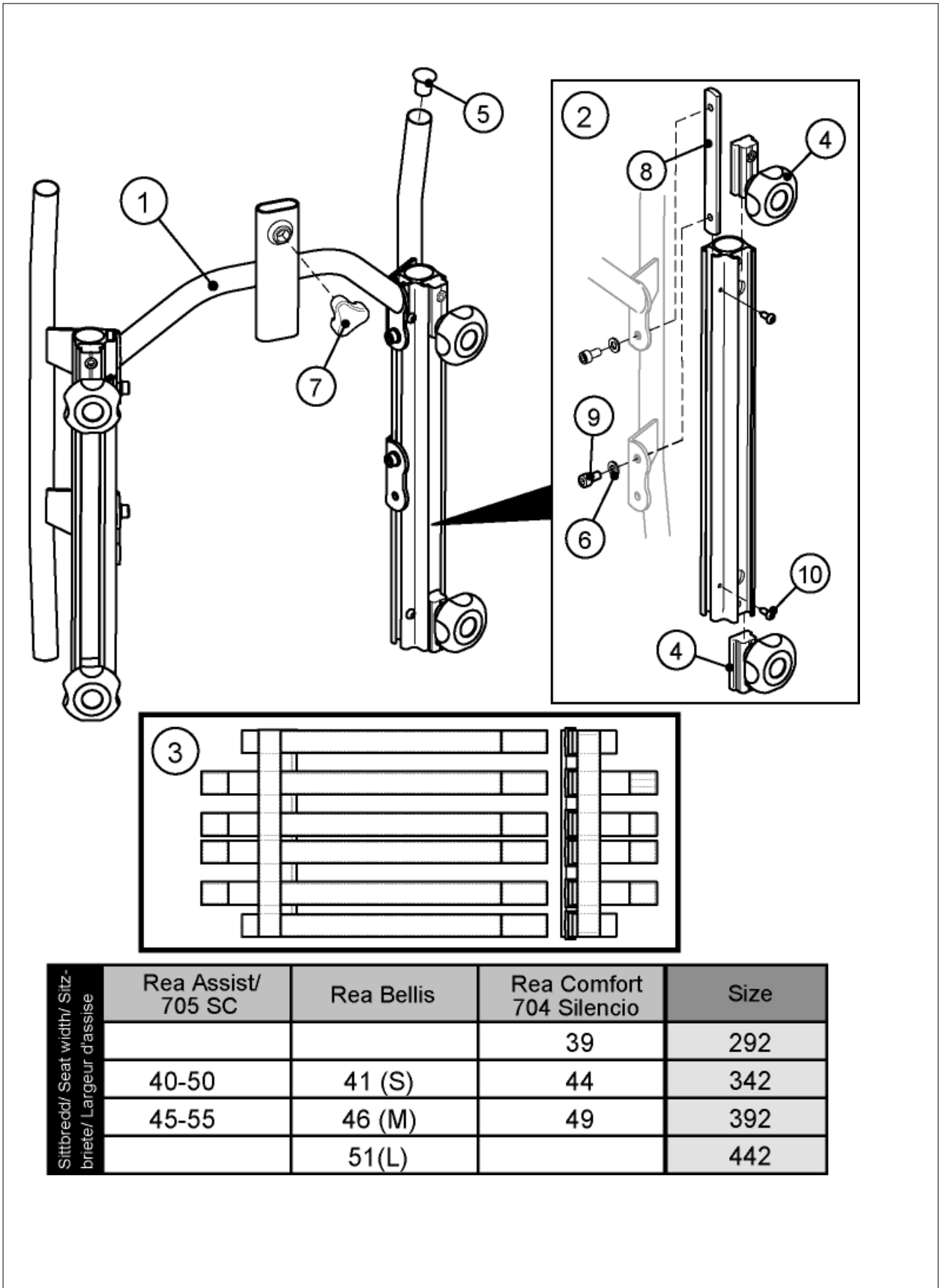
Pos.	Art.No.	Price	Description
1	1427115	-	CUSHION,BACKREST "LAGUNA",XSMALL,PLYSH BLUE
1	1427118	-	CUSHION,BACKREST "LAGUNA" 372X550,DARTEX GREY
1	1427122	-	CUSHION,BACKREST "LAGUNA" 380,PLUSH GREEN
2	1427119	-	CUSHION,BACKREST "LAGUNA" 402X550,DARTEX GREY
2	1427123	-	CUSHION,BACKREST "LAGUNA" 410,PLUSH GREEN
2	1427144	-	CUSHION,BACKREST "LAGUNA",SMALL PLYSH BLUE
3	1427120	-	CUSHION,BACKREST "LAGUNA" 452X550,DARTEX GREY
3	1427124	-	CUSHION,BACKREST "LAGUNA" 460,PLUSH GREEN
3	1427145	-	CUSHION,BACKREST "LAGUNA",MEDIUM PLYSH BLUE
4	1427119	-	CUSHION,BACKREST "LAGUNA" 402X550,DARTEX GREY
4	1427123	-	CUSHION,BACKREST "LAGUNA" 410,PLUSH GREEN
5	1427120	-	CUSHION,BACKREST "LAGUNA" 452X550,DARTEX GREY
5	1427124	-	CUSHION,BACKREST "LAGUNA" 460,PLUSH GREEN
6	1429271	-	CUSHION,BACKREST "PASSAD2" 440X550,DARTEX GREY
6	1429272	-	CUSHION "PASSAD2",BACKREST,XS,PLUSH GREEN
6	1429273	-	CUSHION "PASSAD2",BACKREST,XS,PLUSH BLUE
7	1424647	-	CUSHION,BACKREST "PASSAD2" 470X550,DARTEX GREY
7	1424648	-	CUSHION PASSAD2,BACKREST,SMALL,PLYSCH GREEN
7	1429275	-	CUSHION "PASSAD2",BACKREST,S,PLUSH BLUE
8	1424649	-	CUSHION,BACKREST "PASSAD2" 520X550,DARTEX GREY
8	1424650	-	CUSHION PASSAD2,BACKREST,MEDIUM,PLYSCH GREEN
8	1429277	-	CUSHION "PASSAD2",BACKREST,M,PLUSH BLUE
9	1424647	-	CUSHION,BACKREST "PASSAD2" 470X550,DARTEX GREY
9	1424648	-	CUSHION PASSAD2,BACKREST,SMALL,PLYSCH GREEN
10	1424649	-	CUSHION,BACKREST "PASSAD2" 520X550,DARTEX GREY
10	1424650	-	CUSHION PASSAD2,BACKREST,MEDIUM,PLYSCH GREEN
11	999	-	OUT OF PRODUCTION
12	999	-	OUT OF PRODUCTION
13	999	-	OUT OF PRODUCTION
14	5724128	-	SCREW SUSP
15	5724231	-	SCREW S6SS M10X20
16	5253088	-	LOCKING DEVICE CPL
17	5724255	-	SCREW KB 50X25 WN1412
18	5254149	-	BACKREST RAIL STOPPER
19	5723904	-	SCREW MF6S M6X8 DIN 7991
20	5255144	-	HANDWHEEL
21	5724134	-	SCREW K6S M6X16 A2
22	5255058	-	NECKREST ATT. BELLIS
23	5726051	-	NUT LOC-KING M6
24	5252204	-	RAIL,BACKREST,REA COMFORT
25	5253525	-	STEERING BLOCK BACKREST
26	999	-	OUT OF PRODUCTION
27	999	-	OUT OF PRODUCTION
28	999	-	OUT OF PRODUCTION
29	5254139	-	VELCRO HOOK L=150,ASSIST



	Färg	Colour	Farbe	Couleur
TR14	plysch grön	plush green	Plüsch grün	velours vert
TR23	dartex grå	dartex grey	dartex grau	dartex gris



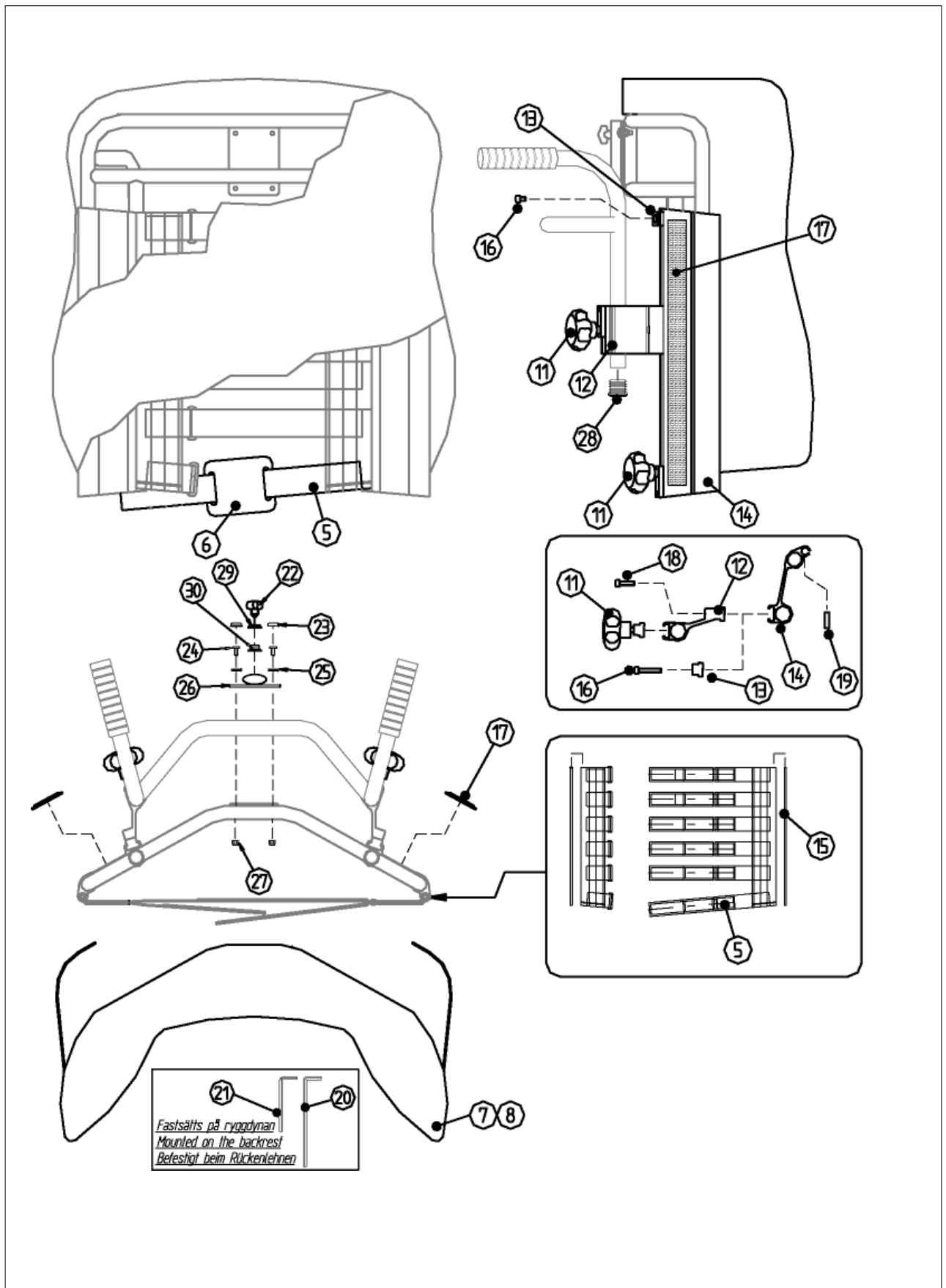
Pos.	Art.No.	Price	Description
	5254145-TR14	-	BACKREST CUSH PASSAD 43
	5254145-TR23	-	BACKREST CUSH PASSAD 43
	5254146-TR14	-	BACKREST CUSH PASSAD 48
	5254146-TR23	-	BACKREST CUSH 41-50 STD
1	5254145-TR14	-	BACKREST CUSH PASSAD 43
1	5254145-TR23	-	BACKREST CUSH PASSAD 43
2	5254146-TR14	-	BACKREST CUSH PASSAD 48
2	5254146-TR23	-	BACKREST CUSH 41-50 STD
3	5254147-TR14	-	UPH BACKR CUSH STD 36-4
3	5254147-TR23	-	UPH BACKR CUSH STD 36-4
4	5254148-TR14	-	UPH BACKR CUSH STD 41-50
4	5254148-TR23	-	UPH BACKR CUSH STD 41-50



Sittbredd/ Seat width/ Sitz- breite/ Largeur d'assise	Rea Assist/ 705 SC	Rea Bellis	Rea Comfort 704 Silencio	Size
			39	292
40-50		41 (S)	44	342
45-55		46 (M)	49	392
		51(L)		442

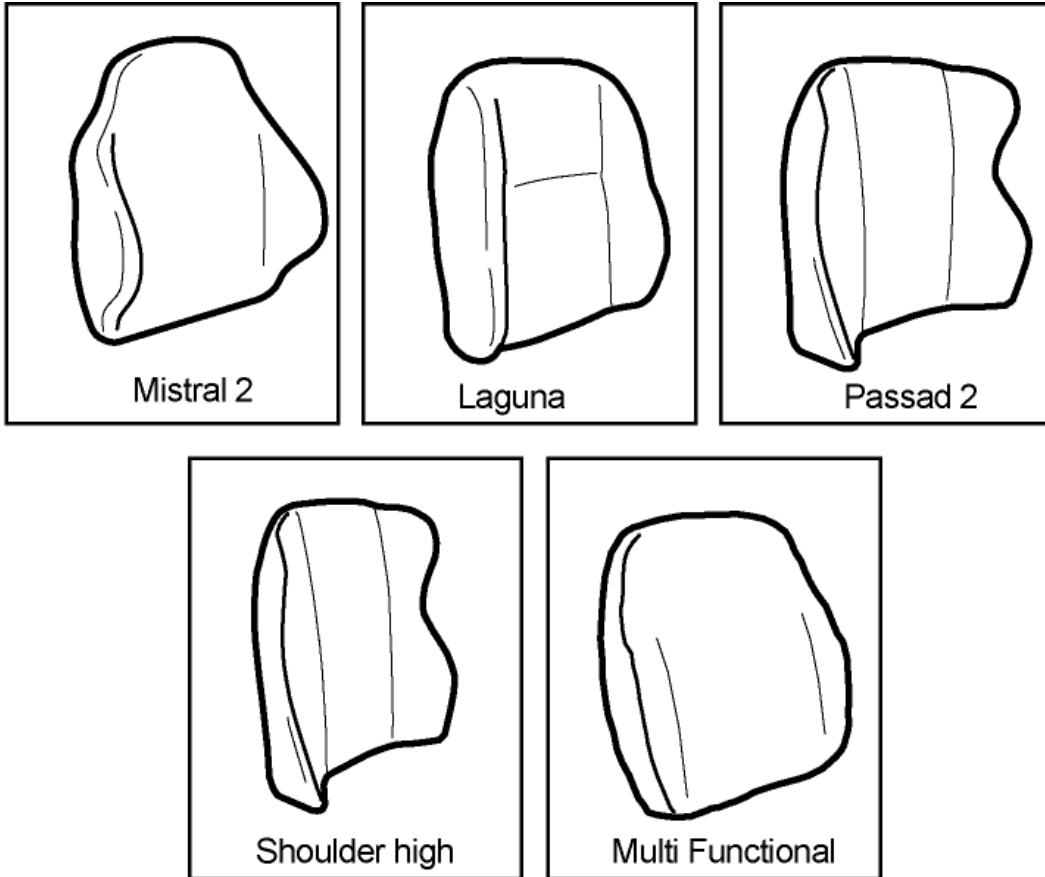


Pos.	Art.No.	Price	Description
	1445697	-	BACKREST,ADJUSTABLE,292,CPL.
	1445698	-	BACKREST,ADJUSTABLE,342,CPL.
	1445699	-	BACKREST,ADJUSTABLE,392,CPL.
	1445700	-	BACKREST,ADJUSTABLE,442,CPL.
1	1445844-0509	-	BACKREST FRAME 292 CPL.
1	1445845-0509	-	BACKREST FRAME 342 CPL.
1	1445846-0509	-	BACKREST FRAME 392 CPL.
1	1445847-0509	-	BACKREST FRAME 442 CPL.
2	1445848	-	RAIL,BACKREST,ADJ. BACKREST (FLEX2),CPL
3	1445694	-	BACKREST BODY ADJ.
4	5253088	-	LOCKING DEVICE CPL
5	5716478	-	PLASTIC SLEEVE SFL 21,BLACK
6	5729091	-	WASHER 6,4X12,5X1,5
7	1444175	-	HANDWHEEL,"FLEX2" BACKREST
8	1445684	-	MOUNTING PLATE,RAIL,ADJ. BACKREST
9	5723035	-	SCREW MC6S M6X12
10	5724076	-	SCREW RXS H ST4,2X13





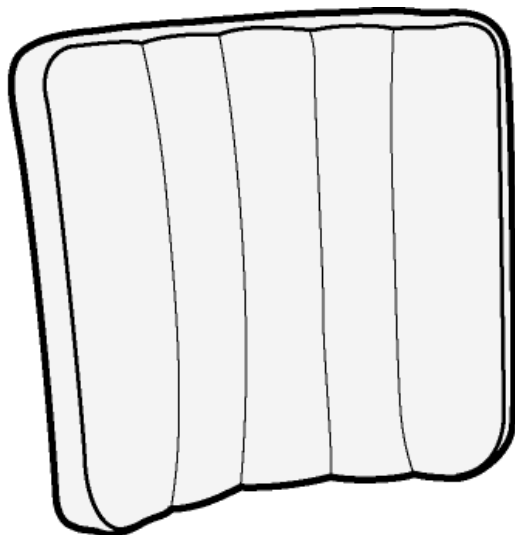
Pos.	Art.No.	Price	Description
1	-	-	NOT AVAILABLE
2	-	-	NOT AVAILABLE
3	-	-	NOT AVAILABLE
4	-	-	NOT AVAILABLE
5	5254225	-	BODY BACKREST UPH,ASSIST
6	5254227	-	SUPPORT PLATE,ASSIST
7	5254233-TR14	-	BACKREST CUSHION 540 (42-50),ADJ,PLUSH GREEN
7	5254233-TR23	-	BACKREST CUSHION 540 (42-50),ADJ,DARTEX GREY
8	5254234-TR14	-	BACKREST CUSHION 590 (47-55),ADJ,PLUSH GREEN
8	5254234-TR23	-	BACKREST CUSHION 590 (47-55),ADJ,DARTEX GREY
9	-	-	NOT AVAILABLE
10	-	-	NOT AVAILABLE
11	5253088	-	LOCKING DEVICE CPL
12	5254212	-	PUSH HANDLE ATTACHM,ASSI
13	5254224	-	LOCKING BLOCK ,ASSIST
14	5254210	-	SIDE RAIL,ASSIST
15	5254228	-	UPHOLSTERY,WIRE ASSIST
16	5724187	-	SCREW K6S M6X40
17	5254138	-	VELCRO HOOK L=350,ASSIST
18	5724257	-	SCREW MC6S M6X50 ZINK
19	5735243	-	SPRING PIN 3X14
20	5738409	-	ALLENKEY 5 L=130
21	5738392	-	ALLENKEY 4 L71 DIN911
22	5221122	-	HAND WHEEL M12 CPL.
23	5716375	-	UNICAP 84 BLACK
24	5724036	-	SCREW MRX H M5X16
25	5716374	-	WASHER,UNICAP
26	5252121-C9005	-	ATTACHMENT,HEADREST
27	5726044	-	NUT M5 LOC-KING FZB DIN 985
28	5716296	-	PLUG Ø22X19.5,PLASTIC BLACK
29	5221999	-	PLASTIC LOCK RING
30	5222000	-	NUT



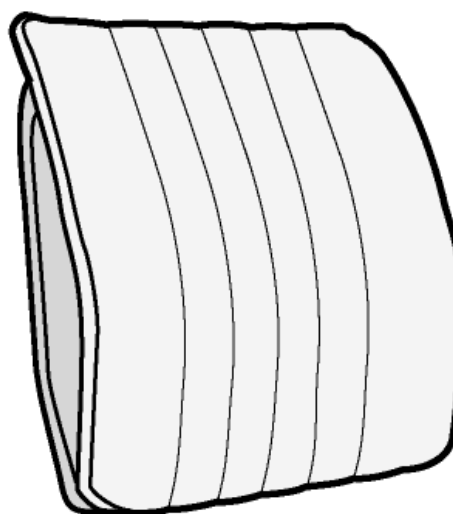
Sittbredd/ Seat width/ Sitz- briete/ Largeur d'assise	Rea Assist/ 705 Silencio	Rea Bellis	Rea Comfort/ 704 Silencio	Mistral2	Laguna	Passad2	Shoulder high	Multi Functional
			39	1	5	9	13	17
	40-50	41 (S)	44	2	6	10	14	18
	45-55	46 (M)	49	3	7	11	15	19
		51 (L)		4	8	12	16	20



Pos.	Art.No.	Price	Description
1	1431668	-	CUSHION,BACKREST "MISTRAL2" 355X510,DARTEX GREY
1	1431669	-	CUSHION,BACKREST "MISTRAL2" 355X510,PLUSH GREY PRIMA
2	1424651	-	CUSHION,BACKREST "MISTRAL2" 405X510,DARTEX GREY
2	1435404	-	CUSHION,BACKREST "MISTRAL2" 405X510,PLUSH GREY PRIMA
3	1424652	-	CUSHION,BACKREST "MISTRAL 2" 455X510,DARTEX GREY
3	1435405	-	CUSHION,BACKREST "MISTRAL 2" 455X510,PLUSH GREY PRIMA
4	1424653	-	CUSHION,BACKREST "MISTRAL 2" 505X510,DARTEX GREY
4	1435406	-	CUSHION,BACKREST "MISTRAL 2" 505X510,PLUSH GREY PRIMA
5	1427118	-	CUSHION,BACKREST "LAGUNA" 372X550,DARTEX GREY
5	1444339	-	CUSHION,BACKREST "LAGUNA" 372X550,PLUSH GREY PRIMA
6	1427119	-	CUSHION,BACKREST "LAGUNA" 402X550,DARTEX GREY
6	1435798	-	CUSHION,BACKREST "LAGUNA" 402X550,PLUSH GREY PRIMA
7	1427120	-	CUSHION,BACKREST "LAGUNA" 452X550,DARTEX GREY
7	1444340	-	CUSHION,BACKREST "LAGUNA" 452X550,PLUSH GREY PRIMA
8	1427121	-	CUSHION,BACKREST "LAGUNA" 492X550,DARTEX GREY
8	1444341	-	CUSHION,BACKREST "LAGUNA" 492X550,PLUSH GREY PRIMA
9	1429271	-	CUSHION,BACKREST "PASSAD2" 440X550,DARTEX GREY
9	1444328	-	CUSHION,BACKREST "PASSAD2" 440X550,PLUSH GREY PRIMA
10	1424647	-	CUSHION,BACKREST "PASSAD2" 470X550,DARTEX GREY
10	1444329	-	CUSHION,BACKREST "PASSAD2" 470X550,PLUSH GREY PRIMA
11	1424649	-	CUSHION,BACKREST "PASSAD2" 520X550,DARTEX GREY
11	1444330	-	CUSHION,BACKREST "PASSAD2" 520X550,PLUSH GREY PRIMA
12	1429278	-	CUSHION,BACKREST "PASSAD2" 580X550,DARTEX GREY
12	1444331	-	CUSHION,BACKREST "PASSAD2" 580X550,PLUSH GREY PRIMA
13	1444275	-	CUSHION,BACKREST "SHOULDER HIGH" 440X650,DARTEX GREY
14	1444276	-	CUSHION,BACKREST "SHOULDER HIGH"470X650,DARTEX GREY
15	1444277	-	CUSHION,BACKREST "SHOULDER HIGH" 520X650,DARTEX GREY
16	1444278	-	CUSHION,BACKREST "SHOULDER HIGH" 580X650,DARTEX GREY
17	1435592	-	CUSHION,BACKREST "MULTI FUNC" 370X540,DARTEX GREY
18	1435593	-	CUSHION,BACKREST "MULTI FUNC" 400X540,DARTEX GREY
19	1435594	-	CUSHION,BACKREST "MULTI FUNC" 450X540,DARTEX GREY
20	1435595	-	CUSHION,BACKREST "MULTI FUNC" 500X540,DARTEX GREY



Lateral 05

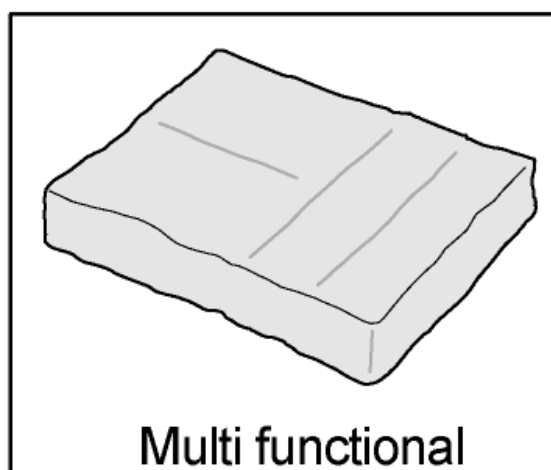
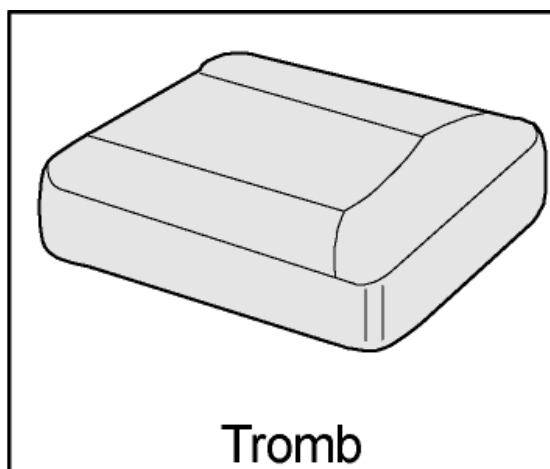
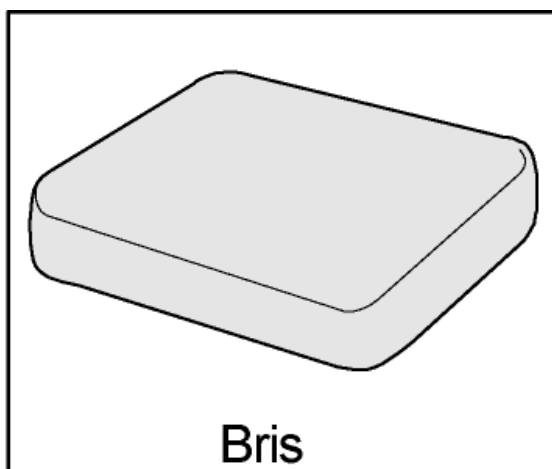


Thin 04

Sittbredd/ Seat width/ Sitz- briete/ Largeur d'assise	Rea Assist/ 705 Silencio	Rea Bellis	Rea Comfort/ 704 Silencio	Lateral	Thin04
			39	①	⑤
	40-50	41 (S)	44	②	⑥
	45-55	46 (M)	49	③	⑦
		51(L)		④	⑧



Pos.	Art.No.	Price	Description
1	1444344	-	COVER "LATERAL" 420X500,BACKREST ADJ.,PLUSH GREY PRIMA
2	1444345	-	COVER "LATERAL" 470X500,BACKREST ADJ.,PLUSH GREY PRIMA
3	1444346	-	COVER "LATERAL" 520X500,BACKREST ADJ.,PLUSH GREY PRIMA
4	1444347	-	COVER "LATERAL" 570X500,BACKREST ADJ.,PLUSH GREY PRIMA
5	1446512	-	COVER "THIN04" 445,BACKREST ADJ.,PLUSH GREY PRIMA
6	1446513	-	COVER "THIN04" 465,BACKREST ADJ.,PLUSH GREY PRIMA
7	1446522	-	COVER "THIN04" 535,BACKREST ADJ.,PLUSH GREY PRIMA
8	1446512	-	COVER "THIN04" 445,BACKREST ADJ.,PLUSH GREY PRIMA



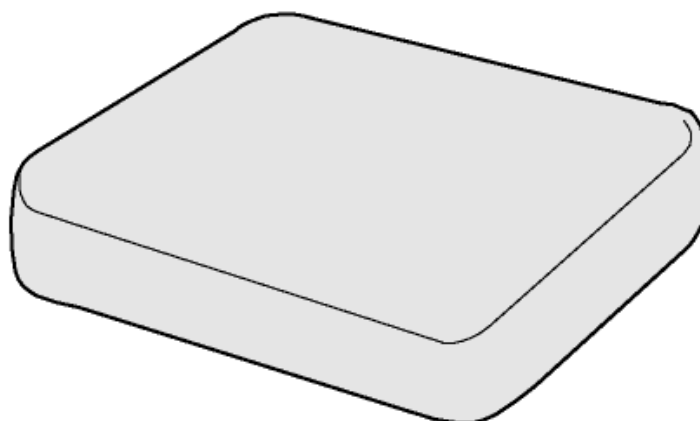
Sittbredd/ Seat width/Sitz- breite/ Largeur d'assise	Assist		Bellis	Comfort	BRIS	TROMB	MULTI FUNCTIONAL
	40-50	45-55		39	(1)	(5)	(9)
	40-46		41(S)	44	(2)	(6)	(10)
	47-50	47-51	46(M)	49	(3)	(7)	(11)
		52-55	51(L)		(4)	(8)	(12)

	Färg	Colour	Farbe	Couleur
TR23	dartex grå	dartex grey	dartex grau	dartex gris
TR32	plysch grå PRIMA	plush grey PRIMA	Plüsch grau PRIMA	velours gris PRIMA



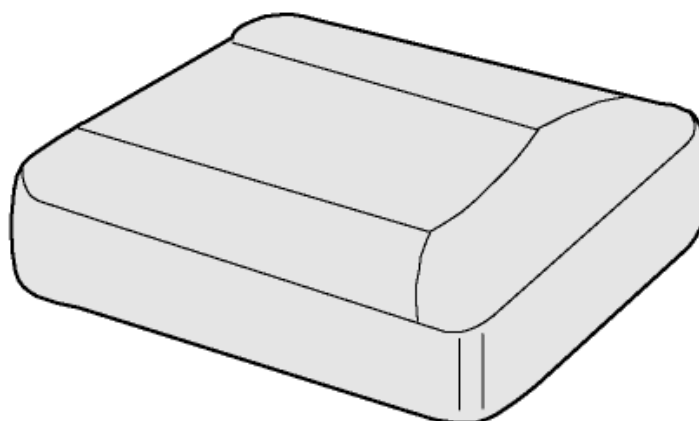
Pos.	Art.No.	Price	Description
1	5252518-TR23	-	CUSHION,SEAT "BRIS" 365X540, DARTEX GREY
1	5252518-TR32	-	CUSHION,SEAT "BRIS" 365X540, PLUSH GREY PRIMA
2	5252519-TR23	-	CUSHION,SEAT "BRIS" 415X540, DARTEX GREY
2	5252519-TR32	-	CUSHION,SEAT "BRIS" 415X540, PLUSH GREY PRIMA
3	5252520-TR23	-	CUSHION,SEAT "BRIS" 465X540, DARTEX GREY
3	5252520-TR32	-	CUSHION,SEAT "BRIS" 465X540, PLUSH GREY PRIMA
4	5252546-TR23	-	CUSHION,SEAT "BRIS" 510X540, DARTEX GREY
4	5252546-TR32	-	CUSHION,SEAT "BRIS" 510X540, PLUSH GREY PRIMA
5	5252582-TR23	-	CUSHION,SEAT "TROMB" 360X530, DARTEX GREY
5	5252582-TR32	-	CUSHION,SEAT "TROMB" 360X530, PLUSH GREY PRIMA
6	5252583-TR23	-	CUSHION,SEAT "TROMB" 410X530, DARTEX GREY
6	5252583-TR32	-	CUSHION,SEAT "TROMB" 410X530, PLUSH GREY PRIMA
7	5252584-TR23	-	CUSHION,SEAT "TROMB" 460X530, DARTEX GREY
7	5252584-TR32	-	CUSHION,SEAT "TROMB" 460X530, PLUSH GREY PRIMA
8	5252601-TR23	-	CUSHION,SEAT "TROMB" 510X530, DARTEX GREY
8	5252601-TR32	-	CUSHION,SEAT "TROMB" 510X530, PLUSH GREY PRIMA
9	1435596	-	CUSHION,SEAT "MULTI FUNC" 370X520,PLUSH GREY PRIMA
10	1435597	-	CUSHION,SEAT "MULTI FUNC" 400X520,PLUSH GREY PRIMA
11	1435598	-	CUSHION,SEAT "MULTI FUNC" 450X520,PLUSH GREY PRIMA
12	1435599	-	CUSHION,SEAT "MULTI FUNC" 500X520,PLUSH GREY PRIMA

① ② ③ ④



Bris

⑤ ⑥ ⑦ ⑧

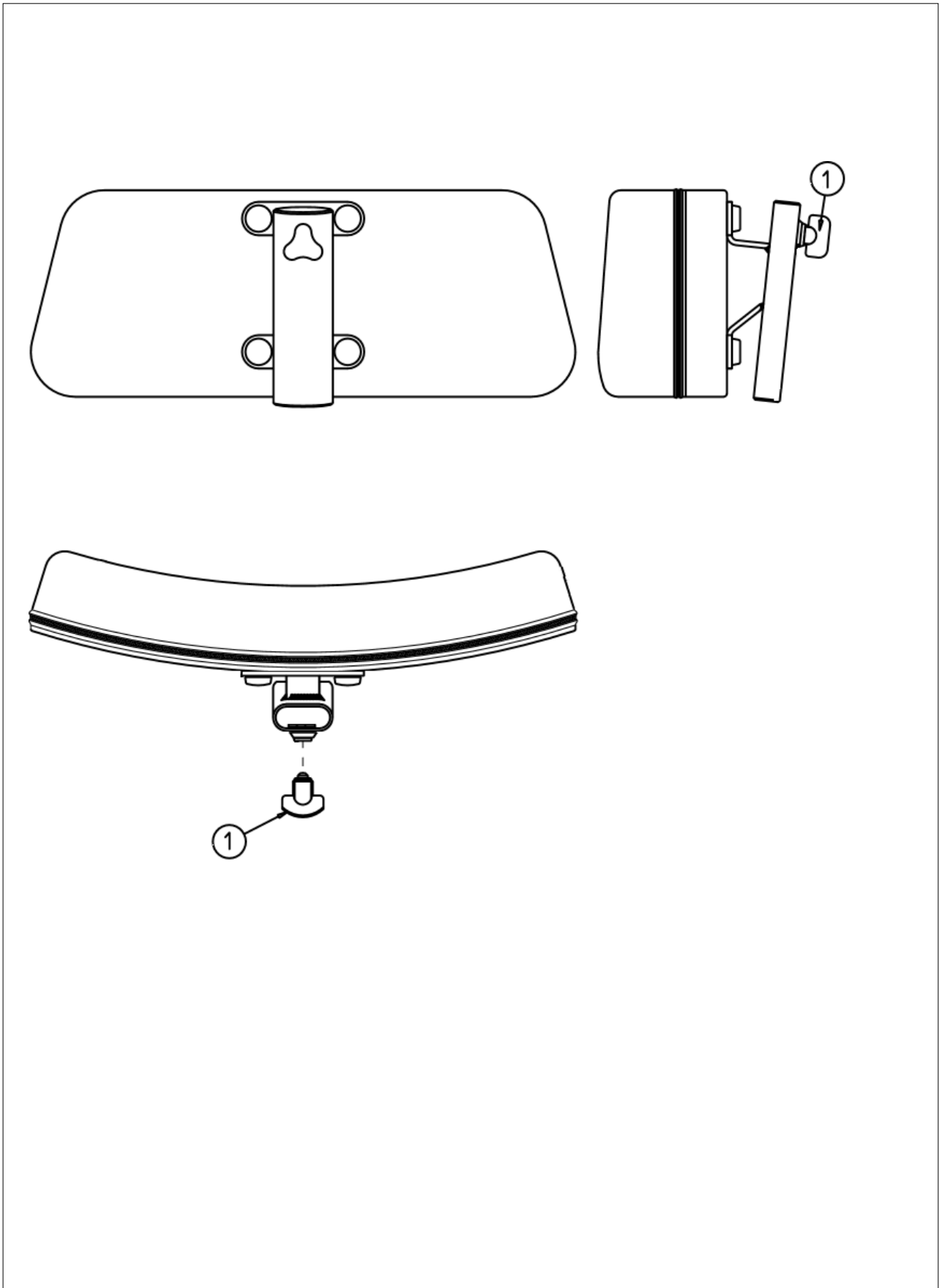


Tromb

	Färg	Colour	Farbe	Couleur
TR13	plysch blå	plush blue	Plüsch blau	velours bleu
TR14	plysch grön	plush green	Plüsch grün	velours vert
TR23	dartex grå	dartex grey	Dartex grau	dartex gris



Pos.	Art.No.	Price	Description
1	5252518-TR13	-	CUSHION,SEAT "BRIS" 365X540, PLUSH BLUE
1	5252518-TR14	-	CUSHION,SEAT "BRIS" 365X540, PLUSH GREEN
1	5252518-TR23	-	CUSHION,SEAT "BRIS" 365X540, DARTEX GREY
2	5252519-TR13	-	CUSHION,SEAT "BRIS" 415X540, PLUSH BLUE
2	5252519-TR14	-	CUSHION,SEAT "BRIS" 415X540, PLUSH GREEN
2	5252519-TR23	-	CUSHION,SEAT "BRIS" 415X540, DARTEX GREY
3	5252520-TR13	-	CUSHION,SEAT "BRIS" 465X540, PLUSH BLUE
3	5252520-TR14	-	CUSHION,SEAT "BRIS" 465X540, PLUSH GREEN
3	5252520-TR23	-	CUSHION,SEAT "BRIS" 465X540, DARTEX GREY
4	5252546-TR14	-	CUSHION,SEAT "BRIS" 510X540, PLUSH GREEN
4	5252546-TR23	-	CUSHION,SEAT "BRIS" 510X540, DARTEX GREY
5	5252582-TR13	-	CUSHION,SEAT "TROMB" 360X530, PLUSH BLUE
5	5252582-TR14	-	CUSHION,SEAT "TROMB" 360X530, PLUSH GREEN
5	5252582-TR23	-	CUSHION,SEAT "TROMB" 360X530, DARTEX GREY
6	5252583-TR13	-	CUSHION,SEAT "TROMB" 410X530, PLUSH BLUE
6	5252583-TR14	-	CUSHION,SEAT "TROMB" 410X530, PLUSH GREEN
6	5252583-TR23	-	CUSHION,SEAT "TROMB" 410X530, DARTEX GREY
7	5252584-TR13	-	CUSHION,SEAT "TROMB" 460X530, PLUSH BLUE
7	5252584-TR14	-	CUSHION,SEAT "TROMB" 460X530, PLUSH GREEN
7	5252584-TR23	-	CUSHION,SEAT "TROMB" 460X530, DARTEX GREY
8	5252601-TR14	-	CUSHION,SEAT "TROMB" 510X530, PLUSH GREEN
8	5252601-TR23	-	CUSHION,SEAT "TROMB" 510X530, DARTEX GREY





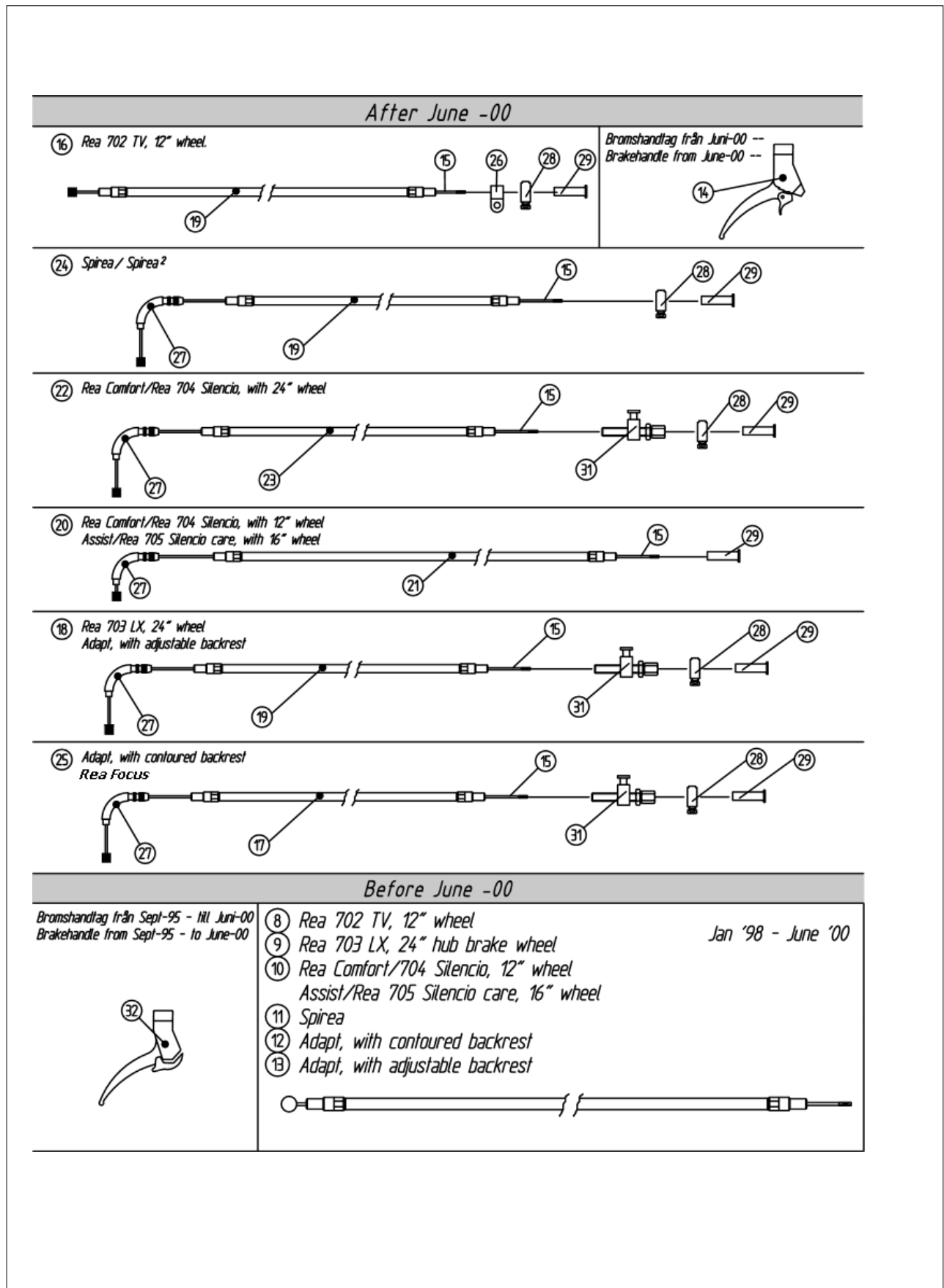
Pos.	Art.No.	Price	Description
	5253035-TR13	-	BACKREST EXTENSION 39 CPL.,PLUSH BLUE
	5253035-TR14	-	BACKREST EXTENSION 39 CPL.,PLUSH GREEN
	5253035-TR23	-	BACKREST EXTENSION 39 CPL.,DARTEX GREY
	5253036-TR13	-	BACKREST EXTENSION 44 CPL.,PLUSH BLUE
	5253036-TR14	-	BACKREST EXTENSION 44 CPL.,PLUSH GREEN
	5253036-TR23	-	BACKREST EXTENSION 44 CPL.,DARTEX GREY
	5253037-TR13	-	BACKREST EXTENSION 49 CPL.,PLUSH BLUE
	5253037-TR14	-	BACKREST EXTENSION 49 CPL.,PLUSH GREEN
	5253037-TR23	-	BACKREST EXTENSION 49 CPL.,DARTEX GREY
1	5221122	-	HAND WHEEL M12 CPL.



Chapter 3

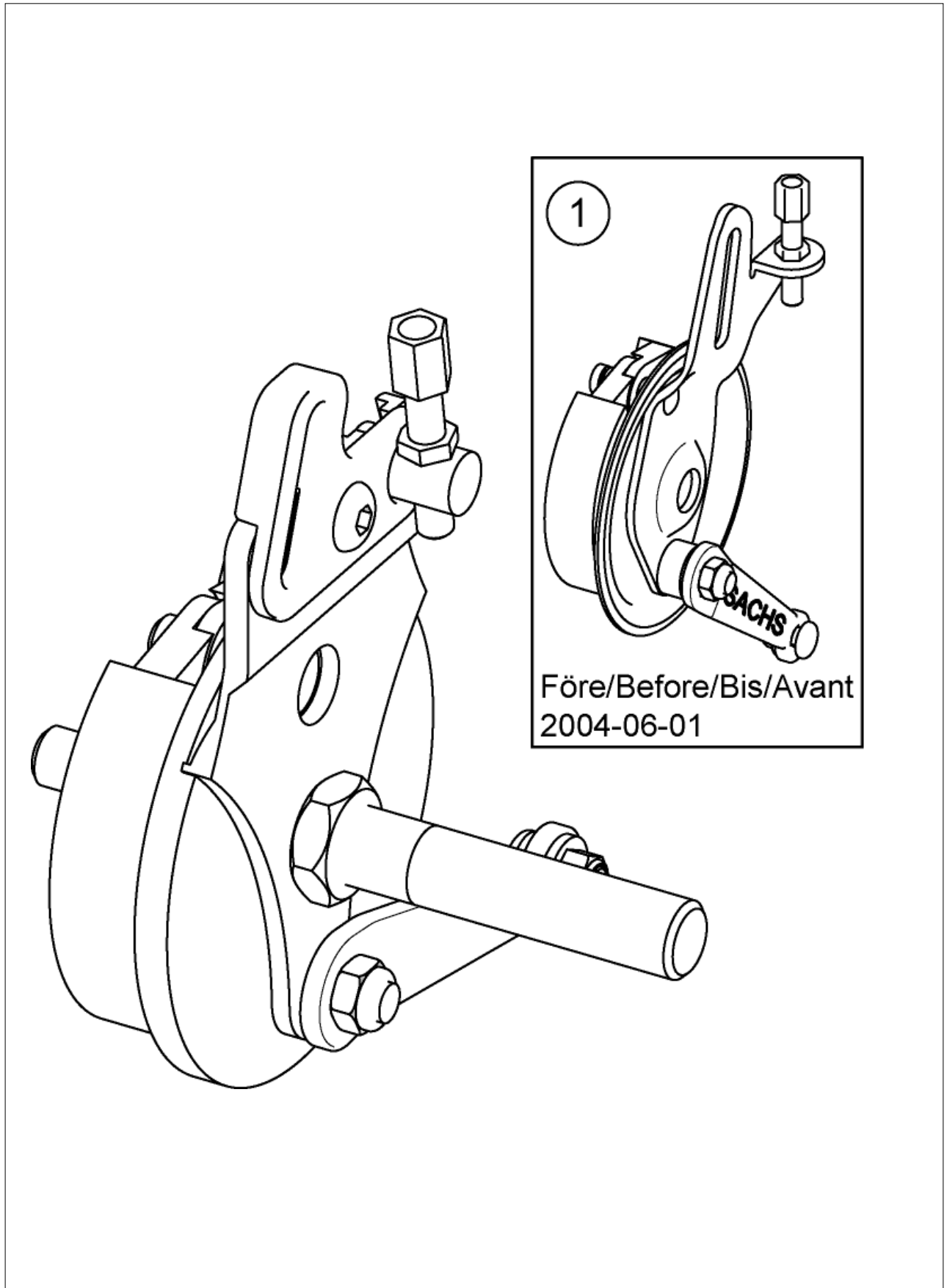
Wire and brake handle
Brake unit, 16" wheel

Page 3:1
Page 3:3





Pos.	Art.No.	Price	Description
1	-	-	NOT AVAILABLE
2	-	-	NOT AVAILABLE
3	-	-	NOT AVAILABLE
4	5735256	-	BRAKE HANDLE SACCON
4	5735266	-	WIRE CONTROL L=870 CPL
5	-	-	NOT AVAILABLE
6	-	-	NOT AVAILABLE
7	-	-	NOT AVAILABLE
8	5735248	-	WIRECONTROL L=780 CPL-98
9	999	-	OUT OF PRODUCTION
10	5735247	-	WIRE CONTROL L=1120 KP98
11	5735251	-	WIRE CONTROL L=700 KPL98
12	5735249	-	WIRE CONTROL L=780 KPL98
13	5735250	-	WIRE CONTROL L=700 KPL98
14	5735256	-	BRAKE HANDLE SACCON
15	5735257	-	WIRE L=1340,AFTER 00-06
16	5735260	-	WIRE CONTROL L=780 CPL
17	5735228	-	WIRE CASE L=780
18	5735265	-	WIRE CONTROL L=700 CPL
19	5735227	-	WIRE CASE L=700
20	5735259	-	WIRE CONTROL L=1120 CPL
21	5735238	-	WIRE CASE L=1120
22	5735266	-	WIRE CONTROL L=870 CPL
23	5735241	-	WIRE CASE L=870
24	5735265	-	WIRE CONTROL L=700 CPL
25	5735261	-	WIRE CONTROL L=780 CPL
26	5716349	-	PLASTIC CLAMP ACCS25-S8-
27	5735229	-	WIRE ADJUSTMENT,UPPER
28	5735232	-	STOP SCREW
29	5735233	-	PROTECTION TUBE
30	5735235	-	ADJUSTING SCREW,AB
31	5735230	-	WIRE ADJUSTMENT,LOWER
32	5735216	-	BRAKE HANDLE,UNTIL 00-06





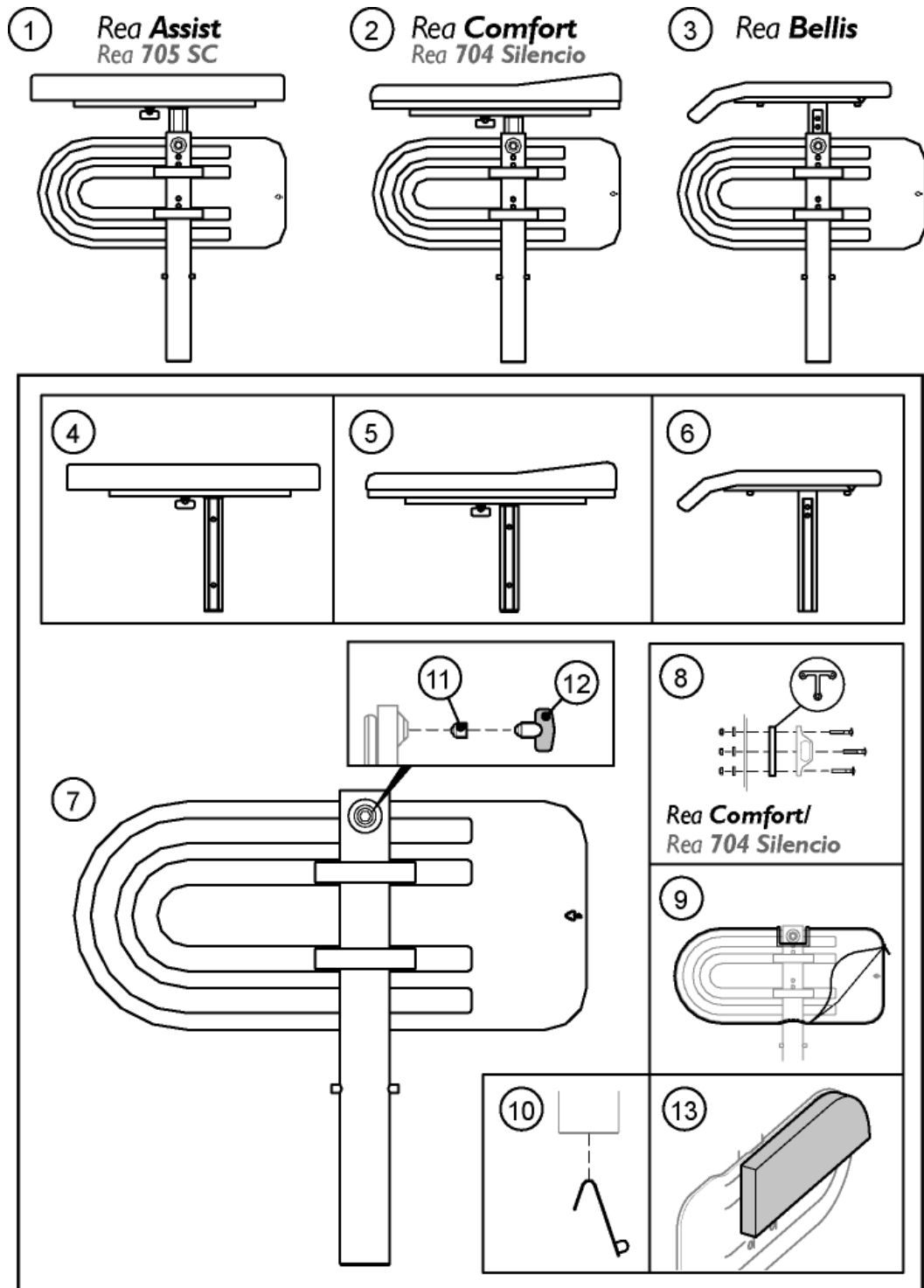
Pos.	Art.No.	Price	Description
	1434787	-	DRUM BRAKE,RIGHT
	1434788	-	DRUM BRAKE,LEFT
1	5207606	-	DRUM BRAKE,RIGHT (-2004.06.01)
1	5207607	-	DRUM BRAKE,LEFT (-2004.06.01)



Chapter 4

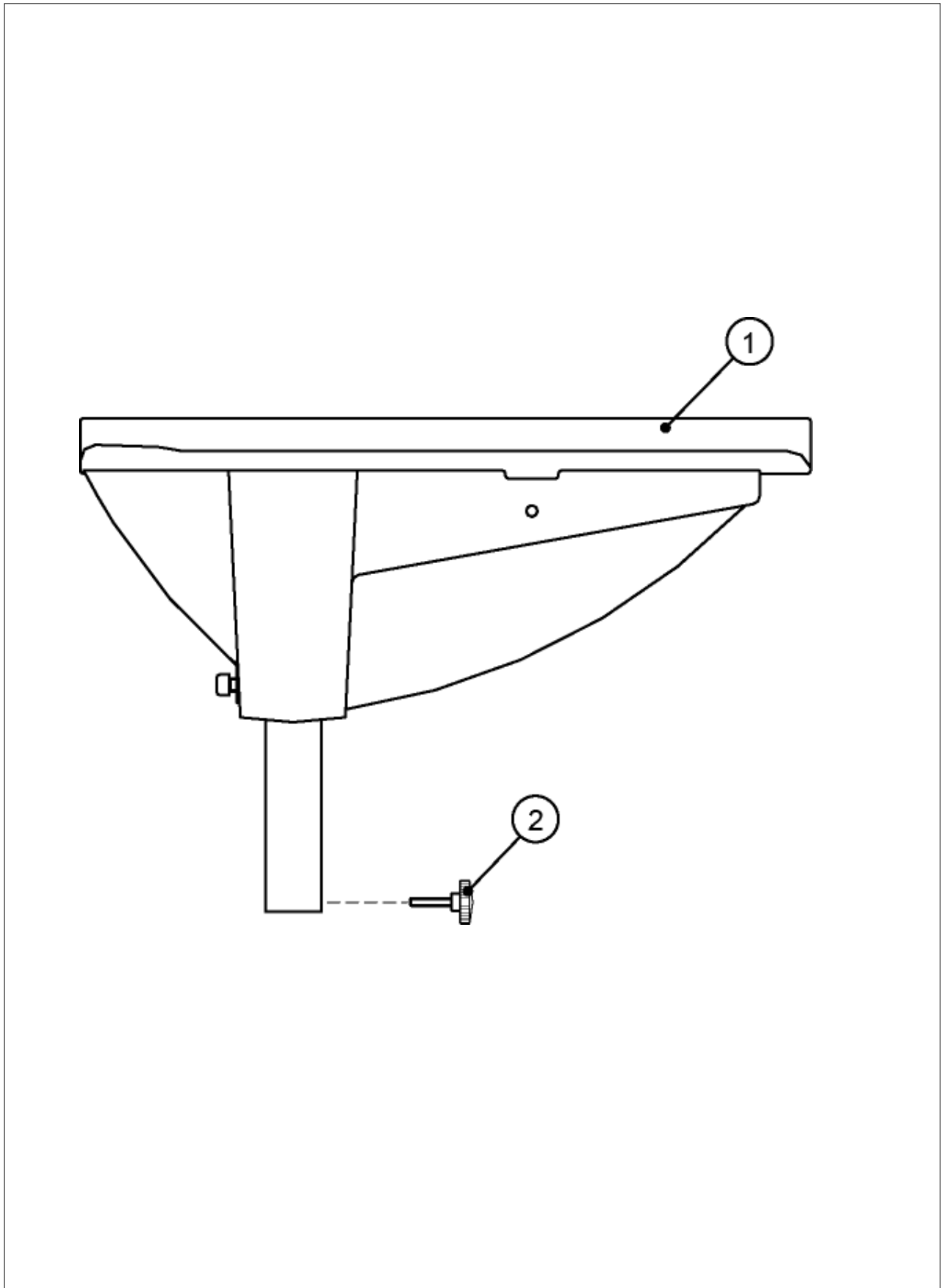
Armrest, height adj.
Armrest (to 2003)
Armrest, hemiplegic

Page 4:1
Page 4:3
Page 4:5



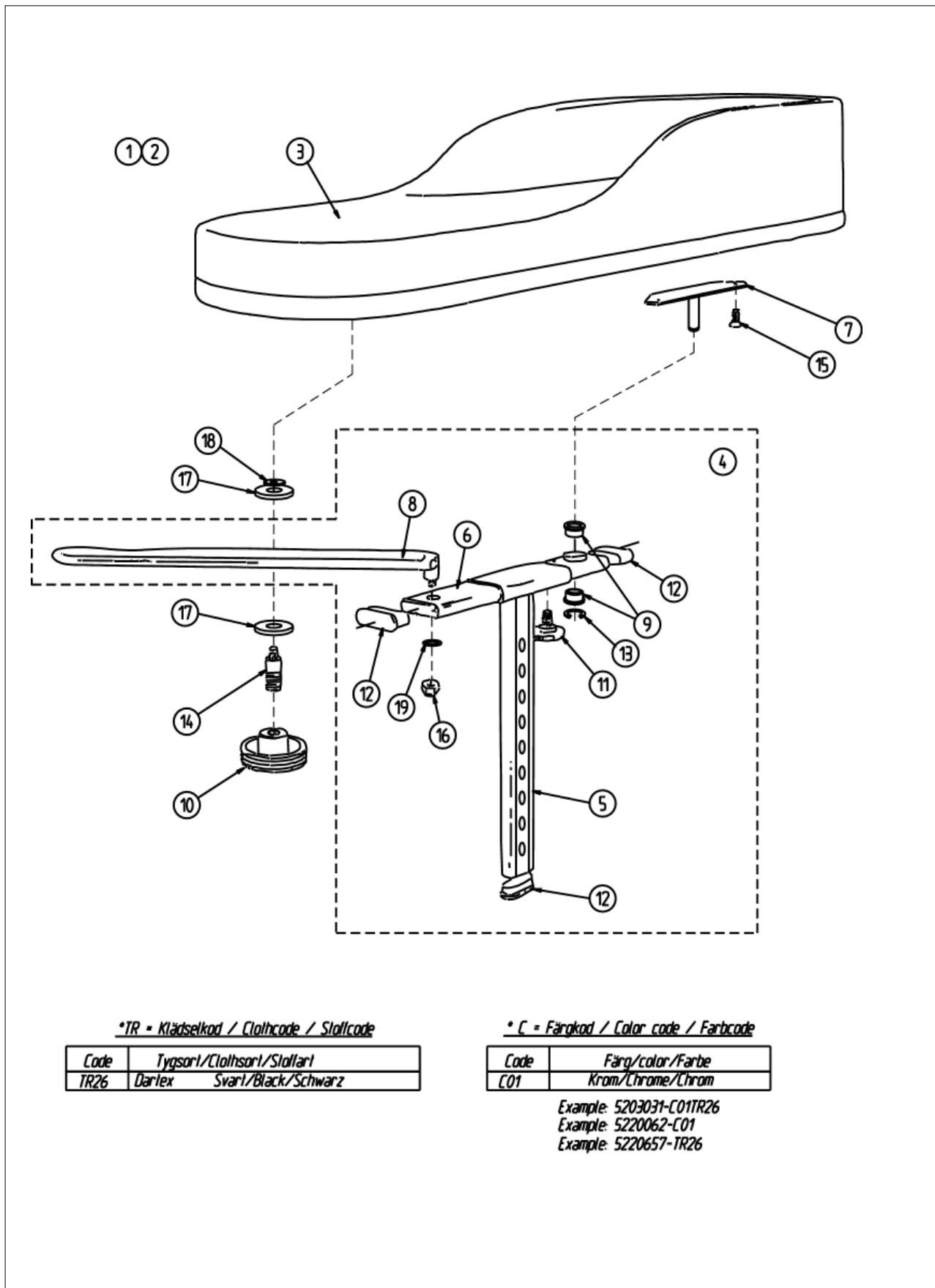


Pos.	Art.No.	Price	Description
1	1427167	-	ARMREST,HEIGHT ADJ.,LEFT,KPL.,DARTEX BLACK,REA ASSIST
1	1427168	-	ARMREST,HEIGHT ADJ.,RIGHT,KPL.,DARTEX BLACK,REA ASSIST
2	1415451	-	ARMREST,HEIGHT ADJ.,RIGHT,KPL.,DARTEX BLACK
2	1415452	-	ARMREST,HEIGHT ADJ.,LEFT,KPL.,DARTEX BLACK
3	1415517	-	ARMREST,HEIGHT ADJ.,RIGHT,KPL.,REA COMFORT
3	1415518	-	ARMREST,HEIGHT ADJ.,LEFT,KPL.,REA COMFORT
4	1427169	-	ARMREST,UPPERPART,CPL.,LEFT,REA ASSIST
4	1427170	-	ARMREST,UPPERPART,CPL.,RIGHT,REA ASSIST
5	1420018	-	ARMREST,UPPERPART,CPL.,RIGHT,REA COMFORT
5	1420019	-	ARMREST,UPPERPART,CPL.,LEFT,REA COMFORT
6	5106631-C07	-	ARMREST,UPPERPART,CPL.,RIGHT
6	5106632-C07	-	ARMREST,UPPERPART,CPL.,LEFT
7	1415520	-	SIDE GUARD RIGHT CPL
7	1415521	-	SIDE GUARD LEFT CPL
8	1415462	-	WIDTH EXTENSION KIT,SIDE SUPPORT
9	1415453	-	POLSTERY,SIDE SUPPORT,BLACK DARTEX
10	5721060	-	SPRING FOR CRUTCH HOLDER
11	5106533	-	LOCK-SCREW ARMREST
12	5221122	-	HAND WHEEL M12 CPL.
13	1446031	-	CUSHION,SIDE GUARD,PAIR





Pos.	Art.No.	Price	Description
	5254114-TR23	-	ARMREST PAIR,ASSIST
	5254115-TR23	-	ARMREST LE,ASSIST
	5254116-TR23	-	ARMREST RI,ASSIST
1	5254156-TR26	-	ARMREST PAD LEFT
1	5254157-TR26	-	ARMREST PAD RIGHT
2	5724264	-	HANDWHEEL M6X30 BLACK



*TR = Klädselkod / Clothcode / Stoffcode

Code	Tygslag / Clothslag / Stoffart
TR26	Dartex Svart/Black/Schwarz

*C = Färgkod / Color code / Farbcode

Code	Färg/color/Farbe
C01	Krom/Chrome/Chrom

Example: 5203031-C01TR26
 Example: 5220062-C01
 Example: 5220657-TR26



Pos.	Art.No.	Price	Description
1	5203031-C01TR26	-	ARMR. CUSHION RI HEMI CPL
2	5203030-C01TR26	-	ARMR. CUSHION LE HEMI CPL
3	5220657-TR26	-	ARMREST PAD HEMI
4	5207540	-	ARMREST BRACKET RI HEMI
4	5207541	-	ARMREST BRACKET LE HEMI
5	5220062-C01	-	ARMREST POLE LE HEMI,REA
5	5220063-C01	-	ARMREST POLE RI HEMI,REA
6	5220649-C02	-	TELESC. TUBE HEMI ARMREST
7	5220647-C02	-	MOUNTING PLATE,HEMI
8	5220651-C02	-	FORK,HEMI ARMSUPPORT
9	5716298	-	PLAIN BEARING 08-8-9 505
10	5726084	-	HANDWHEEL M8 BLACK
11	5220105	-	HANDWHEEL M6 (OLD MOD)
12	5716497	-	PLUG IPO "SPECIAL"
13	5729074	-	RETAINING RING RSM 6
14	5220645	-	PINN SCREW HEMI ARMREST
15	5724229	-	SCREW MFX H M4X20
16	5726044	-	NUT M5 LOC-KING FZB DIN 985
17	5220008	-	WASHER
18	5729090	-	WASHER NB STEEL 6,0X16X1
19	5729028	-	WASHER BRB 5,3X10X1

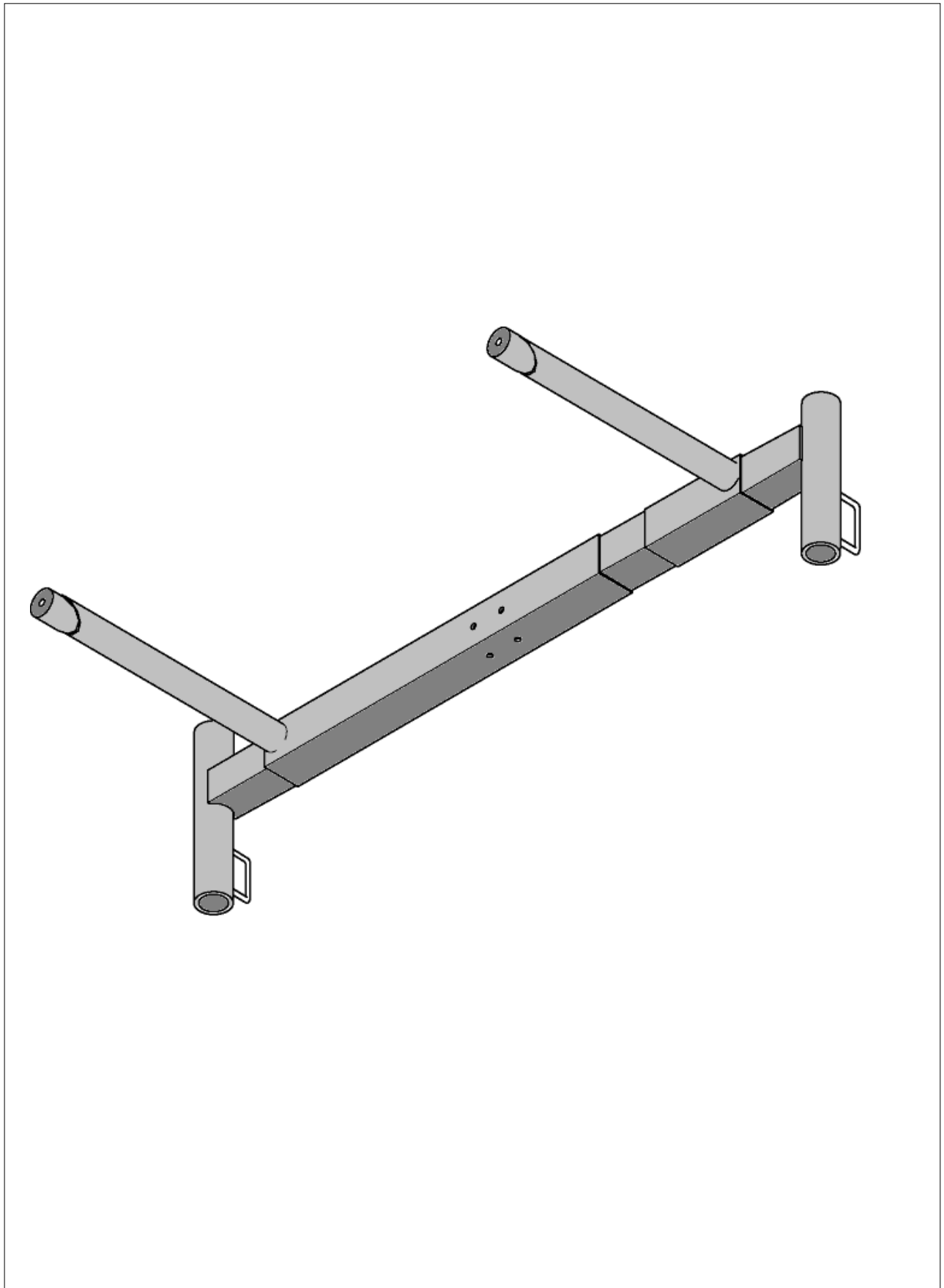
Chapter 5

Legrest attachment, Alu2003	Page 5:1
Legrest attachment (to 2005)	Page 5:3
Legrest attachment, steel legrest (to 2005)	Page 5:5
Legrest Alu2003, Fixed, upper part	Page 5:7
Legrest, AA, upper part, Alu2003	Page 5:9
Legrest, aluminium (to 2005)	Page 5:11
Legrest, steel (to 2005)	Page 5:13
Footrest, fixed, Alu2003	Page 5:15
Footrest, AA, Alu2003	Page 5:17
Footrest, fixed, alu. Legrest (to2005)	Page 5:19
Footrest, AA, alu. Legrest (to 2005)	Page 5:21
Footrest, steel (to 2005)	Page 5:23
Central footrest	Page 5:25
Amputee legrest, Alu2003	Page 5:27
Amputee legrest (to 2005)	Page 5:29
Heel strap	Page 5:31
Calf strap, Alu2003 legrest	Page 5:33
Calf pad, Alu2003 legrest	Page 5:35
Calf pad, Alu2003 legrest (to 2005)	Page 5:37
Calf pad, Alu2003 legrest (to 2004)	Page 5:39
Calf pad, alu. legrest (to 2005)	Page 5:41



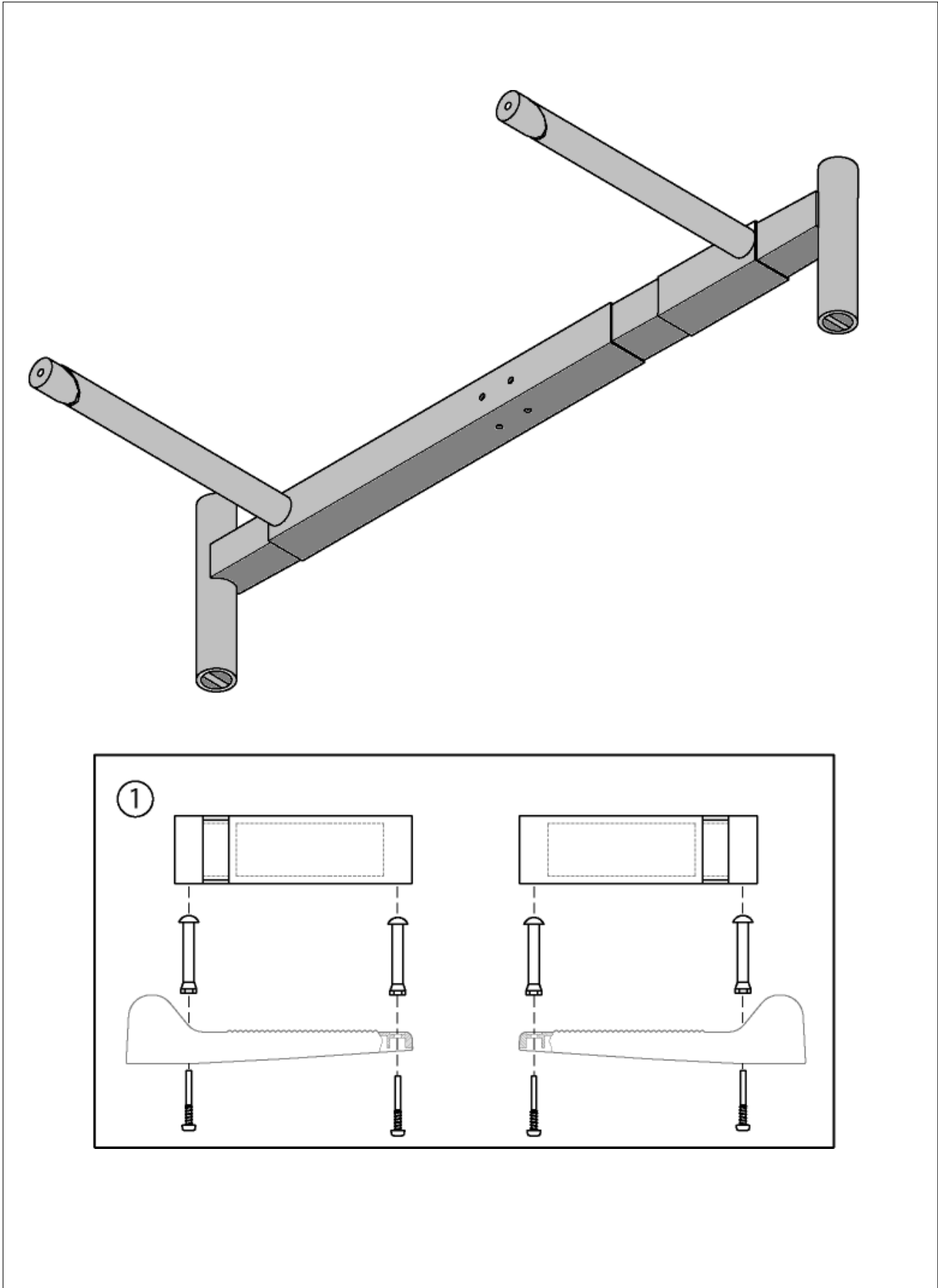


Pos.	Art.No.	Price	Description
	1429268-0509	-	HANGER ATTACH. ALU2003 CPL., REA ASSIST



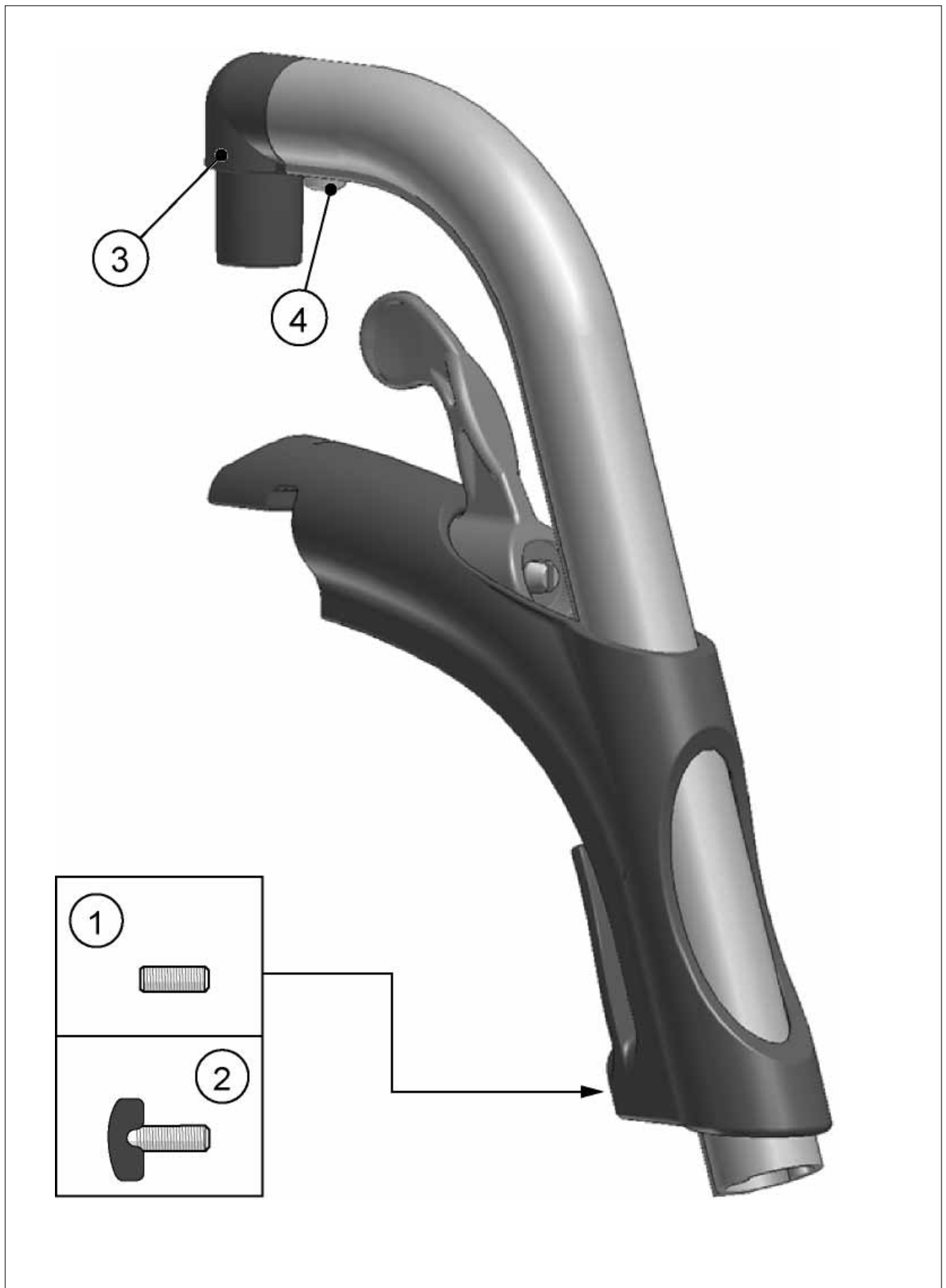


Pos.	Art.No.	Price	Description
	5254290-C5013	-	ATTACHMENT,LEGREST STANDARD,CPL



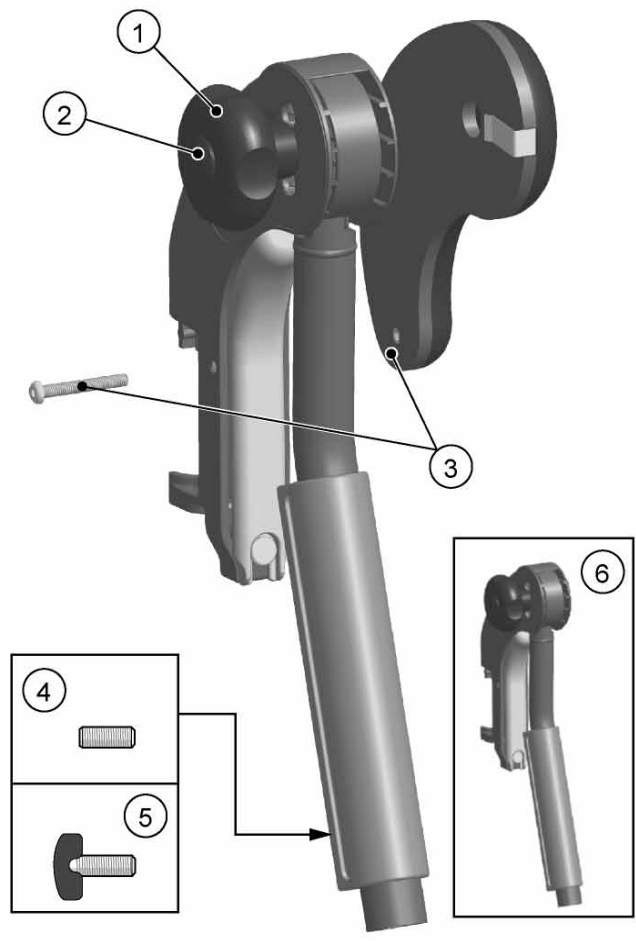


Pos.	Art.No.	Price	Description
1	5254343-C5013 5321579	- -	HANGER ATTACHMENT CPL,REA ASSIST HEEL LOOP 40-50 PAIR





Pos.	Art.No.	Price	Description
	1424577-0509	-	HANGER ALU2003, FIXED, CPL.
1	1424571	-	SCREW SUSP
2	1429326	-	HANDWHEEL
3	1424536	-	PLASTIC JOINT, LEGREST
4	1440009	-	SCREW KXPT K50X18

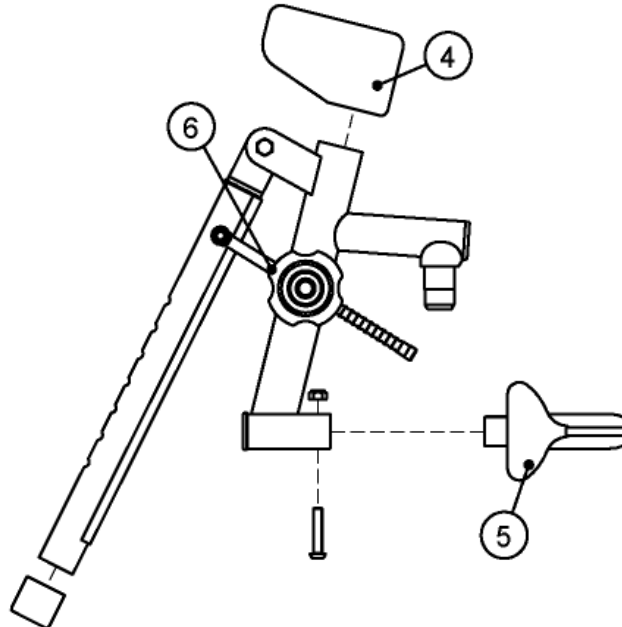




Pos.	Art.No.	Price	Description
	1445809-0509	-	HANGER ALU2003 ANGLE ADJ,RIGHT,CPL WITH KNEEPAD
	1445810-0509	-	HANGER ALU2003 ANGLE ADJ,LEFT,CPL WITH KNEEPAD
1	5716477	-	HANDWHEEL WN 730 D60-M8
2	5716478	-	PLASTIC SLEEVE SFL 21,BLACK
3	1445807	-	KNEEPAD LEGREST LEFT,ANGLE ADJ,ALU2003 CPL,DARTEX BLACK
3	1445808	-	KNEEPAD LEGREST RIGHT,ANGLE ADJ,ALU2003 CPL,DARTEX BLACK
4	1424571	-	SCREW SUSP
5	1429326	-	HANDWHEEL
6	1431359-0509	-	HANGER ALU2003,ANGLE ADJ.,RIGHT,CPL.
6	1431360-0509	-	HANGER ALU2003,ANGLE ADJ.,LEFT,CPL.
6	1431361-0509	-	HANGER ALU2003,ANGLE ADJ.,PAIR,CPL.

Adjustable/Ställbar/Verstellbar/Réglable (Adj.)

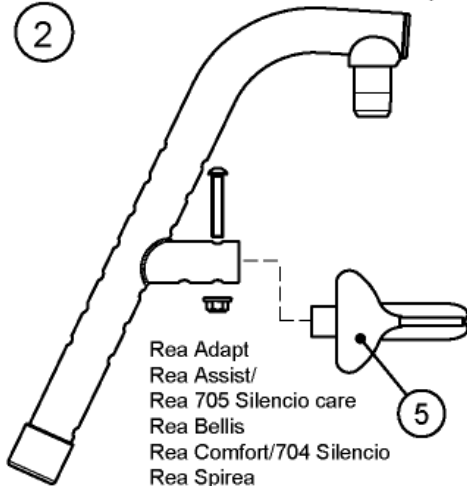
1



Rea Adapt
 Rea Assist/
 Rea 705 Silencio care
 Rea Bellis
 Rea Comfort/
 Rea 704 Silencio
 Rea Spirea

Fixed/Fast/Fest/Fixes 65° (F65)

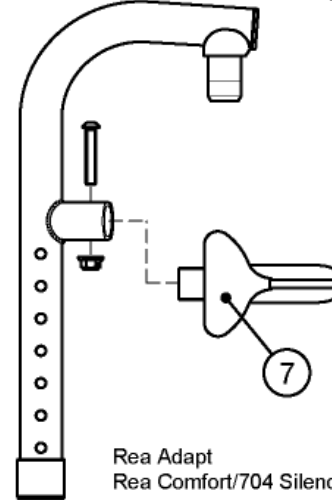
2



Rea Adapt
 Rea Assist/
 Rea 705 Silencio care
 Rea Bellis
 Rea Comfort/704 Silencio
 Rea Spirea

Fixed/Fast/Fest/Fixes 90° (F90)

3



Rea Adapt
 Rea Comfort/704 Silencio

F65°	F90°	AA	
C4007	C4007	C4007	Aubergine
C5013	C5013	C5013	Dark blue/Mörkblå/Dunkel blau/Bleu foncé
C9005	C9005	C9005	Black/Svart/Schwartz/Noir
C9005F	C9005F	C9005F	Black flake/Svart flake/Schwartz flake/Noir flake
CRED1	CRED1	CRED1	Red/Röd/Rot/Rouge
CRED2*		CRED2*	Bordeaux red/Bordeauxröd/Bordeaux rot/Bordeaux
0515**		0515**	Pearl grey

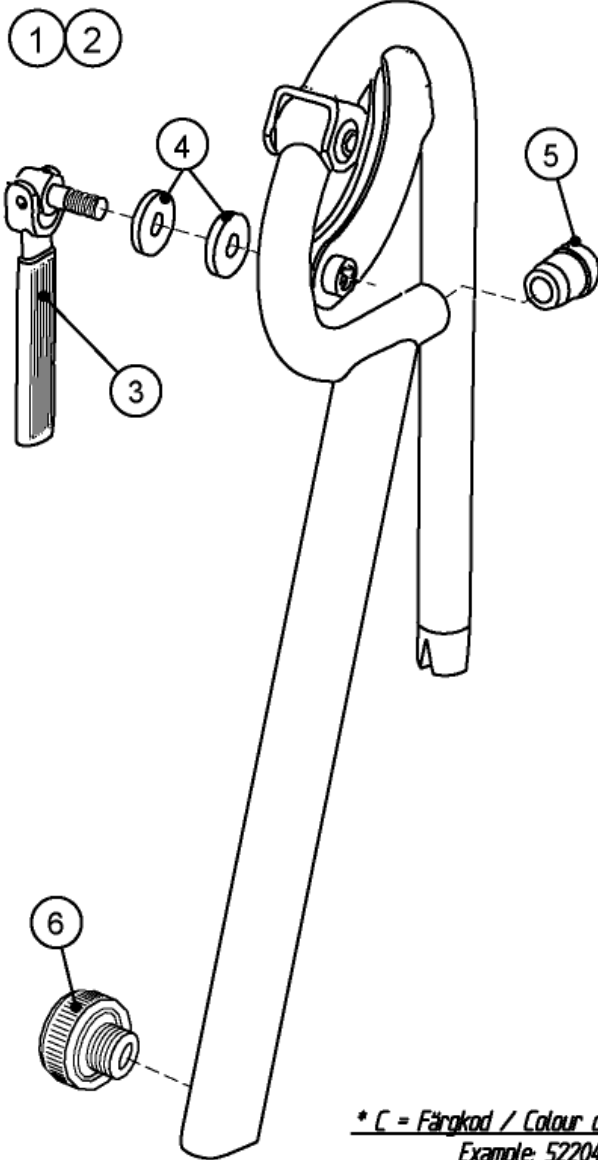
* Bellis ** Spirea2



Pos.	Art.No.	Price	Description
1	5104165-0515	-	ANGLE ADJ LEGREST LEFT
1	5104165-C4007	-	ANGLE ADJ LEGREST LEFT
1	5104165-C5013	-	ANGLE ADJ LEGREST LEFT
1	5104165-C9005	-	ANGLE ADJ LEGREST LEFT
1	5104165-C9005F	-	ANGLE ADJ LEGREST LEFT
1	5104165-CRED1	-	ANGLE ADJ LEGREST LEFT
1	5104165-CRED2	-	ANGLE ADJ LEGREST LEFT
1	5104166-0515	-	ANGLE ADJ. LEGREST PAIR
1	5104166-C4007	-	ANGLE ADJ. LEGREST PAIR
1	5104166-C5013	-	ANGLE ADJ. LEGREST PAIR
1	5104166-C9005F	-	ANGLE ADJ. LEGREST PAIR
1	5104166-CRED1	-	ANGLE ADJ. LEGREST PAIR
1	5104166-CRED2	-	ANGLE ADJ. LEGREST PAIR
2	5103204-0515	-	FOOTR UPPER PART RI CPL
2	5103204-C4007	-	FOOTR U.PART RI CPL
2	5103204-C5013	-	FOOTR U.PART RI CPL
2	5103204-C9005	-	FOOTR U.PART RI CPL
2	5103204-C9005F	-	FOOTR U.PART RI CPL
2	5103204-CRED1	-	FOOTR U.PART RI CPL
2	5103204-CRED2	-	FOOTR U.PART RI CPL
2	5103205-0515	-	FOOTR UPPER PART LE CPL
2	5103205-C4007	-	FOOTR U.PART LE CPL
2	5103205-C5013	-	FOOTR U.PART LE CPL
2	5103205-C9005	-	FOOTR U.PART LE CPL
2	5103205-C9005F	-	FOOTR U.PART LE CPL
2	5103205-CRED1	-	FOOTR U.PART LE CPL
2	5103205-CRED2	-	FOOTR U.PART LE CPL
2	5104517-0515	-	FOOTR U.PART RI CPL,-5
2	5104517-C4007	-	FOOTR U.PART RI CPL,-5
2	5104517-C5013	-	FOOTR U.PART RI CPL,-5
2	5104517-C9005F	-	FOOTR U.PART RI CPL,-5
2	5104517-CRED1	-	FOOTR U.PART RI CPL,-6
2	5104518-0515	-	FOOTR U.PART LE CPL,-5
2	5104518-C4007	-	FOOTR U.PART LE CPL,-5
2	5104518-C5013	-	FOOTR U.PART LE CPL,-5
2	5104518-C9005F	-	FOOTR U.PART LE CPL,-5
2	5104518-CRED1	-	FOOTR U.PART LE CPL,-6
3	5106198-C4007	-	FOOTR U.PART U-S LE CPL
3	5106198-C5013	-	FOOTR U.PART U-S LE CPL
3	5106198-C9005	-	FOOTR U.PART U-S LE CPL
3	5106198-C9005F	-	FOOTR U.PART U-S LE CPL
3	5106198-CRED1	-	FOOTR U.PART U-S LE CPL
3	5106199-C4007	-	FOOTR U.PART U-S RI CPL
3	5106199-C5013	-	FOOTR U.PART U-S RI CPL
3	5106199-C9005	-	FOOTR U.PART U-S LE CPL
3	5106199-C9005F	-	FOOTR U.PART U-S RI CPL
3	5106199-CRED1	-	FOOTR U.PART U-S RI CPL
4	5104089	-	COVER,ANGULAR ADJ. LEGREST
5	5103206	-	LOCKHOUSE COMPL.
6	5104171	-	LOCK FOR ADJ. LEGREST
7	5106204	-	LOCK HOUSE CPL,ADAPT

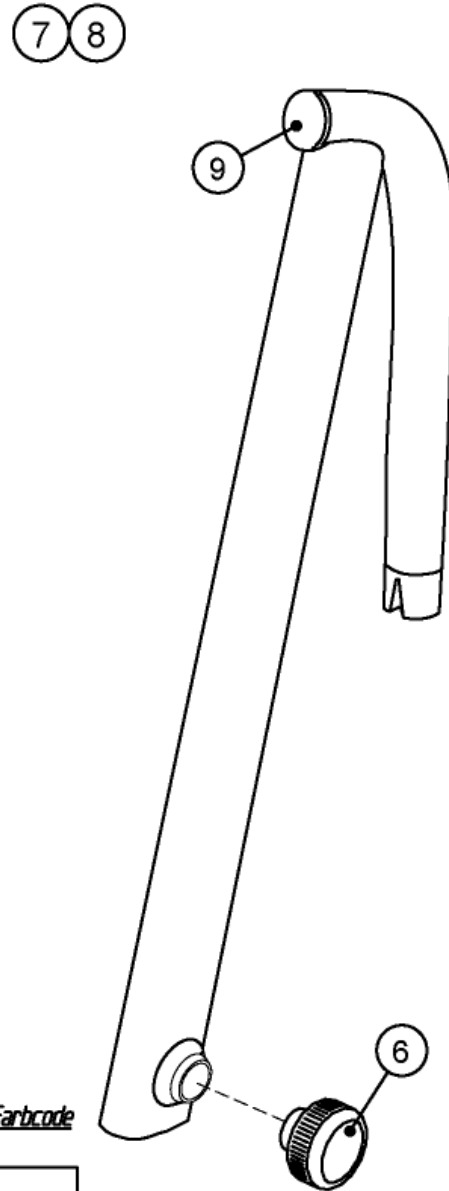
Adjustable/Ställbar/Verstellbar/Réglable

Rea Assist/705 SC
 Rea Comfort/704 S
 Rea 703



Fixed/Fast/Fest/Fixes

Rea Assist/705 SC
 Rea Comfort/704 S
 Rea 703 / Rea 150



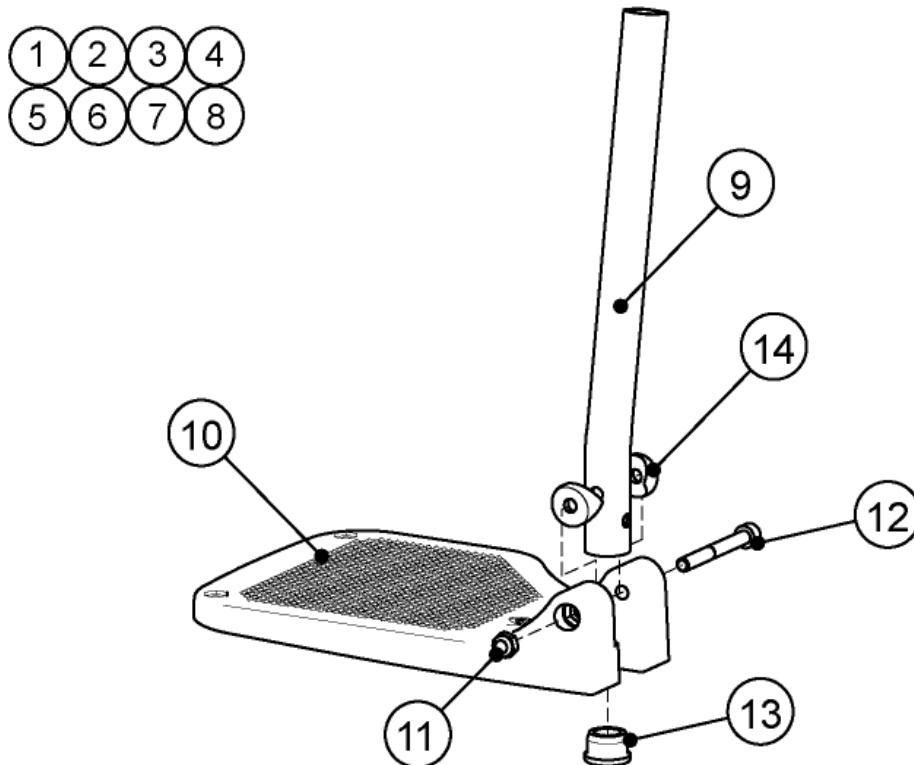
* C = Färgkod / Colour code / Farbcode
 Example: 5220479-C01

Code	Färg/colour/Farbe
C01	Krom/Chrome/Chrom
C501B	Blå/Blue/Blau
C4007	Aubergine/Aubergine/Aubergine
C500F	Blå flake/Blue flake/Blau Flake



Pos.	Art.No.	Price	Description
1	5290262-C01	-	LEGR UPP.PART AA LE CPL
1	5290262-C4007	-	LEGR UPP.PART AA LE CPL
1	5290262-C5001F	-	LEGR UPP.PART AA LE CPL
1	5290262-C5013	-	LEGR UPP.PART AA LE CPL
2	5290261-C01	-	LEGR UPP.PART AA RI CPL
2	5290261-C4007	-	LEGR UPP.PART AA RI CPL
2	5290261-C5001F	-	LEGR UPP.PART AA RI CPL
2	5290261-C5013	-	LEGR UPP.PART AA RI CPL
3	5252270	-	LOCKING HANDLE CPL.,ANGULAR ADJ. LEGREST
4	5220008	-	WASHER
5	5716489	-	PLASTIC CAP 19/16,5 BLAC
6	5221122	-	HAND WHEEL M12 CPL.
7	5290255-C01	-	"FOOTR U.PART RI CPL,8""
7	5290255-C4007	-	"FOOTR U.PART RI CPL,8""
7	5290255-C5001F	-	"FOOTR U.PART RI CPL,8""
7	5290255-C5013	-	"FOOTR U.PART RI CPL,8""
7	5290256-C01	-	"FOOTR U.PART LE CPL,8""
7	5290256-C4007	-	"FOOTR U.PART LE CPL,8""
7	5290256-C5001F	-	"FOOTR U.PART LE CPL,8""
7	5290256-C5013	-	"FOOTR U.PART LE CPL,8""
7	5290364-C01	-	"FOOTR U.PART RI,8""-5CM"
7	5290364-C4007	-	"FOOTR U.PART RI,8""-5CM"
7	5290364-C5001F	-	"FOOTR U.PART RI,8""-5CM"
7	5290364-C5013	-	"FOOTR U.PART RI,8""-5CM"
7	5290365-C01	-	"FOOTR U.PART LE,8""-5CM"
7	5290365-C4007	-	"FOOTR U.PART LE,8""-5CM"
7	5290365-C5001F	-	"FOOTR U.PART LE,8""-5CM"
7	5290365-C5013	-	"FOOTR U.PART LE,8""-5CM"
8	5290257-C01	-	"FOOTR U.PART RI CPL,5""
8	5290257-C4007	-	"FOOTR U.PART RI CPL,5""
8	5290257-C5001F	-	"FOOTR U.PART RI CPL,5""
8	5290257-C5013	-	"FOOTR U.PART RI CPL,5""
8	5290257-C5020	-	"FOOTR U.PART RI CPL,5""
8	5290258-C01	-	"FOOTR U.PART LE CPL,5""
8	5290258-C4007	-	"FOOTR U.PART LE CPL,5""
8	5290258-C5001F	-	"FOOTR U.PART LE CPL,5""
8	5290258-C5013	-	"FOOTR U.PART LE CPL,5""
8	5290258-C5020	-	"FOOTR U.PART LE CPL,5""
8	5290366-C01	-	"FOOTR U.PART RI,5""-5CM"
8	5290366-C4007	-	"FOOTR U.PART RI,5""-5CM"
8	5290366-C5001F	-	"FOOTR U.PART RI,5""-5CM"
8	5290366-C5013	-	"FOOTR U.PART RI,5""-5CM"
8	5290366-C5020	-	"FOOTR U.PART RI,5""-5CM"
9	5716279	-	PLASTIC CAP SFL 18 BLACK

	Sittbredd/ Seat width/ Sitzbreite/ Largeur d'assise									
	Kort/ Short/ Kurz/ Court (24 cm)			Lång/ Long/ Lang/ Long (36 cm)						
<i>Rea Assist/ 705 Silencio Care</i>	40-50		45-55		40-50		45-55			
	2		3		6		7			
<i>Rea Bellis</i>	41(S)	46(M)	51(L)	41(S)	46(M)	51(L)				
	2	3	4	6	7	8				
<i>Rea Comfort/ 704 Silencio</i>	39	44	49	39	44	49				
	2	3	4	6	7	8				
<i>Rea Clematis</i>	39	44	49	39	44	49				
	1	2	3	5	6	7				
<i>Rea Focus</i>	38	43	48	38	43	48				
	1	2	3	5	6	7				
<i>Rea Spirea²</i>	38	40,5	43	45,5	50,5	38	40,5	43	45,5	50,5
	1	1	2	2	3	5	5	6	6	7

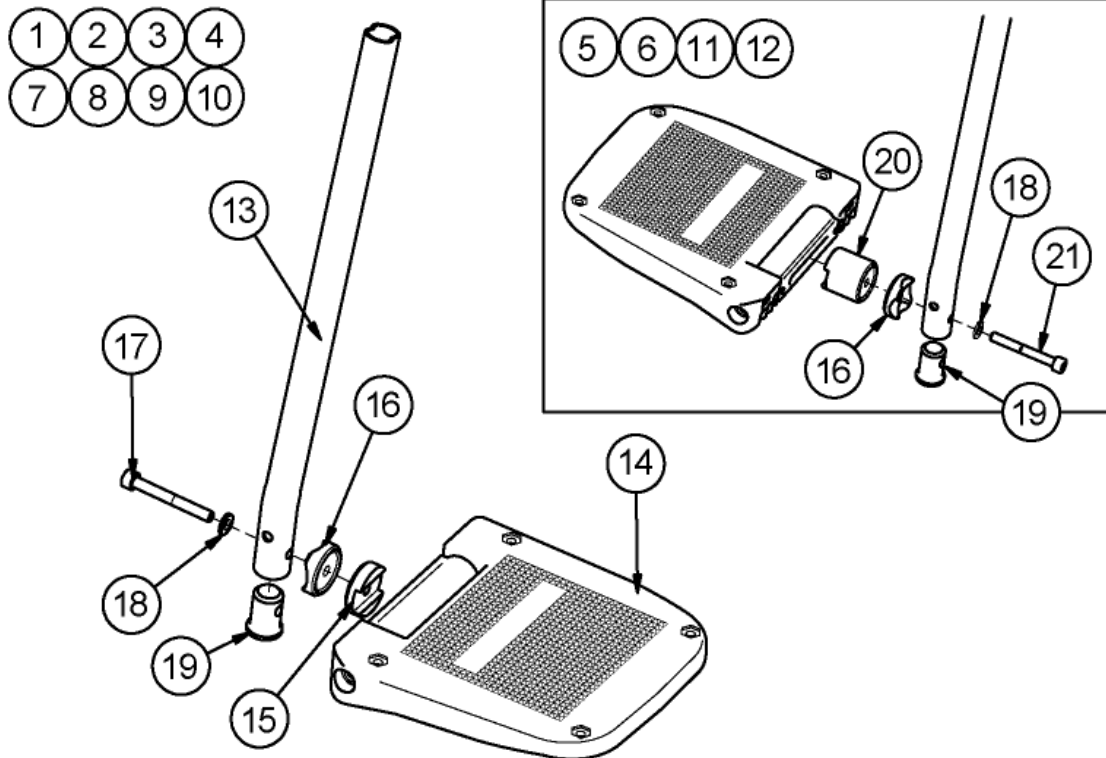


Före/ Before/ Bis/ Avant 2004-06-01						
	Sittbredd/ Seat width/ Sitzbreite/ Largeur d'assise					
	Kort/ Short/ Kurz/ Court (24 cm)			Lång/ Long/ Lang/ Long (36 cm)		
<i>Rea Bellis</i>	S	M	L	S	M	L
	1	2	3	5	6	7
<i>Rea Comfort/ 704 Silencio</i>	39	44	49	39	44	49
	1	2	3	5	6	7



Pos.	Art.No.	Price	Description
1	1428357	-	FOOTREST 19 ALU2003,LOWER PART,FIXED,SHORT,LEFT
1	1428358	-	FOOTREST 19 ALU2003,LOWER PART,FIXED,SHORT,RIGHT
2	1428361	-	FOOTREST 21 ALU2003,LOWER PART,FIXED,SHORT,LEFT
2	1428362	-	FOOTREST 21 ALU2003,LOWER PART,FIXED,SHORT,RIGHT
3	1428365	-	FOOTREST 24 ALU2003,LOWER PART,FIXED,SHORT,LEFT
3	1428366	-	FOOTREST 24 ALU2003,LOWER PART,FIXED,SHORT,RIGHT
4	1435756	-	FOOTREST 27 ALU2003,LOWER PART,FIXED,SHORT,LEFT
4	1435757	-	FOOTREST 27 ALU2003,LOWER PART,FIXED,SHORT,RIGHT
5	1428359	-	FOOTREST 19 ALU2003,LOWER PART,FIXED,LONG,LEFT
5	1428360	-	FOOTREST 19 ALU2003,LOWER PART,FIXED,LONG,RIGHT
6	1428363	-	FOOTREST 21 ALU2003,LOWER PART,FIXED,LONG,LEFT
6	1428364	-	FOOTREST 21 ALU2003,LOWER PART,FIXED,LONG,RIGHT
7	1428367	-	FOOTREST 24 ALU2003,LOWER PART,FIXED,LONG,LEFT
7	1428368	-	FOOTREST 24 ALU2003,LOWER PART,FIXED,LONG,RIGHT
8	1435659	-	FOOTREST 27 ALU2003,LOWER PART,FIXED,LONG,LEFT
8	1435660	-	FOOTREST 27 ALU2003,LOWER PART,FIXED,LONG,RIGHT
9	1424540	-	FOOTREST TUBE,SHORT
9	1427165	-	FOOTREST TUBE,LONG
10	1424574	-	FOOTPLATE 21,LEFT
10	1424575	-	FOOTPLATE 21,RIGHT
10	1428340	-	FOOTPLATE 19,LEFT
10	1428341	-	FOOTPLATE 19,RIGHT
10	1428346	-	FOOTPLATE 24,LEFT
10	1428347	-	FOOTPLATE 24,RIGHT
10	1428374	-	FOOTPLATE 262 LE
10	1428375	-	FOOTPLATE 262 RI
11	5726051	-	NUT LOC-KING M6
12	5724279	-	SCREW MC6S M6X50 12.9DEC
13	1424576	-	PLUG IKPT 2017S
14	5716470	-	PLASTIC-DIST DK 19X2,5 SV

	Sittbredd/ Seat width/ Sitzbreite/ Largeur d'assise									
	Kort/ Short/ Kurz/ Court (24 cm)					Lång/ Long/ Lang/ Long (36 cm)				
	40-50		45-55			40-50		45-55		
<i>Rea Assist/</i> <i>705 Silencio Care</i>	1		3			7		9		
<i>Rea Bellis</i> <i>Rea Bellis 150*</i>	41(S)	46(M)	51(L*)			41(S)	46(M)	51(L*)		
<i>Rea Comfort/</i> <i>704 Silencio</i>	39	44	49			39	44	49		
<i>Rea Clematis</i>	39	44	49			39	44	49		
<i>Rea Focus</i> <i>Rea Focus 150*</i>	38	43	48*			38	43	48*		
<i>Rea Spirea²</i>	38	40,5	43	45,5	50,5	38	40,5	43	45,5	50,5
	1	1	3	3	4	7	7	9	9	10



Före/ Before/ Bis/ Avant 2004-06-01

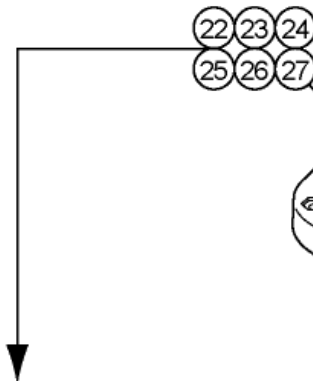
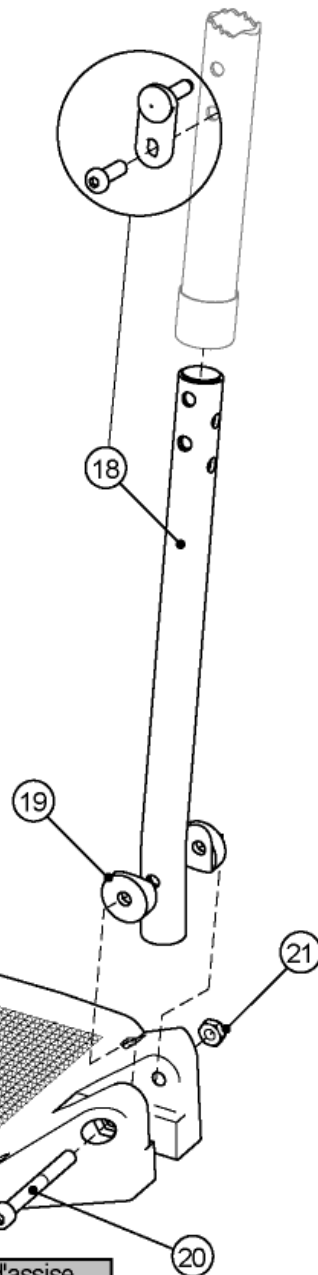
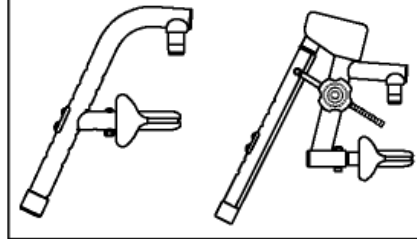
	Sittbredd/ Seat width/ Sitzbreite/ Largeur d'assise					
	Kort/ Short/ Kurz/ Court (24 cm)			Lång/ Long/ Lang/ Long (36 cm)		
	S	M	L	S	M	L
<i>Rea Bellis</i>	2	3	6	8	9	12
<i>Rea Comfort/</i> <i>Rea 704 Silencio</i>	39	44	49	39	44	49
	1	3	4	7	9	10



Pos.	Art.No.	Price	Description
1	1429159	-	FOOTREST 14 ALU2003,LOWER PART,AA,SHORT,LEFT
1	1429160	-	FOOTREST 14 ALU2003,LOWER PART,AA,SHORT,RIGHT
2	1429161	-	FOOTREST 16 ALU2003,LOWER PART,AA,SHORT,LEFT
2	1429162	-	FOOTREST 16 ALU2003,LOWER PART,AA,SHORT,RIGHT
3	1429163	-	FOOTREST 17 ALU2003,LOWER PART,AA,SHORT,LEFT
3	1429164	-	FOOTREST 17 ALU2003,LOWER PART,AA,SHORT,RIGHT
4	1429165	-	FOOTREST 18 ALU2003,LOWER PART,AA,SHORT,LEFT
4	1429166	-	FOOTREST 18 ALU2003,LOWER PART,AA,SHORT,RIGHT
5	1429167	-	FOOTREST,LOWER PART 19,ALU2003,AA,SHORT,LEFT
5	1429168	-	FOOTREST,LOWER PART 19,ALU2003,AA,SHORT,RIGHT
6	1429169	-	FOOTREST 20 ALU2003,LOWER PART,AA,SHORT,LEFT
6	1429170	-	FOOTREST 20 ALU2003,LOWER PART,AA,SHORT,RIGHT
7	1429171	-	FOOTREST 14 ALU2003,LOWER PART,AA,LONG,LEFT
7	1429172	-	FOOTREST 14 ALU2003,LOWER PART,AA,LONG,RIGHT
8	1429173	-	FOOTREST 16 ALU2003,LOWER PART,AA,LONG,LEFT
8	1429174	-	FOOTREST 16 ALU2003,LOWER PART,AA,LONG,RIGHT
9	1429175	-	FOOTREST 17 ALU2003,LOWER PART,AA,LONG,LEFT
9	1429176	-	FOOTREST 17 ALU2003,LOWER PART,AA,LONG,RIGHT
10	1429177	-	FOOTREST 18 ALU2003,LOWER PART,AA,LONG,LEFT
10	1429178	-	FOOTREST 18 ALU2003,LOWER PART,AA,LONG,RIGHT
11	1429179	-	FOOTREST,LOWER PART 19,ALU2003,AA,LONG,LEFT
11	1429180	-	FOOTREST,LOWER PART 19,ALU2003,AA,LONG,RIGHT
12	1429181	-	FOOTREST 20 ALU2003,LOWER PART,AA,LONG,LEFT
12	1429182	-	FOOTREST 20 ALU2003,LOWER PART,AA,LONG,RIGHT
13	1424540	-	FOOTREST TUBE,SHORT
13	1427165	-	FOOTREST TUBE,LONG
14	5106374	-	FOOTPLATE 43AD/44COM CPL
14	5106375	-	FOOTPLATE 46 CPL,ADAPT
14	5106376	-	FOOTPLATE 50 CPL,ADAPT
14	5106594	-	FOOTPLATE 48 CPL,ADAPT
15	5106080	-	LOCKING DISC,ANGULAR ADJ.
16	5104883	-	LOCKING DISC,ANGULAR ADJ.,ROUNDED
17	5724279	-	SCREW MC6S M6X50 12.9DEC
18	5729091	-	WASHER 6,4X12,5X1,5
19	1440041	-	PLUG,STEEL
20	5106587	-	DISTANCE AA-FOOTREST S/A
21	5724288	-	SCREW MC6S M6X70 12,9

Length/Längd/Länge/Longueur	Seat width/Sittbredd/Sitzbreite/Largeur d'assise					
Rea Adapt/Spirea	36	38	41	43	46	50
21	(1)	(3)	(6)	(9)	(12)	(15)
26*	(2)	(4)	(7)	(10)	(13)	(16)
Rea Comfort/704 Silencio	39		44		49	
21	(3)		(9)		(12)	
26*	(4)		(10)		(13)	
36	(5)		(11)		(14)	
Rea Bellis/Bellis simplex	S (39-43)		M (44-48)		L (49-53)	
21	(6)		(12)		(15)	
26*	(7)		(13)		(16)	
36	(8)		(14)		(17)	
Rea Assist/705 Silencio Care	40-50		45-55			
21	(9)		(12)			
26*	(10)		(13)			
36	(11)		(14)			

* Std. Length/Längd/Länge/Longueur

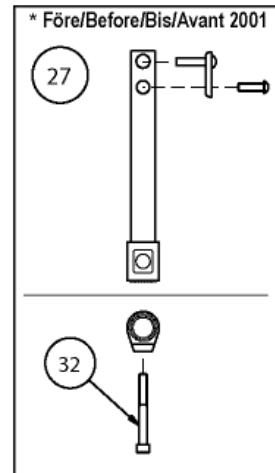
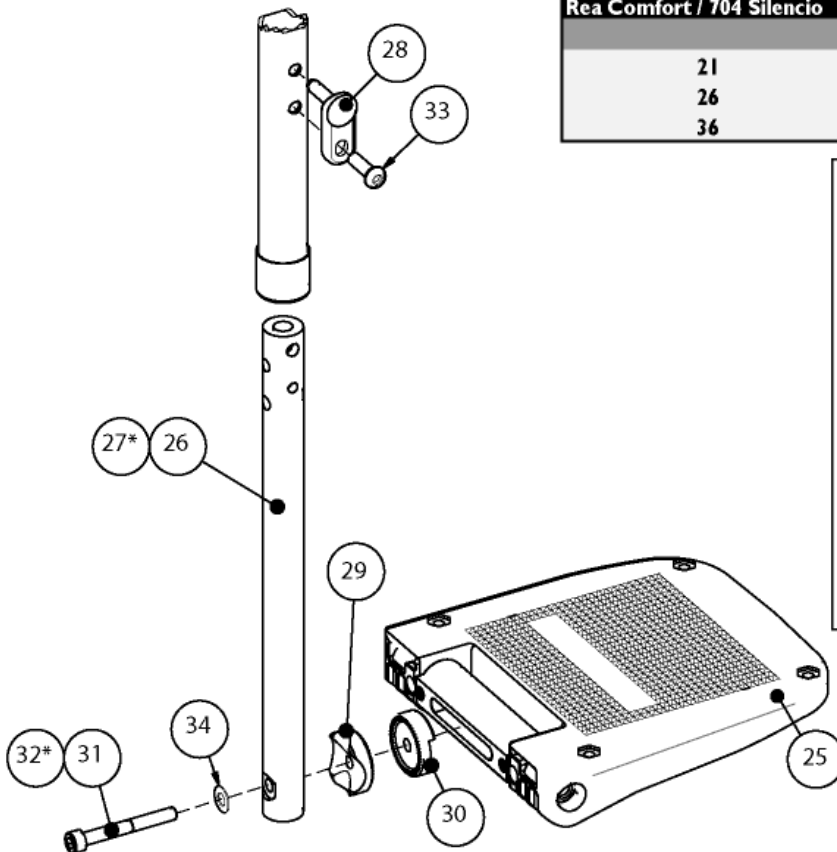


	Seat width/Sittbredd/Sitzbreite/Largeur d'assise					
Rea Adapt/Spirea	36	38	41	43	46	50
	(24)	(27)	(22)	(26)	(23)	(25)
Rea Comfort/704 Silencio	39		44		49	
	(27)		(26)		(23)	
Rea Bellis/Bellis simplex	S (39-43)		M (44-48)		L (49-53)	
	(22)		(23)		(25)	
Rea Assist/705 Silencio Care	40-50		45-55			
	(26)		(26)			



Pos.	Art.No.	Price	Description
1	5104541	-	FOOTR L.P 36 CPL RI,-5CM
1	5104545	-	FOOTR L.P 36 CPL LE,-5CM
2	5104355	-	FOOTR L.P 36 CPL RI,SPI
2	5104356	-	FOOTR L.P 36 CPL LE,SPI
3	5104542	-	FOOTR L.P 38 CPL RI,-5CM
3	5104546	-	FOOTR L.P 38 CPL LE,-5CM
4	5104358	-	FOOTR L.P 38 CPL RI,SPI
4	5104359	-	FOOTR L.P 38 CPL LE,SPI
5	5103394	-	FOOTR L.P 38 CPL RI,36CM
5	5103395	-	FOOTR L.P 38 CPL LE,36CM
6	5104521	-	FOOTR L.P 41 CPL RI,-5CM
6	5104522	-	FOOTR L.P 41 CPL LE,-5CM
7	5103208	-	FOOTR LP 41 CPL RI,SPIRE
7	5103209	-	FOOTR LP 41 CPL LE,SPIRE
8	5103388	-	FOOTREST LP 41 CPL RI,36 CM
8	5103389	-	FOOTREST LP 41 CPL LE,36 CM
9	5104543	-	FOOTR L.P 43 CPL RI,-5CM
9	5104547	-	FOOTR L.P 43 CPL LE,-5CM
10	5104361	-	FOOTR L.P 43 CPL RI,SPI
10	5104362	-	FOOTR L.P 43 CPL LE,SPI
11	5103396	-	FOOTR L.P 43 CPL RI,36CM
11	5103397	-	FOOTR L.P 43 CPL LE,36CM
12	5104523	-	FOOTR L.P 46 CPL RI,-5CM
12	5104524	-	FOOTR L.P 46 CPL LE,-5CM
13	5103211	-	FOOTR LP 46 CPL RI,SPIRE
13	5103212	-	FOOTR LP 46 CPL LE,SPIRE
14	5103390	-	FOOTR LP 46 CPL RI,36 CM
14	5103391	-	FOOTR LP 46 CPL LE,36 CM
15	5104544	-	FOOTR L.P 50 CPL RI,-5CM
15	5104548	-	FOOTR L.P 50 CPL LE,-5CM
16	5104364	-	FOOTR L.P 50 CPL RI,SPI
16	5104365	-	FOOTR L.P 50 CPL LE,SPI
17	5103398	-	FOOTREST L.P 50 CPL RI,36CM
17	5103399	-	FOOTREST L.P 50 CPL LE,36CM
18	5104215	-	FOOTREST TUBE CPL,SPIREA
18	5104528	-	FOOTREST TUBE CPL,-5CM
18	5104692	-	FOOTREST TUBE CPL,36 CM
19	5716470	-	PLASTIC-DIST DK 19X2,5 SV
20	5723314	-	SCREW MC6S M6X55 ZN.PL 8.8
21	5726051	-	NUT LOC-KING M6
22	5103100	-	FOOTPLATE 41 SPIREA
23	5103101	-	FOOTPLATE 46 SPIREA
24	5103331	-	FOOTPLATE 36,SPIREA
25	5103332	-	FOOTPLATE 50,SPIREA
26	5104231	-	FOOTPLATE 43,SPIREA
27	5104309	-	FOOTPLATE 38,SPIREA

Tube length / Rör längd / Rohr Länge / Longueur de tube	Seat width / Sittbredd / Sitzbreite / Largeur d'assise	Tube length / Rör längd / Rohr Länge / Longueur de tube	Seat width / Sittbredd / Sitzbreite / Largeur d'assise
Rea Adapt		Rea Adapt / Rea Spirea / Rea Spirea low	
18	36 38 41 43 46 50 (18) (19) (20) (21) (22) (23)	21 26	36 38 41 43 46 50 (1) (2) (3) (4) (5) (6) (7) (8) (9) (10) (11) (12)
Rea Assist / 705 Silencio Care		Rea Bellis / Rea Bellis Simplex	
18 21 26	40-50 45-55 (21) (24) (2) (4) (8) (10)	21 26 36	S M L (3) (4) (6) (9) (10) (12) (14) (15) (17)
Rea Comfort / 704 Silencio		Rea Assist / 705 Silencio Care	
18 21 26	39 44 49 (19) (21) (24) (1) (2) (4) (7) (8) (10)	21 26 36	40-50 45-55 (4) (6) (10) (12) (15) (17)
Rea Comfort / 704 Silencio		Rea Assist / 705 Silencio Care	
21 26 36	39 44 49 (2) (4) (5) (8) (10) (11) (13) (15) (16)		

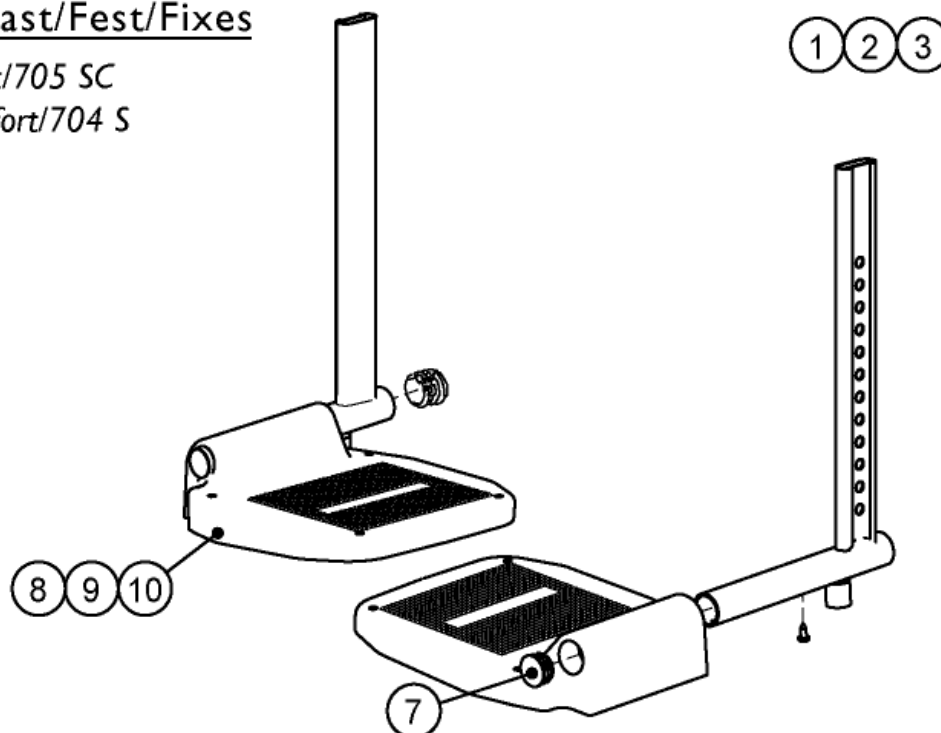




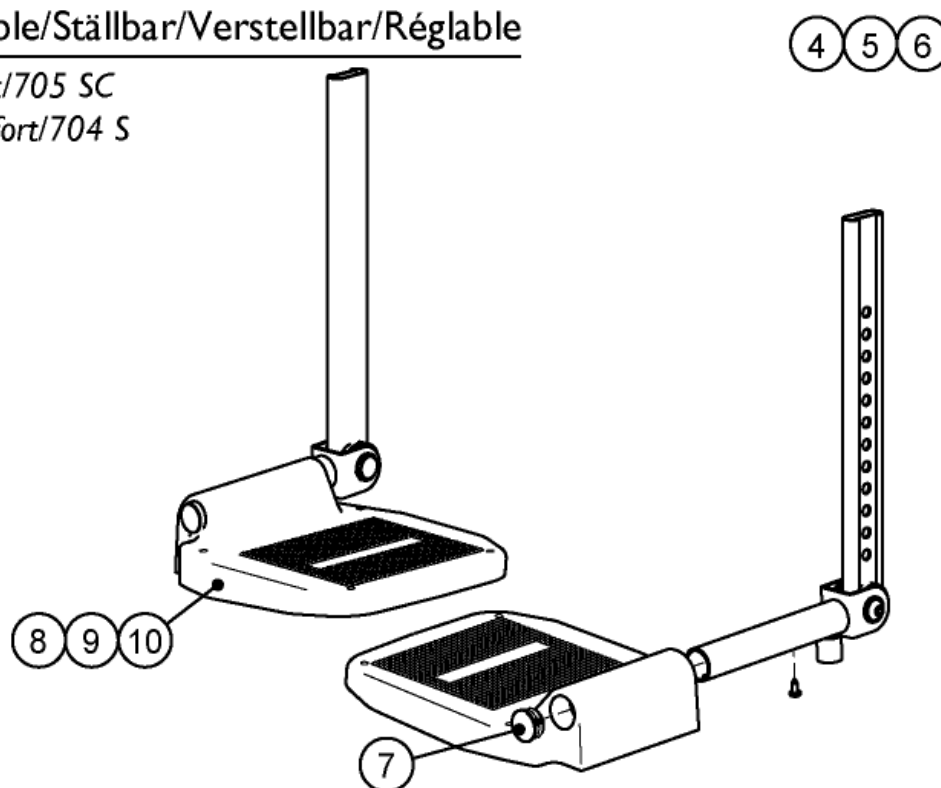
Pos.	Art.No.	Price	Description
1	5106638-C04	-	FOOTR L.P 36 AA CPL,-5CM
2	5106639-C04	-	FOOTR L.P 38 AA CPL,-5CM
3	5106640-C04	-	FOOTR L.P 41 AA CPL,-5CM
4	5106641-C04	-	FOOTR L.P 43 AA CPL,-5CM
5	5106642-C04	-	FOOTR L.P 46 AA CPL,-5CM
6	5106643-C04	-	FOOTR L.P 50 AA CPL,-5CM
7	5106588-C04	-	FOOTR L.P 36 AA CPL,SPI
8	5106589-C04	-	FOOTR L.P 38 AA CPL,SPI
9	5106590-C04	-	FOOTR L.P 41 AA CPL,SPI
10	5106591-C04	-	FOOTR L.P 43 AA CPL,SPI
11	5106592-C04	-	FOOTR L.P 46 AA CPL,SPI
12	5106593-C04	-	FOOTR L.P 50 AA CPL,SPI
13	5106677-C04	-	FOOTR L.P 38 AA CPL,36CM
14	5106678-C04	-	FOOTR L.P 41 AA CPL,36CM
15	5106679-C04	-	FOOTR L.P 43 AA CPL,36CM
16	5106680-C04	-	FOOTR L.P 46 AA CPL,36CM
17	5106685-C04	-	FOOTREST 50 AA CPL,36CM
18	5106200-C04	-	FOOTR L.P 36 ADJ CPL,AD
19	5106369-C04	-	FOOTR L.P 38AD/39COM CPL
20	5106201-C04	-	FOOTR L.P 41 ADJ CPL,AD
21	5106330-C04	-	FOOTR LP 43ADA/44COM CPL
22	5106202-C04	-	FOOTR L.P 46 ADJ CPL,AD
23	5106203-C04	-	FOOTR L.P 50 ADJ CPL,AD
24	5106612-C04	-	FOOTREST CPL 49,COMFORT
25	5106371	-	FOOTPLATE 36 CPL,ADAPT
25	5106372	-	FOOTPLATE 38AD/39COM CPL
25	5106373	-	FOOTPLATE 41 CPL,ADAPT
25	5106374	-	FOOTPLATE 43AD/44COM CPL
25	5106375	-	FOOTPLATE 46 CPL,ADAPT
25	5106376	-	FOOTPLATE 50 CPL,ADAPT
25	5106594	-	FOOTPLATE 48 CPL,ADAPT
26	5104879	-	FOOTREST TUBE AA 26 CM
26	5104880	-	FOOTREST TUBE AA 21 CM
26	5104881	-	FOOTREST TUBE AA 36 CM
26	5104882	-	FOOTREST TUBE AA 18 CM
27	5106488-C04	-	TUBE,AA FOOTREST CPL,18 CM
27	5106635-C04	-	TUBE,AA FOOTREST CPL,26 CM
27	5106646-C04	-	TUBE,AA FOOTREST CPL,21 CM
27	5106672-C04	-	TUBE,AA FOOTREST CPL,36 CM
28	5104959	-	LOCK PIN,LEGREST
29	5104883	-	LOCKING DISC,ANGULAR ADJ.,ROUNDED
30	5106080	-	LOCKING DISC,ANGULAR ADJ.
31	5724279	-	SCREW MC6S M6X50 12.9DEC
32	5724212	-	SCREW MC6S M6X55 12.9
33	5724113	-	SCREW K6S M6X20 A2
34	5729091	-	WASHER 6,4X12,5X1,5

Fixed/Fast/Fest/Fixes

Rea Assist/705 SC
Rea Comfort/704 S
Rea 703

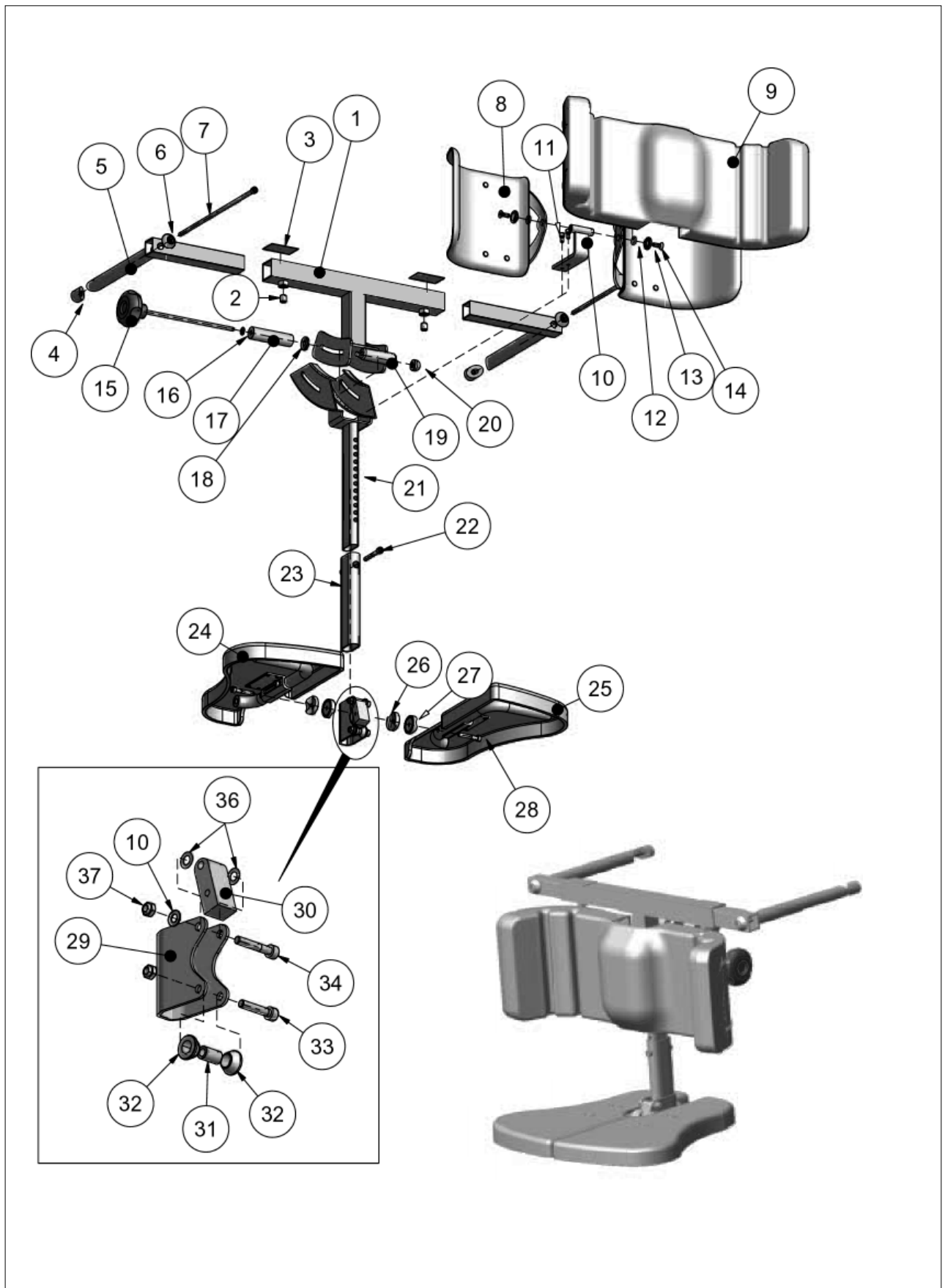
**Adjustable/Ställbar/Verstellbar/Réglable**

Rea Assist/705 SC
Rea Comfort/704 S
Rea 703





Pos.	Art.No.	Price	Description
1	5207063-C01	-	FOOTREST 19, FIXED, RIGHT, CPL. (L=158) - STEEL LEGREST
1	5207066-C01	-	FOOTREST 19, FIXED, LEFT, CPL. (L=158) - STEEL LEGREST
1	5290292-C01	-	FOOTREST 19, SHORT, FIXED, RIGHT, CPL. (L=108) - STEEL LEGREST
1	5290293-C01	-	FOOTREST 19, SHORT, FIXED, LEFT, CPL. (L=108) - STEEL LEGREST
2	5203422-C01	-	FOOTREST 22, FIXED, RIGHT, CPL. (L=158) - STEEL LEGREST
2	5203423-C01	-	FOOTREST 22, FIXED, LEFT, CPL. (L=158) - STEEL LEGREST
2	5203424-C01	-	FOOTREST 22, SHORT, FIXED, RIGHT, CPL. (L=108) - STEEL LEGREST
2	5203425-C01	-	FOOTREST 22, SHORT, FIXED, LEFT, CPL. (L=108) - STEEL LEGREST
3	5207064-C01	-	FOOTREST 24, FIXED, RIGHT, CPL. (L=158) - STEEL LEGREST
3	5207067-C01	-	FOOTREST 24, FIXED, LEFT, CPL. (L=158) - STEEL LEGREST
3	5290294-C01	-	FOOTREST 24, SHORT, FIXED, RIGHT, CPL. (L=108) - STEEL LEGREST
3	5290295-C01	-	FOOTREST 24, SHORT, FIXED, LEFT, CPL. (L=108) - STEEL LEGREST
4	5253164	-	FOOTREST 19, AA, RIGHT, CPL. (L=158) - STEEL LEGREST
4	5253167	-	FOOTREST 19, AA, LEFT, CPL. (L=158) - STEEL LEGREST
4	5253560	-	FOOTREST 19, SHORT, AA, RIGHT, CPL. (L=108) - STEEL LEGREST
4	5253563	-	FOOTREST 19, SHORT, AA, LEFT, CPL. (L=108) - STEEL LEGREST
5	5253165	-	FOOTREST 22, AA, RIGHT, CPL. (L=158) - STEEL LEGREST
5	5253168	-	FOOTREST 22, AA, LEFT, CPL. (L=158) - STEEL LEGREST
5	5253561	-	FOOTREST 22, SHORT, AA, RIGHT, CPL. (L=108) - STEEL LEGREST
5	5253564	-	FOOTREST 22, SHORT, AA, LEFT, CPL. (L=108) - STEEL LEGREST
6	5253166	-	FOOTREST 24, AA, RIGHT, CPL. (L=158) - STEEL LEGREST
6	5253169	-	FOOTREST 24, AA, LEFT, CPL. (L=158) - STEEL LEGREST
6	5253562	-	FOOTREST 24, SHORT, AA, RIGHT, CPL. (L=108) - STEEL LEGREST
6	5253565	-	FOOTREST 24, SHORT, AA, LEFT, CPL. (L=108) - STEEL LEGREST
7	5716296	-	PLUG Ø22X19.5, PLASTIC BLACK
8	5252047	-	FOOTPLATE 19 (STEEL LEGREST)
9	5252048	-	FOOTPLATE 22 (STEEL LEGREST)
10	5252049	-	FOOTPLATE 24 (STEEL LEGREST)



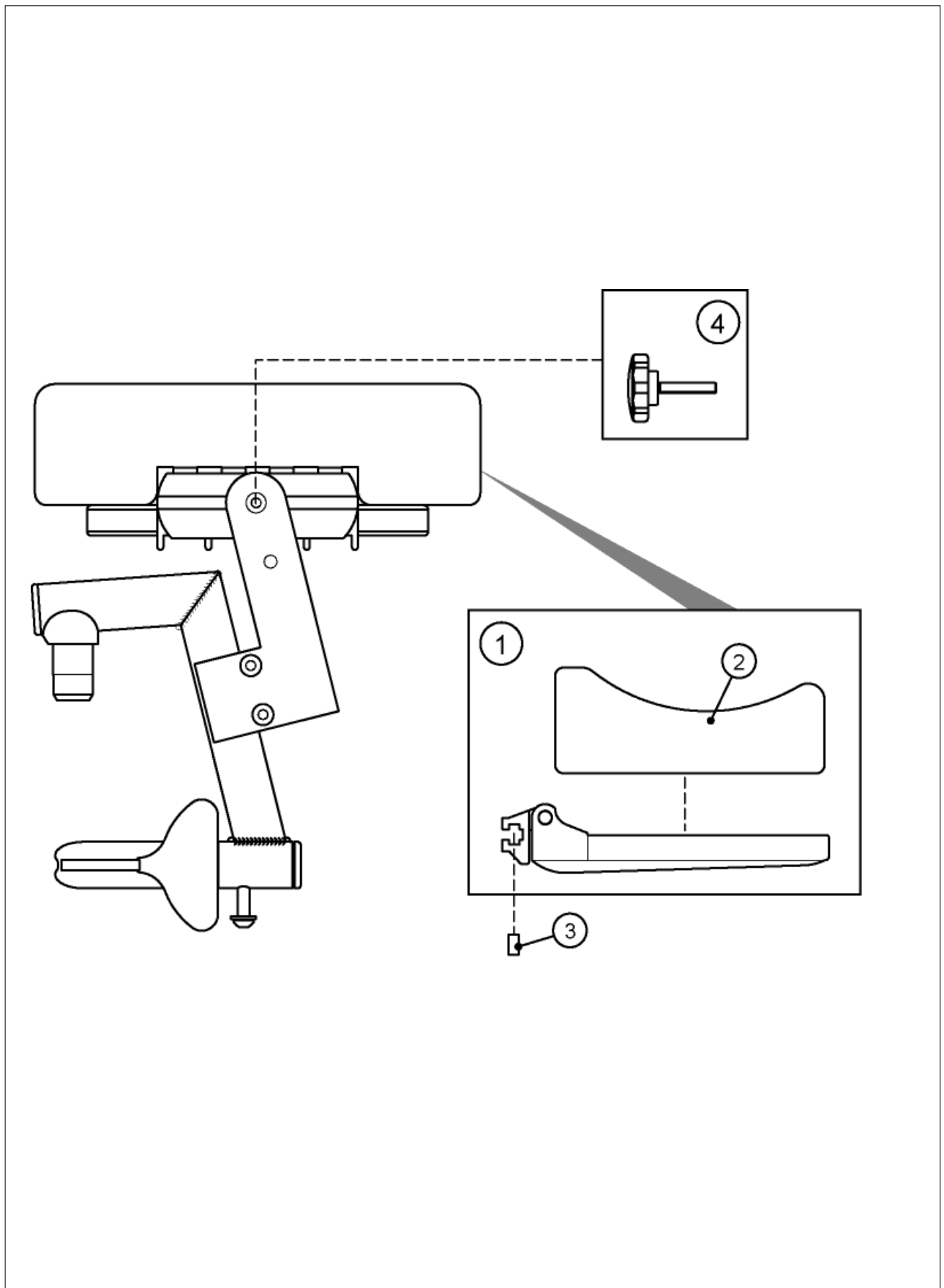


Pos.	Art.No.	Price	Description
	1424640	-	CENTER LEGREST CPL.
1	1424621	-	OVER PART,CENTER LEGREST
2	5724235	-	SCREW SK6SS M10X12
3	5254306	-	VELCRO LOOP BLACK
4	5254016	-	NUT LEGREST ATTACHMENT
5	1424620	-	ATTACHMENT OVER PART,CENTER LEGREST
6	5254302	-	SLEEVE LEGREST ATTACHMENT
7	5254073	-	SCREW MC6S M6X240 DIN912
8	1427097	-	CALFPAD PLATE CPL.
9	1424545	-	CALFPAD CUSION,CENTER LEGREST
10	1424631	-	LINK ATTACHMENT CALFPAD,CENTER LEGREST
11	5723124	-	SCREW M5X10
12	5716499	-	O-RING 9,3X2,4 EPDM 70'
13	1427096	-	DISTANCE SLEEVE CALFPAD
14	5723118	-	SCREW MF6S M6X14
15	1424628	-	HANDWHEEL,CENTER LEGREST
16	5729091	-	WASHER 6,4X12,5X1,5
17	1424627	-	DISTANCE 125MM,PLASTIC
18	5220008	-	WASHER
19	1424626	-	DISTANCE 62MM,PLASTIC
20	1429153	-	NUT HANDWHEEL,CL
21	1424557	-	GUIDING PART CPL
22	5723312	-	SCREW MC6S M6X45 A2
23	1427098	-	FOOT SUPPORT PROFILE CPL.
24	1424542	-	FOOT PLATE RIGHT,CENTER FOOTREST
25	1424543	-	FOOT PLATE LEFT,CENTER FOOTREST
26	5106080	-	LOCKING DISC,ANGULAR ADJ.
27	5104883	-	LOCKING DISC,ANGULAR ADJ.,ROUNDED
28	1427099	-	SCREW M6X35 12.9
29	1424635	-	SWEEP FOOT SUPPORT,CENTER LEGREST
30	1424636	-	LINK,ATTACHMENT,FOOT PLATE
31	5104571	-	SLEEVE 16"KIT,SPIREA
32	1427100	-	DISTANCE 18X10X6.5
33	5723144	-	SCREW MC6S M6X30 A2,SPIREA
34	1427099	-	SCREW M6X35 12.9
35	5729091	-	WASHER 6,4X12,5X1,5
36	5108774	-	LOCK WASHER 7,2X12,8X0,25
37	5726051	-	NUT LOC-KING M6



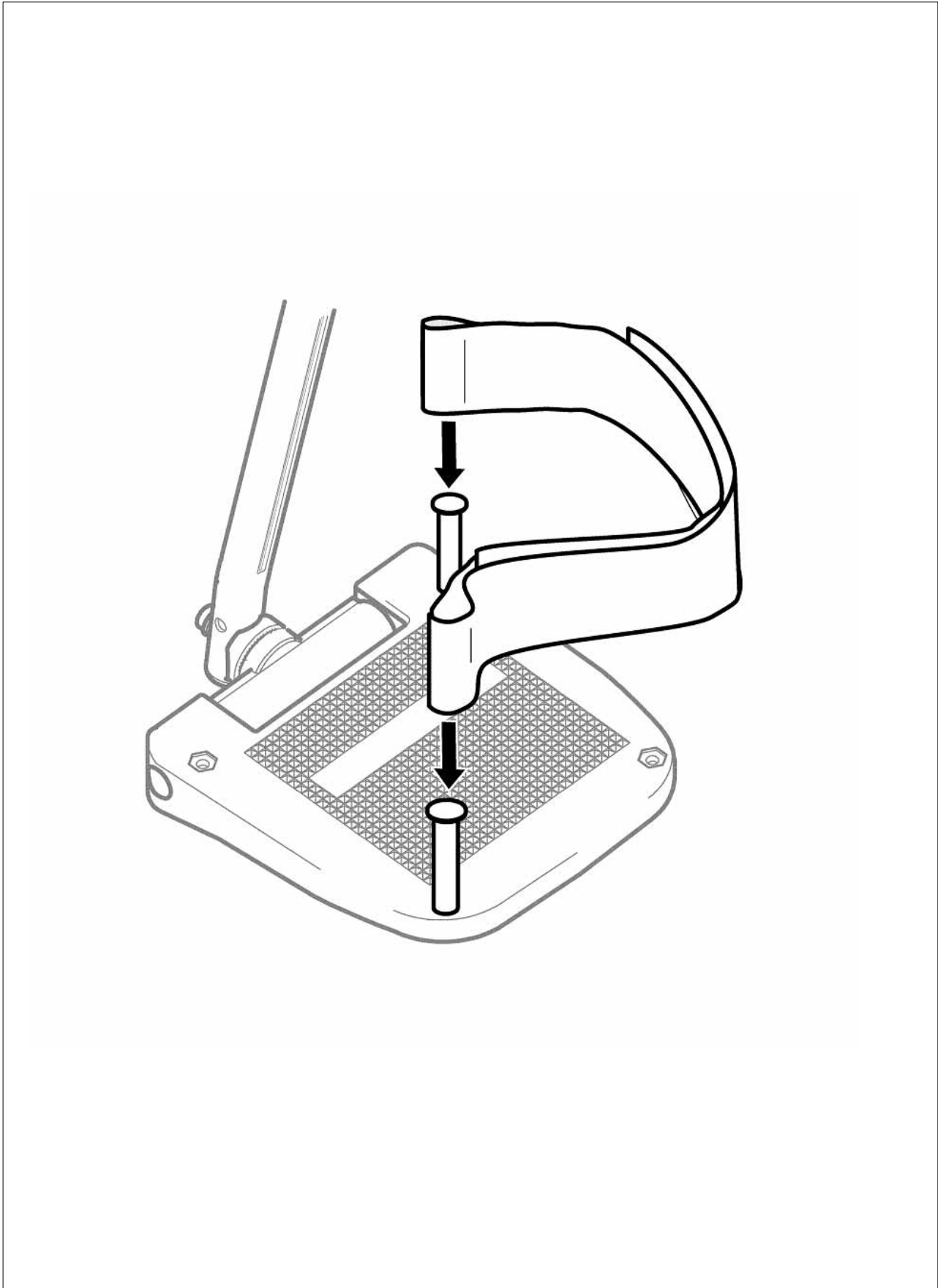


Pos.	Art.No.	Price	Description
	1445826	-	LEGREST,AMPUTEE,11 CPL.,RIGHT
	1445827	-	LEGREST,AMPUTEE,11 CPL.,LEFT
	1445828	-	LEGREST,AMPUTEE,14-17 CPL.,LEFT
	1445829	-	LEGREST,AMPUTEE,14-17 CPL.,RIGHT
1	1445832	-	CUSHION,AMPUTEE LEGREST,LITTLE (11) CPL,DARTEX BLACK
1	1445833	-	CUSHION,AMPUTEE LEGREST,BIG (14-17) CPL,DARTEX BLACK





Pos.	Art.No.	Price	Description
	5104127-C9005	-	AMPUTATION LEGREST 14 R
	5104128-C9005	-	AMPUTATION LEGREST 14 L
	5104399-C9005	-	AMPUTATION LEGREST 11 R
	5104400-C9005	-	AMPUTATION LEGREST 11 L
	5104402-C9005	-	AMPUTATION LEGREST 17 R
	5104403-C9005	-	AMPUTATION LEGREST 17 L
1	5104667	-	CUSHION CPL AMPUTEE.LEGREST 11
1	5104668	-	CUSHION CPL AMPUTEE.LEGREST 14-17
2	5104074	-	CUSHION,AMPUTEE LEGREST,LITTLE (11) CPL,JEMIMA
2	5104075	-	CUSHION,AMPUTEE LEGREST,BIG (14-17) CPL,JEMIMA
3	5104057	-	THREADED PLATE AMPUTEE.LEGREST
4	5724194	-	HANDWHEEL M6X35 BLACK



Spare Part

Heel strap



Pos.	Art.No.	Price	Description
	5321579	-	HEEL LOOP 40-50 PAIR

2005-04-21

Rea Assist

R5106433

Spare Part

Calf strap, Alu2003 legrest



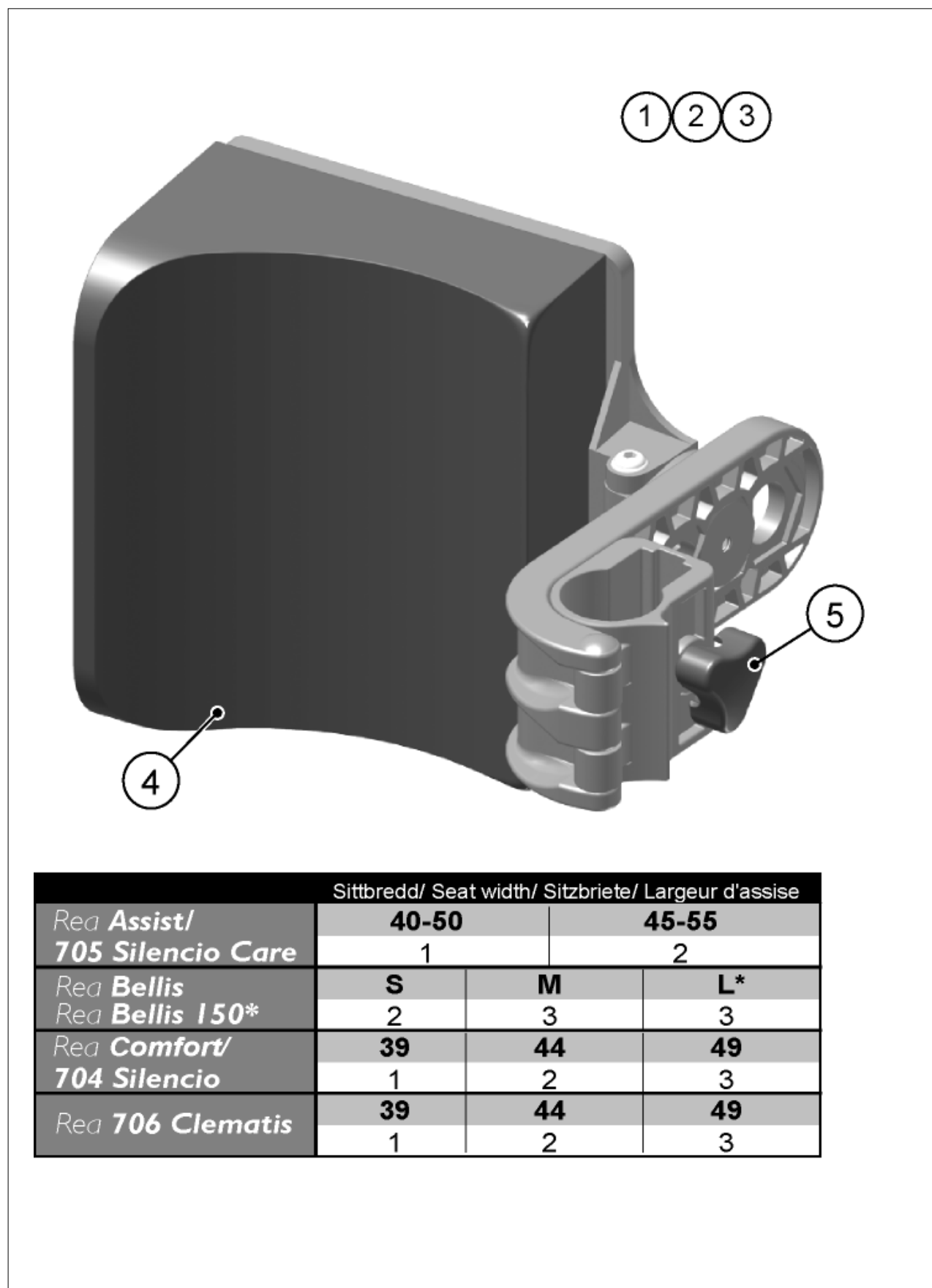
2005-04-21

Rea Assist

R1429214



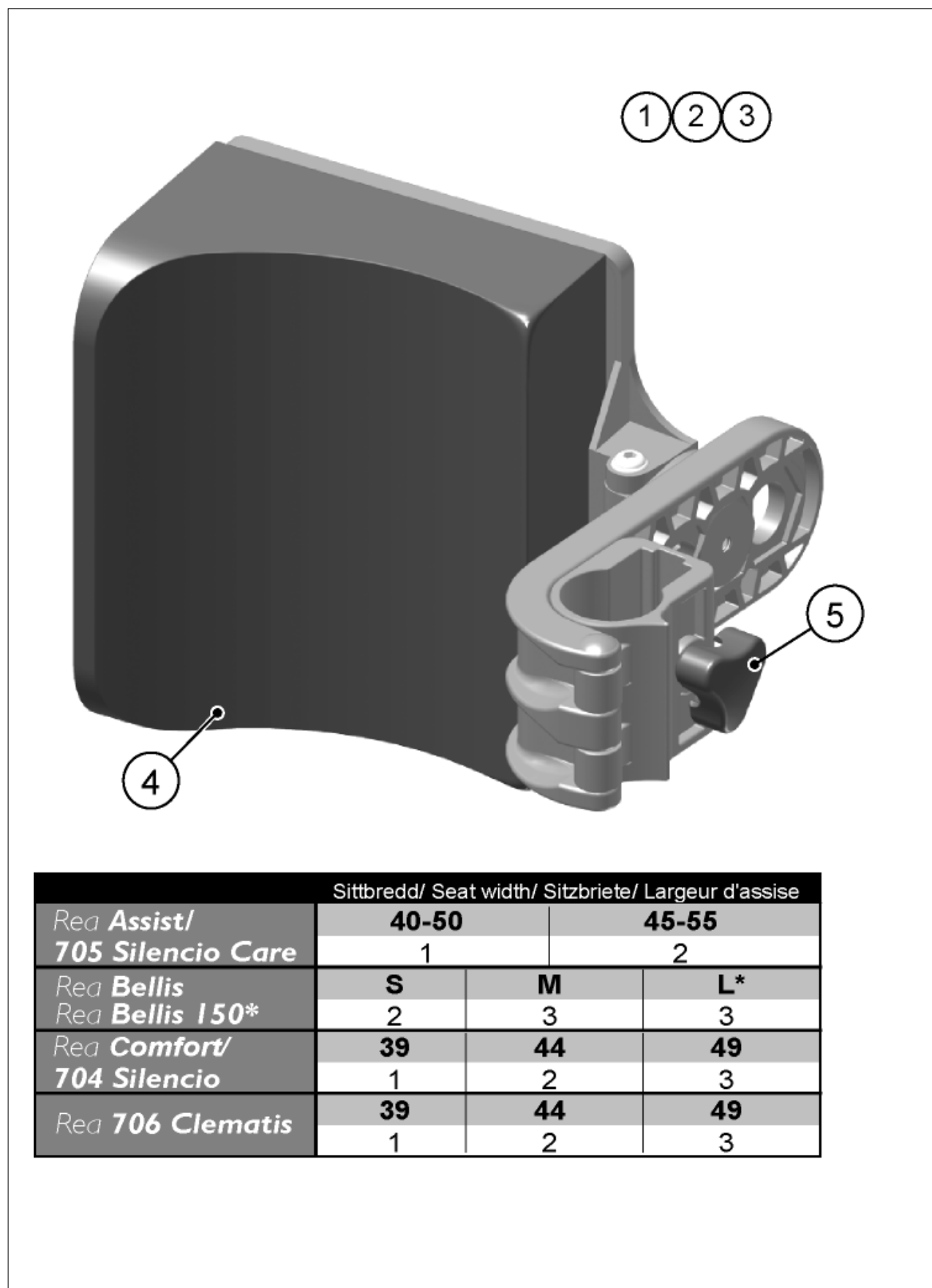
Pos.	Art.No.	Price	Description
	1429214	-	CALFSTRAP,ALU2003 HANGER



	Sittbredd/ Seat width/ Sitzbreite/ Largeur d'assise		
	40-50		45-55
<i>Rea Assist/</i> 705 Silencio Care	1		2
<i>Rea Bellis</i> <i>Rea Bellis 150*</i>	S	M	L*
<i>Rea Comfort/</i> 704 Silencio	39	44	49
<i>Rea 706 Clematis</i>	39	44	49
	1	2	3



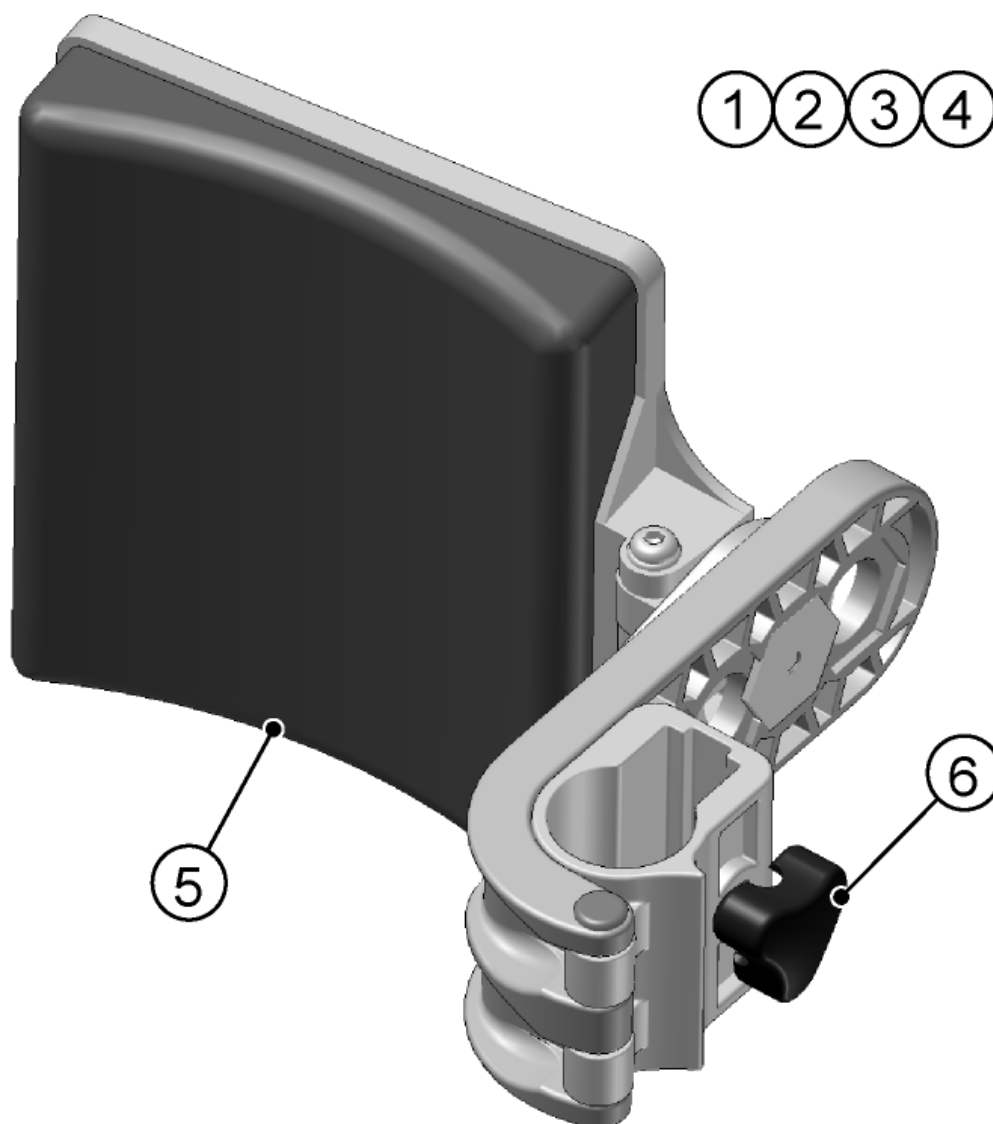
Pos.	Art.No.	Price	Description
1	1445766	-	CALFSUPPORT 16 CPL,ALU 2003,DARTEX BLACK
2	1445767	-	CALFSUPPORT 19 CPL,ALU 2003,DARTEX BLACK
3	1445768	-	CALFSUPPORT 22 CPL,ALU 2003,DARTEX BLACK
4	1445763	-	PAD,CALFSUPPORT 16,DARTEX BLACK
4	1445764	-	PAD,CALFSUPPORT 19,DARTEX BLACK
4	1445765	-	PAD,CALFSUPPORT 22,DARTEX BLACK
5	1429215	-	HANDWHEEL



	Sittbredd/ Seat width/ Sitzbreite/ Largeur d'assise		
	40-50	45-55	
<i>Rea Assist/</i> 705 Silencio Care	1	2	
<i>Rea Bellis</i> <i>Rea Bellis 150*</i>	S 2	M 3	L* 3
<i>Rea Comfort/</i> 704 Silencio	39 1	44 2	49 3
<i>Rea 706 Clematis</i>	39 1	44 2	49 3



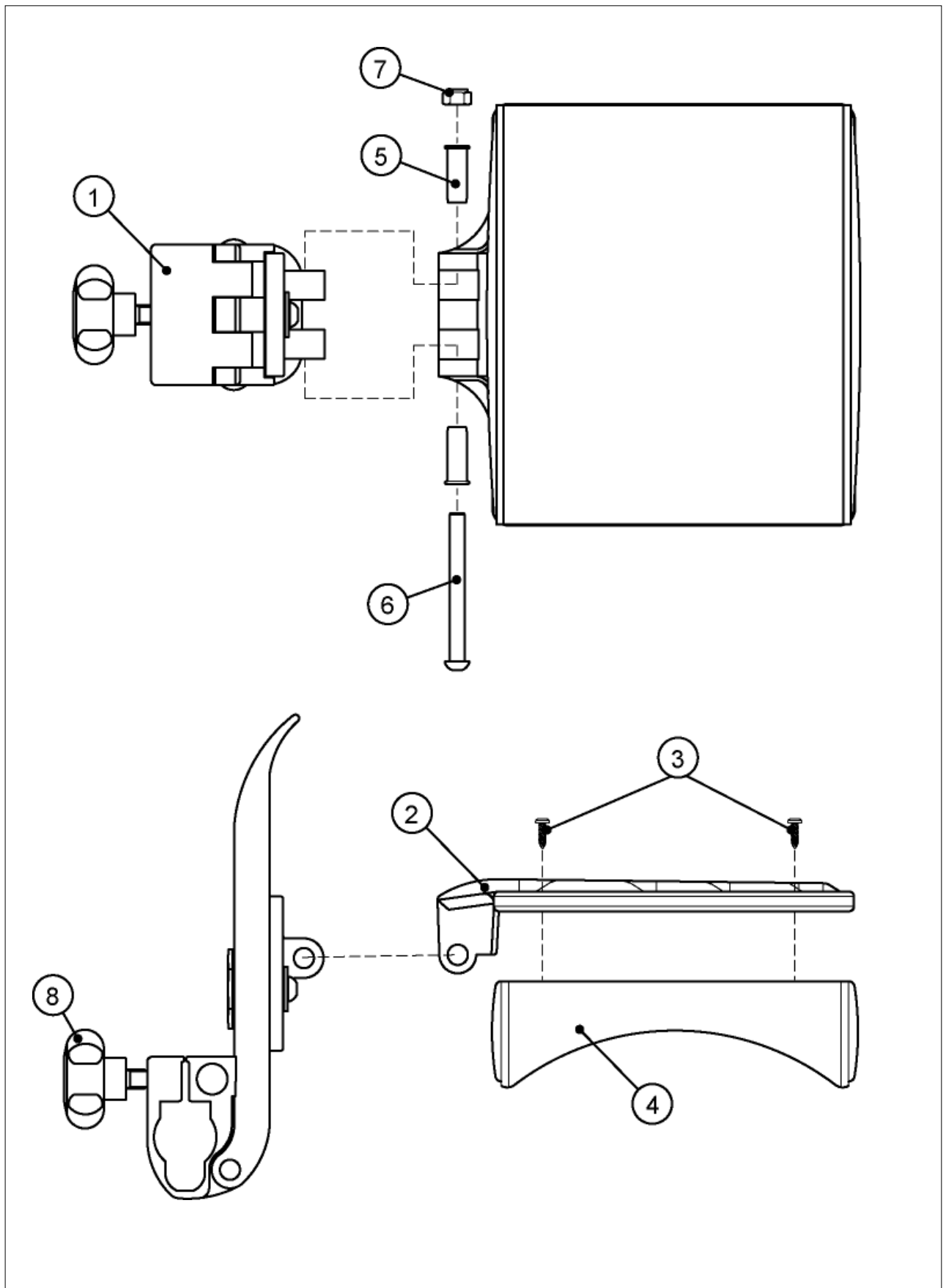
Pos.	Art.No.	Price	Description
1	1439992	-	CALFSUPPORT 16 CPL,ALU 2003
2	1439993	-	CALFSUPPORT 19 CPL,ALU 2003
3	1439994	-	CALFSUPPORT 22 CPL,ALU 2003
4	1439938	-	CALFSUPPORT PAD 16
4	1439939	-	CALFSUPPORT PAD 19
4	1439940	-	CALFSUPPORT PAD 22
5	1429215	-	HANDWHEEL



		Sittbredd/ Seat width/ Sitzbreite/ Largeur d'assise				
Rea Assist/ 705 Silencio Care	(-2004.06.01)	40-50		45-55		
		2		3		
Rea Bellis	(-2004.06.01)	S	M		L	
		2	3	4		
Rea Comfort/ 704 Silencio	(-2004.06.01)	39		44		49
		1	2	3		
Rea Focus Rea Focus 150*		38		43		48/53*
		1	2	3		
Rea Spirea²		38	40,5	43	45,5	50,5
		1	2	2	3	3



Pos.	Art.No.	Price	Description
1	1431355	-	CALF SUPPORT 38 KPL.,LEGREST ALU2003
2	1431356	-	CALF SUPPORT 16 KPL.,LEGREST ALU2003
3	1431357	-	CALF SUPPORT 19 KPL.,LEGREST ALU2003
4	1431358	-	CALF SUPPORT 22 CPL.,LEGREST ALU2003
5	5104185	-	CALF PAD 16CM COATED FAB
5	5104186	-	CALF PAD 19CM COATED FAB
5	5104187	-	CALF PAD 22CM COATED FAB
5	5104670	-	CALF PAD 38 CPL.,JEMIMA
6	1429215	-	HANDWHEEL





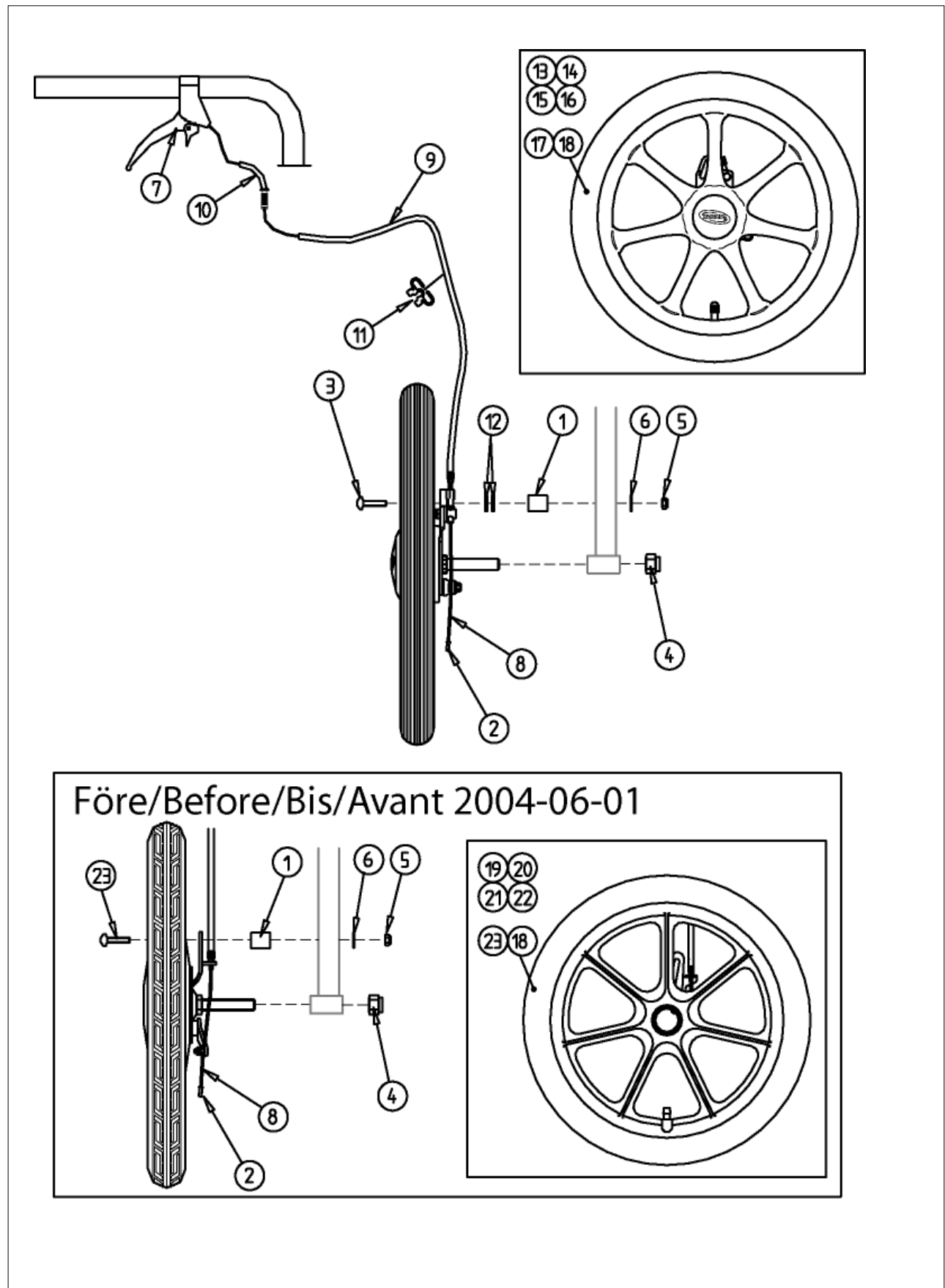
Pos.	Art.No.	Price	Description
	5104167	-	CALF-PAD CPL 41-43
	5104168	-	CALF-PAD CPL 46,SPIR/ADA
	5104398	-	CALF-PAD CPL 50,SPIR/ADA
1	5104216	-	CALF PAD LINK,SPIREA
2	5220673	-	CALFPLATE 16 BLACK
2	5220674	-	CALFPLATE 19 BLACK
2	5220675	-	CALFPLATE 22 BLACK
3	5724112	-	SCREW K6S M6X14 A2
4	5104185	-	CALF PAD 16CM COATED FAB
4	5104186	-	CALF PAD 19CM COATED FAB
4	5104187	-	CALF PAD 22CM COATED FAB
5	5738638	-	SLEEVE RRN 8X0,75X22
6	5724107	-	SCREW K6S M6X60
7	5726051	-	NUT LOC-KING M6
8	5724195	-	HANDWHEEL WN730T



Chapter 6

Wheel 16"

Page 6:1





Pos.	Art.No.	Price	Description
	5254125	-	WHEELS 16" DB PNE PAIR,ASSIST
	5254126	-	WHEELS 16" DB SS PAIR,ASSIST
1	5716474	-	PLASTIC DISTANCE 15X6X10 BLACK
2	5735233	-	PROTECTION TUBE
3	1440028	-	SCREW MVBF M6X55 FZB
4	5726046	-	NUT M12 FZB,LOC-KING,DIN 985
5	5726051	-	NUT LOC-KING M6
6	5729091	-	WASHER 6,4X12,5X1,5
7	5735256	-	BRAKE HANDLE SACCON
8	5735257	-	WIRE L=1340,AFTER 00-06
9	5735238	-	WIRE CASE L=1120
10	5735229	-	WIRE ADJUSTMENT,UPPER
11	5254034	-	WIRE HOLDER,COMFORT/ASSI
12	5729089	-	WASHER 8,4X17X1,6
13	1434825	-	WHEEL 16" PNEU.,DB,LEFT. MBL
14	1434826	-	WHEEL 16" PNEU.,DB,RIGHT. MBL
15	1434827	-	WHEEL 16" SOLID,DB,LEFT. MBL
16	1434828	-	WHEEL 16" SOLID,DB,RIGHT. MBL
17	1440029	-	TYRE 16"X1,75 PNEU MBL
18	5750778	-	TUBE 16 X 1,75
19	5750722	-	WHEEL 16",PNEUMATIC,BRAKE,LEFT
20	5750723	-	WHEEL 16",PNEUMATIC,BRAKE,RIGHT
21	5750724	-	WHEEL 16",SOLID,BRAKE,LEFT
22	5750725	-	WHEEL 16",SOLID,BRAKE,RIGHT
23	5724220	-	SCREW MVBF M6X45 ZN.PL
24	5750777	-	TYRE 16 X 1,75 PNE.

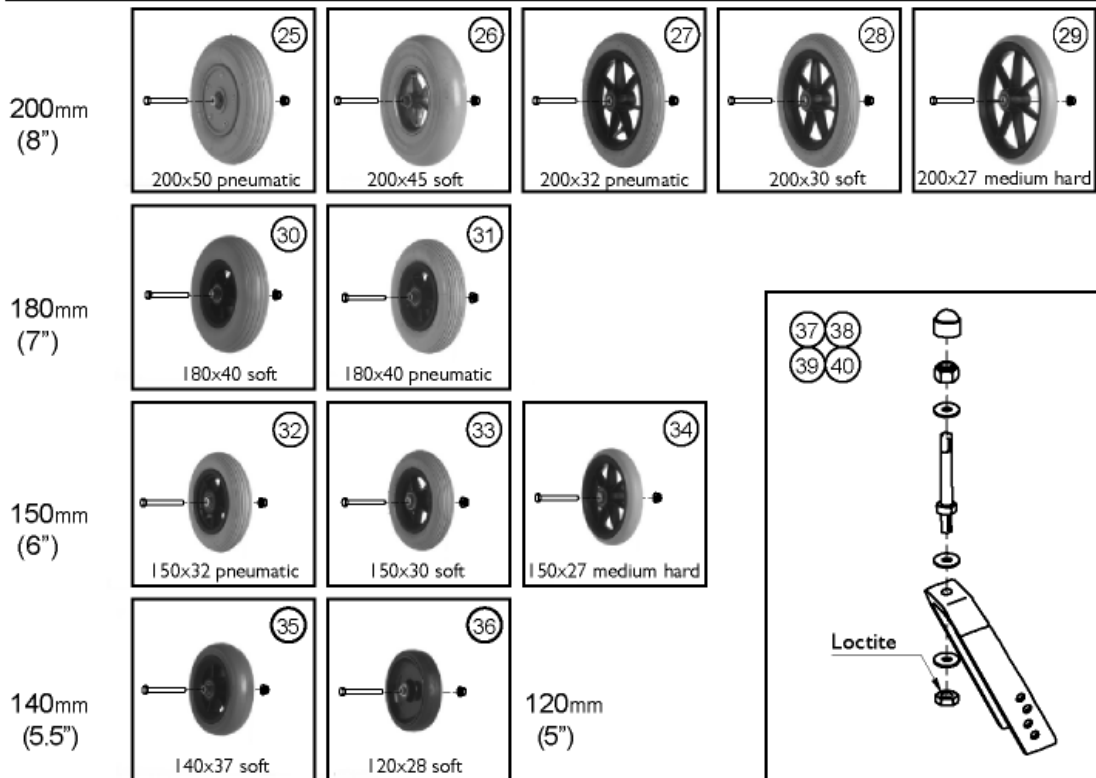


Chapter 7

Castor wheels, fixed
Castor wheels, QR

Page 7:1
Page 7:3

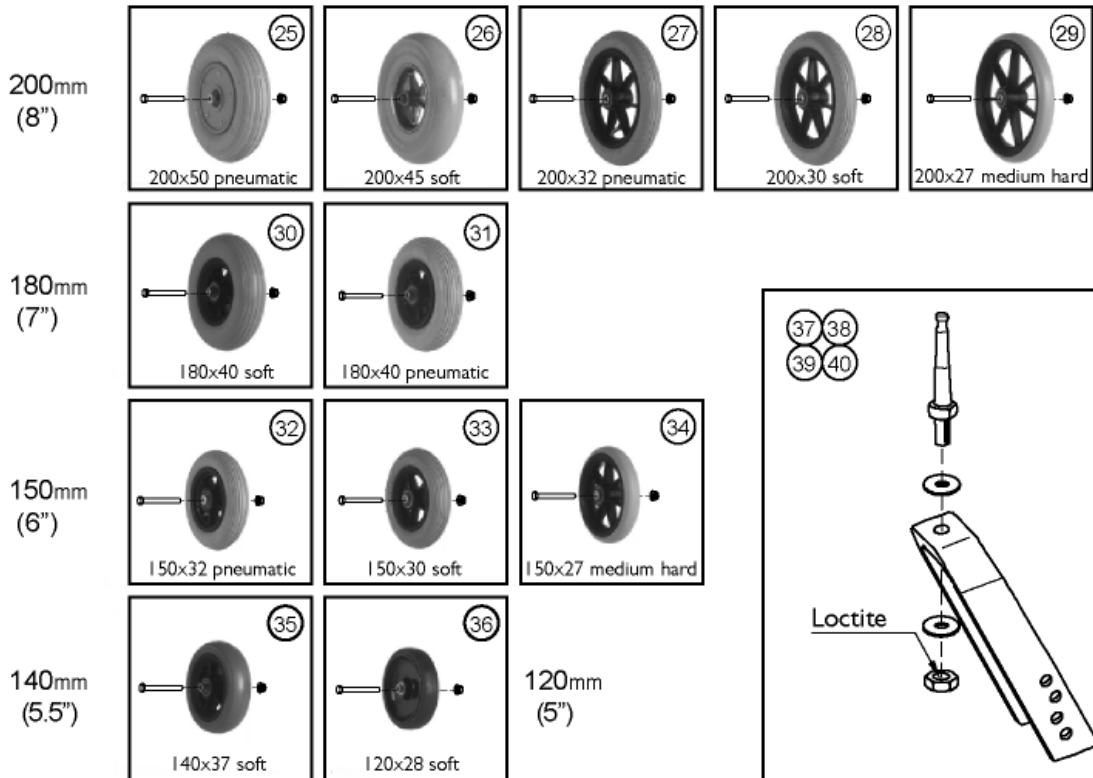
Fast/Fixed/ Fest/Fixe					
		110x40 (HxB)	150x40 (HxB)	110x60 (HxB)	150x60 (HxB)
25	200x50 P			1	2
26	200x45 S			3	4
27	200x32 P	5	6		
28	200x30 S	7	8		
29	200x27 MH	9	10		
30	180x40 S			11	12
31	180x40 P			13	14
32	150x32 P	15	16		
33	150x30 S	17	18		
34	150x27 MH	19	20		
35	140x37 S			21	22
36	120x28 S	23	24		





Pos.	Art.No.	Price	Description
1	5322145	-	CASTOR,200X50 PNEUMATIC,110/60 FIXED,CPL.
2	5322149	-	CASTOR,200X50 PNEUMATIC,150/60 FIXED,CPL.
3	5322143	-	CASTOR,200X45 SOFT,110/60 FIXED,CPL.
4	5322147	-	CASTOR,200X45 SOFT,150/60 FIXED,CPL.
5	5104188	-	CASTOR,200X32 PNEUMATIC,110/40 FIXED,CPL.
6	5750889	-	CASTOR,200X32 PNEUMATIC,150/40 FIXED,CPL.
7	5750802	-	CASTOR,200X30 SOFT,110/40 FIXED,CPL.
8	5750804	-	CASTOR,200X30 SOFT,150/40 FIXED,CPL.
9	5320717	-	CASTOR,200X27 MEDIUM HARD,110/40 FIXED,CPL.
10	5320729	-	CASTOR,200X27 MH,150/40 FIXED,CPL.
11	5750784	-	CASTOR,180X40 SOFT,110/60 FIXED,CPL.
12	5750786	-	CASTOR,180X40 SOFT,150/60 FIXED,CPL.
13	5750789	-	CASTOR,180X40 PNEUMATIC,110/60 FIXED,CPL.
14	5750791	-	CASTOR,180X40 PNEUMATIC,150/60 FIXED,CPL.
15	5321778	-	CASTOR,150X32 PNEUMATIC,110/40 FIXED,CPL.
16	5321782	-	CASTOR,150X32 PNEUMATIC,150/40 FIXED,CPL.
17	5750808	-	CASTOR,150X30 SOFT,110/40 FIXED,CPL.
18	5750810	-	CASTOR,150X30 SOFT,150/40 FIXED,CPL.
19	5321788	-	CASTOR,150X27 MEDIUM HARD,110/40 FIXED,CPL.
20	5321792	-	CASTOR,150X27 MEDIUM HARD,150/40 FIXED,CPL.
21	5322135	-	CASTOR,140X37 SOFT,110/60 FIXED,CPL.
22	5322136	-	CASTOR,140X37 SOFT,150/60 FIXED,CPL.
23	5320710	-	CASTOR,120X28 SOFT,110/40 FIXED,CPL.
24	5322102	-	CASTOR,120X28 SOFT,110/40 QR,CPL.
25	5750704	-	WHEEL 200X50 (8") PNEUMATIC+AXLE CPL.
26	5750703	-	WHEEL 200X45 (8") SOFT+AXLE CPL.
27	5320680	-	WHEEL 200X32 (8") PNEUMATIC+AXLE CPL.
28	5750801	-	WHEEL 200X30 (8") SOFT+AXLE CPL.
29	5320679	-	WHEEL 200X27 (8") MEDIUM HARD+AXLE CPL.
30	5750783	-	WHEEL 180X40 (7") SOFT+AXLE CPL.
31	5750788	-	WHEEL 180X40 (7") PNEUMATIC+AXLE CPL.
32	5738597	-	WHEEL 150X32 (6") PNEUMATIC+AXLE CPL.
33	5750807	-	WHEEL 150X30 (6") SOFT+AXLE CPL.
34	5738639	-	WHEEL 150X27 (6") MEDIUM HARD+AXLE CPL.
35	5207454	-	WHEEL 140X37 (5.5") SOFT+AXLE CPL.
36	5320677	-	WHEEL 120X28 (5") SOFT+AXLE CPL.
37	5320666	-	FORK 110 FIXED,NARROW,CPL
38	5320674	-	FORK 150 FIXED,NARROW,CPL
39	5322139	-	FORK 110 FIXED,WIDE,CPL
40	5322140	-	FORK 150 FIXED,WIDE,CPL

Snabbkoppling/ Quick release/ Schnellkuppelnd/ Démontage rapide		37		38		39		40	
		110x40 (HxB)		150x40 (HxB)		110x60 (HxB)		150x60 (HxB)	
25	200x50 P					1		2	
26	200x45 S					3		4	
27	200x32 P	5		6					
28	200x30 S	7		8					
29	200x27 MH	9		10					
30	180x40 S					11		12	
31	180x40 P					13		14	
32	150x32 P	15		16					
33	150x30 S	17		18					
34	150x27 MH	19		20					
35	140x37 S					21		22	
36	120x28 S	23		24					

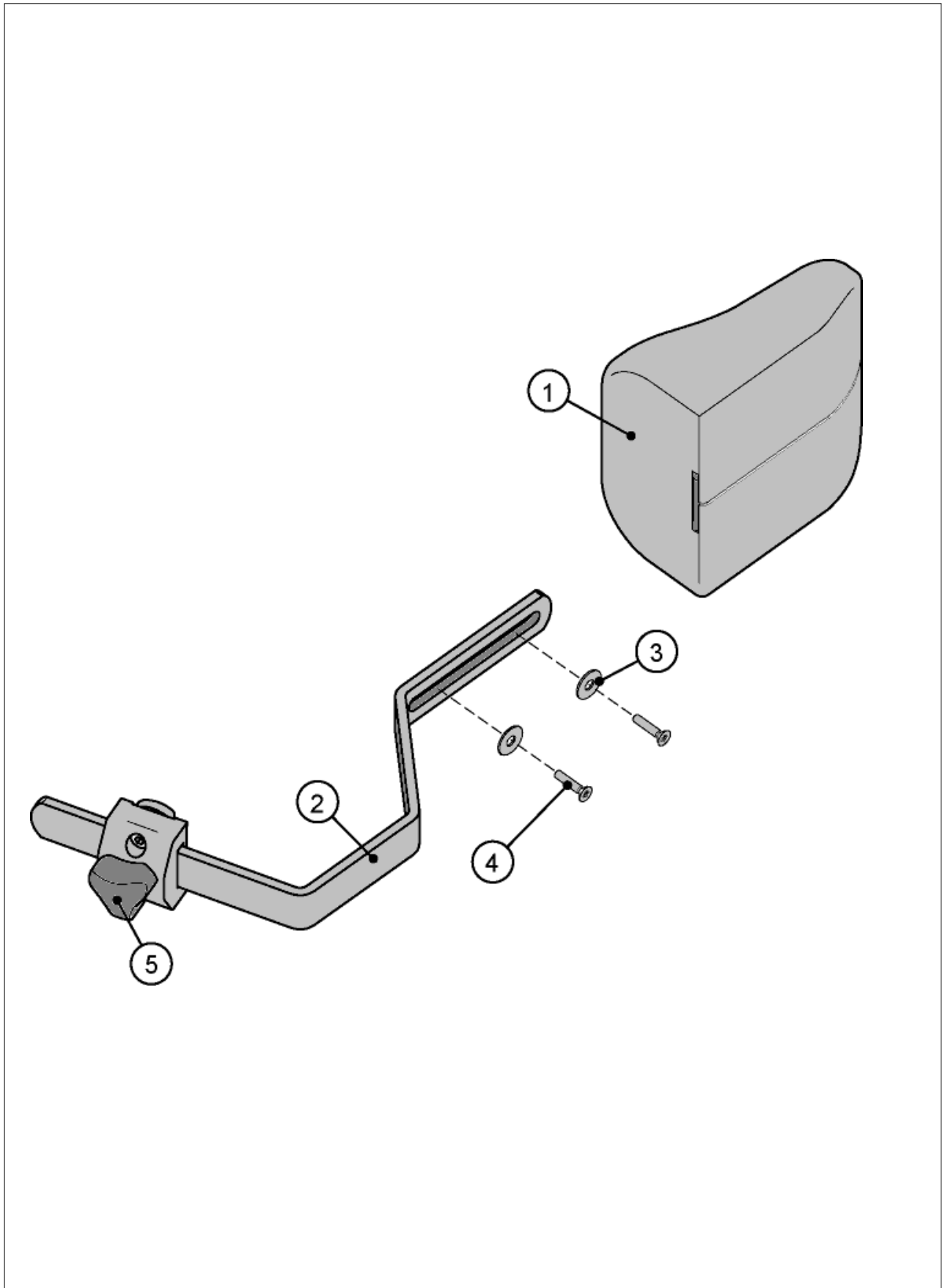




Pos.	Art.No.	Price	Description
1	5322146	-	CASTOR,200X50 PNEUMATIC,110/60 QR,CPL.
2	5322150	-	CASTOR,200X50 PNEUMATIC,150/60 QR,CPL.
3	5322144	-	CASTOR,200X45 SOFT,110/60 QR,CPL.
4	5322148	-	CASTOR,200X45 SOFT,150/60 QR,CPL.
5	5322111	-	CASTOR,200X32 PNEUMATIC,110/40 QR,CPL.
5	5322111	-	CASTOR,200X32 PNEUMATIC,110/40 QR,CPL.
5	5322111	-	CASTOR,200X32 PNEUMATIC,110/40 QR,CPL.
5	5322111	-	CASTOR,200X32 PNEUMATIC,110/40 QR,CPL.
6	5322113	-	CASTOR,200X32 PNEUMATIC,150/40 QR,CPL.
7	5750803	-	CASTOR,200X30 SOFT,110/40 QR,CPL.
8	5750805	-	CASTOR,200X30 SOFT,150/40 QR,CPL.
9	5322112	-	CASTOR,200X27 MH,110/40 QR,CPL.
10	5322114	-	CASTOR,200X27 MH,150/40 QR,CPL.
11	5750785	-	CASTOR,180X40 SOFT,110/60 QR,CPL.
12	5750787	-	CASTOR,180X40 SOFT,150/60 QR,CPL.
13	5750790	-	CASTOR,180X40 PNEUMATIC,110/60 QR,CPL.
14	5750792	-	CASTOR,180X40 PNEUMATIC,150/60 QR,CPL.
15	5322106	-	CASTOR,150X32 PNEUMATIC,110/40 QR,CPL.
16	5322108	-	CASTOR,150X32 PNEUMATIC,150/40 QR,CPL.
17	5750809	-	CASTOR,150X30 SOFT,110/40 QR,CPL.
18	5750811	-	CASTOR,150X30 SOFT,150/40 QR,CPL.
19	5322107	-	CASTOR,150X27 MEDIUM HARD,110/40 QR,CPL.
20	5322109	-	CASTOR,150X27 MEDIUM HARD,150/40 QR,CPL.
21	5322137	-	CASTOR,140X37 SOFT,110/60 QR,CPL.
22	5322138	-	CASTOR,140X37 SOFT,150/60 QR,CPL.
23	5320727	-	CASTOR,120X28 SOFT,150/40 FIXED,CPL.
24	5322104	-	CASTOR,120X28 SOFT,150/40 QR,CPL.
25	5750704	-	WHEEL 200X50 (8") PNEUMATIC+AXLE CPL.
26	5750703	-	WHEEL 200X45 (8") SOFT+AXLE CPL.
27	5320680	-	WHEEL 200X32 (8") PNEUMATIC+AXLE CPL.
28	5750801	-	WHEEL 200X30 (8") SOFT+AXLE CPL.
29	5320679	-	WHEEL 200X27 (8") MEDIUM HARD+AXLE CPL.
30	5750783	-	WHEEL 180X40 (7") SOFT+AXLE CPL.
31	5750788	-	WHEEL 180X40 (7") PNEUMATIC+AXLE CPL.
32	5738597	-	WHEEL 150X32 (6") PNEUMATIC+AXLE CPL.
33	5750807	-	WHEEL 150X30 (6") SOFT+AXLE CPL.
34	5738639	-	WHEEL 150X27 (6") MEDIUM HARD+AXLE CPL.
35	5207454	-	WHEEL 140X37 (5.5") SOFT+AXLE CPL.
36	5320677	-	WHEEL 120X28 (5") SOFT+AXLE CPL.
36	5320677	-	WHEEL 120X28 (5") SOFT+AXLE CPL.
37	5322132	-	FORK 110 QR,NARROW,CPL
38	5322134	-	FORK 150 QR,NARROW,CPL
39	5322141	-	FORK 110 QR,WIDE,CPL
40	5322142	-	FORK 150 QR,WIDE,CPL

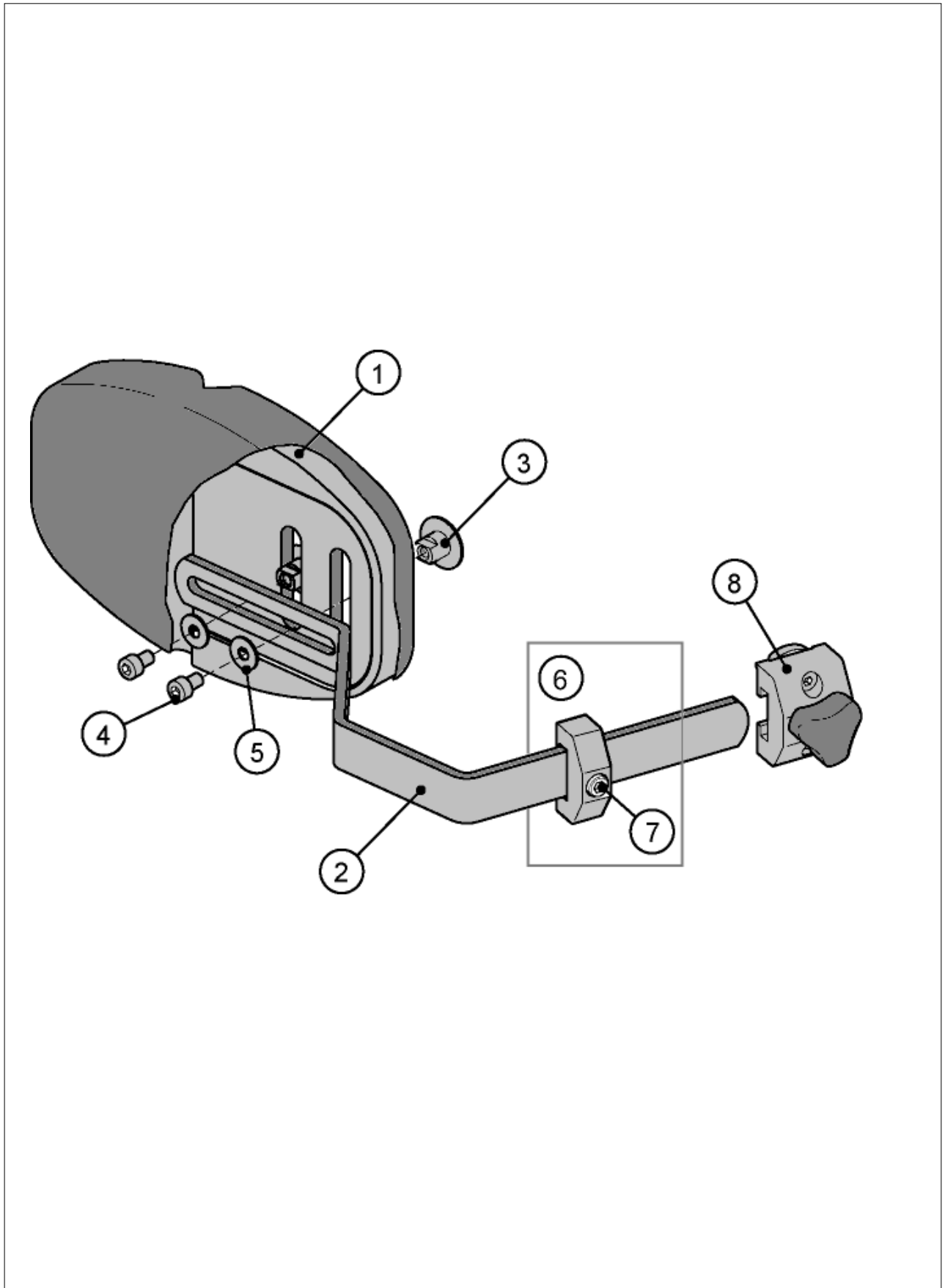
Chapter 8

Trunk support	Page 8:1
Trunk support, adj.	Page 8:3
Trunk support "swingaway"	Page 8:5
Trunk support (to 2005)	Page 8:7
Pommel	Page 8:9
Table tray	Page 8:11
Assembly set for table tray	Page 8:13
Headrest	Page 8:15
Headrest (to 2005)	Page 8:17
Neckrest	Page 8:19
Neckrest (to 2005)	Page 8:21
Neck-/headrest (to 2001)	Page 8:23
Cheek support	Page 8:25
Push bar	Page 8:27
Push handles, braced	Page 8:29
Pelvic belt	Page 8:31
Crutch holder	Page 8:33
Incontinents cover	Page 8:35
Pump	Page 8:37
Reflector	Page 8:39



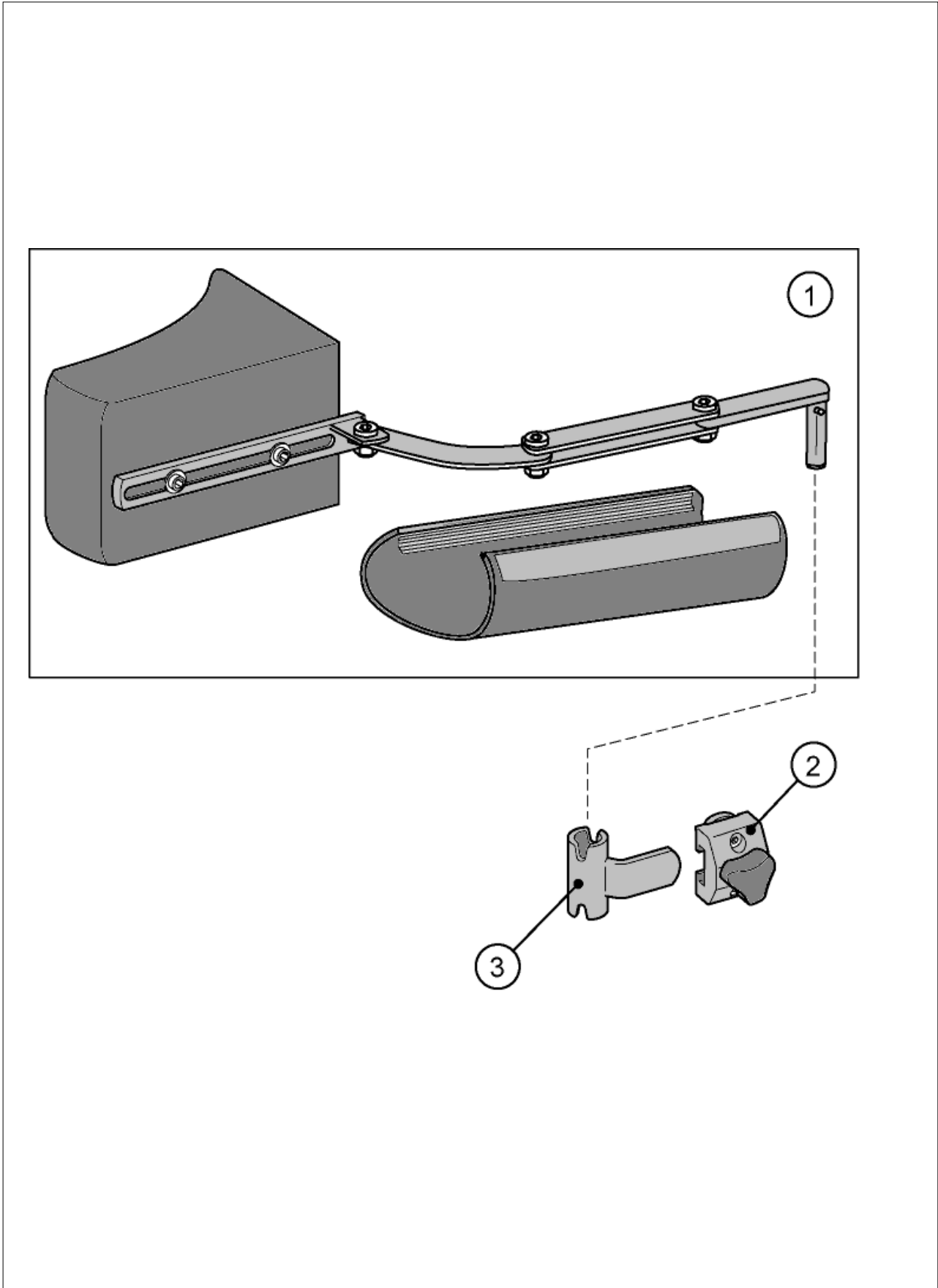


Pos.	Art.No.	Price	Description
	1445798	-	TRUNK SUPPORT 13, FIXED, CPL
1	5252257-TR26	-	CUSHION 13, TRUNK SUPPORT
2	1444193	-	ARM, TRUNK SUPPORT, FIXED
3	5729090	-	WASHER NB STEEL 6,0X16X1
4	5724229	-	SCREW MFX H M4X20
5	5253170	-	ATTACHMENT, TRUNK SUPPORT CPL.



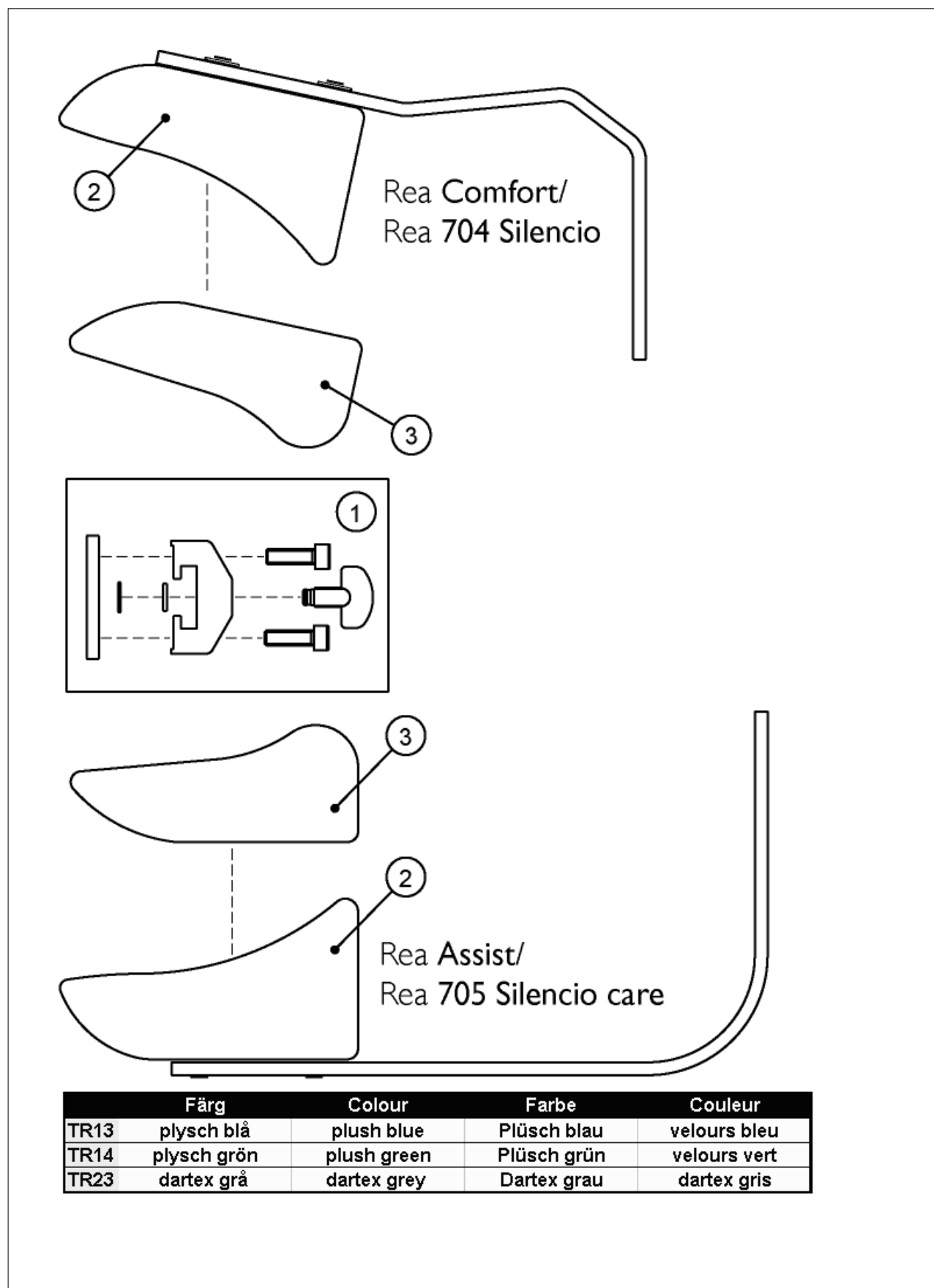


Pos.	Art.No.	Price	Description
	1448692	-	TRUNK SUPPORT,ADJ.(ATTACHMENT INCL.),LEFT,CPL.,DARTEX BLACK
	1448693	-	TRUNK SUPPORT,ADJ.(ATTACHMENT INCL.),RIGHT,CPL.,DARTEX BLACK
1	1444205	-	CUSHION,TRUNK SUPPORT,LEFT,DARTEX BLACK
1	1444206	-	CUSHION,TRUNK SUPPORT,RIGHT,DARTEX BLACK
2	1444193	-	ARM,TRUNK SUPPORT,FIXED
3	1444192	-	NUT,ATTACHMENT,TRUNK SUPPORT PAD
4	5723007	-	DIN 912
5	5729090	-	WASHER NB STEEL 6,0X16X1
6	1444204	-	STOP,TRUNK SUPPORT
7	5723007	-	DIN 912
8	5253170	-	ATTACHMENT,TRUNK SUPPORT CPL.



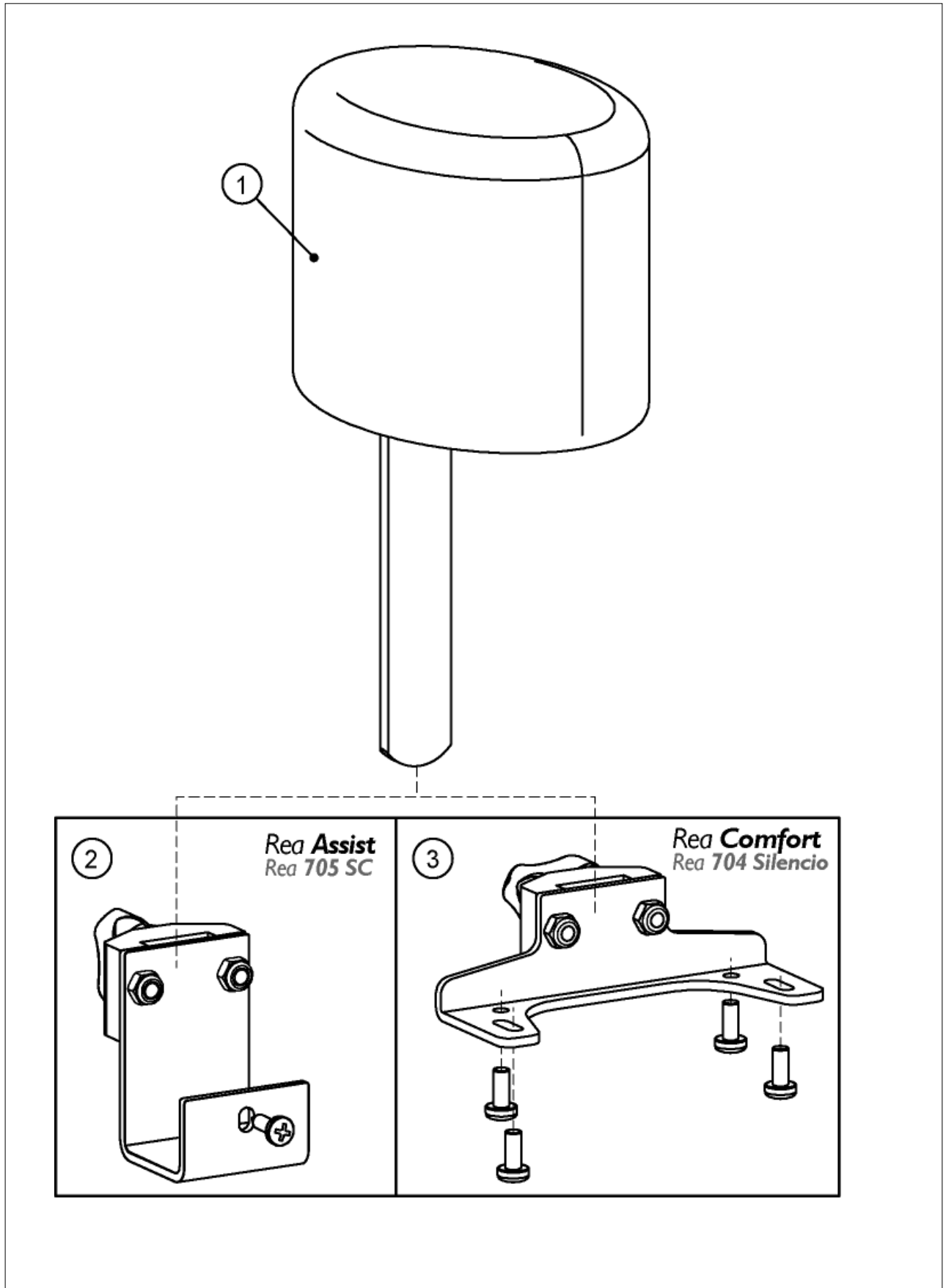


Pos.	Art.No.	Price	Description
	1448697	-	TRUNK SUPPORT CPL.(ATTACHMENT INCL.),LEFT,DARTEX BLACK
	1448698	-	TRUNK SUPPORT CPL.(ATTACHMENT INCL.),RIGHT,DARTEX BLACK
1	1451821	-	TRUNK SUPPORT,DARTEX BLACK
1	1451822	-	TRUNK SUPPORT,DARTEX BLACK
2	5253170	-	ATTACHMENT,TRUNK SUPPORT CPL.
3	1444191	-	ATTACHMENT,TRUNK SUPPORT "SWINGAWAY"



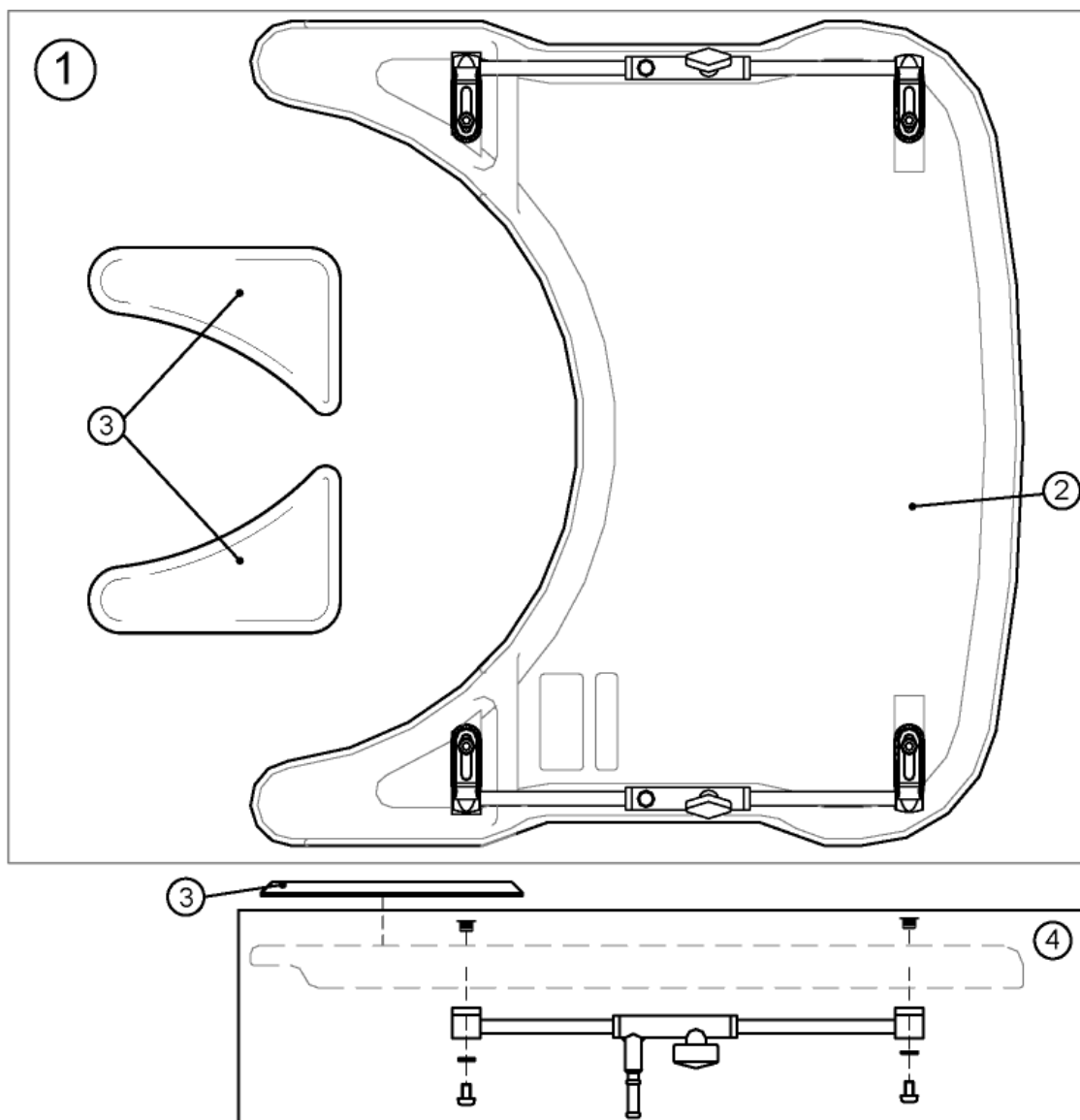


Pos.	Art.No.	Price	Description
	5254049-TR14	-	TRUNK SUPPORT 13 CPL,ASSIST
	5254049-TR23	-	TRUNK SUPPORT 13 CPL,ASSIST
	5254050-TR14	-	TRUNK SUPPORT 19 CPL,ASSIST
	5254050-TR23	-	TRUNK SUPPORT 19 CPL ,ASSIST
1	5253170	-	ATTACHMENT,TRUNK SUPPORT CPL.
2	5252257-TR14	-	CUSHION TRUNK SUPP,13 CM
2	5252257-TR23	-	CUSHION TRUNK SUPPORT
3	5254144-TR14	-	TRUNK SUPPORT PAD 19 CM
3	5254144-TR23	-	TRUNK SUPPORT PAD 19 CM





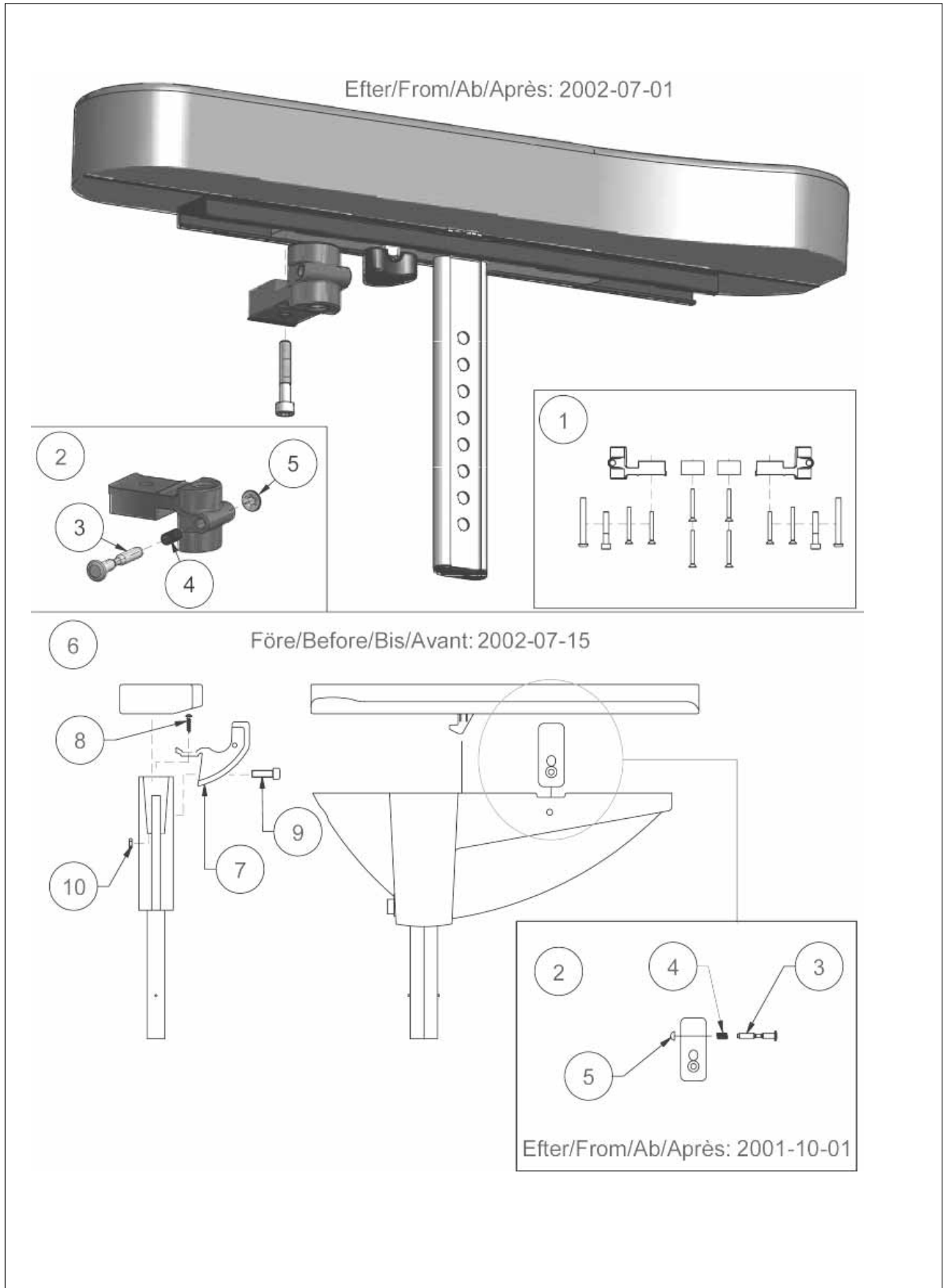
Pos.	Art.No.	Price	Description
	1449205	-	POMMEL CPL.,ASSIST,DARTEX BLACK
1	1444172	-	POMMEL,DARTEX BLACK
2	5254336	-	ATTACHMENT,POMMEL,CPL.,REA ASSIST
3	5253715	-	ATTACHMENT,POMMEL,CPL.,REA COMFORT



	Rollstol/Wheelchair/ Rollstuhl Typ	Bord storlek/Table size/ Tischgröße - Art.no	Seat Width/Sittbredd/ Sitzbreite/Largeur d'assise	Rollstol/Wheelchair/ Rollstuhl Typ	Bord storlek/Table size/ Tischgröße - Art. no	Seat Width/Sittbredd/ Sitzbreite/Largeur d'assise
	REA	S - 5206727	40, 43	REA SPIREA REA SPIREA ²	S - 5104425	36
		M - 5206726	46		S - 5206727	38
		L - 5206725	51		M - 5206726	41, 43
	REA I50	L - 5206725	51	REA ADAPT	L - 5206725	46, 50
	REA COMFORT/ 704 SILENCIO	XL - 5207643	55		S - 5104425	36
		S - 5206727	39		S - 5206727	38
		M - 5206726	44	M - 5206726	41, 43	
	REA ASSIST/ 705 SILENCIO CARE	L - 5206725	40-46	REA BELLIS	L - 5206725	46, 50
		XL - 5207643	46-55		S - 5206727	Small (39/41/43)
		<small>Förbehållna/für Vorbehalt, 2002-07-15</small> L - 5254246 * 40-46 XL - 5254247 * 46-55			M - 5206726	Medium (44/46/48)
	REA 706 CLEMATIS	L - 5206725	49	REA FOCUS	S - 5206727	38
		S - 5206727	39		M - 5206726	43
M - 5206726		44	L - 5206725		48	
		L - 5206725	49	XL - 5207643	53	

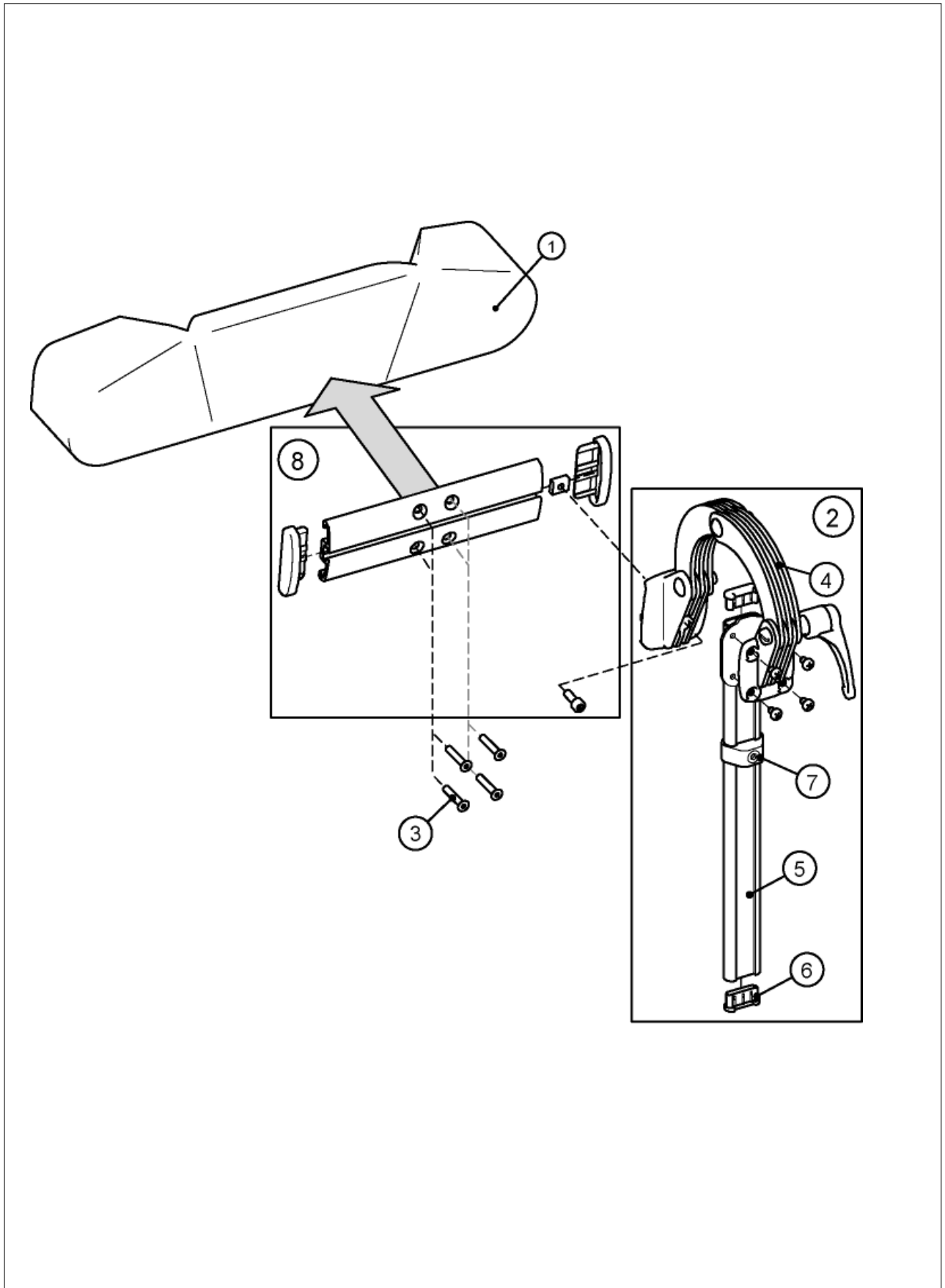


Pos.	Art.No.	Price	Description
	5206725	-	TABLE TRAY,L,CPL + MOUNTING KIT
	5207643	-	TABLE TRAY,XL,CPL + MOUNTING KIT
	5254246	-	TABLE TRAY,L,CPL + MOUNTING KIT,REA ASSIST (-2002.07.15)
	5254247	-	TABLE TRAY,XL,CPL + MOUNTING KIT,REA ASSIST (-2002.07.15)
			<i>Rea Assist - before 2002.07.15</i>
			<i>Rea Assist - before 2002.07.15</i>
1	5206642	-	TABLE TRAY,S,CPL
1	5206643	-	TABLE TRAY,M,CPL
1	5206644	-	TABLE TRAY,L,CPL
1	5206654	-	TABLE TRAY,XL,CPL
2	5221343	-	TABLE TOP SMALL
2	5221344	-	TABLE TOP MEDIUM
2	5221345	-	TABLE TOP BIG
2	5221713	-	TABLE TOP XL,ASSIST
3	5221346	-	ELBOWPAD RIGHT TABLE
3	5221354	-	ELBOWPAD TABLE,LEFT
4	5206648	-	GUIDE TUBE CPL LEFT
4	5206649	-	GUIDE TUBE CPL RIGHT



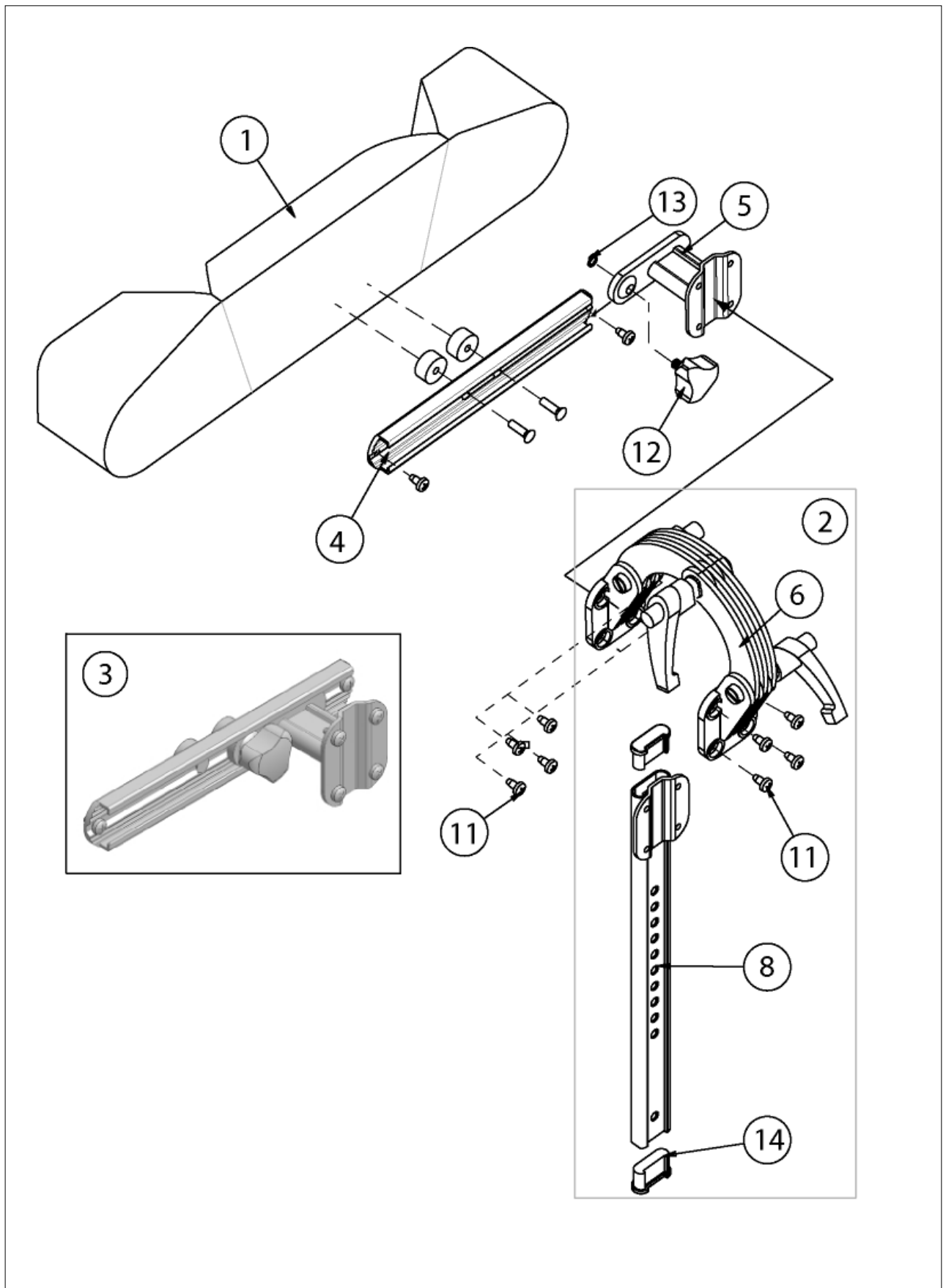


Pos.	Art.No.	Price	Description
1	5206650	-	MOUNTING KIT, TABLE, UNIVERSAL
2	1415416	-	LOCKING KIT, TABLE, ASSIST
3	1420154	-	LOCK FOR TABLE
4	1420155	-	SPRING SFTFR 0,5X6X30
5	1415415	-	STARLOCK WITH CAP
6	5206729	-	MOUNTING KIT, TABLE
7	5254086	-	TABLE ATTACHMENT, ASSIST
8	5724252	-	SCREW RX-8-16X12 A2
9	5723144	-	SCREW MC6S M6X30 A2, SPIREA
10	5726097	-	NUT SQUARE M6 LOW



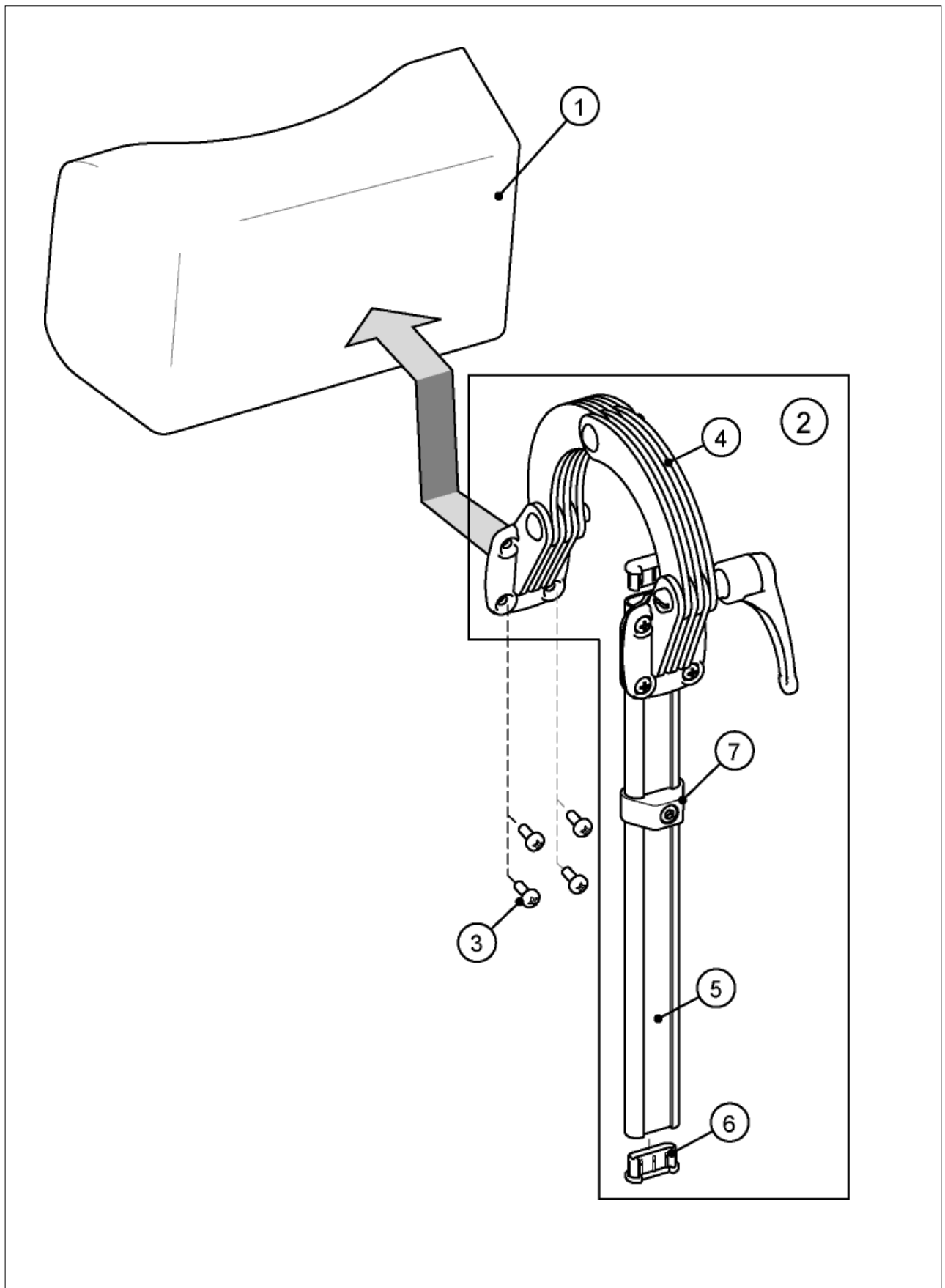


Pos.	Art.No.	Price	Description
	1446559	-	HEADREST CPL.,DARTEX BLACK
1	5252230-TR26	-	HEADREST PAD,DARTEX BLACK
2	1444210	-	ATTACHMENT,HEADREST,CPL.
3	1448662	-	SCREW MF6S M5X25 BLACK
4	1445691	-	ATTACHMENT,HEADREST
5	1444183-0509	-	POLE,HEAD-/NECKREST
6	5716497	-	PLUG IPO "SPECIAL"
7	1448661	-	STOP,NECK- & HEADREST,CPL.
8	1445838	-	RAIL,HEADREST,CPL.



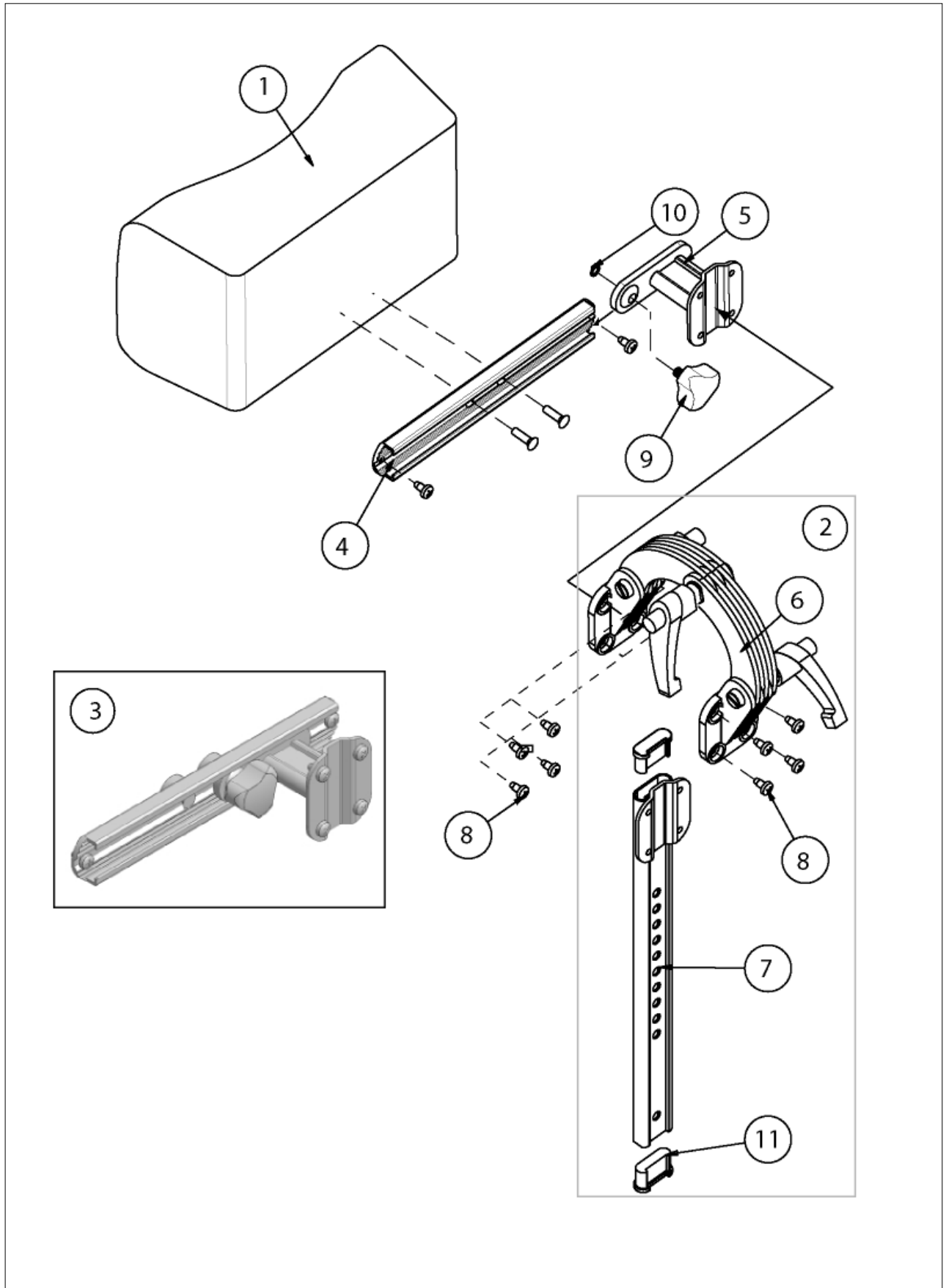


Pos.	Art.No.	Price	Description
1	5252230-TR26	-	HEADREST PAD,DARTEX BLACK
2	5255497	-	ATTACHMENT,NECKREST,CPL. POLE INCLUDED
3	1422757	-	ATTACHMENT,HEADREST,CPL. WITH HANDWHEEL
4	1420145	-	RAIL ALU.
5	1420150-0509	-	ATTACHMENT CPL
6	5255241	-	HOLDER NECKR/HEADR,CPL
7	-	-	NOT AVAILABLE
8	5255147-C9005M	-	POLE CPL.,NECKREST
9	-	-	NOT AVAILABLE
10	-	-	NOT AVAILABLE
11	5724277	-	SCREW MRX-TT H M5X8 FZB
12	5221115	-	HANDWHEEL M8X25
13	1424501	-	LOCKING WASHER
14	5716497	-	PLUG IPO "SPECIAL"



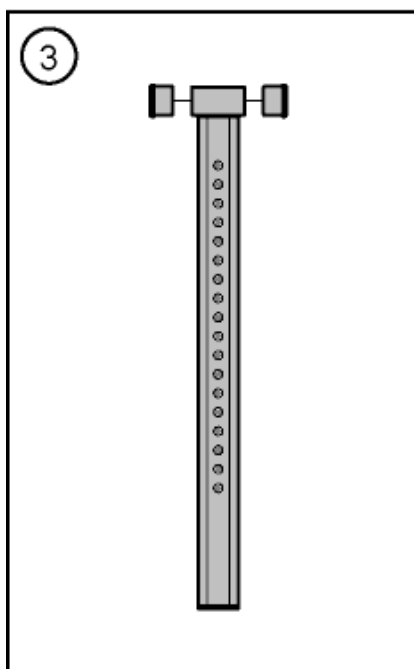
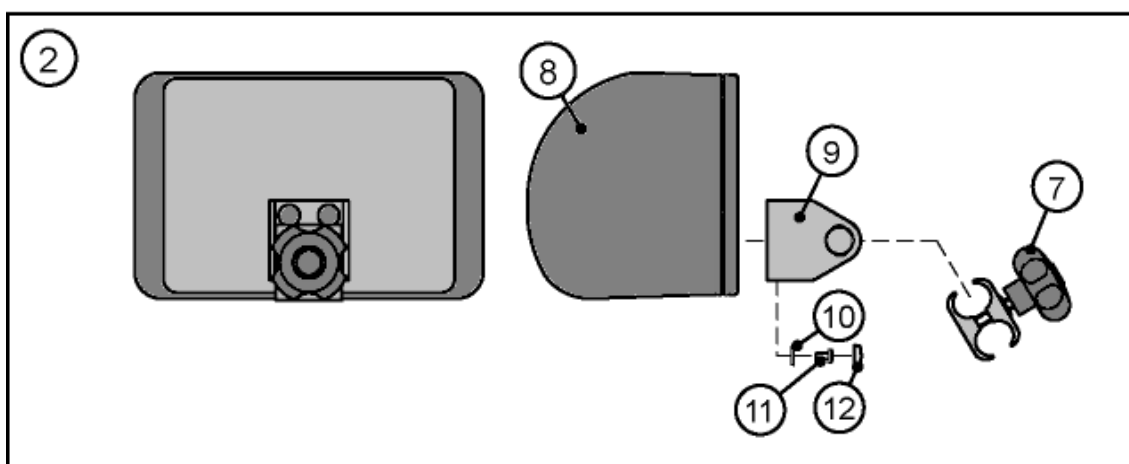
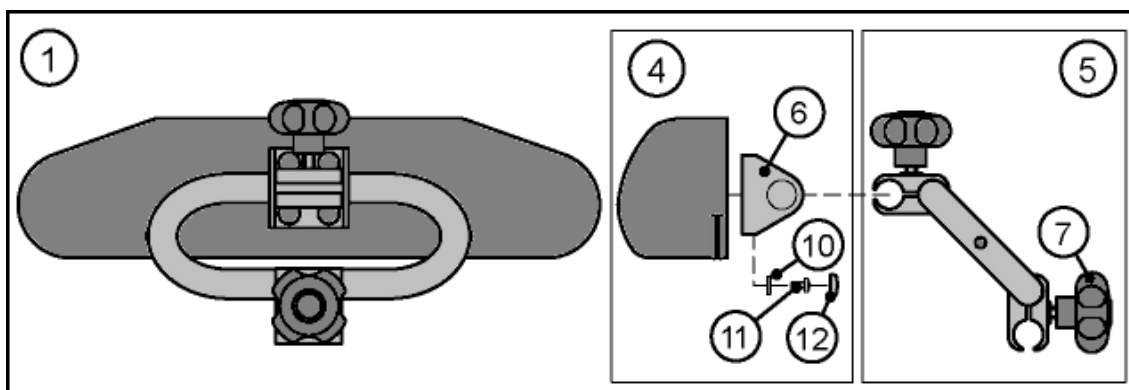


Pos.	Art.No.	Price	Description
	1446558	-	NECKREST CPL,DARTEX BLACK
1	5252227-TR26	-	PAD,NECKREST
2	1444209	-	ATTACHMENT,NECKREST,CPL.
3	5724027	-	SCREW MRX H M5X12
4	1445692	-	ATTACHMENT,NECKREST
5	1444183-0509	-	POLE,HEAD-/NECKREST
6	5716497	-	PLUG IPO "SPECIAL"
7	1448661	-	STOP,NECK- & HEADREST,CPL.





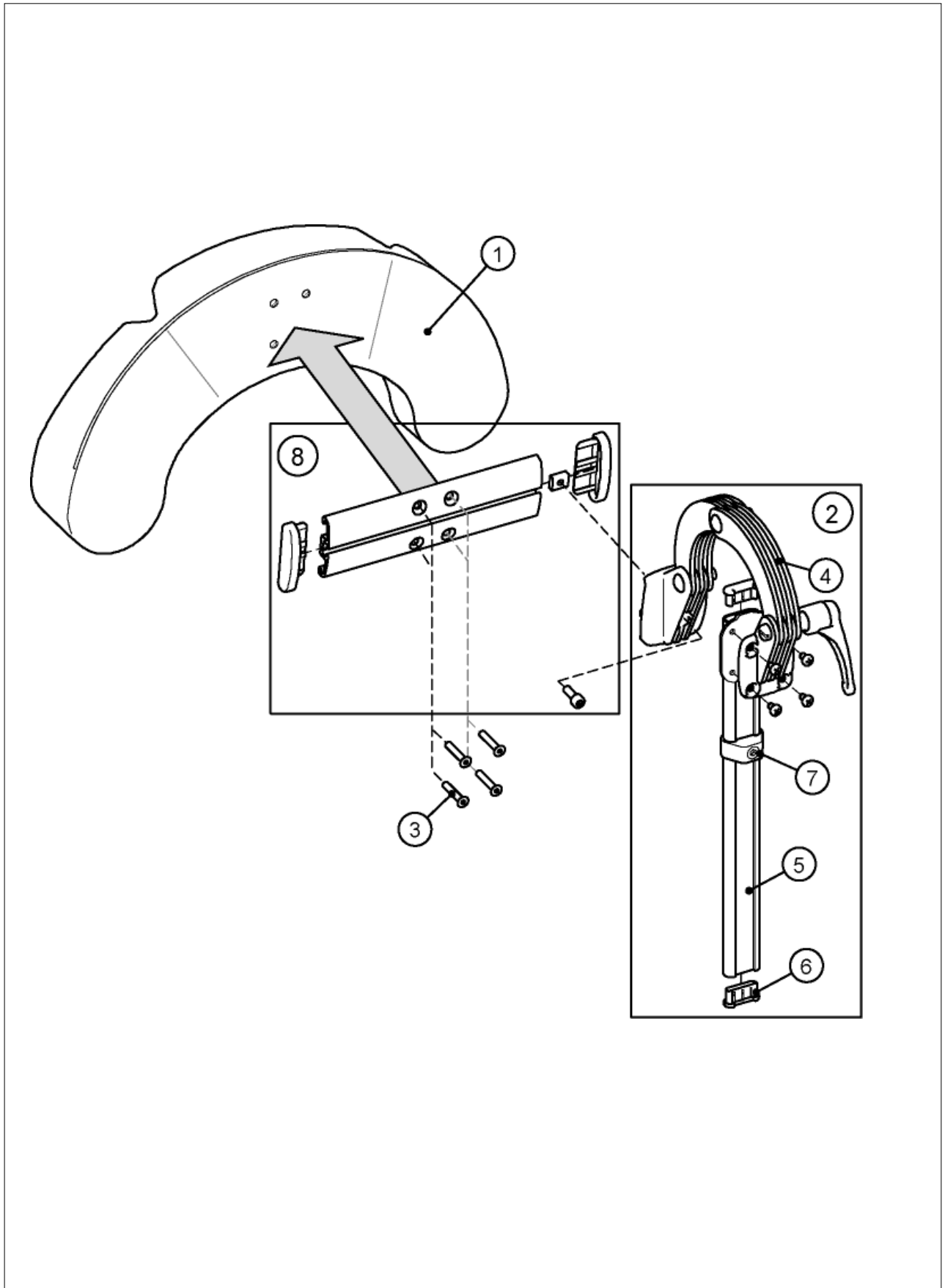
Pos.	Art.No.	Price	Description
1	5252227-TR26	-	PAD,NECKREST
2	5255497	-	ATTACHMENT,NECKREST,CPL. POLE INCLUDED
3	1420152	-	ATTACHMENT WITH HANDWHEEL CPL.,NECKREST
4	1420145	-	RAIL ALU.
5	1420150-0509	-	ATTACHMENT CPL
6	5255241	-	HOLDER NECKR/HEADR,CPL
7	5255147-C9005M	-	POLE CPL.,NECKREST
8	5724277	-	SCREW MRX-TT H M5X8 FZB
9	5221115	-	HANDWHEEL M8X25
10	1424501	-	LOCKING WASHER
11	5716497	-	PLUG IPO "SPECIAL"



	Färg	Colour	Farbe	Couleur
TR04	galon grå	vinyl grey	Kunstleder grau	vinyle gris
TR13	plysch blå	plush blue	Plüsch blau	velours bleu
TR23	dartex grå	dartex grey	Dartex grau	dartex gris



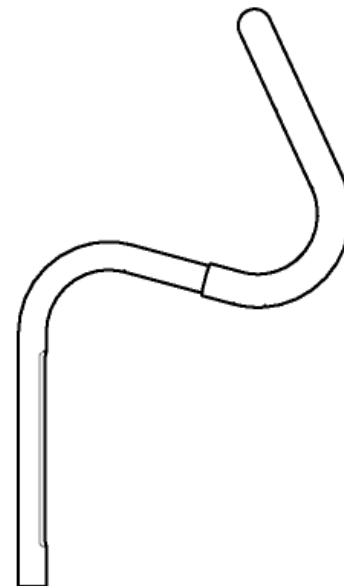
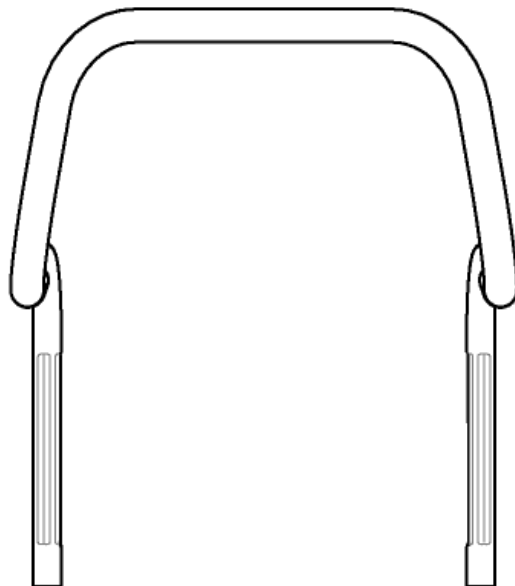
Pos.	Art.No.	Price	Description
1	5253011-TR04	-	HEADREST,ADJUSTABLE,CPL.,VINYL GREY
1	5253011-TR13	-	HEADREST,ADJUSTABLE,CPL.,PLUSH BLUE
1	5253011-TR23	-	HEADREST,ADJUSTABLE,CPL.,DARTEX GREY
2	5253013-TR04	-	NECKREST,FIXED,CPL.,VINYL GREY
2	5253013-TR13	-	NECKREST,FIXED,CPL.,PLUSH BLUE
2	5253013-TR23	-	NECKREST,FIXED,CPL.,DARTEX GREY
3	5253009	-	CENTER ROD CPL
4	5253650-TR04	-	PAD,HEADREST ADJ.,CPL.,VINYL GREY
4	5253650-TR13	-	PAD,HEADREST ADJ.,CPL.,PLUSH BLUE
4	5253650-TR23	-	PAD,HEADREST ADJ.,CPL.,DARTEX GREY
5	5253659	-	HEADREST BOW KPL.
6	5253697	-	ATTACHMENT,HEADREST,CPL.
7	5253162	-	CLAMP CPL.,HEADREST
8	5252227-TR04	-	NECKREST PAD
8	5252227-TR13	-	NECKREST PAD
8	5252227-TR23	-	NECKREST PAD
9	5253696	-	NECKREST ATTACH FIXED,CPL.
10	5716374	-	WASHER,UNICAP
11	5724027	-	SCREW MRX H M5X12
12	5716375	-	UNICAP 84 BLACK





Pos.	Art.No.	Price	Description
	1446560	-	CHEEKSUPPORT ADJ.,CPL.,DARTEX BLACK
1	1444304	-	CUSHION,CHEEK SUPPORT
2	1444210	-	ATTACHMENT,HEADREST,CPL.
3	1448662	-	SCREW MF6S M5X25 BLACK
4	1445691	-	ATTACHMENT,HEADREST
5	1444183-0509	-	POLE,HEAD-/NECKREST
6	5716497	-	PLUG IPO "SPECIAL"
7	1448661	-	STOP,NECK- & HEADREST,CPL.
8	1445838	-	RAIL,HEADREST,CPL.

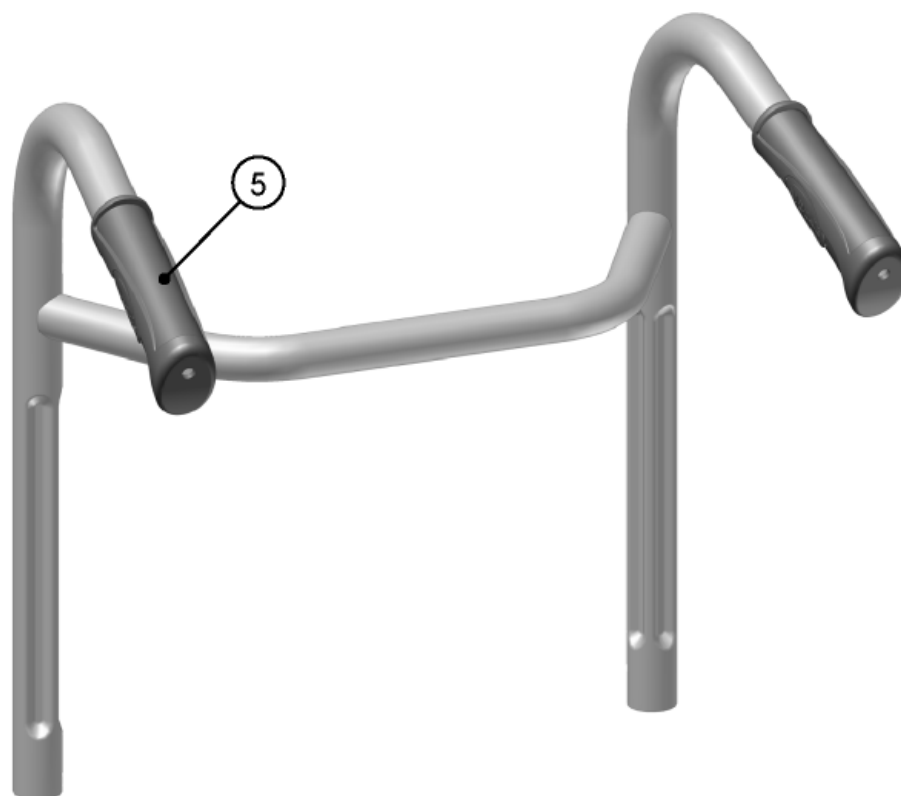
Sittbredd/ Seat width/ Sitz- briete/ Largeur d'assise	Rea Assist/ 705 Silencio	Rea Bellis	Rea Comfort/ 704 Silencio				
				292	342	392	442
			39	①			
40-50		41 (S)	44		②		
45-55		46 (M)	49			③	
		51 (L)					④





Pos.	Art.No.	Price	Description
1	1444350	-	PUSH BAR 292
2	5255136	-	PUSH BAR 342
3	5255137	-	PUSH BAR 392
4	5255138	-	PUSH BAR 442

Sittbredd/ Seat width/ Sitz- briete/ Largeur d'assise	Rea Assist/ 705 Silencio	Rea Bellis	Rea Comfort/ 704 Silencio				
				292	342	392	442
			39	①			
40-50		41 (S)	44		②		
45-55		46 (M)	49			③	
		51 (L)					④

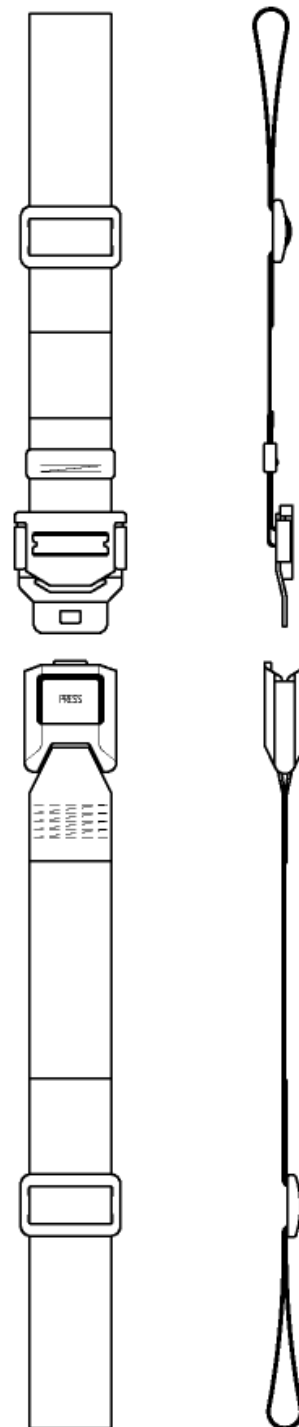
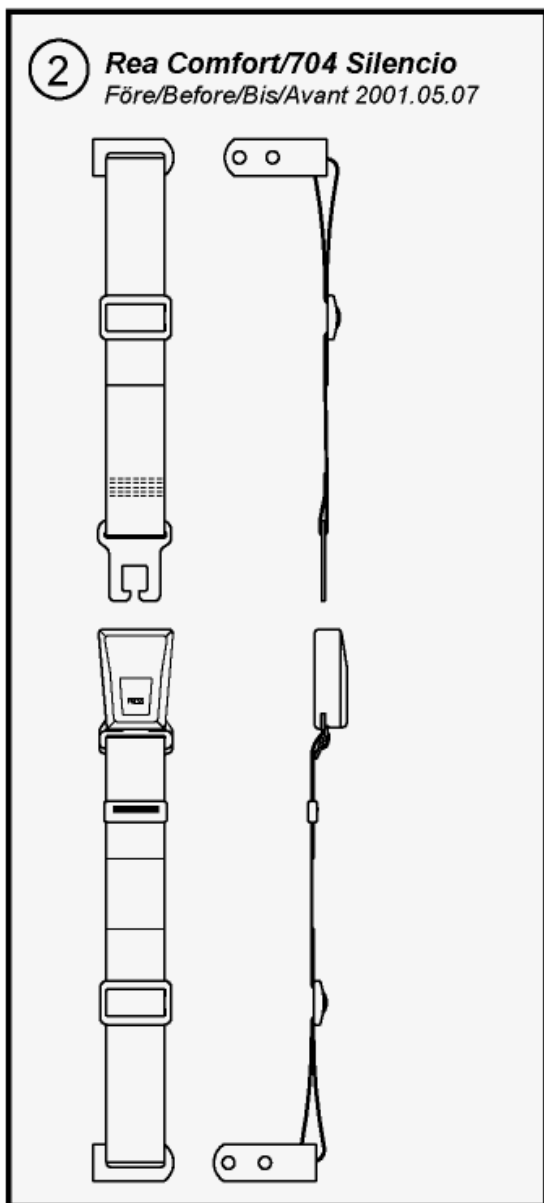




Pos.	Art.No.	Price	Description
1	1420007-0509	-	PUSHHANDLE BRACED 314 (XS),CPL.
2	1420008-0509	-	PUSHHANDLE BRACED 364 (S),CPL.
3	1420009-0509	-	PUSHHANDLE BRACED 414 (M),CPL.
4	1420010-0509	-	PUSHHANDLE BRACED 464 (L),CPL.
5	1435421	-	HANDLE Ø22,INVACARE

- ① **Rea Assist/ 705 Silencio Care**
Rea Bellis
Rea Focus
Rea Comfort/ 704 Silencio
Rea Clematis
Rea 700 series
Wheeler
XLT

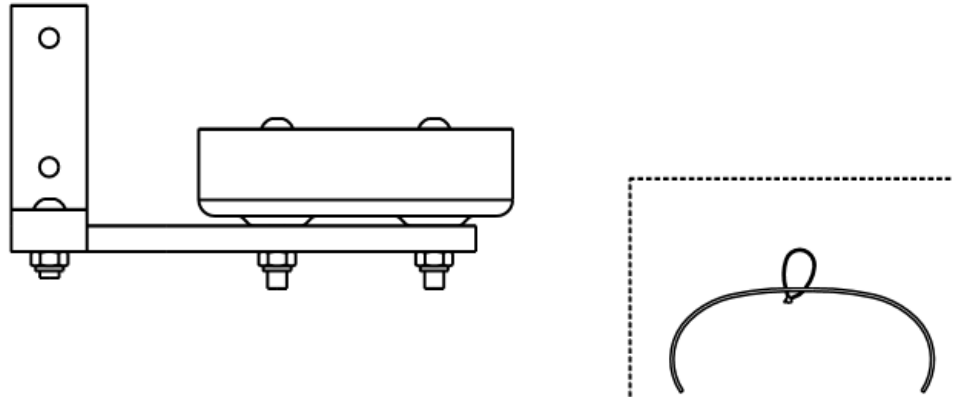
- ② **Rea Comfort/704 Silencio**
 Före/Before/Bis/Avant 2001.05.07



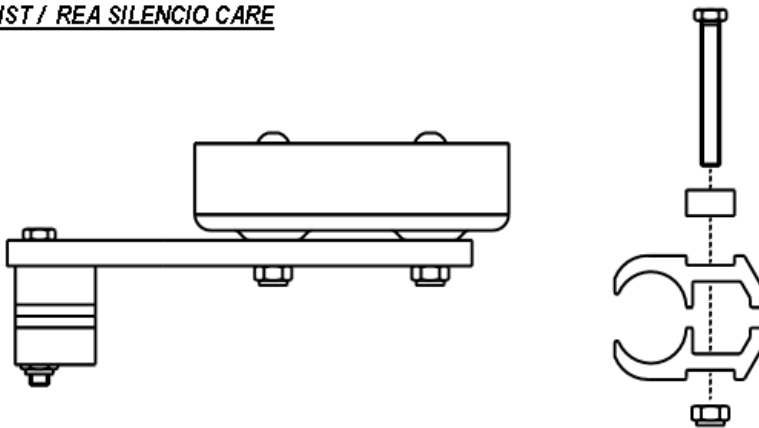


Pos.	Art.No.	Price	Description
1	5252276	-	PELVIC BELT
2	5253089	-	PELVIC BELT,REA COMFORT (- 01.05.07)

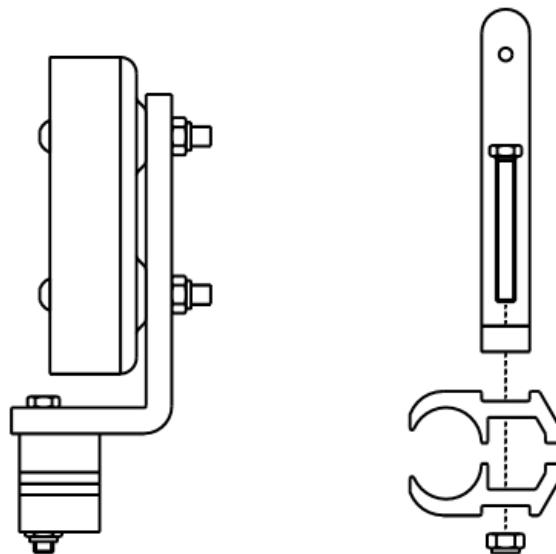
SPIREA fr.o.m./ from/ ab/ avant 00-04-13



ASSIST / REA SILENCIO CARE

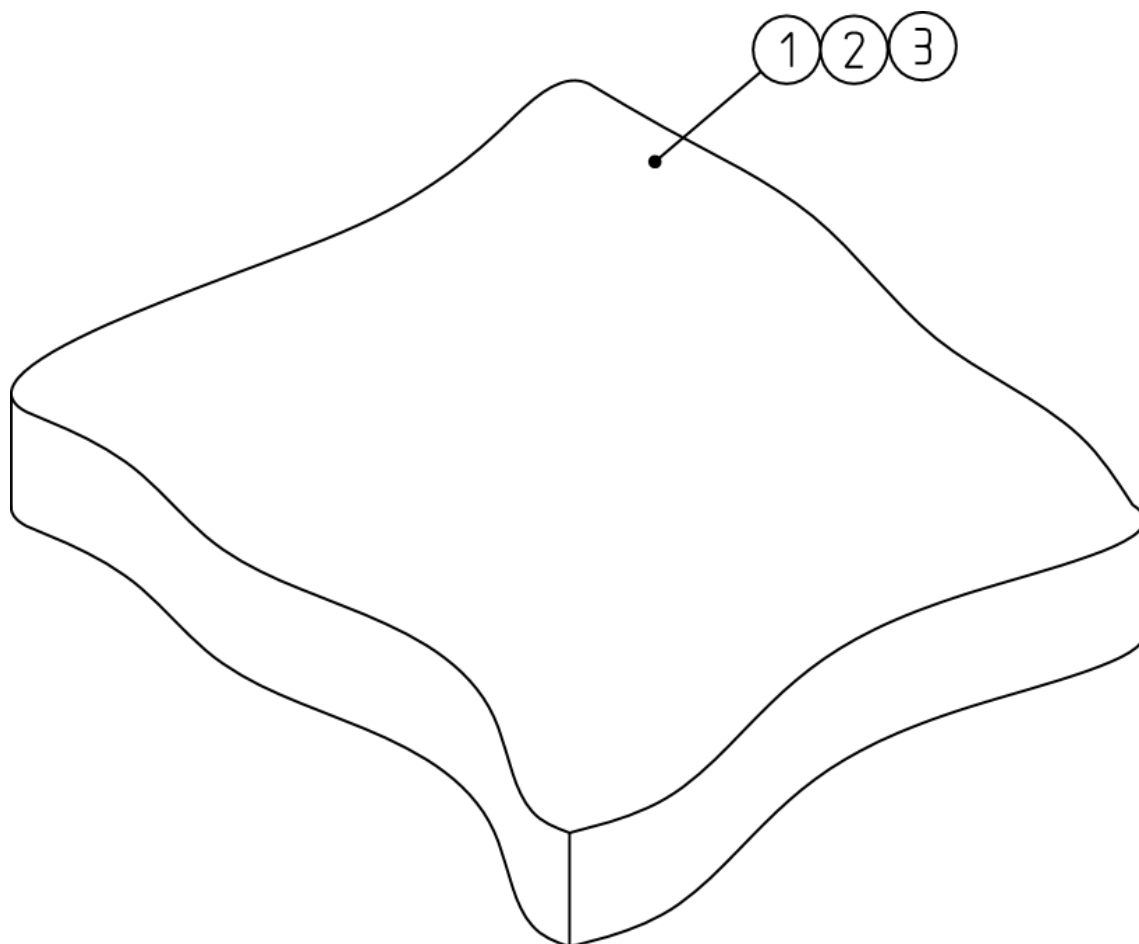


REA
ADAPT
BELLIS
SPIREA





Pos.	Art.No.	Price	Description
	5104964 5254250 5295015		- CRUTCH HOLDER SP - CRUTCH HOLDER ASSIST - CRUTCH HOLDER REA



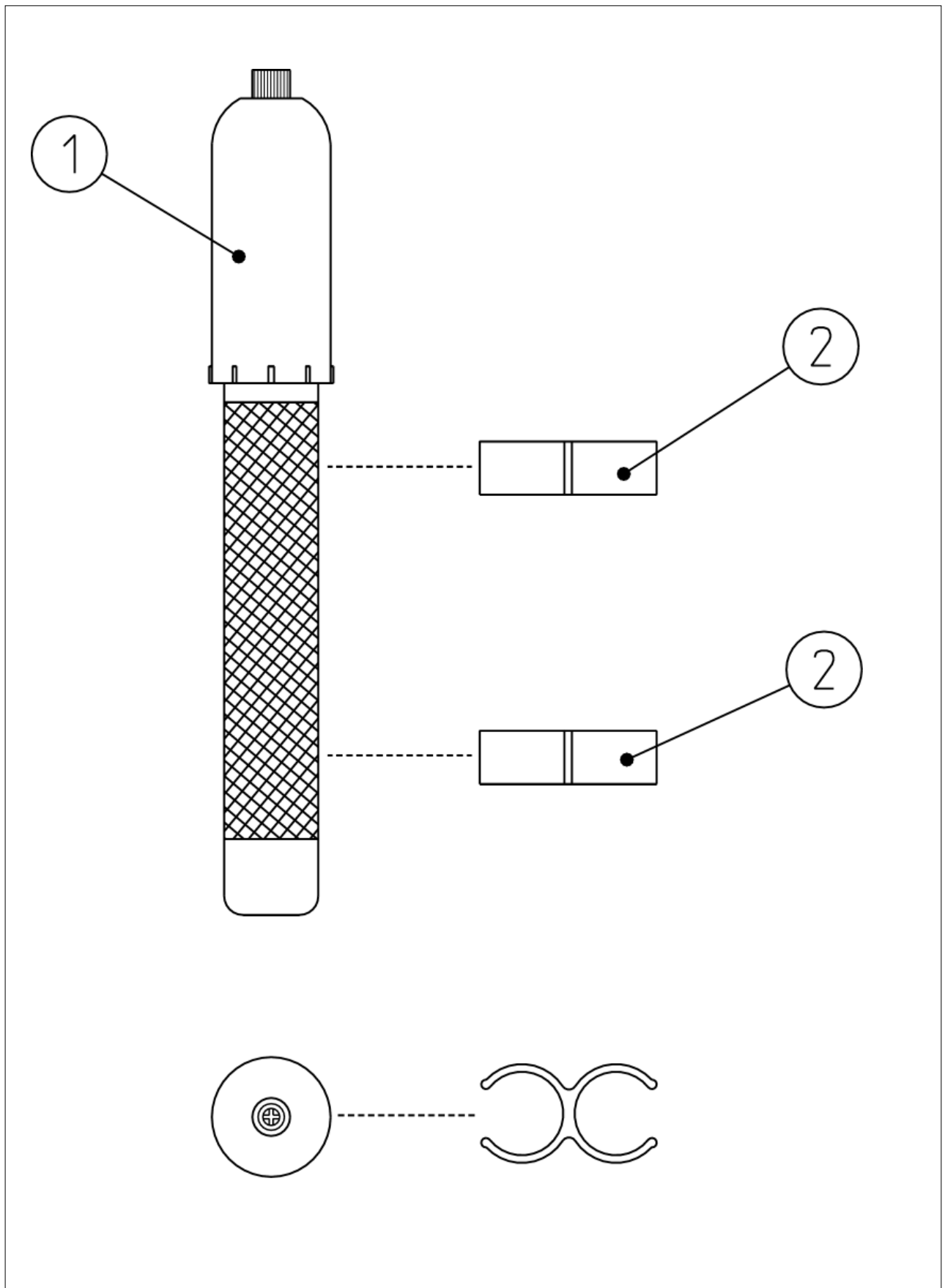
**TR = Klädeskod / Clothcode / Stoffcode*

Example: 5207004-TR01

<i>Code</i>	<i>Tyggsort/Clothsort/Stoffart</i>
<i>TR25</i>	<i>Dartex Nova grå/Nova grey/Nova grau</i>


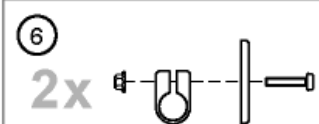
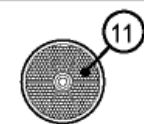



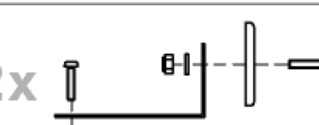
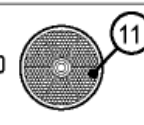
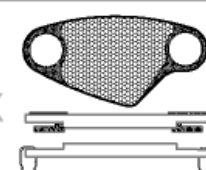


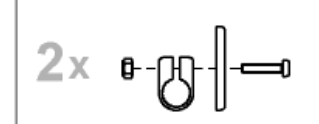
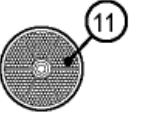
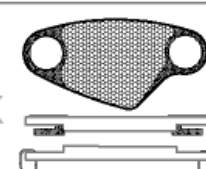




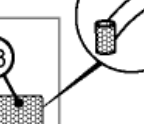
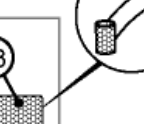
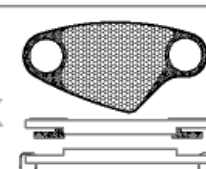

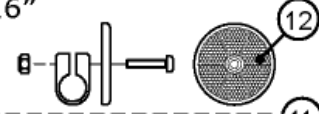

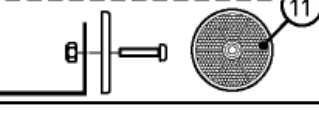
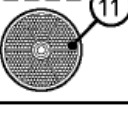
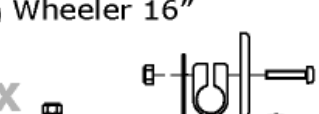
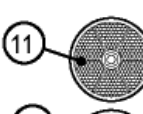
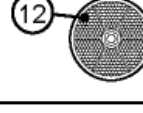
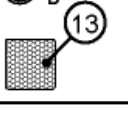
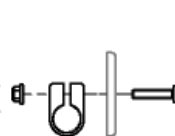
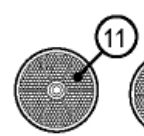
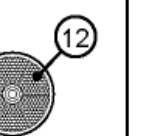
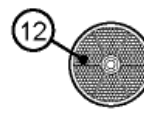
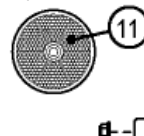
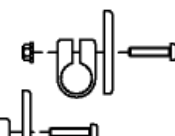


Pos.	Art.No.	Price	Description
1	5253078-TR25	-	INCONTINENCE COVER,39
2	5253079-TR25	-	INCONTINENCE COVER,44
3	5253080-TR25	-	INCONTINENCE COVER,49





Pos.	Art.No.	Price	Description
	5750729	-	PUMP CPL,MODEL-97
1	5750726	-	PUMP,ZEFAL MINI
2	5750728	-	CLAMP,PLASTIC,BLACK

<p>① Bellis/Rea/Comfort/704 S/XLT</p> <p>8x </p> <p>2x  </p>	<p>⑤ </p> <p>4x </p>
<p>② Spirea/Spirea²/Focus 22-24"</p> <p>8x </p> <p>2x  </p>	<p>⑤ </p> <p>4x </p>
<p>③ Adapt</p> <p>8x </p> <p>2x  </p>	<p>⑤ </p> <p>4x </p>
<p>④ Wheeler 20-24"</p> <p>8x </p> <p>2x    </p>	<p>⑤ </p> <p>4x </p>
<p>⑦ Spirea² 16"</p> <p>2x  </p> <p>2x  </p>	<p>⑧ Wheeler 16"</p> <p>2x    </p>
<p>⑩ Assist/705 SC före/before/bis/apres 2001-05-07</p> <p>2x   </p>	<p>⑨ Assist/705 SC efter/after/Ab/avant 2001-05-07</p> <p>  </p>



Pos.	Art.No.	Price	Description
1	5206640	-	REFLECTOR KIT,BELLIS/REA/COMFORT/XLT
2	5104965	-	REFLECTOR SET CPL
2	5104965	-	REFLECTOR KIT,22+24" WHEEL FOCUS/SPIREA2/SPIREA
3	5206655	-	REFLECTOR KIT CPL.,ADAPT
4	5108147	-	REFLECTOR KIT,WHEELER 20+24" WHEEL
5	5206635	-	REFLECTOR YELLOW CPL.
6	5207082	-	RED REFLECTOR KIT
7	1435760	-	REFLECTOR KIT,SPIREA2 16" WHEEL
8	5108024	-	REFLECTOR KIT,WHEELER 16" WHEEL
9	1415574	-	REFLECTOR KIT ASSIST CPL.
9	1415574	-	REFLECTOR KIT,ASSIST
10	5254249	-	REFLECTOR KIT CPL ASSIST
10	5254249	-	REFLECTOR KIT,ASSIST <2001.05.07
11	5206634	-	RED REFLECTOR PMMA 60 HELLA
12	5738680	-	YELLOW REFLECTOR,ASSIST
13	1446108	-	REFLECTOR WHITE,STICKER
14	5707472	-	STRIPS BLACK