



Yes, you can.®



Invacare® Dragon

**Power wheelchair
User manual**



How can you get in touch with Invacare®?

If you have any questions or need support, please contact your authorised Invacare® Dealer, who has the necessary know-how and equipment plus the special knowledge concerning your Invacare® product, and can offer you all-round satisfactory service. Should you wish to contact Invacare® directly, you can reach us in Europe at the following addresses and phone numbers.

A	Invacare Austria GmbH Herzog Odilostrasse 101 A-5310 Mondsee Austria	☎: Fax: @: WWW:	+43 6232 5 53 50 +43 6232 5 53 54 info@invacare-austria.com www.invacare.at
----------	--	--------------------------	--

B	Invacare n.v. Autobaan 22 B-8210 Loppem (Brugge) Belgium	☎: Fax: @: WWW:	+32 (0)50 83 10 10 +32 (0)50 83 10 11 belgium@invacare.com www.invacare.be
----------	---	--------------------------	---

CH	Invacare AG Benkenstraße 260 CH-4108 Witterswil Switzerland	☎: Fax: @: WWW:	+41 (0)61487 70 80 +41 (0)61487 70 81 switzerland@invacare.com www.invacare.ch
-----------	--	--------------------------	---

D	Invacare GmbH Alemannenstraße 10 88316 Isny Deutschland	☎: Fax: @: WWW:	+49 (0)7562 70 00 +49 (0)7562 7 00 66 kontakt@invacare.com www.invacare.de
----------	--	--------------------------	---

DK	Invacare A/S Sdr. Ringvej 37 DK-2605 Brøndby Danmark	☎ (Kundeservice): Fax (Kundeservice): @: WWW:	+45 (0)36 90 00 00 +45 (0)36 90 00 01 denmark@invacare.com www.invacare.dk
-----------	---	--	---

E	Invacare® SA c/ Areny s/n Polígon Industrial de Celrà E-17460 Celrà (Girona) ESPAÑA	☎: Fax: @: WWW:	+34 (0)972 49 32 00 +34 (0)972 49 32 20 contactsp@invacare.com www.invacare.es
----------	---	--------------------------	---

F	Invacare® Poirier SAS Route de St Roch F-37230 Fondettes France	☎: Fax: @: WWW:	+33 (0)247 62 64 66 +33 (0)247 42 12 24 contactfr@invacare.com www.invacare.fr
GB	Invacare® Ltd Pencoed Technology Park Pencoed Bridgend CF35 5AQ United Kingdom	☎ (Customer services): Fax (Customer services): @: WWW:	+44 (0)1656 77 62 22 +44 (0)1656 77 62 20 uk@invacare.com www.invacare.co.uk
I	Invacare Mecc San s.r.l. Via dei Pini, 62 I - 36016 Thiene (VI) ITALIA	☎: Fax: @: WWW:	+39 0445 38 00 59 +39 0445 38 00 34 italia@invacare.com www.invacare.it
IE	Invacare Ireland Ltd. Unit 5 Seatown Business Campus Seatown Rd, Swords County Dublin Ireland	☎: Fax: @: WWW:	+353 18 10 70 84 +353 18 10 70 85 ireland@invacare.com www.invacare.ie
N	Invacare® AS Grensesvingen 9 Postboks 6230 Etterstad N-0603 Oslo Norge	☎ (Kundeservice): Fax (Kundeservice): @: @: WWW:	+47 (0)22 57 95 00 +47 (0)22 57 95 01 norway@invacare.com island@invacare.com www.invacare.no
NL	Invacare® B.V. Celsiusstraat 46 NL-6716 BZ Ede Nederland	☎: Fax: @: @: WWW:	+31 (0)318 69 57 57 +31 (0)318 69 57 58 nederland@invacare.com csede@invacare.com www.invacare.nl
P	Invacare Lda Rua Estrada Velha, 949 P-4465-784 Leça do Balio Portugal	☎: ☎: Fax: @: WWW:	+351 225 10 59 46 +351 225 10 59 47 +351 225 10 57 39 portugal@invacare.com www.invacare.pt



Aterförsäljare:
Invacare® AB
Fagerstagatan 9
S-163 91 Spånga
Sverige

☎ (Kundtjänst): +46 (0)8 761 70 90
Fax (Kundtjänst): +46 (0)8 761 81 08
@: sweden@invacare.com
@: finland@invacare.com
WWW: www.invacare.se



Tillverkare:
Invacare® Deutschland GmbH
Kleiststraße 49
D-32457 Porta Westfalica
Deutschland

MÖLNDAL
☎: +46 (0)31 86 36 00
Fax: +46 (0)31 86 36 06
@: ginvacare@invacare.com

LANDSKRONA
☎: +46 (0)418 2 85 40
Fax: +46 (0)418 1 80 89
@: linvacare@invacare.com

OSKARSHAMN
☎: +46 (0)491 1 01 40
Fax: +46 (0)491 1 01 80
@: oinvacare@invacare.com

**Eastern
european
countries**

**European Distributor
Organisation (EDO)**
Kleiststraße 49
D-32457 Porta Westfalica
Deutschland

☎: +49 (0)5731 75 45 40
Fax: +49 (0)5731 75 45 41
@: edo@invacare.com
WWW: www.invacare.de

Table of Contents

Chapter		Page
1	Introduction	11
1.1	Important symbols in this manual	12
1.2	Important symbols found on the vehicle	14
1.3	Type classification and permissible use.....	16
1.4	Indications.....	16
1.5	Usability.....	17
1.6	Warranty	18
1.7	Life expectancy.....	18
2	Safety notes	19
2.1	General safety notes	19
2.2	Safety information with regard to care and maintenance	22
2.3	Safety information on electromagnetic interference	23
2.4	Safety information on driving and freewheel mode.....	24
2.5	Safety information regarding changes and modifications to the mobility device.....	26
3	Key features	28
4	Getting in and out of the wheelchair	29
4.1	Remove the standard armrest in order to side transfer	29
5	Driving	31
5.1	Before driving for the first time.....	31
5.2	Taking Obstacles	32
5.2.1	Maximum obstacle height.....	32

	5.2.2	Safety information when ascending obstacles	32
	5.2.3	The correct way to overcome obstacles	33
5.3		Driving up and down gradients.....	34
5.4		Parking and stationary.....	34
5.5		Use on public roads	35
6		Pushing the wheelchair in freewheel mode	35
	6.1	Disengaging Motors	35
7		Remotes	36
8		Adjusting the wheelchair to the user's seating posture	37
	8.1	Adjusting the armrests and the control panel.....	38
	8.1.1	Adapting the control panel to the length of the user's arm.....	38
	8.1.2	Setting the height of the remote	39
	8.1.3	Setting the height of the armrests.....	40
	8.1.4	Adjusting the width of the armrests	41
	8.2	Adjusting the seat angle / seat height.....	43
	8.2.1	Manual adjustment using perforated plates.....	43
	8.2.2	Electric adjustment in the front / perforated plate in the rear.....	47
	8.3	Adjusting the backrest.....	50
	8.3.1	Adjusting the backrest electrically	50
	8.3.2	Set backrest using perforated plate	50
	8.3.3	Adjusting the backrest using the gas pressure spring.....	51
	8.4	Adjusting the headrest.....	52
	8.4.1	Adjusting the position of the headrest or neckrest	53
	8.4.2	Adjusting the height of the headrest or neckrest	54
	8.4.3	Adjusting the cheek supports	55
	8.5	Legrests.....	56
	8.5.1	Standard legrests.....	56
	8.5.1.1	Swivel the legrest outward and/or remove	56

8.5.1.2	Adjusting the length	58
8.5.2	Vari-A legrests	59
8.5.2.1	Swivelling the legrest outward and/or removing	59
8.5.2.2	Setting the angle	60
8.5.2.3	Setting the end stop of the legrest	63
8.5.2.4	Adjusting the length of the legrest	67
8.5.2.5	Adjusting the depth of the calf plate	68
8.5.2.6	Adjusting the height of the calf pad	69
8.5.2.7	Unlocking and swivelling the calf plate backward when alighting	70
8.5.2.8	Adjusting the angle adjustable foot plate	71
8.5.2.9	Adjusting the angle and depth adjustable foot plate	72
8.5.3	Electrically height adjustable legrest 80° - 0° with ergonomic length adjustment	73
8.5.3.1	Swivelling the legrest outward and/or removing	73
8.5.3.2	Setting the angle	74
8.5.3.3	Adjusting the length of the legrest	75
8.5.3.4	Adjusting the depth of the calf plate	76
8.5.3.5	Adjusting the height of the calf pad	77
8.5.3.6	Unlocking and swivelling the calf plate backward when alighting	78
8.5.3.7	Adjusting the angle adjustable foot plate	79
8.5.3.8	Adjusting the angle and depth adjustable foot plate	80
8.5.4	Manually height-adjustable legrest	81
8.5.4.1	Swivelling the legrest outward and/or removing	81
8.5.4.2	Setting the angle	82
8.5.4.3	Adjusting the length of the legrest	83
8.5.4.4	Adjusting the depth of the calf plate	84
8.5.4.5	Adjusting the height of the calf pad	85
8.6	Postural belts	86
8.6.1	Types of postural belts	86
8.6.2	Adjusting the postural belt correctly	89
8.7	Adjusting and removing the tray	89
8.7.1	Laterally adjusting the tray	90

8.7.2	Adjusting the depth of the tray / removing the tray	91
8.7.3	Swinging the tray away to the side	91

9 Electrical system 92

9.1	Electronics protection system	92
9.1.1	The main fuse	93
9.2	Batteries	94
9.2.1	Charging the batteries	94
9.2.1.1	General information on charging	94
9.2.1.2	General instructions on charging	94
9.2.1.3	How to charge the batteries.....	95
9.2.1.4	How to disconnect the batteries after charging	96
9.2.2	Storage and Maintenance.....	97
9.2.3	Instructions on using the batteries	97
9.2.4	Transporting batteries.....	99
9.2.5	Handling batteries.....	99
9.2.5.1	General instructions on handling the batteries	99
9.2.5.2	How to handle damaged batteries correctly	99
9.2.5.3	Removing the batteries.....	101

10 Care and maintenance 103

10.1	Cleaning the mobility device	103
10.2	Inspection checks	104
10.3	Repair Instructions.....	107
10.3.1	Repairing a flat tyre	107
10.3.1.1	Repairing a flat tyre at the front - pneumatic tyres type 2.80/2.50-4 on steel rim .	108
10.3.1.2	Repairing a flat tyre at the rear (wheel rim type 3.00-8").....	111

11 Transport 115

11.1	Transferring the wheelchair to a vehicle.....	115
11.2	Use of the wheelchair as a seat in a vehicle.....	116

11.2.1	How the wheelchair is anchored in a vehicle for use as a vehicle seat	118
11.2.2	How the user is secured within the wheelchair.....	119
11.3	Securing the wheelchair for transport without passengers	122
12	Refurbishment	123
13	Disposal	124
14	Technical specifications	125
15	Inspections Performed	129

1 Introduction

Dear user,

First we would like to thank you for purchasing our product! We hope that you will have a great deal of pleasure with your new power wheelchair.

This operating manual contains important information and notes about:

- **Safety**
- **Operation**
- **Care and maintenance**

Please take care to read the operating manual thoroughly before starting out on your first journey.

This wheelchair has been constructed for a large circle of users with different requirements.

The decision whether the model is suitable for the user may only be taken by medical specialists with appropriate expertise.

Invacare® or their statutory representatives can accept no liability in cases in which the wheelchair has not been adapted to suit the users' handicaps.

Some maintenance and settings can be performed by the user or his/hers attendants. Certain adjustments do however require technical training and may only be carried out by your Invacare® specialist dealer. Damages and errors caused by nonobservance of the user manual or as a result of incorrect maintenance are excluded from all guarantees.

This manual contains copyrighted information. This manual may not be reproduced or reprinted either partly or completely without previous written consent from Invacare® or its statutory representatives. We reserve the right to make any necessary alterations on the grounds of technical improvements.

1.1 Important symbols in this manual



General risks

This symbol warns you of general hazards!

- *Always follow the instructions to avoid injury to the user or damage to the product.*
-



EXPLOSION HAZARD!

This symbol warns you of an explosion hazard, which can be caused by excessive tyre pressure in a pneumatic tyre.

- *Always follow the instructions to avoid injury to the user or damage to the product.*
-



BURN HAZARD!

This symbol warns you of the danger of chemical burns, for example due to the discharge of battery acids!

- *Always follow the instructions to avoid injury to the user or damage to the product.*
-



BURN Risk!

This symbol warns of the risk of burns, for example, as a result of hot motor surfaces.

- *Follow the instructions in order to avoid injury or damage to the product.*
-



RISK OF CRUSHING!

This symbol warns of a risk of crushing caused by being careless with heavy components.

- *Always follow the instructions to avoid injury to the user or damage to the product.*
-



Wear eye protection

This symbol refers to the requirement for wearing eye protection, for example when working with batteries.

- *You must wear safety goggles when this symbol is displayed.*
-



Wear protective gloves

This symbol indicates the requirement to wear protective gloves, for example when working with batteries.

You must wear protective gloves when this symbol is displayed.



NOTE:

This symbol identifies general information which is intended to simplify working with your product and which refers to special functions.



Requirements:

- This symbol identifies a list of various tools, components and items which you will need in order to carry out certain work. Please do not attempt to carry out the work if you do not have the listed tools available.
-



READ WELL BEFORE OPERATION!

This symbol advises you to read information carefully.

1.2 Important symbols found on the vehicle



This product has been supplied from an environmentally aware manufacturer. This product may contain substances that could be harmful to the environment if disposed of in places (landfills) that are not appropriate according to legislation.

- *The 'crossed out wheelie bin' symbol is placed on this product to encourage you to recycle wherever possible.*
 - *Please be environmentally responsible and recycle this product through your recycling facility at its end of life.*
-



This symbol indicates the “Drive” position of the coupling lever. In this position the motor is engaged and the motor brakes are operational. You can drive the wheelchair.

- *Please note that for driving purposes both motors must always be engaged.*



This symbol indicates the “Push” position of the coupling lever. In this position the motor is disengaged and the motor brakes are not operational. The wheelchair can be pushed by an attendant and the wheels turn freely.

- *Please note that the control panel must be switched off.*
 - *Please also note the information provided in section "**Pushing the wheelchair in freewheel mode**" on page 35.*
-



This symbol indicates the position of an anchor point when using a lashing system during transport.



If the symbol appears on a bright yellow sticker, the anchoring point is suitable for fixation of the wheelchair in a vehicle for use as a vehicle seat.



This wheelchair may not be used as a vehicle seat!

- *This wheelchair does not satisfy the requirements of ISO 7176-19:2001 and may not under any circumstances be used as a vehicle seat or to transport the user in a vehicle.*
 - *Using a wheelchair that does not fulfill these criteria as a vehicle seat can lead to the most severe injuries and even death in the event of a traffic accident.*
-



If the power wheelchair is fitted with a table, it is imperative that it is removed and safely stowed when transporting the wheelchair in a vehicle!

1.3 Type classification and permissible use

This vehicle was designed for persons whose ability to walk is impaired, but who are still in terms of their eyesight and physically and mentally able to operate an electric vehicle. It has been classified according to EN 12184 as a **class B mobility product** (for indoor and outdoor areas). It is therefore compact and agile enough for indoor areas, but also able to overcome many obstacles in outdoor areas.

You can find precise information about speed, turning radius, driving range, maximum safe slope, maximum obstacle height and permissible operating conditions in chapter "Technical specifications" starting from page 125.

Please also pay attention to all safety information in chapter "Safety notes" starting from page 19.

The vehicle was successfully tested according to German and international standards as to its safety. It satisfies the requirements according to DIN EN 12184 including EN 1021-1/-2. It was also tested successfully according to EN60529 IPX4 as to its resistance to spray water, and is therefore well suited for typical middle European weather conditions. When equipped with an appropriate lighting system, the vehicle is suitable for use on public roads.

1.4 Indications

The use of this mobility product is recommended for the following indications:

The inability or a greatly restricted ability to walk within the scope of the basic requirement to be able to move within one's own four walls. The need to leave the dwelling place in order to get some fresh air during a short walk or to reach those places generally to be found at close distance to the dwelling and where everyday business is carried out.

Provision of power wheelchairs for interior and exterior areas is advisable if the use of hand-operated wheelchairs is no longer possible on account of the disability, yet proper operation of an electromotive drive unit is still practicable.

1.5 Usability

Only use a power wheelchair when it is in perfect working order. Otherwise, you might put yourself and others at risk.

The following list does not claim to be exhaustive. It is only intended to show some of the situations that could affect the usability of your power wheelchair.

In certain situations, you should immediately stop using your wheelchair. Other situations allow you to use the wheelchair to get to your dealer.

- You should immediately stop using your power wheelchair if its usability is restricted due to:
 - brake failure
- You should immediately contact an authorised Invacare® dealer if the usability of your power wheelchair is restricted due to:
 - the lighting system failing or being defective
 - reflectors falling off
 - worn thread or insufficient tyre pressure
 - damage to the armrests (e.g. torn armrest padding)
 - damage to the legrest hangers (e.g. missing or torn heel loops)
 - damage to the postural belt
 - damage to the joystick (joystick cannot be moved into the neutral position)
 - cables that are damaged, kinked, pinched or have come loose from the holder
 - the wheelchair drifting when braking
 - the wheelchair pulling to one side when moving

- unusual sounds developing or occurring

Or if you have the feeling that something is wrong with your wheelchair.

1.6 Warranty

The terms and conditions of the warranty are part of the general terms and conditions particular to the individual countries in which this product is sold.

1.7 Life expectancy

We estimate a life expectancy of five years for this product, provided it is used in strict accordance with the intended use as set out in this document and all maintenance and service requirements are met. The estimated life expectancy can be exceeded if the product is carefully used and properly maintained, and provided technical and scientific advances do not result in technical limitations. The life expectancy can also be considerably reduced by extreme or incorrect usage. The fact that we estimate a life expectancy for this product does not constitute an additional warranty.

2 Safety notes



READ WELL BEFORE OPERATION!

2.1 General safety notes



Danger of injury if mobility device is used in any other way than the purpose described in this manual!

- *Only ever use the mobility device in accordance with the instructions in this User's Manual (see chapter "Type classification and permissible use" on page 16).*
- *Pay strict attention to the safety information.*

Danger of injury if the mobility device is driven when ability to operate a vehicle is impaired by medication or alcohol!

- *Never drive the mobility device under the influence of medication or alcohol. If necessary, the mobility device must be operated by an attendant who is physically and mentally able.*

Danger of damage or injury if mobility device is accidentally set into motion!

- *Switch the mobility device off before you get in, get out or handle unwieldy objects.*
 - *When the drive is disengaged, the brake inside the drive is deactivated. For this reason, pushing the mobility device by an attendant is only recommended on flat surfaces, never on gradients. Never leave your mobility device on a gradient with its motors disengaged. Always re-engage the motors immediately after pushing the mobility device (see chapter "Pushing the wheelchair in freewheel mode" on page 35).*
-



Danger of injury if the mobility device is switched off while driving, for example by pressing the On/Off Button or disconnecting a cable, due to it coming to an abrupt, sharp stop!

- *If you have to brake in an emergency, simply release the joystick which will bring you to a halt. (refer to the joystick operating manual for more information).*

Danger of injury when transferring mobility device to a vehicle for transport with the occupant seated in it!

- *It is always better to transfer the mobility device to a vehicle without the occupant seated in it.*
- *If the mobility device needs to be loaded up a ramp together with its driver, ensure that the ramp does not exceed the maximum safe slope (see chapter "Technical specifications" from page 125).*
- *If the mobility device does need to be loaded using a ramp which exceeds the maximum safe slope (see chapter "Technical specifications" from page 125), then you must use a winch. An attendant can safely monitor and assist the loading process.*
- *As an alternative you can use a platform lift. Ensure that the total weight of the mobility device including the user does not exceed the maximum permissible weight for the platform lift or winch if you are using.*

Danger of injury if maximum permissible load is exceeded!

- *Do not exceed the maximum permissible load (see chapter "Technical specifications" from page 125).*
 - *The mobility device is only designed for use by a single occupant whose maximum weight does not exceed the maximum permissible load of the device. Never use the mobility device to transport more than one person.*
-



Danger of injury due to wrong lifting or dropping of heavy components!

- *When maintaining, servicing or lifting any part of your mobility device, take into account the weight of the individual components especially the batteries. Be sure at all times to adopt the correct lifting posture and ask for assistance if necessary.*

Danger of falling out of the mobility device.

- *Do not slide forward on the seat, do not lean forward between your knees, do not lean backwards out over the top of the backrest, for example to reach an object.*
- *If a posture belt is installed, it should be correctly adjusted and used each time you use the mobility device.*
- *When transferring to a different seat, position the mobility device as close as possible to the new seat.*

Danger of injury by moving parts!

- *Make sure that no injury is incurred by moving parts of the mobility device, like wheels or one of the Lifter Modules (if fitted), especially when children are around.*

Risk of injury from hot surfaces!

- *Do not leave the wheelchair in direct sunlight for prolonged periods. Metal parts and surfaces such as the seat and armrests can become very hot.*

Danger of fire or breaking down due to electric devices being connected!

- *Do not connect any electric devices to your mobility device that are not expressly certified by Invacare® for this purpose. Have all electrical installations done by your authorised Invacare® Dealer.*
-

2.2 Safety information with regard to care and maintenance



Danger of accident and loss of guarantee if maintenance is insufficient!

- *For reasons of safety and in order to avoid accidents which result from unnoticed wear, it is important that this electric mobility product undergoes an inspection once every year under normal operating conditions (see inspection plan contained in service instructions).*
 - *Under difficult operating conditions such as daily travel on steep slopes, or in the case of use in medical care cases with frequently changing wheelchair users, it would be expedient to carry out intermediate checks on the brakes, accessories and running gear.*
 - *If the mobility product is to be operated on public roads, the vehicle driver is responsible for ensuring that it is in an operationally reliable condition. Inadequate or neglected care and maintenance of the mobility product will result in a limitation of the manufacturer's liability.*
-

2.3 Safety information on electromagnetic interference

This electric vehicle was successfully tested in accordance with International standards as to its compliance with Electromagnetic Interference (EMI) regulations. However, electromagnetic fields, such as those generated by radio and television transmitters, and cellular phones can influence the functions of electric vehicles. Also, the electronics used in our vehicles can generate a low level of electromagnetic interference, which however will remain within the tolerance permitted by law. For these reasons we ask you to please observe the following precautions:



WARNING: Danger of malfunction due to electromagnetic interference!

- *Do not switch on or operate portable transceivers or communication devices (such as radio transceivers or cellular phones) when the vehicle is switched on.*
 - *Avoid getting near strong radio and television transmitters.*
 - *In case the vehicle should be set in motion unintentionally or the brakes are released, switch it off immediately.*
 - *Adding electrical accessories and other components or modifying the vehicle in any way can make it susceptible to electromagnetic interference. Keep in mind that there is no sure way to determine the effect such modifications will have on the overall immunity of the electronic system.*
 - *Report all occurrences of unintentional movement of the vehicle, or release of the electric brakes to the manufacturer.*
-

2.4 Safety information on driving and freewheel mode



Danger of injury if the wheelchair tips over!

- *Inclines and declines can only be travelled up to the maximum safe slope (see chapter "Technical specifications" from page 125).*
 - *Always return the backrest of your seat or the seat tilt to an upright position before ascending slopes. We recommend that you position the seat backrest and the seat tilt (if fitted) slightly to the rear before descending slopes.*
 - *Only ever drive downhill at a maximum of 2/3 of the top speed. Avoid abrupt braking or accelerating on gradients.*
 - *If at all possible, avoid driving on slippery surfaces (such as snow, gravel, ice etc.) where there is a danger of you losing control over the vehicle, especially on a gradient. If driving on such a surface is inevitable, then always drive slowly and with the utmost caution.*
 - *Never attempt to overcome an obstacle when on an uphill or downhill gradient.*
 - *Never attempt to drive up or down a flight of steps with your wheelchair.*
 - *When overcoming obstacles, always observe the maximum obstacle height (see chapter "Technical specifications" from page 125 and information about overcoming obstacles in chapter "Taking Obstacles" from page 32).*
 - *Avoid shifting your centre of gravity as well as abrupt joystick movements and changes of direction when the wheelchair is in motion.*
 - *Never use the wheelchair to transport more than one person.*
 - *Do not exceed the overall maximum permissible load or the maximum load per axle (see chapter "Technical specifications" on page 125).*
 - *Note that the wheelchair will brake or accelerate if you change the Driving Mode whilst the wheelchair is in motion.*
-



Danger of breaking down in adverse weather conditions, i.e. extreme cold, in an isolated area!

- *If you are a user with severely limited mobility, we advise that in the case of adverse weather conditions DO NOT attempt a journey without an accompanying attendant!*

Danger of injury if your foot slides off the footrest and gets caught underneath the wheelchair when it is in motion!

- *Make sure each time before you drive the wheelchair that your feet are squarely and securely in place on the footplates, and that both legrests are properly locked into place.*

Danger of injury if you collide with an obstacle when driving through narrow passages such as doorways and entrances!

- *Drive through narrow passages in the lowest driving mode and with due caution.*

If your power wheelchair has been fitted with angle-adjustable legrests, there is a danger of personal injury and damage to the wheelchair if you drive the wheelchair with the legrests raised!

- *To avoid unwanted displacement of the wheelchair centre of gravity to the front (especially when travelling downhill) and in order to avoid damage to the wheelchair, angle-adjustable legrests must always be lowered during normal travelling.*
-



CAUTION: Danger of tipping! Anti tip wheels (stabilisers) are only effective on firm ground! They sink in on soft ground such as grass, snow or mud if the mobility device rests itself on them. They lose their effect and the mobility device can tip over.

- *Only drive with extreme care on soft ground, especially during uphill and downhill journeys. In the process pay increased attention to the tip stability of the mobility device.*
-

2.5 Safety information regarding changes and modifications to the mobility device



CE marking of the wheelchair

The conformity assessment/ CE marking was carried out in accordance with Directive 93/42 EEC / MPG (Medical Devices Act) and only applies to the complete product.

The CE marking is invalidated if components or accessories are replaced or added that have not been approved for this product by Invacare.

In this case, the company that adds or replaces the components or accessories is responsible for the conformity assessment/ CE marking or for registering the wheelchair as a special design and for the relevant documentation.



CAUTION: Danger of injuries and damage to mobility aid due to unapproved components and accessory parts!

Seating systems, additions and accessory parts which have not been approved by Invacare® for use with this mobility aid can affect the tipping stability and increase tipping hazards!

- *Only ever use seating systems, additions and accessory parts which have been approved by Invacare® for this mobility aid!*

Seating systems which are not approved by Invacare® for use with this power wheelchair do not, under certain circumstances, comply with the valid standards and could increase the flammability and the risk of skin irritation.

- *Only use seating systems that have been approved by Invacare® for this power wheelchair.*

Electrical and electronic components which have not been approved by Invacare® for use with this mobility aid can cause fire hazards and lead to electromagnetic damage!

- *Only ever use electrical and electronic components which have been approved by Invacare® for this mobility aid!*

Batteries which have not been approved by Invacare® for use with this mobility aid can cause chemical burns!

- *Only ever use batteries which have been approved by Invacare® for this mobility aid!*
-

3 Key features

- 1) Push handle
- 2) Fastening screw for adjusting the height of the armrest
- 3) Fastening screw for adjusting the angle of the backrest
- 4) Decoupling lever
- 5) Remote
- 6) Legrest release lever



4 Getting in and out of the wheelchair



Important information for getting into and out of the wheelchair from the side!
The armrest must be removed in order to get into or out of the wheelchair from the side.

4.1 Remove the standard armrest in order to side transfer

Removing the armrest:

- Loosen the fastening screw (1).
- Pull the side section out of the receptacle.



Getting into the wheelchair:

- Position your wheelchair as close as possible to your seat. This might have to be done by an attendant.
- Switch your wheelchair off.
- Apply the manual wheel lock of your wheelchair (if existing).
- Detach the skirt guard of your wheelchair or swivel it up.
- Now slide into the wheelchair.



Getting out of the wheelchair:

- Drive your wheelchair as close as possible to your seat.
- Switch your wheelchair off.
- Apply the manual wheel lock of your wheelchair (if existing).
- Detach the skirt guard of your wheelchair or swivel it up.
- Now slide onto your new seat.



NOTE:

If you do not have sufficient muscle strength, you should ask other persons for help. Use a sliding board, if possible.

5 Driving



NOTE

The maximum load capacity that is stated in the technical data only states that the system is designed for this mass in total. However, this does not mean that one can sit a person with this body weight in the wheelchair without restrictions. Attention must be paid to the body proportions, such as height, weight distribution, abdominal girth, leg and calf girth and seat depth. These factors have a strong influence on driving features such as tilt stability and traction. The permissible axle loads in particular must be adhered to (see chapter "**Technical specifications**" as from page 125)! It may possibly be necessary to carry out adaptations to the seat system.

5.1 Before driving for the first time...

Before you take your first trip, you should familiarise yourself well with the operation of the vehicle and with all operating elements. Take your time to test all functions and driving modes.



NOTE:

If installed, make sure to properly adjust and use the postural belt each time you use the wheelchair.

Sitting Comfortably = Driving Safely

Before each trip, make sure that:

- **You are within easy reach of all operating controls.**
- **The battery charge is sufficient for the distance intended to be covered.**
- **The postural belt (if installed) is in perfect order.**

- The rear mirror (if installed) is adjusted so you can look behind at all times without having to bend forward or shift your seating position.

5.2 Taking Obstacles

5.2.1 Maximum obstacle height

You can find information about maximum obstacle heights in the chapter entitled "**Technical specifications**" from page 125.

5.2.2 Safety information when ascending obstacles



CAUTION: Danger of Tipping Over!

- *Never approach obstacles at an angle but at 90 degrees as shown below.*
 - *Put your backrest into an upright position before climbing an obstacle.*
-



ATTENTION: Risk of falling out of the chair and damage to the power wheelchair such as broken castors!

- *Never approach obstacles that are higher than the maximum climbable obstacle height. For the maximum climbable obstacle height, see "Technical specifications" on page 125.*
 - *If unsure whether the kerb climb is possible or not, move away from the obstacle and if possible find another location.*
-

5.2.3 The correct way to overcome obstacles

Ascending

- Approach the obstacle or the kerb slowly, head-on and at a right angle.
- Depending on the wheel drive type, stop in one of the following positions:
 - In the case of centrally driven wheelchairs: 5 - 10 cm before the obstacle.
 - For all other drives: approx. 30 - 50 cm in front of the obstacle.
- Check the position of the front wheels. They must be in driving direction and at right angles to the obstacle.
- Approach slowly and keep at a consistent speed until the rear wheels have also passed over the obstacle.

Descending

The approach to descend an obstacle is the same as to ascend it with the difference that you need not stop before descending.

- Descend the obstacle very slowly.

Right



Wrong



5.3 Driving up and down gradients

For information concerning the maximum safe slope, please see chapter "**Technical specifications**" starting on page 125.



WARNING: Danger of tipping over!

- *Only ever drive downhill at a maximum of 2/3 of the top speed. Avoid sudden changes of direction or abrupt braking when driving on slopes.*
 - *Always return the backrest of your seat or the seat tilt (if adjustable seat tilt is available) to an upright position before ascending slopes. We recommend that you position the seat backrest or the seat tilt slightly to the rear before descending slopes.*
 - *Always lower the lifter (if fitted) to its lowest position before ascending or descending a slope.*
 - *Never attempt to ascend or descend a slope on slippery surfaces or where there is a danger of skidding (such as wet pavement, ice etc).*
 - *Avoid trying to get out of the vehicle on an incline or a gradient.*
 - *Always drive straight in the direction the road or path you are on goes, rather than attempting to zigzag.*
 - *Never attempt to turn around on an incline or a slope.*
-

5.4 Parking and stationary

When parking your vehicle or if your vehicle is stationary for a prolonged period:

- Switch the vehicle's power system off (ON-/OFF key).
- Activate your anti-theft lock, if existing.

5.5 Use on public roads

If you wish to use your wheelchair on public roads and lighting is required by national legislation, then your wheelchair needs to be equipped with an appropriate lighting system.

Please contact your Invacare ® dealer if you have any questions.

6 Pushing the wheelchair in freewheel mode

The motors of the wheelchair are equipped with automatic brakes, preventing that the wheelchair starts rolling out of control when the joystick box is switched off. When pushing the wheelchair manually whilst freewheeling, the magnetic brakes must be disengaged.

6.1 Disengaging Motors



Danger of the vehicle running away!

- *When the motors are disengaged (for push operation whilst freewheeling), the electromagnetic motor brakes are deactivated! When the vehicle is parked, the levers for engaging and disengaging the motors must without fail be locked firmly into the "DRIVE" position (electromagnetic motor brakes activated)!*
-



NOTE:

The wheelchair disengaging mechanism is fitted with a gas pressure spring which prevents overloading the disengager. When the drive wheels are under torque load - for example if the wheelchair is on an incline - the gas pressure spring is activated. When the engaging lever is pressed forwards it does not remain in the "Pushed" position, but moves automatically back to the "Drive" position. To disengage the drive, the drive wheels must be unloaded by moving the wheelchair slightly forwards and backwards again.



NOTE:

The motors may only be disengaged by an attendant, not by the user!

This ensures that the motors are only disengaged if an attendant is available to secure the wheelchair and prevent unintended rolling.

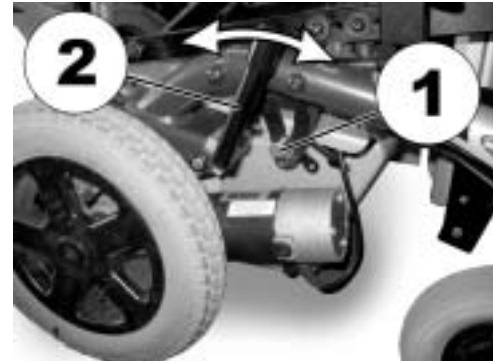
The lever for disengaging the motors is on the rear right side on the wheelchair chassis.

Disengaging motors:

- Switch off remote.
- Withdraw the locking pin (1). Push the engaging lever (2) forwards. If necessary, move the wheelchair slightly forwards and backwards during disengaging. The motors are now disengaged.

Re-engaging motors

- Pull the engaging lever (2) to the rear. The motors are now re-engaged.



7 Remotes

Your wheelchair may be equipped with one of several different remotes. For information on the different functions and how to operate a particular remote, please see its corresponding User Manual (enclosed).

8 Adjusting the wheelchair to the user's seating posture



CAUTION: Damage to wheelchair and accident hazard! It is possible that collisions can occur between wheelchair components due to various combinations of adjustment options and their individual settings!

- *The wheelchair is fitted with an individual, multiply adjustable seating system including adjustable legrests, armrests, a headrest or other options. These adjustment options are described in the following chapters. They are used to adapt the seat to the physical requirements and the condition of the user. When adapting the seating system and the seat functions to the user, ensure that no wheelchair components collide.*
-



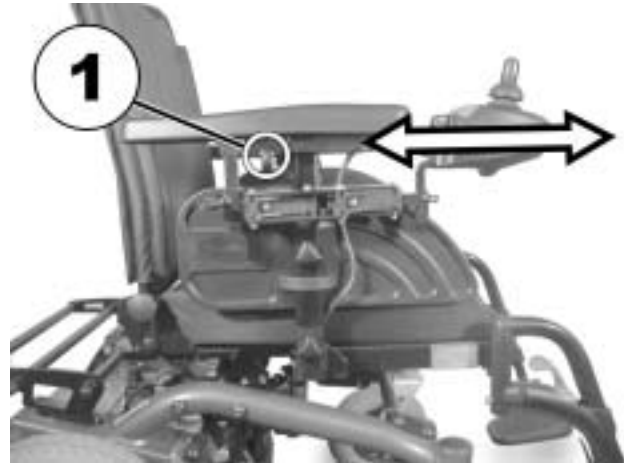
Note

Initial setup should always be done by a healthcare professional. Adjustment by the user is only recommended after they have been given appropriate guidance by the healthcare professional.

8.1 Adjusting the armrests and the control panel

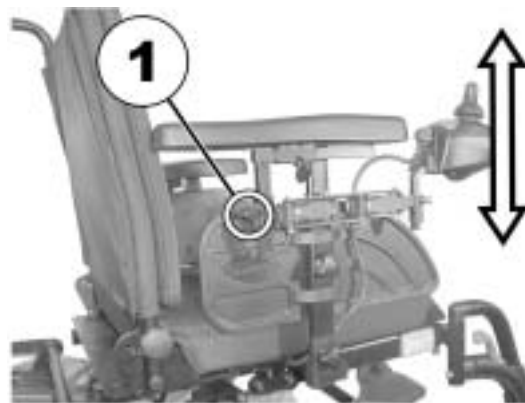
8.1.1 Adapting the control panel to the length of the user's arm

- Loosen the wing screw (1).
- Set the remote to the desired length by adjusting forward or backward.
- Re-tighten the screw.



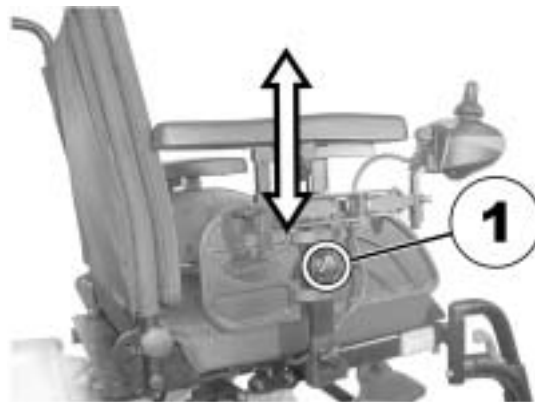
8.1.2 Setting the height of the remote

- Loosen the wing screw (1).
- Set the remote to the desired height.
- Re-tighten the screw.



8.1.3 Setting the height of the armrests

- Loosen the wing screw (1).
- Set the armrest to the desired height.
- Re-tighten wing screw.



8.1.4 Adjusting the width of the armrests

The distance between the side sections can be adjusted by 5.5 cm on both sides (11 cm in total).

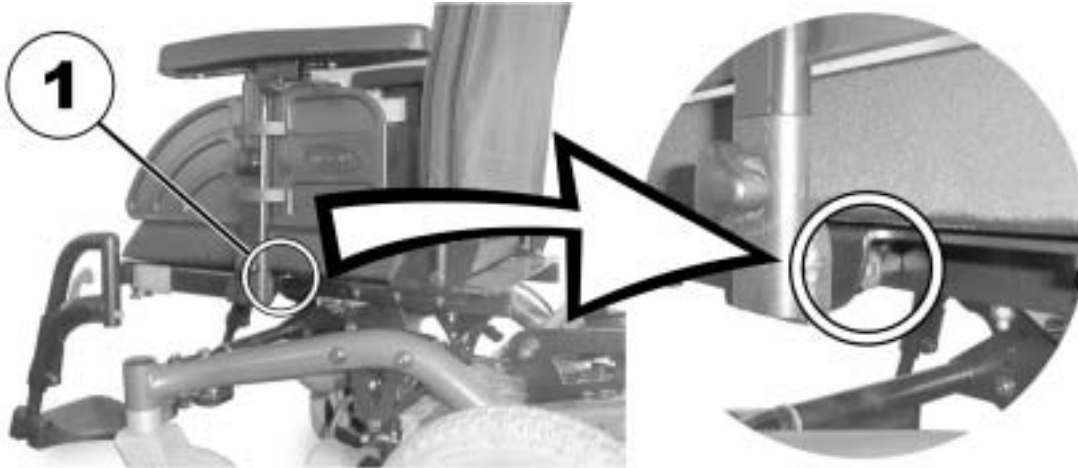


Requirements:

- Allen key 8 mm
-

Where to find the adjustment screws

The picture below shows the position of the screws (1) that enable adjustment of the width of the armrests.



Doing the adjustment

- Loosen the screw (1).
- Set the armrest to the desired position.
- Re-tighten the screw.
- Check the firm fit of the armrest.
- Repeat the procedure for the second armrest.



8.2 Adjusting the seat angle / seat height

8.2.1 Manual adjustment using perforated plates

There are three perforated plates underneath the seat for adjusting the seat angle and the seat height. These perforated plates in connection with the adjustable rear holding plates result in a multitude of different setting possibilities.

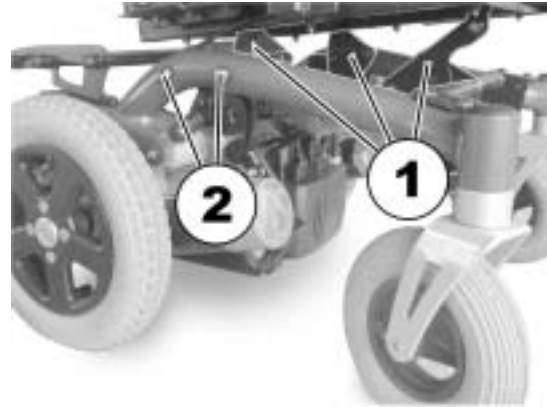
The adjustment range of the seat height is 42.5 cm to 50 cm. The adjustment range of the seat angle is 22°. Please note: The higher the seat setting, the smaller the adjustment range of the seat angle!



Requirements:

- Allen key 5 mm
 - Allen key 6 mm
 - Jaw spanner 13 mm
 - Torque wrench
 - Loctite medium-hard
-

- The picture on the right shows the position of the perforated plates (1) and the fastening screws on the holding plates (2) for adjusting seat height and seat angle.



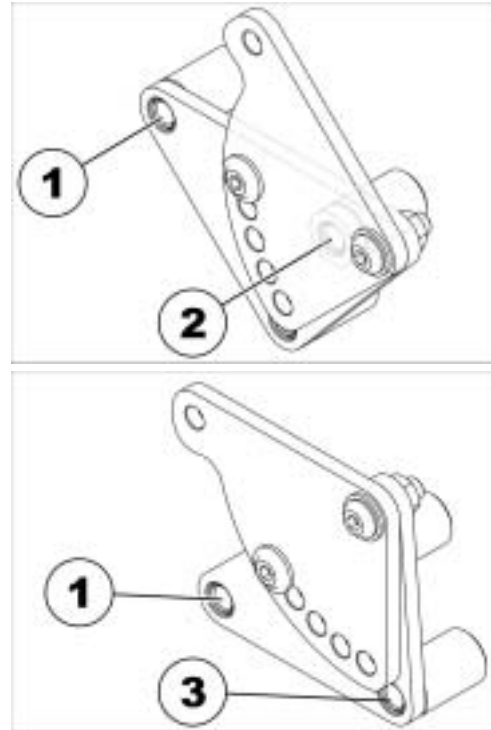
The picture on the right shows the front perforated plates. The approach is similar for the rear perforated plates. To adjust the front perforated plates a 13 mm open-ended spanner is required in addition to the 5 mm Allen key.

- To adjust seat height/seat angle loosen the screw using the spanner and remove.
- Set the perforated plates to the desired height/angle.
- Apply Loctite to the screw, re-insert the screw and tighten to 40 Nm using the spanner.



Seat height and angle can be adjusted additionally via the rear holding plates.

- Loosen the rear fastening screw on one side (in bushing 1) so that the holding plate can be swivelled up or down.
- Loosen the front fastening screw and remove (depending on the position the screw is either in bushing 2 or 3).
- Repeat the procedure on the other side.
- Low setting = Hole combination 1 and 2.
- High setting = Hole combination 1 and 3.
- Apply the Loctite to the screw, reposition the screws and tighten to 25 Nm +/- 3 Nm.



The swivelling rear perforated plates have five positions. These are marked on the illustration on the right by the letters A to E.

If the holding plates are in the low position (see above), all five positions can be used. In the high position only positions B, C, D and E are possible! In position A there is a collision between the holding plate and the seat frame.

This results in the following seat heights:

Holding plate in the low position:

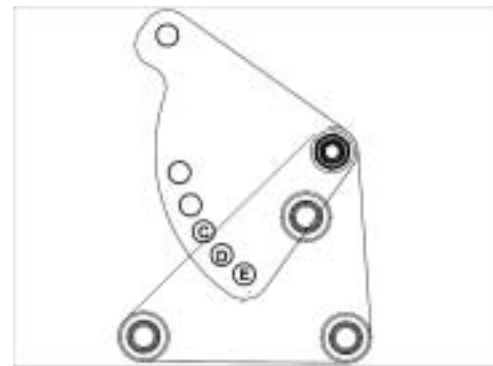
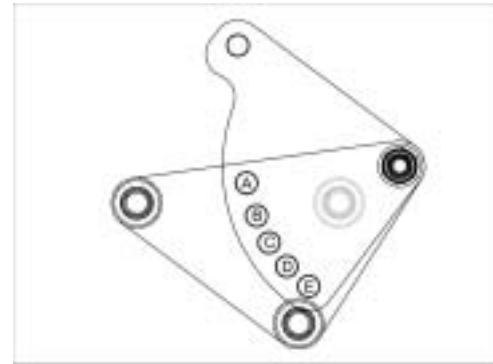
Position of the perforated plate / seat height:

- A / 42.5 cm
- B / 44 cm
- C / 44 cm
- D / 45 cm
- E / 45.5 cm

Holding plate in the high position:

Position of the perforated plate / seat height:

- B / 49 cm (at 6° seat tilt)
- C / 47 cm
- D / 48 cm
- E / 50 cm



8.2.2 Electric adjustment in the front / perforated plate in the rear

Please consult the user manual for your remote for information about electrical adjustment.

In addition to the electric actuator under the seat in the front, the Dragon with electric seat tilt also has two manual adjustment plates in the rear. When combined, the electric seat tilt in the front and the manual adjustment in the rear provide a wide range of possible settings.

The total seat tilt adjustment range is from $-4,5^{\circ}$ to $+25,5^{\circ}$. The ability to set a negative can be very useful as an aid in getting out of the wheelchair.



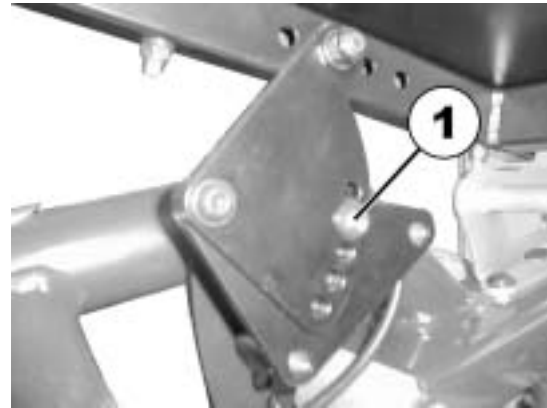
Requirements:

- Allen key 5 mm
 - Open-end spanner 13 mm
 - Torque spanner
-

- The picture at right shows the position of the perforated adjustment plates (1) and of the electric actuator (2) that allow adjustment of seat height and seat tilt.

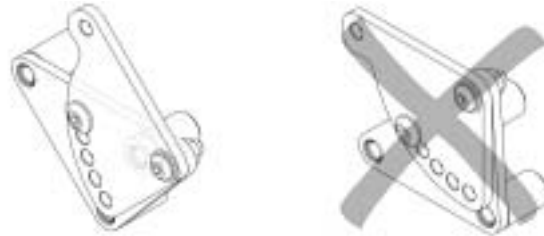


- To adjust the seat height / seat tilt, use the Allen key 5 mm and the open-end spanner 13 mm to loosen and remove the bolt (1).
- Adjust the perforated plate to the desired height/angle.
- Re-position the bolt and tighten to 40 Nm using the torque spanner.

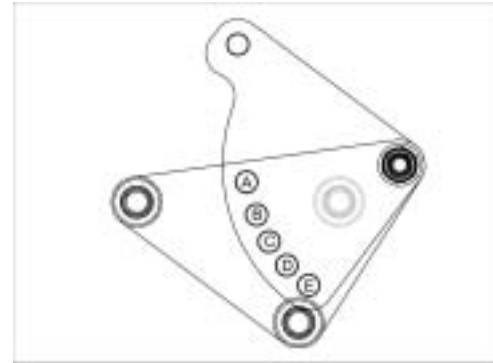


On the Dragon with purely manual seat height and tilt adjustment, the rear fixation plates can be adjusted to two different positions, high and low.

The Dragon with electric adjustment only allows for the low position! If the fixation plates are set to the high position, then the electric seat tilt actuator will collide with the frame of the wheelchair!



The adjustable perforated plates in the rear can be set to five different positions. These are shown in illustration at right, and are designated with the letters A to E.



The following seat heights and seat tilt adjustment ranges are possible:

Position of the perforated plate	Seat height at 0° seat tilt (Actual seat tilt given in parenthesis, if 0° is not possible)	Adjustment range of seat tilt
A	46.5 cm (+5.5°)	+5.5° ... +25.5°
B	45.5 cm (+2.5°)	+2.5° ... +22°
C	44.5 cm	0° ... +19°
D	45 cm	-3 ° ... +16°
E	45.5 cm	-4.5° ... +14°

8.3 Adjusting the backrest

8.3.1 Adjusting the backrest electrically

The electrically actuated backrest can be adjusted continuously between +2° and +22°. Adjustment is done via the remote. Please refer to the remote manual for more information.

8.3.2 Set backrest using perforated plate

The angle of the backrest has six positions, from -10° to +30°.

- Unscrew the hand screws (1) on both sides.
- The backrest is adjusted by choosing a combination of one of the two drill holes in the backrest frame and one of the six drill holes in the fixing plate.
- Re-position the screws and tighten.



8.3.3 Adjusting the backrest using the gas pressure spring

The lever for adjusting the backrest is located on the opposite side from the Joystick Box under the armrest.

Adjusting angle of the backrest

- Pull lever (1) upward.
- Adjust backrest angle by leaning forward or backward.
- Release the lever again. The backrest is locked at the desired angle.



NOTE

If the lever is pulled upwards and inwards at the same time, it will latch into a notch at the top. Push the lever out of the notch to release it, and allow it to be moved down again.

8.4 Adjusting the headrest



CAUTION: Injury hazard during use of the mobility aid as a vehicle seat if a headrest is wrongly adjusted or not installed! This can cause the neck to be hyperextended during collisions!

- *A headrest must be installed! The headrest optionally supplied for this mobility device by Invacare® is perfectly suitable for use during transport.*
- *The headrest must be adjusted to the user's ear height.*



8.4.1 Adjusting the position of the headrest or neckrest

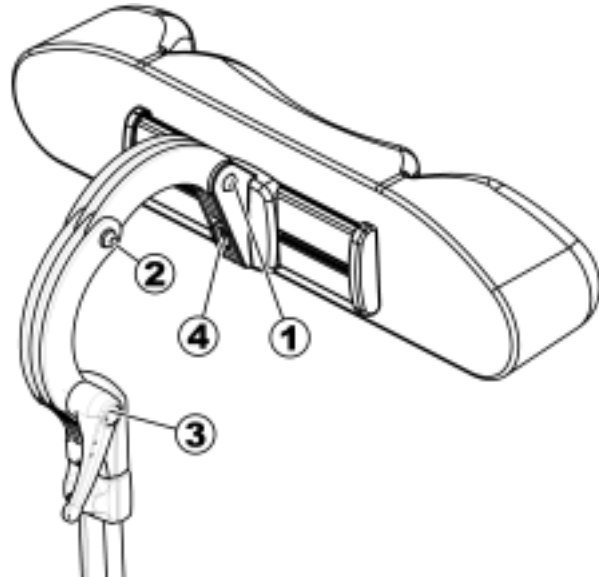
The adjustment of the position is the same for all headrests and neckrests.



Pre-requisites:

- Allen key 5 mm
-

- Loosen the screws (1, 2) or the clamping lever (3).
- Adjust the headrest or neckrest to the required position.
- Retighten screws and clamping lever.
- Loosen the Allen screw (4).
- Slide the headrest left or right to the required position.
- Retighten the Allen screw.



8.4.2 Adjusting the height of the headrest or neckrest

The adjustment of the height is the same for all headrests and neckrests.

- Loosen the thumb screw (1).
- Adjust the headrest or neckrest to the required height.
- Retighten thumb screw.



8.4.3 Adjusting the cheek supports

- Push the cheek supports inward or pull them out to the required position.



8.5 Legrests

8.5.1 Standard legrests

8.5.1.1 Swivel the legrest outward and/or remove

The small release lever is to be found in the upper part of the legrest (1). When the legrest is released it can be swivelled inward or outward to facilitate access and also be removed completely.



- Push the release lever inward or outward. The legrest is released.
- Swivel the legrest inward or outward.
- To remove the legrest simply pull upward.



8.5.1.2 Adjusting the length



Pre-requisites:

- 1x 5 mm hexagon socket spanner
-
- Loosen the screw (1) using the Allen key, but do not remove completely.
 - Set the legrest to the desired length.
 - Re-tighten the screw.



8.5.2 Vari-A legrests

8.5.2.1 Swivelling the legrest outward and/or removing

The small unlocking button is located on the upper section of the legrest. When the legrest is unlocked, it can be swivelled inward or outward when getting into wheelchair as well as being removed completely.

- Press the unlocking button (1) and swivel the legrest outward.
- Remove the legrest in an upward direction.



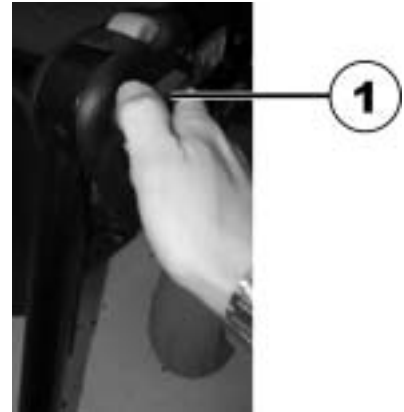
8.5.2.2 Setting the angle



PLEASE NOTE: Danger of injury due to incorrect adjustment of the footrests and legrests.

- *Before and during every journey it is imperative to ensure that the legrests contact neither the castor wheels nor the ground!*
-

- Loosen the locking knob (1) counter-clockwise at least one turn.



- Hit the knob to release the locking mechanism.



- Set the desired angle.



- Turn the knob clockwise to tighten it.



8.5.2.3 Setting the end stop of the legrest



Pre-requisites:

- 1x 10 mm open-ended spanner
-

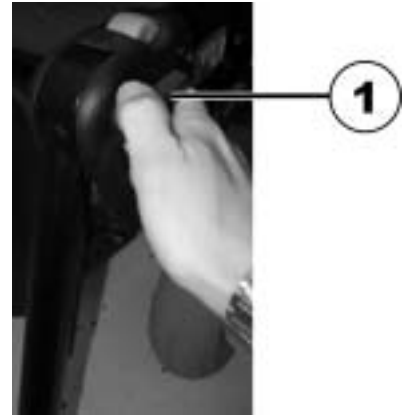
The end position of the legrest is determined by means of a rubber stop (A).



The rubber stop can be screwed in or out (A) or pushed up or down (B).



- Loosen the locking knob (1) counter-clockwise at least one turn.



- Hit the knob to release the locking mechanism.



- Swivel the legrest upward in order to access the rubber stop.



- Use the open-ended spanner to loosen the counternut (1).



- Move the rubber stop to the desired position
- Re-tighten the counternut



- Move the legrest to the desired position.
- Re-tighten the locking knob.



8.5.2.4 Adjusting the length of the legrest



PLEASE NOTE: Danger of injury due to incorrect adjustment of the footrests and legrests.

- *Before and during every journey it is imperative to ensure that the legrests contact neither the castor wheels nor the ground!*
-



Pre-requisites:

- 1x 6 mm Allen key
-

- Use the spanner to loosen the screw (1).
- Adjust to the desired length.
- Re-tighten the screw.



8.5.2.5 Adjusting the depth of the calf plate

The depth of the calf plate can be adjusted via the holding plate. The holding plate hole combinations allow 5 different depth settings.



Pre-requisites:

- 1x 10 mm open-ended spanner
-

- Use the open-ended wrench to loosen the nut (1) and remove.
- Adjust to the desired depth. Please observe that the round holes are intended for the calf plate retaining screw and the oblong holes for the aglet without thread.
- Screw the nut back on and tighten.



8.5.2.6 Adjusting the height of the calf pad



Pre-requisites:

- 1x 4 mm Allen key
-

- Use the Allen key to loosen the screws (1).
- Adjust to the desired position.
- Re-tighten the screws.



8.5.2.7 Unlocking and swivelling the calf plate backward when alighting

- Press the calf plate straight down.



- Unlock the legrest and swivel outward. The calf plate swivels backward on its own.



- Lift leg over the heel strap and place on the ground.



8.5.2.8 Adjusting the angle adjustable foot plate



Pre-requisites:

- 1x 5 mm Allen key
-

- Use the Allen key to loosen both set screws on the foot plate.
- Adjust to the desired angle.
- Re-tighten the screws.



8.5.2.9 Adjusting the angle and depth adjustable foot plate



Pre-requisites:

- 1x 5 mm Allen key
-
- Use the Allen key to loosen the set screw on the foot plate (1).
 - Adjust the foot plate to the desired angle or depth.
 - Re-tighten the screw.



8.5.3 Electrically height adjustable legrest 80° - 0° with ergonomic length adjustment

8.5.3.1 Swivelling the legrest outward and/or removing

The small unlocking button is located on the upper section of the legrest. When the legrest is unlocked, it can be swivelled inward or outward when getting into wheelchair as well as being removed completely.

- Press the unlocking button (1) and swivel the legrest outward.
- Remove the legrest in an upward direction.



8.5.3.2 Setting the angle



PLEASE NOTE: Danger of crushing!

- *Do not reach inside the swivelling range of the legrest!*
-



PLEASE NOTE: Danger of injury due to incorrect adjustment of the footrests and legrests.

- *Before and during every journey it is imperative to ensure that the legrests contact neither the castor wheels nor the ground!*
-

The electrically height adjustable legrest is operated via the remote. Please refer to the remote manual for more information.

8.5.3.3 Adjusting the length of the legrest



PLEASE NOTE: Danger of injury due to incorrect adjustment of the footrests and legrests.

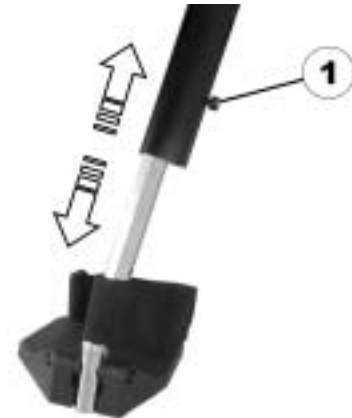
- *Before and during every journey it is imperative to ensure that the legrests contact neither the castor wheels nor the ground!*
-



Pre-requisites:

- 1x 10 mm open-ended spanner
-

- Use the spanner to loosen the screw (1).
- Adjust to the desired length.
- Re-tighten the screw.



8.5.3.4 Adjusting the depth of the calf plate

The depth of the calf plate can be adjusted via the holding plate. The holding plate hole combinations allow 5 different depth settings.



Pre-requisites:

- 1x 10 mm open-ended spanner
-

- Use the open-ended wrench to loosen the nut (1) and remove.
- Adjust to the desired depth. Please observe that the round holes are intended for the calf plate retaining screw and the oblong holes for the aglet without thread.
- Screw the nut back on and tighten.



8.5.3.5 Adjusting the height of the calf pad



Pre-requisites:

- 1x 4 mm Allen key
-
- Use the Allen key to loosen the screws (1).
 - Adjust to the desired position.
 - Re-tighten the screws.



8.5.3.6 Unlocking and swivelling the calf plate backward when alighting

- Press the calf plate straight down.



- Unlock the legrest and swivel outward. The calf plate swivels backward on its own.



- Lift leg over the heel strap and place on the ground.



8.5.3.7 Adjusting the angle adjustable foot plate



Pre-requisites:

- 1x 5 mm Allen key
-

- Use the Allen key to loosen both set screws on the foot plate.
- Adjust to the desired angle.
- Re-tighten the screws.



8.5.3.8 Adjusting the angle and depth adjustable foot plate



Pre-requisites:

- 1x 5 mm Allen key
-
- Use the Allen key to loosen the set screw on the foot plate (1).
 - Adjust the foot plate to the desired angle or depth.
 - Re-tighten the screw.

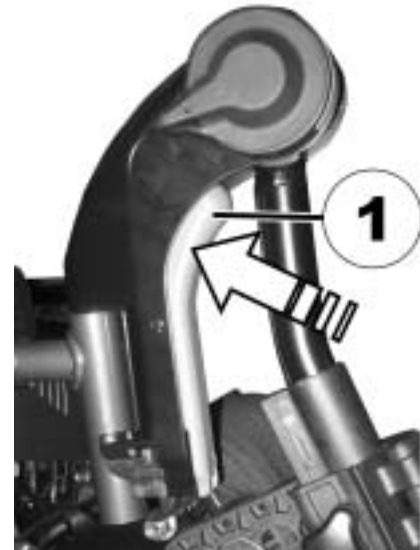


8.5.4 Manually height-adjustable legrest

8.5.4.1 Swivelling the legrest outward and/or removing

The unlocking knob is located on the top section of the legrests. When the legrest is unlocked, it can be swivelled to the inside or outside to facilitate getting in, or can be completely removed.

- Press the unlocking knob (1) and remove the legrests upwards.



8.5.4.2 Setting the angle



PLEASE NOTE: Danger of crushing!

- *Do not reach inside the swivelling range of the legrest!*
-



PLEASE NOTE: Danger of injury due to incorrect adjustment of the footrests and legrests.

- *Before and during every journey it is imperative to ensure that the legrests contact neither the castor wheels nor the ground!*
-

- Press the unlocking lever (1) down. Adjust the legrest to the required angle.
- Release the unlocking lever. The legrest engages.



8.5.4.3 Adjusting the length of the legrest



PLEASE NOTE: Danger of injury due to incorrect adjustment of the footrests and legrests.

- *Before and during every journey it is imperative to ensure that the legrests contact neither the castor wheels nor the ground!*
-



Pre-requisites:

- 1x 5 mm hexagon socket spanner
-

- Loosen bolt (1) with the Allen key.
- Adjust to required length.
- Retighten the screw.



8.5.4.4 Adjusting the depth of the calf plate

The calf support has four depth settings.



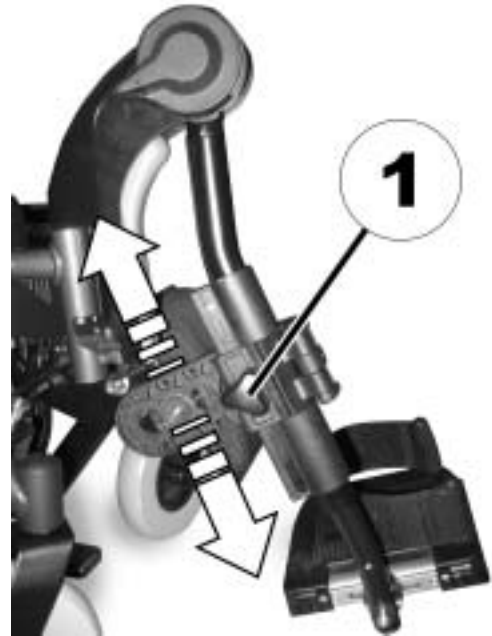
Pre-requisites:

- 1x 4 mm Allen key
-
- Swivel the calf support to the front.
 - Release bolt (1) with the Allen key and remove.
 - Set the nut on the other side to the required depth.
 - Adjust the calf support to match the depth of the nut, put the screw back in and tighten.



8.5.4.5 Adjusting the height of the calf pad

- Loosen the hand screw (1).
- Adjust to required position.
- Retighten the wing nuts.



8.6 Postural belts

A postural belt is an option which can either be fixed to the wheelchair ex-works or can be retrofitted by your specialist dealer. If your wheelchair is fitted with a postural belt, your specialist dealer will have informed you about fitting and usage.

The postural belt is used to help the wheelchair user keep an optimum sitting position. Correct use of the belt assists the user in sitting securely, comfortably and well-positioned in the wheelchair, especially for such users who do not have such a good sense of balance while sitting.



NOTE:

We recommend using the postural belt whenever the wheelchair is used. The belt should be tight enough to ensure that you are sitting comfortably and that your body is in the correct sitting position.

8.6.1 Types of postural belts

Your wheelchair can be fitted with the following postural belt types ex-works. If your wheelchair has been fitted with a different belt to those listed below, please ensure that you have received the manufacturer's documentation with regard to correct fitting and use.

Belt with metal buckle, adjustable one side

Belt can only be adjusted on one side which can result in the buckle not sitting centrally.



Belt with metal buckle, adjustable both sides

Belt can be adjusted on both sides. This means that the buckle can be centrally positioned.



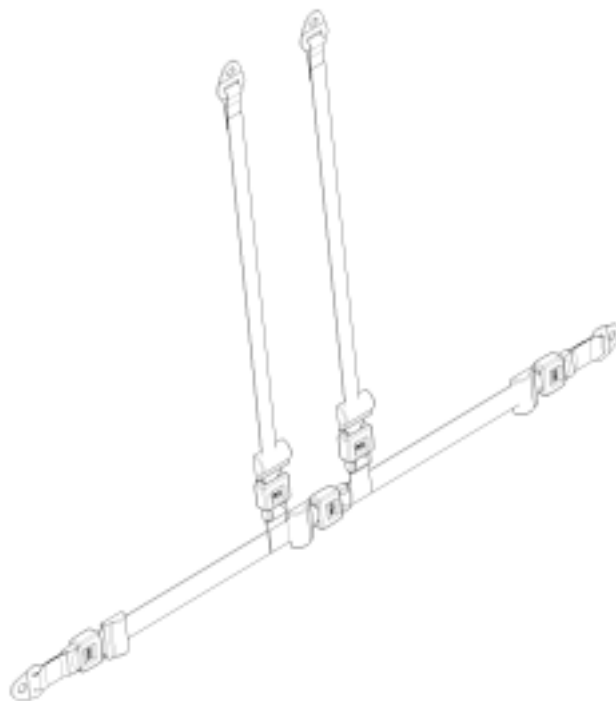
Belt with Velcro fastening

Adjustments are made using the Velcro fastening. For this reason no buckle is required on this belt.



Harness with metal buckle, adjustable on both sides

Harness can be adjusted on both sides. This ensures that the buckle is always centrally positioned.



8.6.2 Adjusting the postural belt correctly

- Ensure that you are sitting correctly, which means that you are sitting right at the back of the seat, your pelvis is positioned erect and as symmetrically as possible, not to the front, to the side or at one edge of the seat.
- Position the postural belt so that your hipbones can be easily felt above the belt.
- Adjust the belt length using one of the adjustment aids described above. The belt should be adjusted so that you can fit a flat hand between the belt and your body.
- The buckle should be positioned as centrally as possible. In doing so, please carry out adjustments on both sides as much as possible.
- Please check your belt every week to ensure that it is still in good working condition; to ensure it has no damage or wear, and that it is fixed properly to the wheelchair. If the belt is only fastened with a bolted connection, ensure that the connection has not loosened or undone. You can find more information about maintenance work on belts in the service manual, which is available from Invacare®.

8.7 Adjusting and removing the tray



CAUTION: Injury hazard or material damage if a power wheelchair which is fitted with a table is transported in a vehicle!

- *If a table is fitted, always remove it before transporting the wheelchair.*



8.7.1 Laterally adjusting the tray

- Loosen the wing-screw (1).
- Adjust the tray towards the left or right.
- Re-tighten wing-screw.



8.7.2 Adjusting the depth of the tray / removing the tray

- Loosen the wing-screw (1).
- Adjust the table to the desired depth (or remove it entirely).
- Re-tighten the screw.



8.7.3 Swinging the tray away to the side



CAUTION! Risk of injury! When the tray is raised it does not lock in place in this position!

- *Do not tilt the tray up and leave it leaning in this position.*
 - *Never attempt to drive with the tray tilted up.*
 - *Always lower the tray in a controlled manner.*
-

The tray can be swivelled upwards and pushed to the side as illustrated to enable getting on and off.



9 Electrical system

9.1 Electronics protection system

The vehicle's electronics are equipped with an overload-protection system.

If the motors are put under considerable strain for a longer period of time (for example, when driving up a steep hill) and especially when the ambient temperature is high, then the electronic system could overheat. In this case the vehicle's power is reduced gradually until it finally comes to a halt. The Status Display shows a corresponding error code (see chapter "Fehler! Verweisquelle konnte nicht gefunden werden." on page Fehler! Textmarke nicht definiert.). By switching the power supply off and back on again, the error code is cancelled and the electronics are switched back on. It will take approximately five minutes until the electronics have cooled down enough for the motors to restore full power again.

When the motors are stalled by an insurmountable obstacle, such as a high kerb, and the vehicle driver allows the motors to strain against this hindrance for more than 20 seconds without moving, then the electronics will automatically switch off to prevent the motors from being damaged. The Status Display shows a corresponding error code (see chapter "Fehler! Verweisquelle konnte nicht gefunden werden." on page Fehler! Textmarke nicht definiert.). By switching off and back on again, the error code is cancelled and the electronics are switched back on.

9.1.1 The main fuse

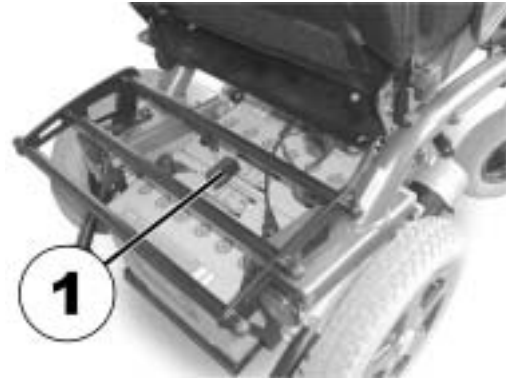


NOTE

A defective main fuse may be replaced only after checking the entire electric system. An Invacare® specialised dealer must perform the replacement. You can find information on the fuse type in chapter "**Technical specifications**" starting on page **125**.

The entire electric system of the wheelchair is protected by the main fuse against overloading.

The main fuse is to be found underneath the battery cover (1).



9.2 Batteries

Power is supplied by two 12 V batteries. The batteries are maintenance-free and only need regular charging.

In the following, you find information on how to charge, handle, transport, store, maintain, and use batteries.

9.2.1 Charging the batteries

9.2.1.1 General information on charging

New batteries should always be fully charged once before their first use. New batteries will be at their full capacity after having run through approx. 10 - 20 charging cycles (break-in period). This break-in period is necessary to fully activate the battery for maximum performance and longevity. Thus, range and running time of your mobility device could initially increase with use.

Gel/AGM lead acid batteries do not have a memory effect as NiCd batteries.

9.2.1.2 General instructions on charging

Follow the instructions listed below to ensure safe use and longevity of the batteries:

- Charge 12 hours prior to initial usage.
- We recommend charging the batteries daily after every discharge even after partly discharge, as well as each night over night. Depending on the level of discharge, it can take up to 12 hours until the batteries are fully charged again.
- When the battery indicator reached the red LED range, charge the batteries for 16 hours minimum, neglecting the charge complete display!
- Try to provide a 24 hour charge once a week to make sure that both batteries are fully charged.

- Do not cycle your batteries at a low state of charge without regularly recharging them fully.
- Do not charge your batteries under extreme temperatures. High temperatures above 30 °C are not recommended for charging as well as low temperatures below 10 °C.
- Use only charging devices in Class 2. This class of chargers may be left unattended during charging. All charging devices which are supplied by Invacare® comply with these requirements.
- You cannot overcharge the batteries when using the charger supplied with your vehicle, or a charger that has been approved by Invacare®.
- Protect your charger from sources of heat such as heaters and direct sunlight. If the battery charger overheats, charging current will be reduced and the charging process delayed.

9.2.1.3 How to charge the batteries

Please see the instruction manuals for your remote and battery charger for the position of the charging socket and further information about charging the batteries.



WARNING!**Risk of explosion and destruction of batteries if the wrong battery charger is used!**

- *Only ever use the battery charger supplied with your vehicle, or a charger that has been approved by Invacare®.*

Risk of electric shock and damage to the battery charger if it gets wet!

- *Protect the battery charger from water.*
- *Always charge in a dry environment.*

Risk of short circuit and electric shock if the battery charger has been damaged!

- *Do not use the battery charger if it has been dropped or damaged.*

Risk of electric shock and damage to the batteries!

- *NEVER attempt to recharge the batteries by attaching cables directly to the battery terminals.*

Risk of fire and electric shock if a damaged extension cable is used!

- *Only ever use an extension cable if it is absolutely necessary. In case you must use one, make sure it is in good condition.*

Risk of injury if using the wheelchair during charging!

- *DO NOT attempt to recharge the batteries and operate the wheelchair at the same time.*
 - *DO NOT sit in the wheelchair while charging the batteries.*
-

- Switch off the mobility device.
- Connect the battery charger to the charger socket.
- Connect the battery charger to the power supply.

9.2.1.4 How to disconnect the batteries after charging

- Once charging is complete, first disconnect the battery charger from the power supply, then disconnect the plug from the remote.

9.2.2 Storage and Maintenance

Follow the instructions listed below to ensure safe use and longevity of the batteries:

- Always store the batteries fully charged.
- Do not leave the batteries in a low state of charge for an extended length of time. Charge a discharged battery as soon as possible.
- In case your mobility device is not used for a longer period of time (that is more than two weeks), the batteries must be charged at least once a month to maintain a full charge and always be charged before use.
- Avoid hot and cold extremes when storing. We recommend to store batteries at a temperature of 15 °C.
- Gel and AGM batteries are maintenance-free. Any performance issues should be handled by a properly trained mobility device technician.

9.2.3 Instructions on using the batteries



CAUTION! Risk of damaging the batteries.

- *Avoid ultra-deep discharges and never drain your batteries completely.*
-

- Pay attention to the Battery Charge Indicator! Charge the batteries when the Battery Charge Indicator shows that battery charge is low.

How fast the batteries discharge depends on many circumstances, such as ambient temperature, condition of the surface of the road, tyre pressure, weight of the driver, way of driving and utilisation of lighting.

- Try to charge the batteries always before you reach the red LED range.

The last 3 LED (two red and one orange) mean a remaining capacity of about 15 %.

- Driving with blinking red LED's means an extreme stress for the battery and should be avoided under normal circumstances.
- When only one red LED is blinking, the Battery Safe feature is enabled. From this time, speed and acceleration is reduced drastically. It will allow you to move the mobility device slowly out of a dangerous situation before the electronic finally cuts off. This is deep discharging and should be avoided.
- Be aware that for temperatures below 20 °C, the nominal battery capacity starts to decline. For example, at -10 °C the capacity is reduced to about 50 % of the nominal battery capacity.
- To avoid damaging the batteries, never allow them to be fully discharged. Do not drive on heavily discharged batteries if it is not absolutely necessary, as this will strain the batteries unduly and shorten their life expectancy.
- The earlier you recharge the batteries, the longer they live.
- The depth of discharge affects the cycle life. The harder a battery has to work, the shorter is its life expectancy.

Examples:

- One deep discharge stresses the same as 6 normal cycles (green /orange display off).
- The battery life is about 300 cycles at 80% discharge (first 7 LED off), or about 3000 cycles at 10% discharge (one LED off).



NOTE:

The number of LED can vary depending on the remote type.

- Under normal operation, once a month the battery should be discharged until all green and orange LED are off. This should be done within one day. A 16 hour charge afterwards is necessary as reconditioning.

9.2.4 Transporting batteries

The batteries supplied with your electric vehicle are not hazardous goods. This classification is based on the German GGVS Hazardous Goods Road Transport Ordinances, and the IATA/DGR Hazardous Goods Rail Transport / Air Transport Ordinances. Batteries may be transported without restrictions, whether by road, rail or by air. Individual transport companies have, however, guidelines which can possibly restrict or forbid certain transport procedures. Please ask the transport company regarding each individual case.

9.2.5 Handling batteries

9.2.5.1 General instructions on handling the batteries

- Never mix and match different battery manufactures or technologies, or use batteries that do not have similar date codes.
- Never mix gel with AGM batteries.
- Always have your batteries installed by a properly trained mobility device technician. They have the necessary training and tools to do the job safely and correctly.

9.2.5.2 How to handle damaged batteries correctly



WARNING:**Corrosion and burns from acid leakage if batteries are damaged!**

- *Remove clothes that have been soiled by acid immediately.*

After contact with skin:

- *Immediately wash affected area with lots of water.*

After contact with eyes:

- *Immediately rinse eyes under running water for several minutes; consult a physician.*
-

- Always wear safety goggles and appropriate safety clothing when handling damaged batteries.
- Place damaged batteries in an acid-resistant receptacle immediately after removing them.
- Only ever transport damaged batteries in an appropriate acid-resistant receptacle.
- Wash all objects that have come into contact with acid with lots of water.

Disposing of dead or damaged batteries correctly

Dead or damaged batteries can be given back to your dealer or directly to Invacare®.

9.2.5.3 Removing the batteries



CAUTION: Risk of fire and burns if battery poles are bridged!

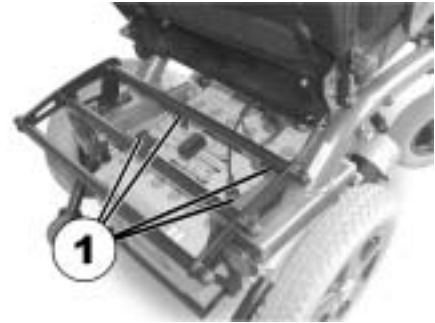
- *When replacing the batteries the battery poles MUST NOT come into contact with metal parts of the wheelchair causing bridging.*
 - *Be sure to replace the battery pole caps after the batteries have been replaced.*
-

**Pre-requisites:**

- 11 mm open-ended spanner
-
- Remove the battery cover.



- Pull the battery pole caps (1) upward and push back in order to reach the battery poles.
- Use the open-ended spanner to loosen the battery pole clamps.
- Remove the batteries to the rear.



10 Care and maintenance

The term „Maintenance“ means any task performed to ensure that a medical device is in good working order and ready for use as intended. Maintenance encompasses different areas, such as everyday care and cleaning, inspection checks, repair tasks and refurbishment.



NOTE:

Have your vehicle checked once a year by an authorised Invacare® dealer in order to maintain it's driving safety and roadworthiness.

10.1 Cleaning the mobility device

When cleaning the mobility device, pay attention to the following points:

- Only use a damp cloth and gentle detergent.
- Do not use any abrasive or scouring agents.
- Do not subject the electronic components to any direct contact with water.
- Do not use any high-pressure cleaning devices.

Disinfection

Spray or wipe disinfection using a tested and recognised product is permitted. A list of the current permitted disinfectants is available from the Robert Koch Institute at <http://www.rki.de>.

10.2 Inspection checks

The following table lists inspection checks that should be performed by the user and their intervals. If the mobility device fails to pass one of the inspection checks, please refer to the chapter indicated or contact your authorised Invacare® dealer. A more comprehensive list of inspection checks and instructions for maintenance work can be found in the Service Manual for this device, which can be obtained from Invacare®. That Manual, however, is intended to be used by trained and authorised service technicians, and describes tasks which are not intended to be performed by the user.

Maintenance Jobs	When Delivered	Weekly	Monthly
Seat and backrest padding:			
- Check for perfect condition.			✓
Side part and armrest:			
- Are all fastening elements installed?	✓	✓	
- Can armrests / side parts be removed and installed without too much physical effort?		✓	
- Are armrests secured in their positions?		✓	
Legrests:			
- Do legrests lock into place without any problem? (Only applies to detachable legrests)			✓
- Do the different adjustment functions work without any problem?			✓
Tyres:			
- Have tyres checked for specified air pressure (2,5 bar).	✓	✓	
Front wheel forks / Front wheels			
- Front wheels must be running smoothly.		✓	
- Check fork bearing for firm seat (torque 15 Nm +/- 1,5 Nm).			✓
Rear wheels:			
- Test wheel for firm seat on the axle drive shaft.			✓
- Rear wheels must turn without wobbling			✓

Maintenance Jobs	When Delivered	Weekly	Monthly
Electronics / Electrical System:			
- Check all plug connections for condition and firm seat.			✓
- Have all batteries been fully charged before the daily operation?	Before every trip		
- Are all holders, screws firmly fixed, tight and safe?			✓
- Are all electric bulbs of the lighting system (if applicable) in working order?	Before each trip		
Cleaning:			
- Clean all parts carefully.	When necessary		

10.3 Repair Instructions



Important information about maintenance work tools!

Some maintenance work which is described in this manual and can be carried out by the user without problems require the correct tools for proper work. If you do not have the correct tool available we do not recommend that you try to carry out the relevant work. In this case, we urgently recommend that you contact an authorised specialist workshop.

The following are instructions on repairs that can be performed by the user. For the specifications of spare parts please see "**Technical specifications**" on page **125**, or consult the Service Manual, available from Invacare® (in this connection please see the addresses and phone numbers in section "**How can you get in touch with Invacare®?**" on page **3**). In case you require assistance, please contact your Invacare® Dealer.

10.3.1 Repairing a flat tyre



WARNING: Danger of damage or injury if the vehicle is accidentally set into motion during repairs!

- *Switch the power off (ON/OFF Button)!*
 - *Engage the motors!*
 - *Secure the vehicle against rolling away by placing wedges under the wheels!*
-

10.3.1.1 Repairing a flat tyre at the front - pneumatic tyres type 2.80/2.50-4 on steel rim

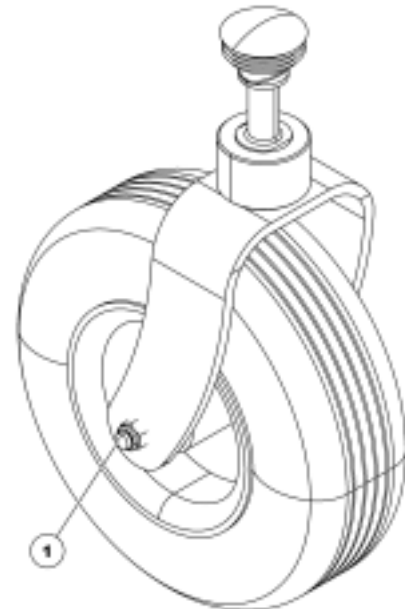


Pre-requisites:

- Socket spanner 13 mm
 - Socket spanner 12 mm
 - Repair kit for inner tube tyres **or** a new inner tube.
 - Talcum powder
-

Removing the wheel

- Jack up the mobility device (place a wooden wedge under the frame).
- Loosen and remove the screw (1) using the 12 mm socket spanner on the outside and the 13 mm socket spanner on the inside (for counterering).
- Pull the wheel from the fork.



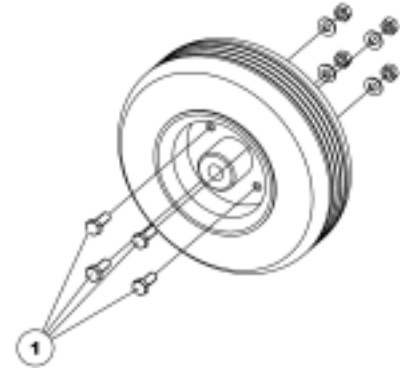


NOTE:

Installation is carried out in reverse order. Please ensure that the wheel is re-fitted on the same side and in the same running direction as removed.

Repairing a flat tyre

- Unscrew valve cap.
- Depressurise tyre by pressing in the pin in the valve .
- Loosen and remove the screw (1) using the 12 mm socket spanner on the outside and the 13 mm socket spanner on the inside (for counterering).
- Remove the tyre with inner tube from the wheel rim halves.
- Repair inner tube and replace, or insert new.

**NOTE**

If the old inner tube is to be repaired and re-used, and has become wet during repair, you can make replacement easier by sprinkling the inner tube with a little talcum powder.

- Insert the wheel rim halves from outside into the tyre.
- Pump up the tyres a little.
- Insert the screws once again, and screw the wheel rims together tightly. Avoid crushing the inner tube!
- Ensure that the tyre outer is seated correctly.
- Pump the tyre up to the prescribed pressure.
- Check that the tyre is seated correctly once again.
- Screw the valve cap back on.
- Refit the wheel.

10.3.1.2 Repairing a flat tyre at the rear (wheel rim type 3.00-8")



Injury hazard! If the wheel is insufficiently secured during fitting, it can come off while driving!

- *Always tighten the torx screws which secure the wheel to the hub to a torque of 30 Nm when refitting the drive wheels!*
 - *Secure all bolts using a suitable screw blocker system (e.g. Loctite 243)!*
-



Requirements:

- torque wrench with ...
 - Allen bit 5 mm
 - torx bit T40
 - repair kit for tyre repair **or** a new inner tube
 - talcum powder
 - screw blocker Loctite (e.g. Loctite 243)
-

Removing the wheel

- Raise the vehicle and place wooden blocks under it to support it.
- Remove the countersunk screw (1) using the torx bit.
- Pull the wheel off the axle.

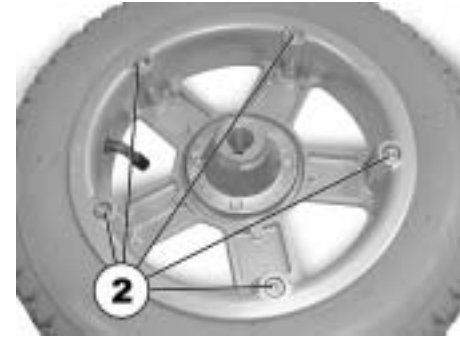


EXPLOSION HAZARD! The wheel explodes if the air pressure has not been released from the wheel before the wheel rim is removed!

- *Always ensure that you have completely released the air pressure by pressing the pin in the centre of the valve firmly in!*
-

Repairing punctured tyres

- Remove the valve cap.
- Let the air escape completely out of the tyre by pressing the pin in the centre of the valve firmly in.
- Remove the 5 cylinder head screws (rear of wheel, 2).
- Remove the wheel rim halves from the wheel.
- Remove the inner tube from the wheel.
- Repair the inner tube and re-fit it, or replace it with a new one.



NOTE

If the old inner tube has been repaired and is to be used again, and became wet during repair, it is easier to replace it if it is lightly dusted with talcum powder beforehand.



NOTE

Refitting takes place in reverse order. Always ensure that the wheel is replaced on the same side as it came from, and that it is facing in the same direction.

- Apply the wheel rim halves to the wheel again.
- Inflate the tyre a little.
- Place the cylinder head screws in the wheel rim and tighten them to 10 Nm. Ensure that the inner tube is not clamped between the wheel rim halves.
- Ensure that the tyre is contacting the wheel rim directly.
- Inflate the tyre to the recommended pressure.
- Ensure that the tyre is still closely contracting the wheel rim.
- Screw the valve cap on again.
- Fit the wheel again.
- Place the torx screws in position with a screw blocker system and tighten them to 30 Nm.

11 Transport



CAUTION: Injury hazard or material damage if a power wheelchair which is fitted with a table is transported in a vehicle!

- *If a table is fitted, always remove it before transporting the wheelchair.*



11.1 Transferring the wheelchair to a vehicle



WARNING: The wheelchair is in danger of tipping over if it is transferred to a vehicle while the driver is still seated in the wheelchair!

- *Transfer the wheelchair without the driver whenever possible!*
- *If the wheelchair with the driver has to be transferred to a vehicle using a ramp, ensure that the ramp does not exceed the maximum safe slope (see chapter "**Technical specifications**" starting on page 125)!*
- *If the wheelchair has to be transferred to a vehicle using a ramp that does exceed the maximum safe slope (see chapter "**Technical specifications**" starting on page 125), a winch must then be used! An attendant can then safely monitor and assist the transfer process!*
- *Alternatively, a platform lift may be used!*
- *Ensure that the total weight of the power wheelchair including the user does not exceed the maximum permitted total weight for the ramp or platform lift!*
- *The wheelchair should always be transferred to a vehicle with the backrest in an upright position, the seat lifter lowered and the seat tilt in the upright position (see chapter "**Driving up and down gradients**" on page 34)!*

- Drive or push your wheelchair into the transport vehicle using a suitable ramp.

11.2 Use of the wheelchair as a seat in a vehicle



Please note

In order to use a wheelchair as a motor vehicle seat, it needs to be equipped with attachment points to enable anchoring in the motor vehicle. These accessories may be included in the standard scope of wheelchair order and delivery in some countries (UK for example), but may also be obtained from Invacare® as an option in other countries.

This power wheelchair complies with the requirements of ISO 7176-19:2001 and may be used as a vehicle seat in connection with an anchoring system that has been checked and approved in accordance with ISO 10542. The wheelchair has undergone a crash test in which it was anchored in the transporting vehicle's direction of travel. Other configurations were not tested. The crash test dummy was secured using pelvic and upper body safety belts. Both types of safety belt should be used in order to minimise the risk of injuries to head or upper body. It is imperative that the wheelchair is inspected by an authorised dealer before being used again after being involved in a crash. Alterations to the wheelchair anchoring points may not be carried out without the manufacturer's permission.



Caution: There is a danger of injury if the wheelchair is not properly secured during use as a vehicle seat!

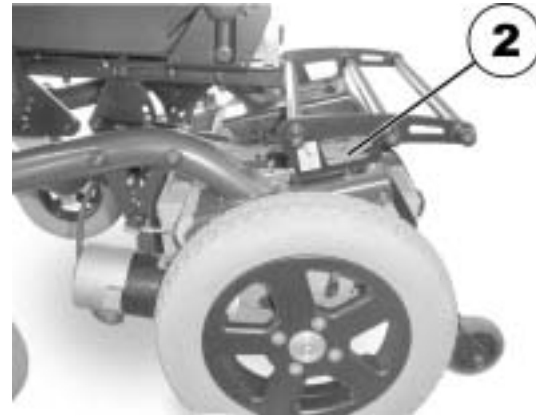
- *If possible, the user should always leave the wheelchair to use a vehicle seat and the safety belts provided with the vehicle.*
 - *The wheelchair should always be anchored facing in the transport vehicle's intended direction of travel.*
 - *The wheelchair must always be secured in accordance with the wheelchair and anchoring system manufacturers' operating manual.*
 - *Always remove and secure any accessory parts fixed to the wheelchair such as chin controls or tables.*
 - *If your wheelchair is equipped with an angle adjustable backrest, then it must be placed in an upright position.*
 - *Fully lower elevated legrests, if fitted.*
 - *Fully lower the seat lifter, if fitted.*
-

11.2.1 How the wheelchair is anchored in a vehicle for use as a vehicle seat

The power wheelchair is fitted with four anchoring points, which are labelled with the symbol shown on the right. Snap hooks or belt loops can be used for fixation.



- Fasten the wheelchair at the front (1) and rear (2) using the belts on the anchoring system.
- Secure the wheelchair by tightening the belts according to the operating instructions issued by the manufacturer of the anchoring system.



11.2.2 How the user is secured within the wheelchair



CAUTION: There is a danger of injury if the user is not properly secured within the wheelchair!

- *Even if the wheelchair is fitted with a postural belt, this is no substitute for a proper safety belt which complies with ISO 10542 in the transport vehicle. Always use the safety belt installed in the transport vehicle.*
 - *Safety belts must be in contact with the user's body. They must not be held at a distance from the user's body using parts of the wheelchair such as armrests or wheels. Refer to the illustration on page 121.*
 - *Safety belts must be pulled as tightly as possible without causing the user discomfort. Refer to the illustration on page 121.*
 - *Safety belts must not be positioned while twisted.*
 - *Ensure that the third seatbelt anchorage point is not fixed directly to the vehicle floor, but to one of the vehicle uprights.*
-



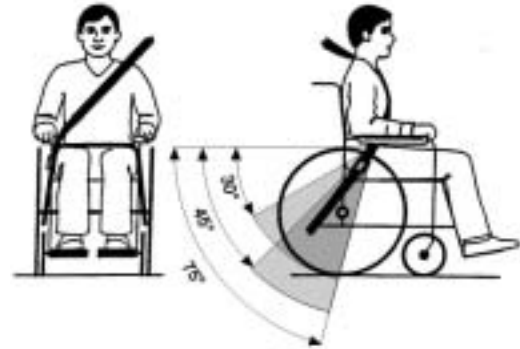
CAUTION: Injury hazard during use of the mobility aid as a vehicle seat if a headrest is wrongly adjusted or not installed! This can cause the neck to be hyperextended during collisions!

- *A headrest must be installed! The headrest optionally supplied for this mobility device by Invacare® is perfectly suitable for use during transport.*
- *The headrest must be adjusted to the user's ear height.*





Seat belts may not be held at a distance from the user's body using parts of the wheelchair such as armrests or wheels.



The pelvic belt should be positioned in the area between the user's pelvis and thighs so that it is unobstructed and not too loose. The ideal angle of the pelvic belt to the horizontal is between 45° and 75°. The maximum permissible angle is between 30° and 75°. The angle should never be less than 30°!

11.3 Securing the wheelchair for transport without passengers



CAUTION: Injury hazard!

- *If you are unable to fasten your electric wheelchair securely in a transport vehicle, Invacare® recommends that you do not transport it!*
-
- Before transporting your wheelchair, make sure the motors are engaged and that the Joystick Box is switched off.
Invacare® strongly recommends that you additionally disconnect or remove the batteries. See "Removing the batteries" on page **101**.
 - Invacare® strongly recommends securing the wheelchair to the floor of the transporting vehicle.

12 Refurbishment

The product is suitable for refurbishment. Actions to be carried out:

- Cleaning and disinfection. Please see chapter "Care and maintenance" on page **103**.
- Inspection according to service plan. Please consult service instructions, available from Invacare®.
- Adaptation to the user. Please see chapter "Adjusting the wheelchair to the user's seating posture" on page **37**.

13 Disposal

- The equipment wrapping is potentially recyclable.
- The metal parts are used for scrap metal recycling.
- The plastic parts are used for plastic recycling.
- Electric components and printed circuit boards are disposed of as electronic scrap.
- Exhausted or damaged batteries can be returned to your medical equipment supplier or Invacare®.
- Disposal must be carried out in accordance with the respective national legal provisions.
- Ask your city or district council for details of the local waste management companies.

14 Technical specifications

The technical information provided hereafter applies to a standard configuration or represents maximum achievable values. These can change if accessories are added. The precise changes to these values are detailed in the sections for the respective accessories.

Permissible operating and storage conditions	
Temperature range for operation according to ISO 7176-9:	• -25° ... +50 °C
Temperature range for storage according to ISO 7176-9:	• -40° ... +65 °C

Electric system	
Motors	<ul style="list-style-type: none"> • 2 x 180 W (6 km/h) • 2 x 220 W (8 km/h)
Batteries	• 2 x 12 V/60 Ah (C20) leakproof/gel
Main fuse	• 40 A

Charging device	
Output current	8 A ± 8 %
Output voltage	24 V nominal (12 cells)
Input voltage	200 – 250 V nominal
Operating temperature (environment)	-25° ... +50 °C
Storage temperature	-40° ... +65 °C

Drive wheel tyres	
Tyre type	• 317 (12½" x 2¼") pneumatic or puncture-proof
Tyre pressure	The recommended maximum tyre pressure in bar or kpa is marked on the side wall of the tyre or the rim. If more than one value is listed, the lower one in the corresponding units applies. (Tolerance = -0.3 bar, 1 bar = 100 kpa)

Castor wheel tyres	
Tyre type	<ul style="list-style-type: none"> • 230x60 (2.80/2.50-4) pneumatic or puncture-proof
Tyre pressure	<p>The recommended maximum tyre pressure in bar or kpa is marked on the side wall of the tyre or the rim. If more than one value is listed, the lower one in the corresponding units applies. (Tolerance = -0.3 bar, 1 bar = 100 kpa)</p>

Drive features	
Speed	<ul style="list-style-type: none"> • 6 km/h • 8 km/h
Min. braking distance	<ul style="list-style-type: none"> • 1000 mm (6 km/h) • 1500 mm (8 km/h)
Max. safe slope *****	<ul style="list-style-type: none"> • 8,5° (15 %) according to manufacturer's specifications with 125 kg payload, 4° seat angle, 20° backrest angle
Max. climbable obstacle height	<ul style="list-style-type: none"> • With kerb climber: 100 mm • Without kerb climber: 60 mm
Turning diameter	<ul style="list-style-type: none"> • 1660 mm
Drive range in accordance with ISO 7176-4:2008 ***	<ul style="list-style-type: none"> • 30 km

Dimensions	Standard	Contour	Laguna	Junior
Total height	<ul style="list-style-type: none"> • 980 mm 	<ul style="list-style-type: none"> • 1010 mm 	<ul style="list-style-type: none"> • 1060 mm 	<ul style="list-style-type: none"> • 920 mm
Max. total width	<ul style="list-style-type: none"> • 640 mm 			<ul style="list-style-type: none"> • 610 mm
Total length (incl. standard legrests)	<ul style="list-style-type: none"> • 1030 mm 			<ul style="list-style-type: none"> • 920 mm
Total length (without standard legrests)	<ul style="list-style-type: none"> • 850 mm 			<ul style="list-style-type: none"> • 750 mm
Seat height (with manual seat angle adjustment) ****	<ul style="list-style-type: none"> • 425 - 500 mm 			<ul style="list-style-type: none"> • 425 - 475 mm

Dimensions	Standard	Contour	Laguna	Junior
Seat height (with electrical seat angle adjustment) ****	• 445 - 465 mm			• 470 mm
Seat width (armrest adjustment range in parentheses)	• 430 mm (440 - 490 mm**)			<ul style="list-style-type: none"> • 360 mm (290 - 360 mm) • 360 mm (320 - 400 mm)
Seat depth	• 410/460/510 mm	• 390/440/490 mm	• 410/460/510 mm	• 300 - 360 mm
Backrest height ****	• 480/540 mm	• 560 mm		• 450 mm
Seat cushion thickness	• 50 mm	• 70 mm		• 50 mm
Backrest angle (manual)	• -10°, 0°, +7,5°, +15°, +22,5°, +30°			
Backrest angle (electrical)	• 0° ... +16°	• +2° ... +22°		
Armrest height	• 290 - 360 mm			• 180 - 250 mm
Legrest length	• 300 - 430 mm			
Seat angle (manual)	• -12° ... +22°			
Seat angle (electrical)	• -4,5° ... +25,5°			

Weight	Standard	Contour / Laguna	Junior
Kerb weight *****	• 100 kg	• 105 kg	• 95 kg

Component weights	
Batteries	• approx. 19 kg per battery

Load	Standard / Contour / Laguna	Junior	UK configuration
Max. load	• 125 kg	• 90 kg	• 140 kg

Axle loadings	Dragon Standard	Dragon Junior
Max. axle loading front	• 59 kg	• 57 kg
Max. axle loading rear	• 171 kg	• 168 kg

** Width adjustable via side section adjustment.

*** Note: The range of an electric wheelchair depends greatly on external factors such as charged condition of the batteries, ambient temperature, local topography, state of the road surface, tyre pressure, weight of the driver, manner of driving and the use of the batteries for lighting, servos etc.

The specified values are theoretical maximum achievable values measured according to ISO 7176-4:2008.

**** Measured without seat cushion

***** The actual kerb weight depends on the fittings your mobility aid has been supplied with. Every Invacare® mobility aid is weighed when leaving the works. Please refer to the nameplate for the kerb weight (including batteries) measured.

***** Static stability according to ISO 7176-1 = 9° (15,8 %)
Dynamic stability according to ISO 7176-2 = 6° (10,5 %)

15 Inspections Performed

It is confirmed by stamp and signature that all jobs listed in the inspection schedule of the Service and Repair Instructions have been properly performed. The list of the inspection jobs to be performed can be found in the Service Manual which is available through Invacare®.

<u>Delivery Inspection</u>	<u>1st Annual Inspection</u>
Stamp of authorised Dealer / Date / Signature	Stamp of authorised Dealer / Date / Signature
<u>2nd Annual Inspection</u>	<u>3rd Annual Inspection</u>
Stamp of authorised Dealer / Date / Signature	Stamp of authorised Dealer / Date / Signature
<u>4th Annual Inspection</u>	<u>5th Annual Inspection</u>
Stamp of authorised Dealer / Date / Signature	Stamp of authorised Dealer / Date / Signature

Notes

Notes

Order No. of this Manual: 1442477.DOC
Release Date: 2012-06-28

English