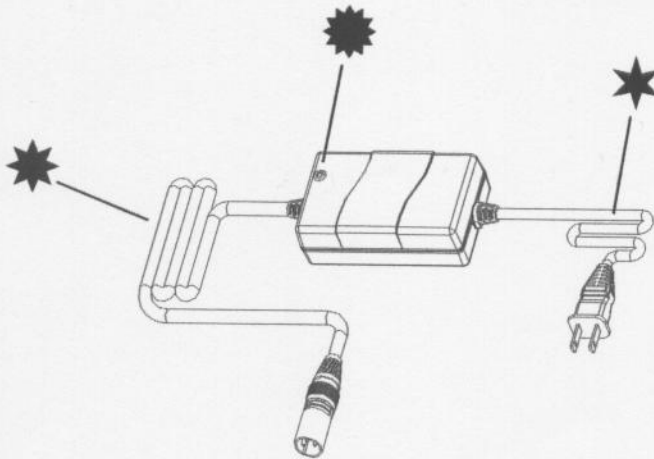


BATTERY CHARGER INSTRUCTION

1. Appearance



- ① Power Cord ◦
- ② Output Plug to Battery ◦
- ③ LED Indicator:
ORANGE: Charging ◦
GREEN: Fully Charging ◦

2. Specification

Item	Battery Charger (Switching Mode)
Model	4C24020A
Output Current(DC)	2A
Charging Voltage(DC)	28.8V
Float Charging V.(DC)	27.6V
Input Current(AC)	1.0A max.
Input Voltage(AC)	100 ~ 240 V 50/60Hz
Efficiency	AC-DC 80%
Temperature	0°C ~ 40°C
Performance	Switching Mode
Charging Method	Pulse Mode Constant Current , Two Stage Constant Voltage
Battery Application	24V Lead Acid Batteries (9Ahr ~ 20Ahr)
Output Detection	1.Short Circuit Protection 2.Reverse Power Protection
Operating Humidity	20% ~ 85 %
Measurement	L 110mm×W 60mm×H 36mm
Weight	400 g
Color	Black

3. Operating Instruction

- (1) Make sure the battery charger output voltage is the same as the connecting battery.
- (2) Plug in the power cord. LED indicates GREEN when AC powers on.
- (3) Connect the battery charger to the battery.
- (4) LED indicates ORANGE when charging; LED indicates GREEN after fully charged.

4. LED Indication

- (1) ORANGE: Charging.
- (2) GREEN: Fully Charged.

5. Trouble Shooting

- (1) If GREEN Indicator is off
 - Check AC input. If it works normally, the battery charger may be defective.
- (2) If GREEN is working normally but Charging Indicator (ORANGE) is off
 - The polarity connection may be reversed.
 - The output connection may be short or open.
 - If the Charging Indicator (ORANGE) is still off, the battery charger may be defective.
- (3) If the Charging Indicator (ORANGE) does not turn GREEN (Fully Charged)
 - The battery is not charged normally, please stop charging and have the battery repaired.
- (4) If the Charging Indicator (ORANGE) turns Green (Fully Charged) immediately
 - The battery may be in well-charged condition.
 - If the battery is not fully charged, it may be defective. Please have it repaired.

6. Caution

- (1) SAVE THESE INSTRUCTIONS: This manual contains important safety and operating instructions for battery chargers --Model 4C24020A.
- (2) Before using the battery charger, read all instructions and cautionary markings.
- (3) To avoid the risk of injury, charge only lead-acid or gel cell type rechargeable batteries.
- (4) Use the battery charger in a well-ventilated area.
- (5) High heat on the exterior while charging. Avoid exposure to heat.
- (6) Please turn off the power after charging.