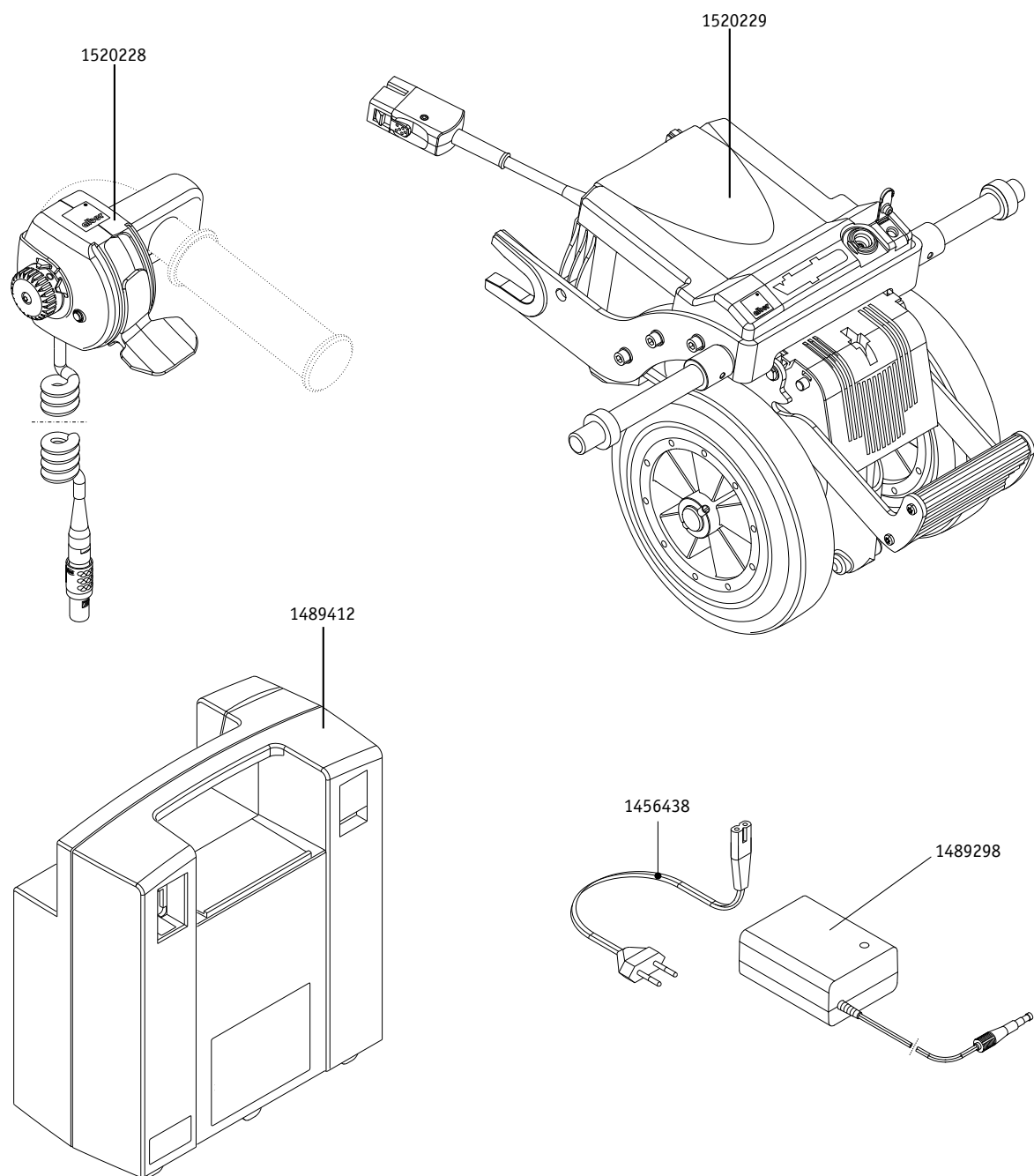


**viaplus**

viaplus V12	7.7.2
Components	7.7.2
Drive unit	7.7.3
Drive unit + electronic	7.7.4
Adapter cable	7.7.5
Control unit	7.7.6
Battery pack 24V, 12 Ah	7.7.7



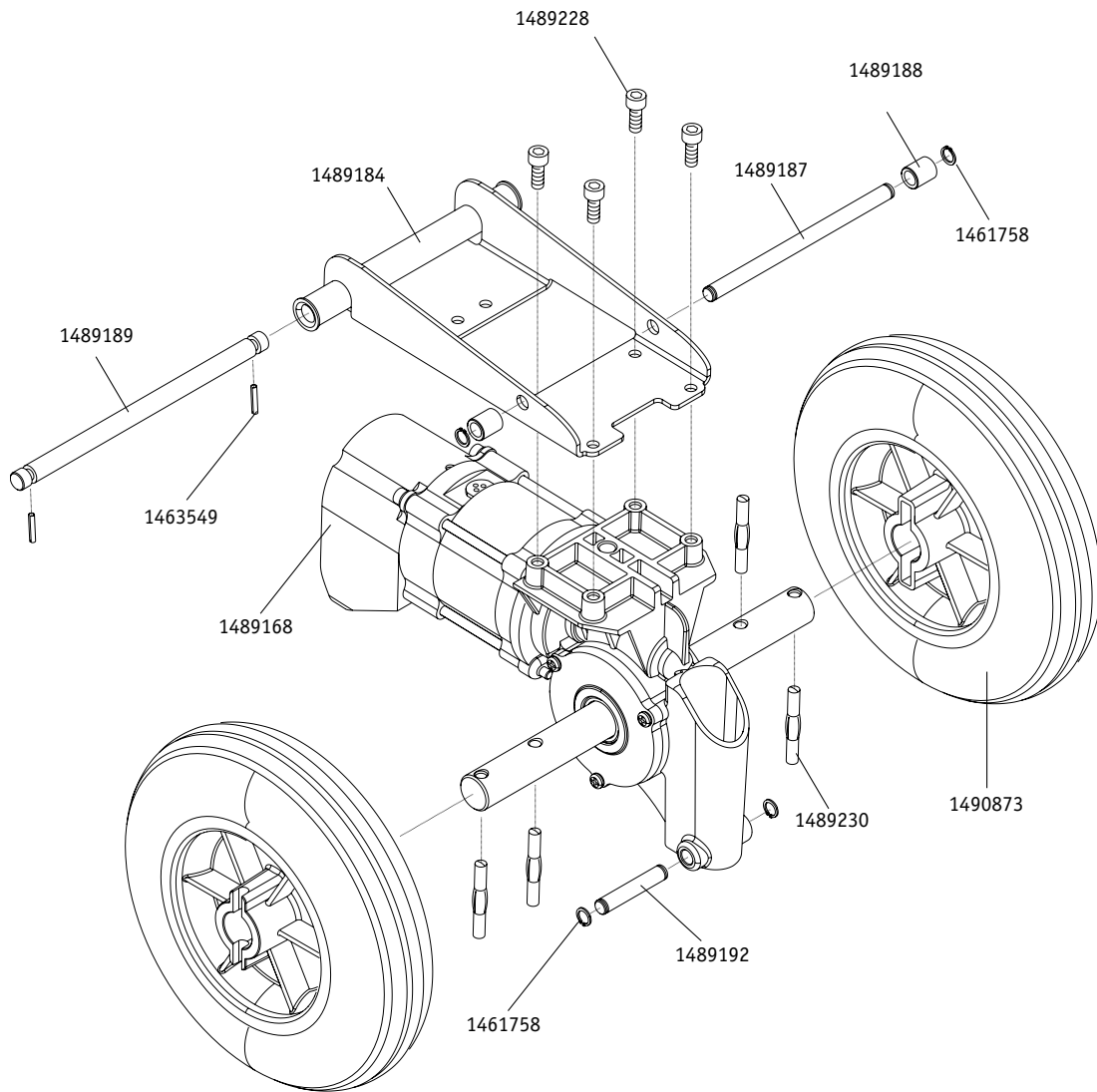
### Components



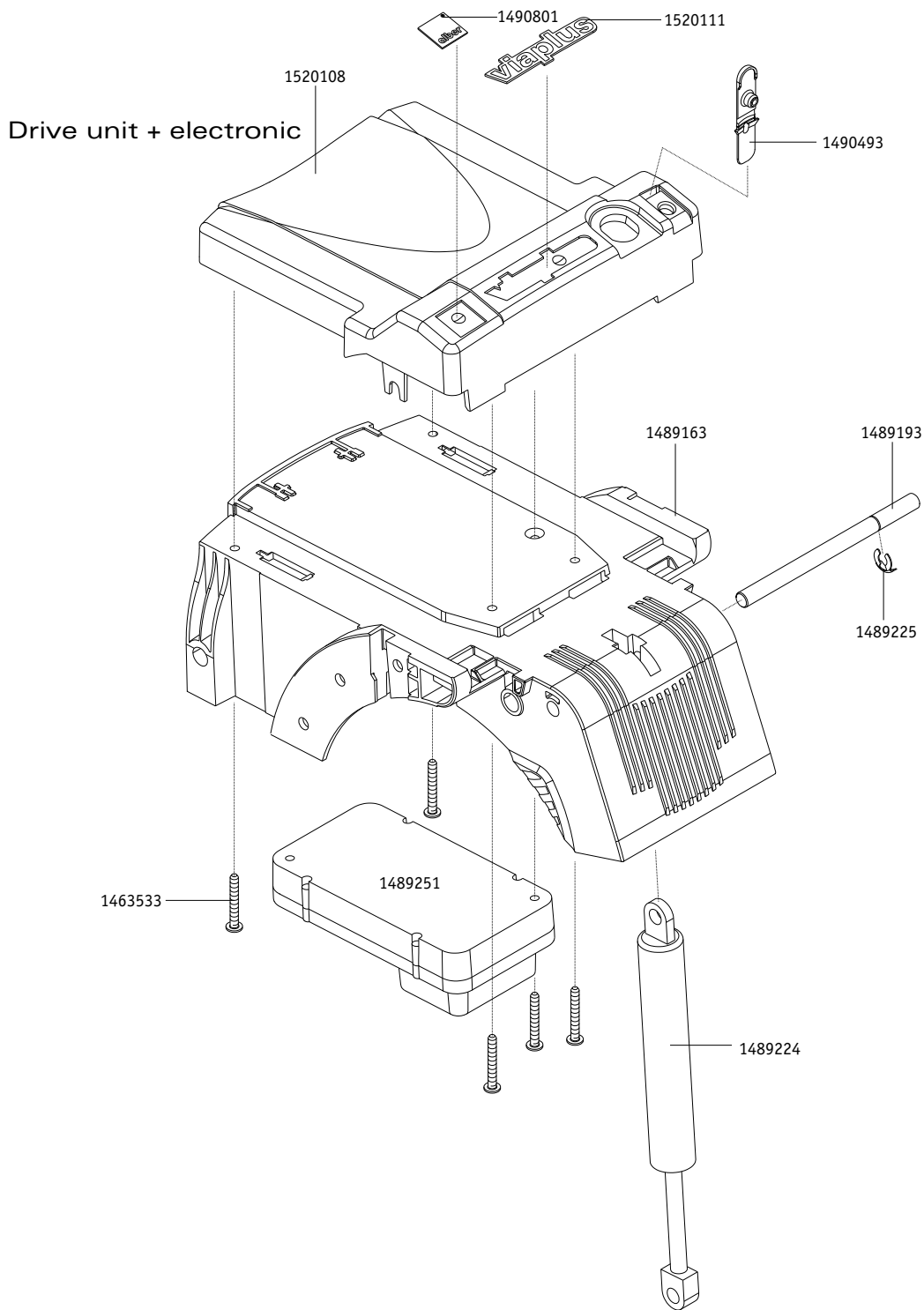
Order number	Description	Qty
1456438	Power cable charger	pcs
1489298	Battery charger	pcs
1489412	Battery pack complete	pcs
1520228	Control unit viaplus, complete	pcs
1520229	Drive unit viaplus, complete	pcs



Drive unit



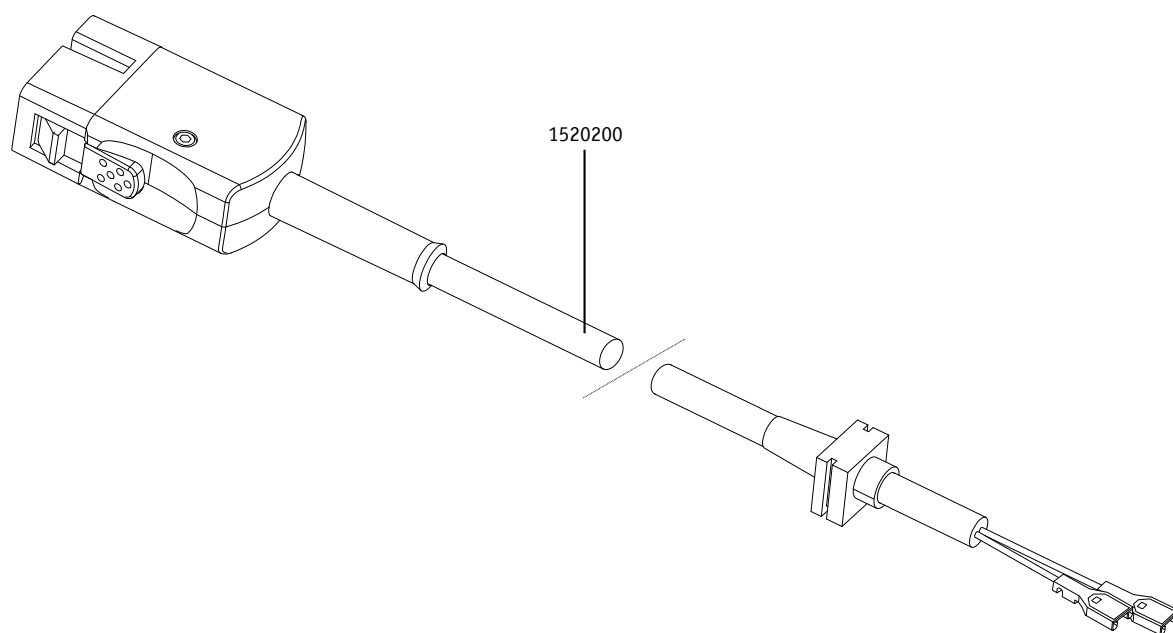
Order number	Description	Qty
1461758	Locking ring DIN 471 - 8 x 0,8	pcs
1463549	Screw Ejot PT DG 40x10 WN 1552 Z	pcs
1489168	Drive motor	pcs
1489184	Swivel plate	pcs
1489187	Stop axle	pcs
1489188	Guide roller	pcs
1489189	Swivel axle	pcs
1489192	Axle for gas spring bottom part	pcs
1489228	Screws	pcs
1489230	Spiral pin	pcs
1490873	Drive wheel incl. sleeves	pcs



Order number	Description	Qty
1460592	Countersunk head screw, DIN 7991 - M4 x 30 - 8.8 vz, gal Zn 5 bk c B	pcs
1463526	Locking ringDIN 985 - M 4 - 8 vz	pcs
1463533	Screw Ejot PT K 40x16 WN 1451	pcs
1489163	Drive housing	pcs
1489193	Axle for gas spring upper part	pcs
1489224	Gas spring	pcs
1489225	Blind flange	pcs
1489251	Control system	pcs
1490493	Closure element	pcs
1490801	Alber Logo 17x17 mm	pcs
1520108	Housing interface upper part	pcs
1520111	viaplus-Logo	pcs



Adapter cable

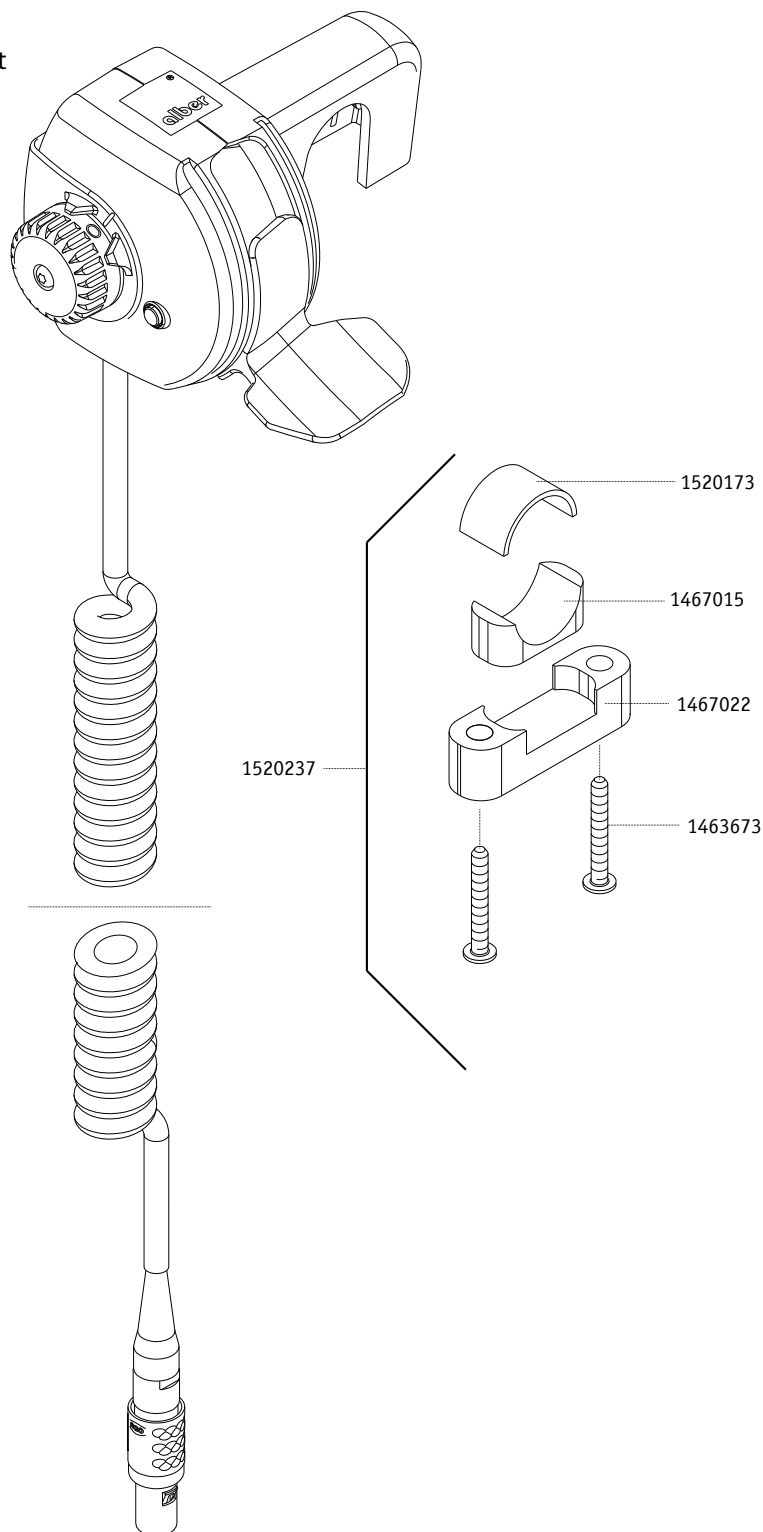


7

Order number	Description	Qty
1520200	Adapter cable viaplus V12	pcs



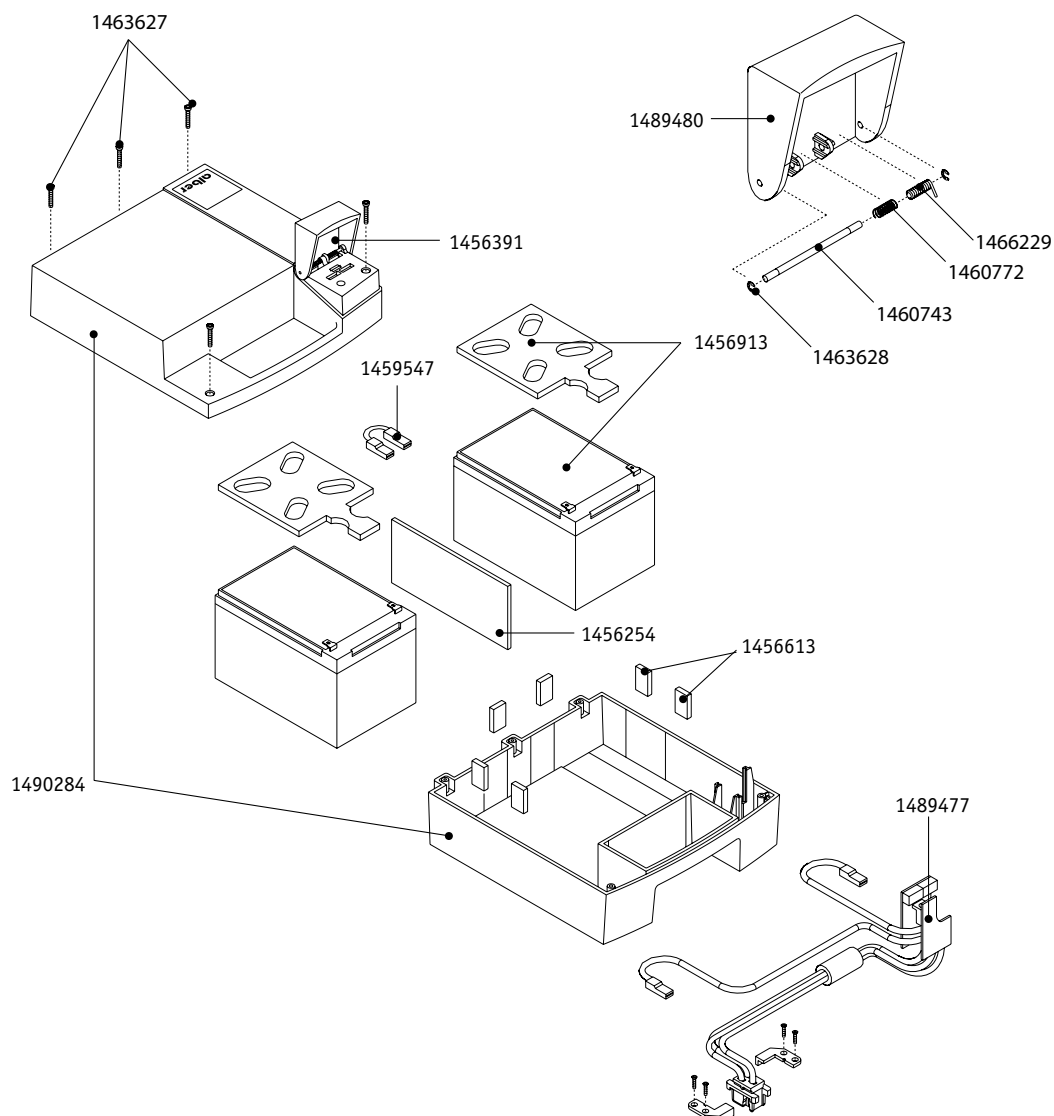
Control unit



Order number	Description	Qty
1463673	Truss head screw	pcs
1467015	Inlet profile 22 mm, black anodized	pcs
1467022	Clamp, colourless anodized	pcs
1520173	Band	pcs
1520237	Clamping set for control unit viaplus V12	pcs



## Battery pack 24V, 12 Ah



Order number	Description	Qty
1456254	Cellular rubber tape 70x4 mm, 145 mm long self-adhesive on one side	pcs
1456391	Fuse 25 A, flat	pcs
1456613	Foam rubber small	pcs
1456913	Battery 12 V/12 Ah inclusive foam rubber	pcs
1459547	Battery wire	pcs
1460743	Hinge axle	pcs
1460772	Leg spring for cover battery pack	pcs
1463627	Screw Ejot PT K 30x12 WN 1423	pcs
1463628	Securing disk 2.3 mm DIN 6799	pcs
1466229	Pressure spring VD-117B5,00x0,70x12,1014310	pcs
1489477	Battery circuit board	pcs
1489480	Covering hood	pcs
1490284	Housing Battery pack Set	pcs