

alber

**Damit Schieben
einfach wird**

viaplus

Brems- und Schiebehilfe

Gebrauchsanweisung

DE

User manual

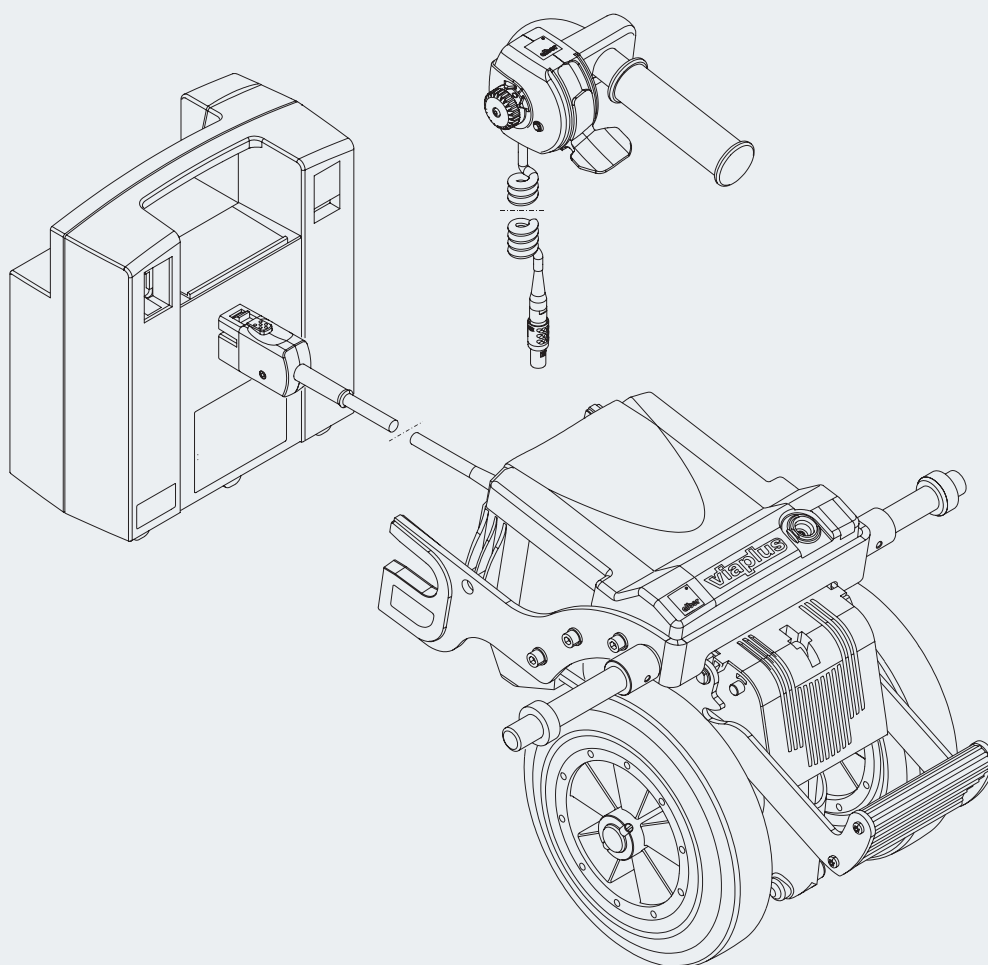
EN

Instructions d'utilisation

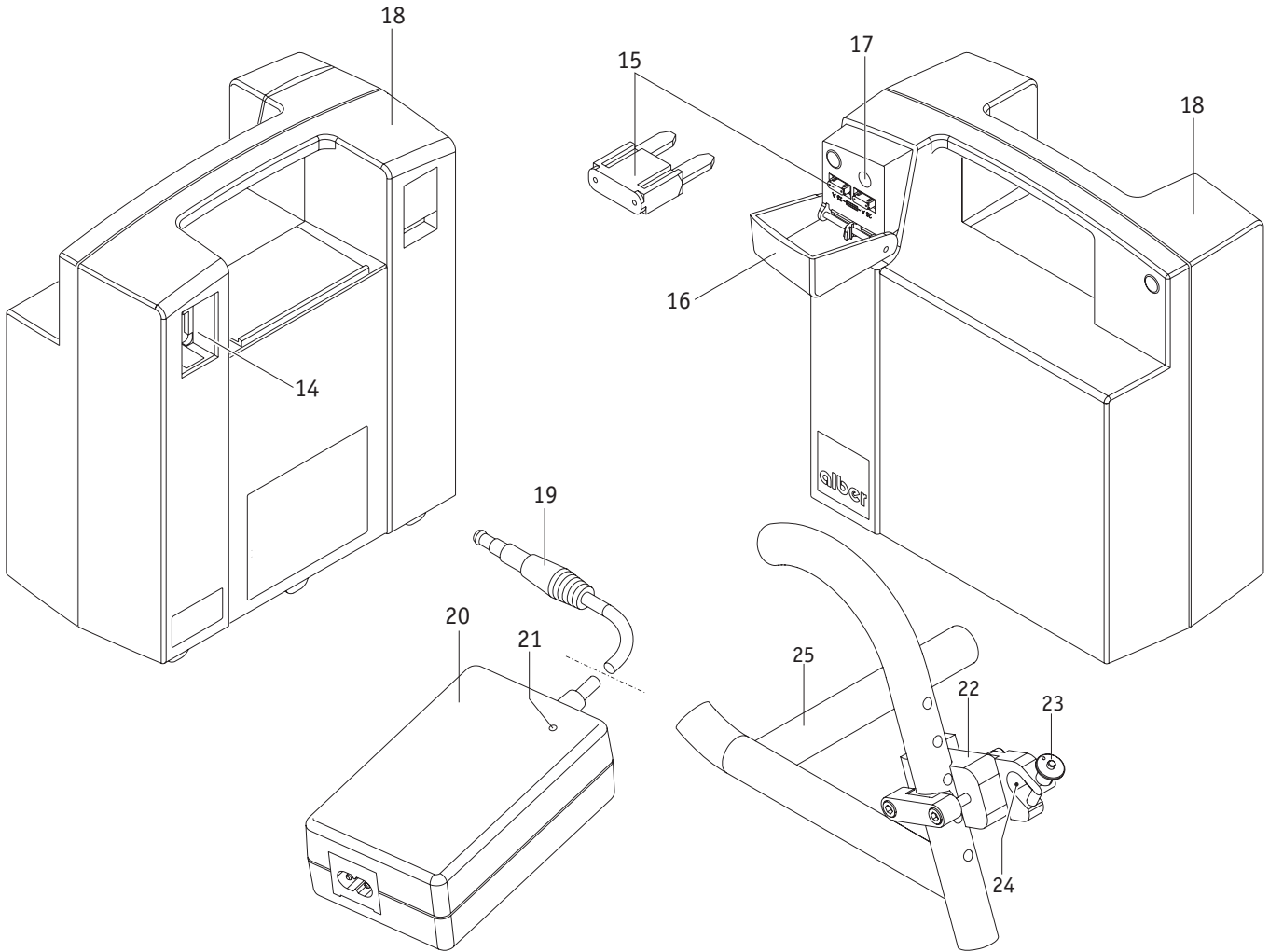
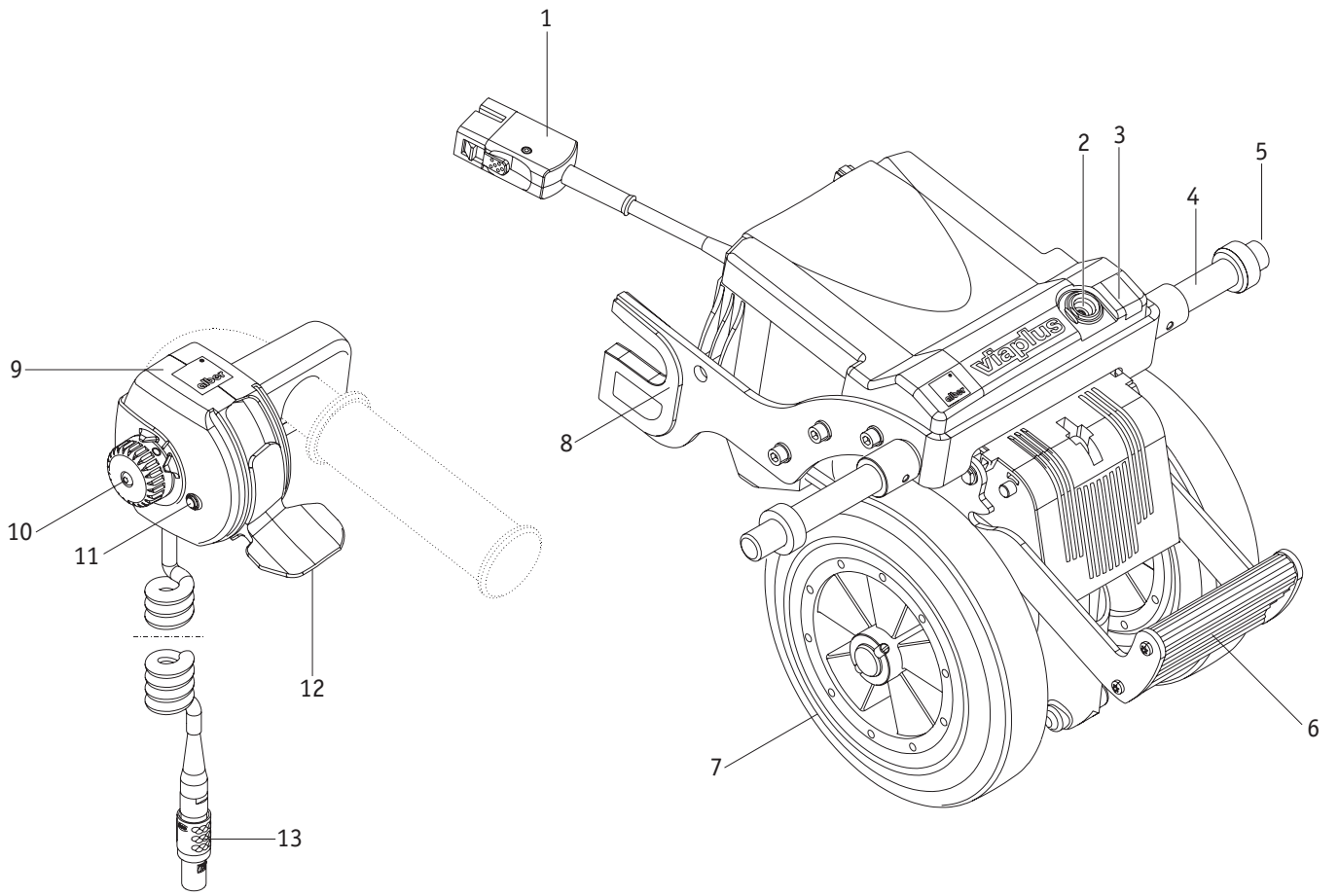
FR

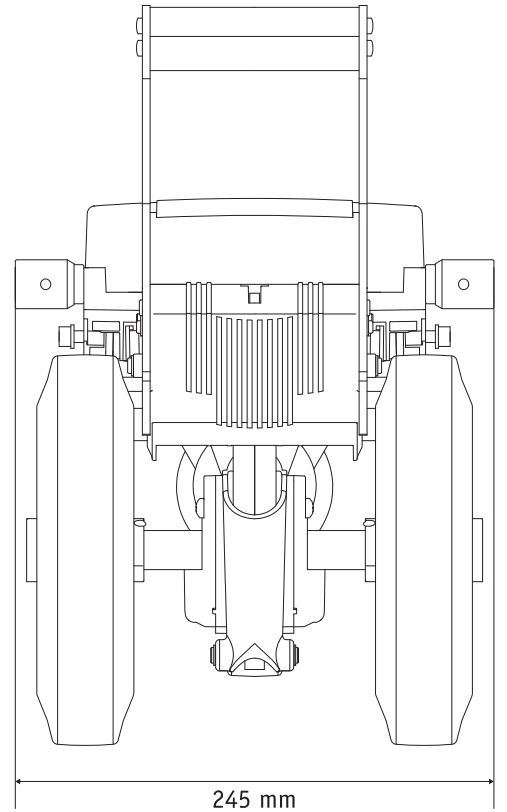
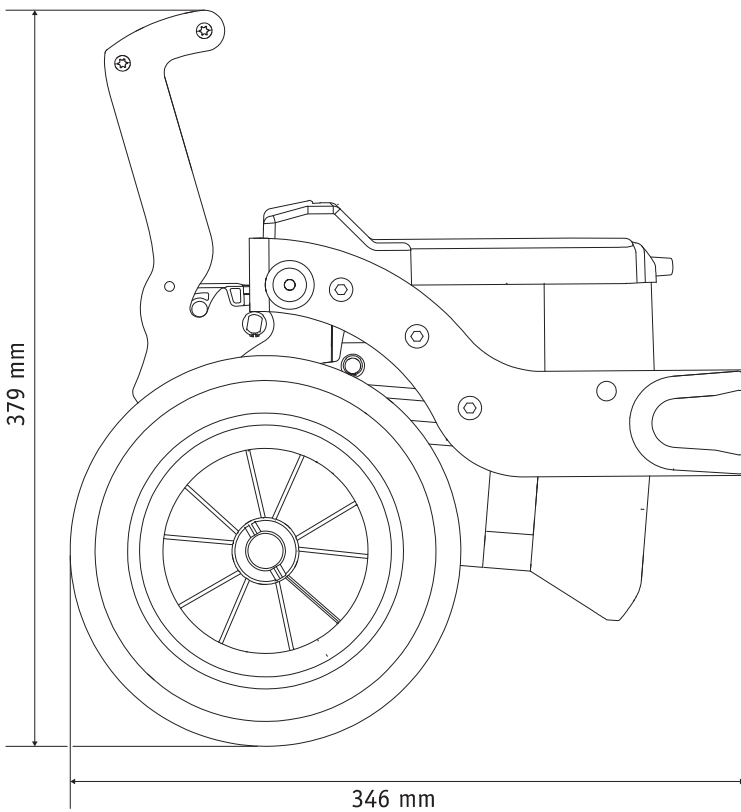
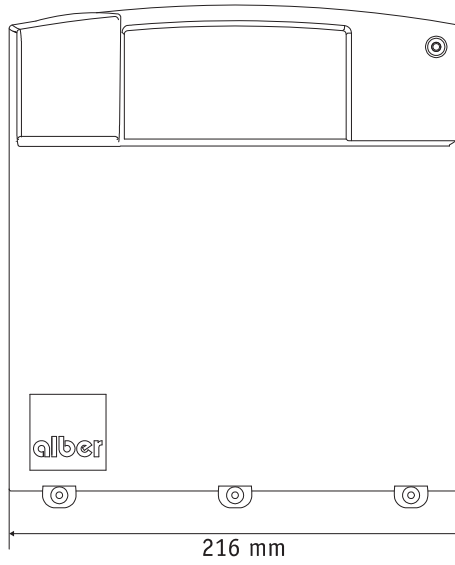
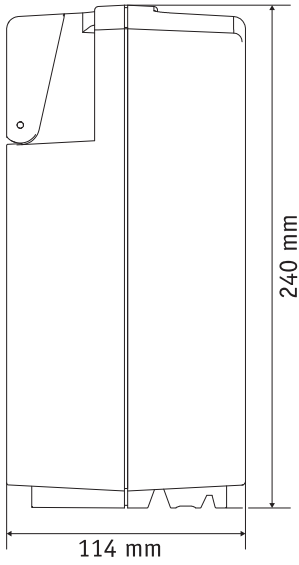
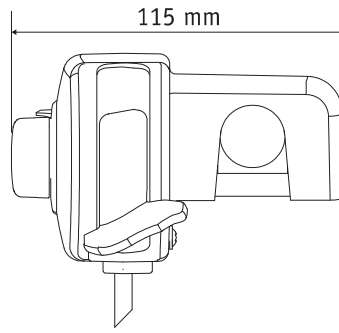
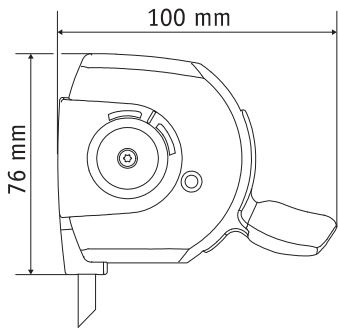
Instruktionsbok

SE

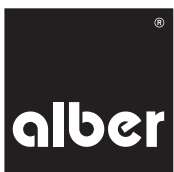


CE





Contents	
1. Introduction	2
1.1 Important safety instructions – please observe carefully at all times	2
1.2 Purpose and intended use of viaplus	2
1.3 Permissible operating conditions/locations of operation	2
1.4 Standard scope of delivery	2
1.5 Technical data	3
1.6 The main elements at a glance	4
2. Start-up	5
2.1 Extending drive wheels	6
2.2 Selecting speed at the control unit	7
2.3 Forward travel	7
2.4 Reverse travel	7
2.5 Traversing obstacles	9
2.6 Switching off driving mode	10
2.7 Retracting drive wheels	10
2.8 Anti-tippers	10
3. Battery pack	11
3.1 Direct charging of battery pack	11
3.2 Charging battery pack through the viaplus	11
3.3 Changing fuse in battery pack	12
3.4 General battery information	12
4. Transport	13
4.1 Removing viaplus from wheelchair	13
4.2 Attaching viaplus to wheelchair	14
4.3 Transport instructions for viaplus and wheelchair	16
5. Storage	16
6. Fault signals	17
6.1 LED status indicator continuously on	17
6.2 LED status indicator flash codes	17
6.3 What should I do if ...	18
7. Safety and hazard information	19
7.1 Safety instructions	19
7.2 Obstacles	20
7.3 Danger areas and hazardous situations	20
8. Maintenance, care and disposal	20
8.1 Charging battery pack	20
8.2 Cleaning	21
8.3 Disposal	22
8.4 Re-use	22
8.5 Maintenance	22
9. Warranty and liability	23
9.1 Warranty for defects	23
9.2 Guarantee of durability	23
9.3 Liability	23
10. Product safety information	23
11. Product service life	23
12. Important legal information for the user of this product	24
13. Labels and explanation of symbols	24



1. Introduction

1.1 Important safety instructions – please observe carefully at all times

viaplus is a push and braking aid to be used exclusively by the person accompanying the wheelchair user. The viaplus must under no circumstances be used as an electric drive system by the wheelchair user alone.

For safety reasons, the viaplus must only be operated by persons who

- have been instructed in its handling and operation
- are physically and mentally in a position to operate the device properly and according to the given operating conditions and situations.

Instruction in the handling and operation of the device is included in the scope of delivery. Please contact your specialist dealer or Alber representative to arrange for a training session. The instruction is free of charge.

If you feel a little unsure how to handle the viaplus, please contact your specialist dealer or Alber representative for advice.

For the operation of the viaplus, observe the specifications of the wheelchair manufacturer (e.g. maximum slope, air pressure of tyres, etc.), and strictly adhere to the operating instructions of the wheelchair. Never exceed any of the specified limit values.

Before using a mobile phone or similar device, always secure the wheelchair on level ground and switch off the viaplus.

Avoid strong electromagnetic fields (for example near large electric motors), as they might interfere with the viaplus.

When in operation, the viaplus might under certain circumstances interfere with other electrical equipment such as anti-shoplifting barriers in department stores.

2



Therefore do not start the viaplus before you have been properly instructed in its operation by an authorised specialist dealer or Alber representative!

1.2 Purpose and intended use of viaplus

The viaplus is an add-on drive attached to a manually operated wheelchair to assist the attendant of a wheelchair user in pushing the wheelchair. It thus enables people to take long drives without tiring as the effort for pushing and braking is greatly reduced. The electric motor of the viaplus makes it easy to push the wheelchair up a slope. When travelling down a slope, the viaplus reduces the speed to the set level, which makes operation of the wheelchair safer even on steep slopes.

Before using the viaplus, carefully read all safety instructions and hazard information in chapter 7.

1.3 Permissible operating conditions/locations of operation

- Observe the permissible operating conditions of the wheelchair to which the viaplus is attached (see wheelchair manual). Any limits regarding the operation of the wheelchair (e.g. maximum climbing capability, maximum permissible height of obstacles, max. load, etc.) must be strictly adhered to.
- Avoid using the wheelchair on soft ground (e.g. loose chipping, sand, mud, snow, ice or deep puddles).
- Always observe the safety and hazard information in chapter 7.

1.4 Standard scope of delivery

- Drive unit
- Control unit
- Battery charger
- Battery pack
- Operating instructions
- Warranty information

1.5 Technical data

Drive unit

Range:	max. 16 km(*)
Speed:	6 km/h
Slope:	max. 5,71° (10 %) (for user weight of 120 kg)
Motor power rating:	150 W

Battery pack

Batteries:	2 x 12 V, 12 Ah, approved by IATA and DOT for aircraft transport
Rated operating voltage:	24 V
Operating temperature:	ambient temperature range (approx. -25 °C to +50 °C)

Weight of components

Battery pack:	6.0 kg
Drive unit:	10.7 kg
Control unit:	0.3 kg
Battery charger:	0.5 kg
Total weight:	20.5 kg

(*) The range depends on the terrain and the prevailing driving conditions. The specified maximum range is valid for optimum travel conditions (level terrain, fully recharged batteries, ambient temperature around 20 °C, smooth travel, etc.).



The viaplus and the corresponding off-board charger comply with the applicable sections of standard EN 12184 for electric wheelchairs and standard ISO 7176-14 for wheelchairs and comply with the EU Medical Devices Directive (MDR) 2017/745. The viaplus is a Class I medical device.

We reserve the right to modify the design and technology of our products to incorporate the latest developments.

Battery charger

For technical information and user instructions, please refer to the separate operating manual of the battery charger.

1.6 The main elements at a glance

(please fold out overview drawing in document cover)

Drive unit

Plug	1
Socket for control unit plug	2
Charger socket at chassis	3
Bolt	4
Spacer ring	5
Pedal	6
Wheel	7
Mounting fork	8

Control unit

Control unit housing	9
Control button	10
LED status indicator	11
Driving lever	12
Plug	13

Battery pack

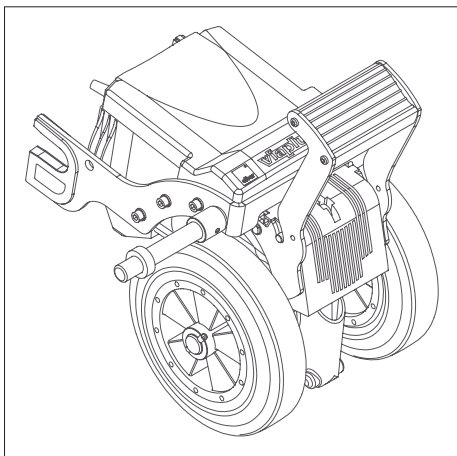
Plug contact	14
Fuse, 25 A	15
Hinged cover	16
Charger socket at battery pack	17
Battery pack housing	18

Battery charger

Charging plug	19
Charger housing	20
Charge indicator	21

Wheelchair

Bracket	22
Quickpin	23
Mounting fork	24
Cross strut of wheelchair	25

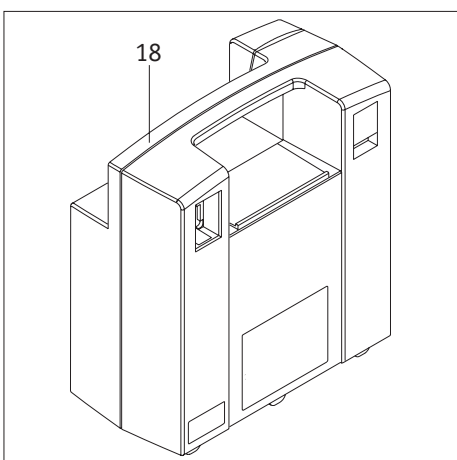


2. Start-up

The viaplus is supplied to you ready for operation. This means that

- a special bracket [22] to which the viaplus is attached has been mounted to both sides of the wheelchair,
- the viaplus has been fitted to the wheelchair,
- the viaplus control unit has been mounted on the push handles of the wheelchair,
- a battery pack [18] to power the viaplus has been attached below the wheelchair.

Your viaplus is thus ready for operation and can be started and operated by following the instructions in the chapters below.



The installation of the bracket [22] and all necessary adjustments to the viaplus must be carried out by Ulrich Alber GmbH, its representative or your authorised specialist dealer.



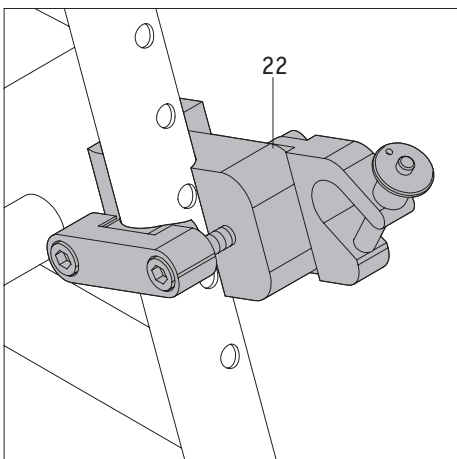
Regularly check the bracket [22] to ensure that it is firmly secured to the wheelchair. If a screw connection has become loose, contact your specialist dealer or Alber representative to have it retightened. It might be necessary to readjust the device.

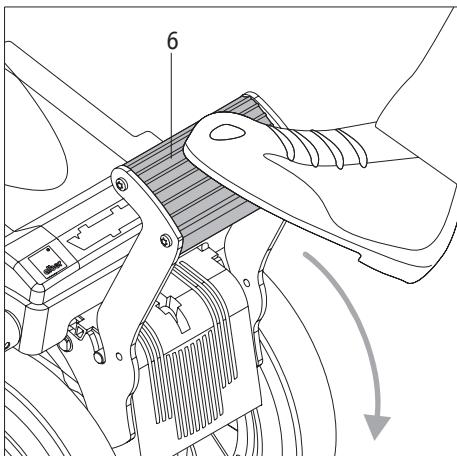


Ulrich Alber GmbH provides brackets of various design (single-part or multiple-part brackets). The bracket shown in figures in this operating manual might therefore deviate from that attached to your bracket.



Before starting the viaplus, carefully read the operating manual and in particular chapter 7 (safety and hazard information).



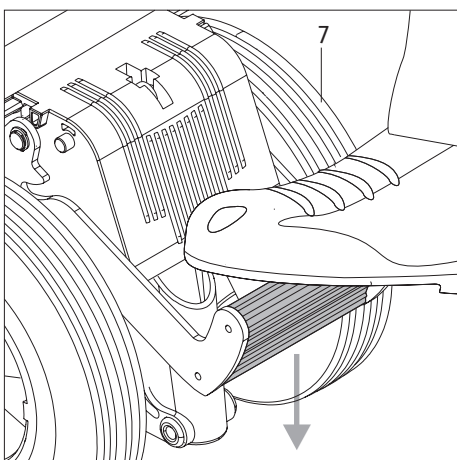


2.1 Extending drive wheels

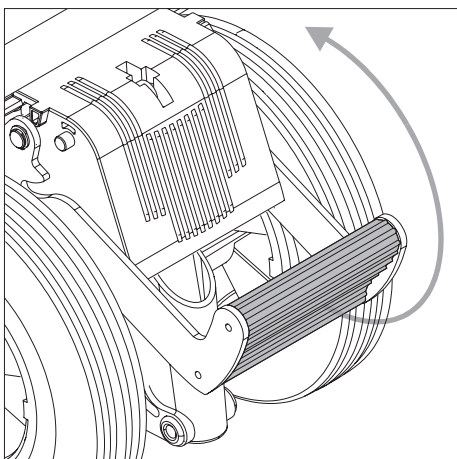
When not in use, the drive wheels [7] of the viaplus are located approx. 2 cm above the ground. This allows you to move the wheelchair without the viaplus.

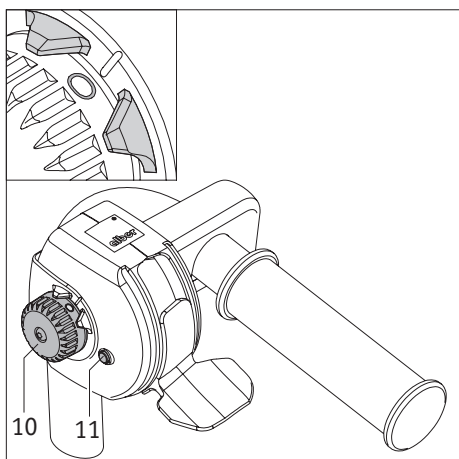
To activate the electric push and braking aid, you must first lower the two wheels [7] to the ground. To do this, proceed as follows:

- Hold the wheelchair by its handles.
- Using the tip of your foot, fold down the pedal [6] of the viaplus from its resting position.
- When the pedal [6] is in its centre position, push it down firmly with your foot to extend the two retracted drive wheels [7].
- When the wheels [7] are extended, swivel the pedal [6] back to its initial resting position.



**After each use, swivel the pedal [6] back to its resting position!
If the pedal [6] is not swivelled to its resting position, the viaplus could malfunction and the braking behaviour of the viaplus might be impaired!**





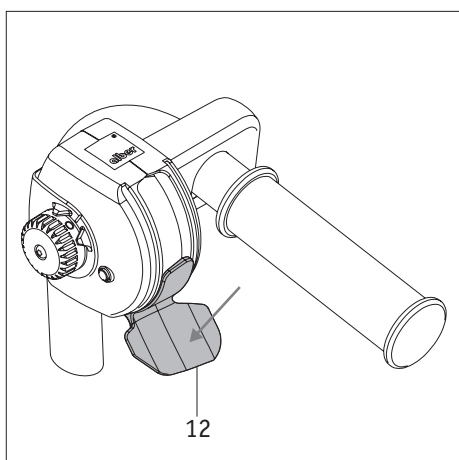
2.2 Selecting speed at the control unit

The scale positions on the button [10] are assigned as follows:

- Position "0": the viaplus is switched off; the LED status indicator [11] is off.
- Positions "1" to "6": preset speed (continuously adjustable from "1" = 1 km/h to "6" = 6 km/h); the LED status indicator [11] is on.
- Position "R": the brake of the viaplus is disabled and the drive wheels are set to idle rolling mode. The LED status indicator [11] is on.

To select the speed at which you wish to operate the wheelchair, turn the button [10] to the respective position (1-6).

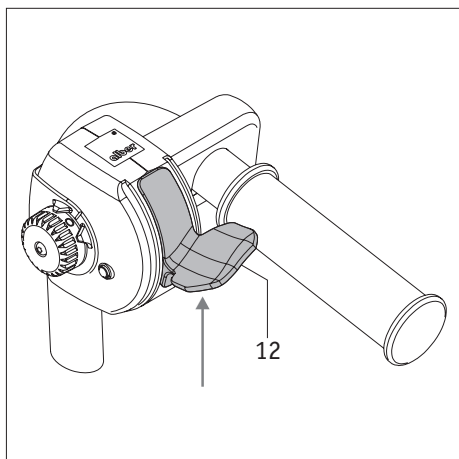
To switch off the viaplus, turn the button [10] to position "0".



2.3 Forward travel

- Hold the viaplus with both hands by the handles of the wheelchair.
- Push the driving lever [12] slowly down to the stop, using your thumb.

As long as the driving lever [12] is pushed down, the viaplus drives the wheelchair forward. When the driving lever [12] is released, it automatically returns to its initial (centre) position. The viaplus is thus stopped and the brakes are applied.



2.4 Reverse travel

- Hold the viaplus with both hands by the handles of the wheelchair.
- Push the driving lever [12] slowly up to the stop.

As long as the driving lever [12] is pushed up, the viaplus drives the wheelchair backwards. When the driving lever [12] is released, it automatically returns to its initial (centre) position. The viaplus is thus stopped and the brakes are applied with an audible click.



When starting the viaplus for the first time, operate it at minimum speed (set speed select button to position „1“) and familiarise yourself with the drive behaviour of the device. You can then gradually increase the speed and operate the device in forward and reverse mode. After a few minutes, you will have developed a feel for the safe operation of the viaplus.



The viaplus is protected against inadvertent drive actuation. It is therefore not possible to first actuate the driving lever [12] and then switch on the viaplus. If the driving lever is actuated before the viaplus is switched on, the device is blocked and the LED status indicator [11] flashes 6 times (for fault codes, see chapter 6.2). In this case, you must switch off the viaplus by turning the button [10] to position „0“ and then switch it on again.



While operating the add-on drive, keep an eye on the LED status indicator [11] for possible fault signals (see also chapter 6.2). If the indicator flashes at uniform intervals during driving, the battery pack of the viaplus needs to be recharged. Terminate your trip with the viaplus as soon as possible. If this is not possible, switch off the viaplus as soon as this is possible (see chapter 2.6) and retract the drive wheels (see chapter 2.7). You can then push the wheelchair without the assistance of the add-on drive.



When driving along bends, turning the wheelchair or driving uphill or downhill, the centre of gravity of the wheelchair might be shifted so that there is a risk that the wheelchair might tip over to the side. Therefore proceed with extreme care and reduce the speed of the add-on drive!



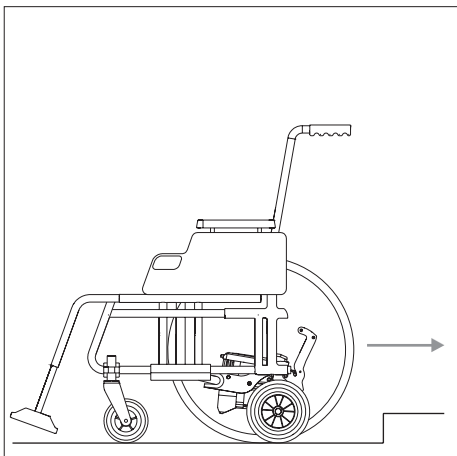
For safety reasons, the brakes are automatically applied if the wheelchair is moving too fast (pushed or rolling freely).



Never secure the driving lever [12] in a position using a strap or similar object. Only operate the driving lever with your thumb.



Do not attach bags or similar objects to the handlebars of the wheelchair or to the driving lever [12], as this could prevent the lever from returning to its neutral position.



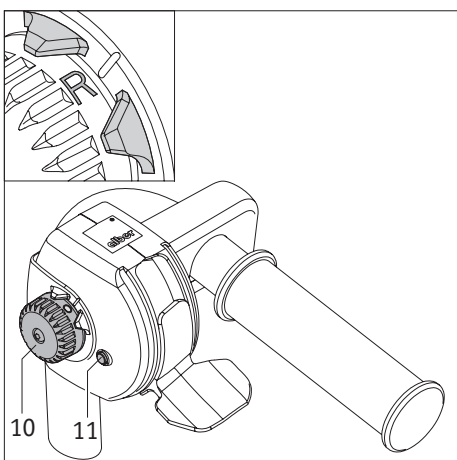
2.5 Traversing obstacles

Obstacles higher than 3 cm (such as kerbs) must be traversed backwards with the viaplus switched off.

- Retract the drive wheels [7] (see chapter 2.7).
- Turn the button [10] to position "R" to set the viaplus to idle rolling mode. The brake of the viaplus is disabled and the drive wheels are set to idle rolling mode. The LED status indicator [11] is constantly on.
- Lift the wheelchair by its handles and pull it backwards over the obstacle.

After having traversed the obstacle:

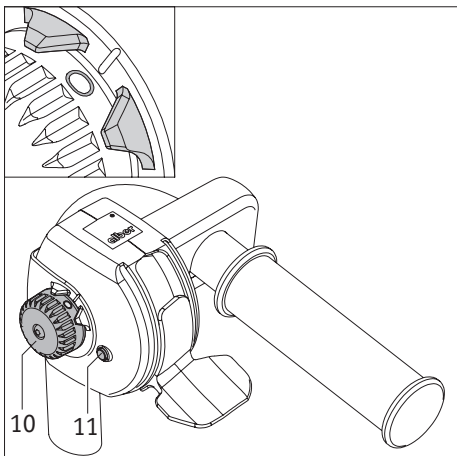
- Lower the drive wheels [7] again (see chapter 2.1).
- Select the desired speed at the control unit [9] (see chapter 2.2) and continue your trip.



Never switch to idle rolling mode when driving up or down a slope. There is a risk that the wheelchair could be inadvertently set in motion!



When climbing or descending across kerbs, observe the maximum obstacle height specified by the wheelchair manufacturer.

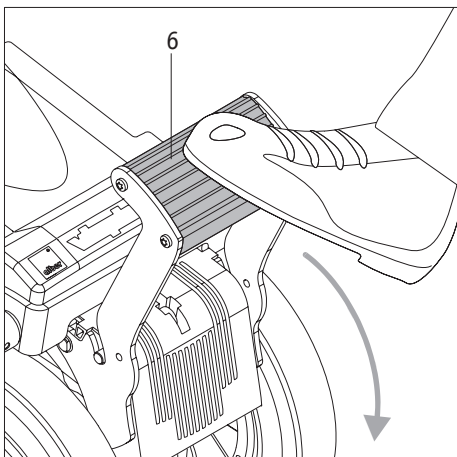


2.6 Switching off driving mode

To switch off the driving mode, turn the button [10] to position "0". The viaplus is now switched off and the LED status indicator [11] is off.



When not in use, switch off the viaplus to prevent unnecessary discharge of the battery pack.



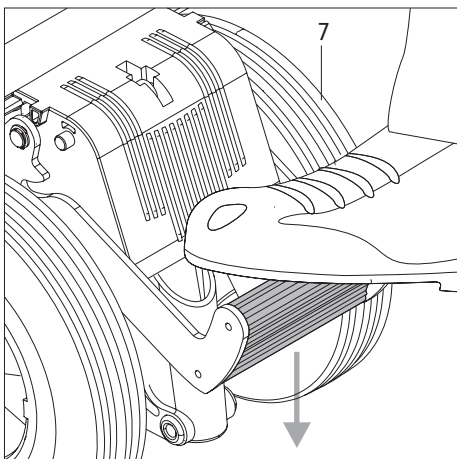
2.7 Retracting drive wheels

After switching off the viaplus, you must retract the drive wheels [7]. To do this, proceed as follows:

- Ensure that the viaplus is switched off (see chapter 2.6).
- Using the tip of your foot, fold down the pedal [6] of the viaplus from its resting position.
- When the pedal [6] is in its centre position, push it down firmly with your foot to retract the two lowered drive wheels [7].
- After the wheels [7] are fully retracted, fold the pedal [6] up to its resting position.



After each use, swivel the pedal [6] back to its resting position! If the pedal [6] is not switched to its resting position, the add-on drive might not work properly and its braking function could be impaired!

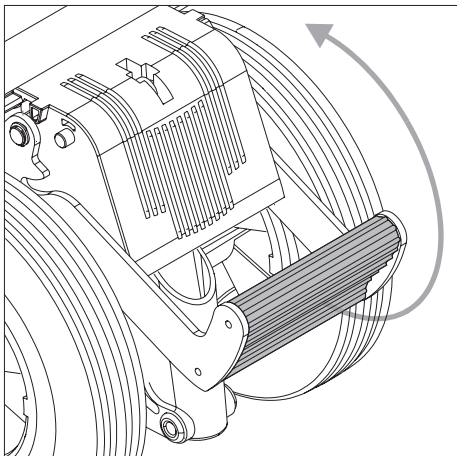


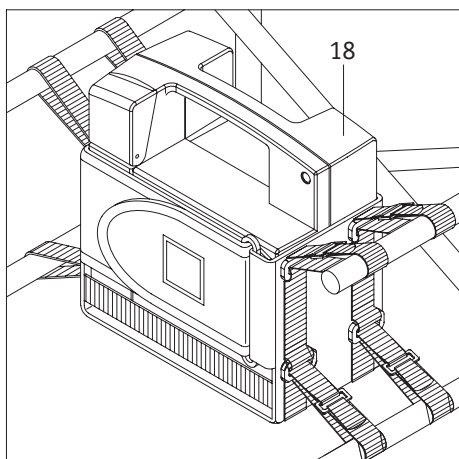
2.8 Anti-tippers

We strongly recommend equipping the wheelchair with anti-tippers, as they greatly enhance safety when driving on level ground.

When climbing slopes of more than 4.57° (8%), the use of anti-tippers (installed in pairs) is mandatory. Only attach the anti-tippers supplied by the wheelchair manufacturer.

Please note that certain wheelchair models must always be equipped with Alber anti-tippers. This requirement is based on the results of combined tests carried out for the compilation of the bracket list.

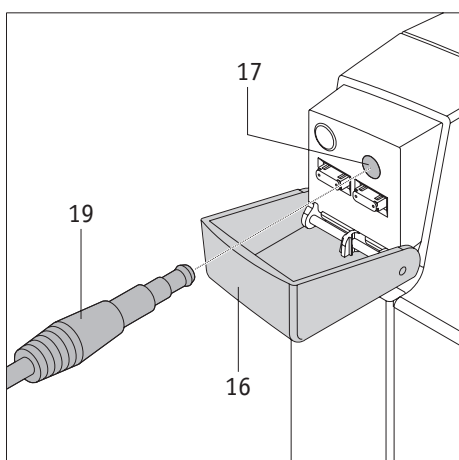




3. Battery pack

The viaplus is powered by a battery pack [18] attached to the wheelchair. The battery pack is located in a battery pack bag (see diagram) or in a metal battery box.

The battery pack should normally remain attached to your wheelchair. It can however be removed from the bag or box, if you need to lift or transport the wheelchair. To charge the battery pack, follow the instructions below.

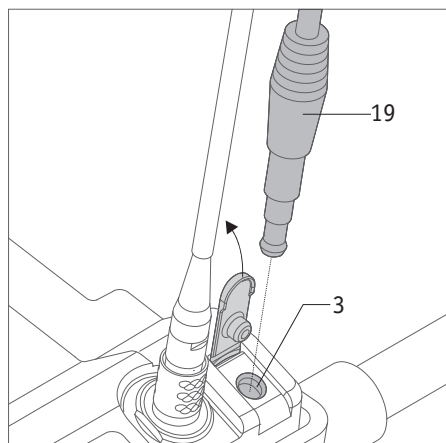


3.1 Direct charging of battery pack

- Fold the hinged cover [16] of the battery pack down by 90 degrees.
- Insert the plug [19] of the battery charger [20] into the charger socket [17] of the battery pack.
- Insert the mains plug of the battery charger into a mains socket. The battery pack is now being charged, and the charge indicator [21] at the charger is lit in orange.
- When the charge indicator [21] at the charger changes to green, the battery pack is fully charged.

After charging:

- Disconnect the mains plug of the battery charger [20] from the mains socket.
- Disconnect the plug [19] of the battery charger from the charger socket [17] of the battery pack.
- Fold the hinged cover [16] up by 90 degrees and close it.



3.2 Charging battery pack through the viaplus

- Remove the rubber cap of the charger socket [3].
- Insert the plug [19] of the battery charger [20] into the charger socket [3].
- Insert the mains plug of the battery charger into a mains socket. The battery pack is now being charged, and the charge indicator [21] at the charger is lit in orange.
- When the charge indicator [21] at the charger changes to green, the battery pack is fully charged.

After charging:

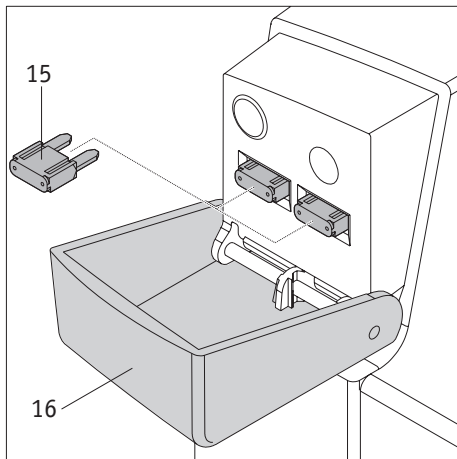
- Disconnect the mains plug of the battery charger [20] from the mains socket.
- Disconnect the plug [19] of the battery charger from the charger socket [3] of the viaplus.
- Seal the charger socket [3] with the rubber cap.



For safety reasons, the viaplus cannot be started while it is being charged. The viaplus can only be switched on after the plug [19] has been disconnected.



For the charging of the battery pack, observe the instructions in the operating manual of the charger.



3.3 Changing fuse in battery pack

At the rear of the battery pack [18]:

- Disconnect the plug [1] from the socket [14] (see chapter 4.1) so that there is no electric connection between the battery pack and the viaplus.

At the front of the battery pack [18]:

- Fold the hinged cover [16] of the battery pack down by 90 degrees.
- Remove the defective fuse [15] from the battery pack.
- Replace the defective fuse with a new 25 A blade-type fuse (available from your electrical or medical equipment supplier).
- Fold the hinged cover [16] up by 90 degrees.

At the rear of the battery pack [18]:

- Reconnect the battery pack to the viaplus by inserting the plug [1] into the socket [14] at the battery pack (see chapter 4.2).



If fuses must be replaced frequently, the viaplus might be defective. Contact your authorised specialist dealer or Alber representative to arrange for a technical inspection of your viaplus.

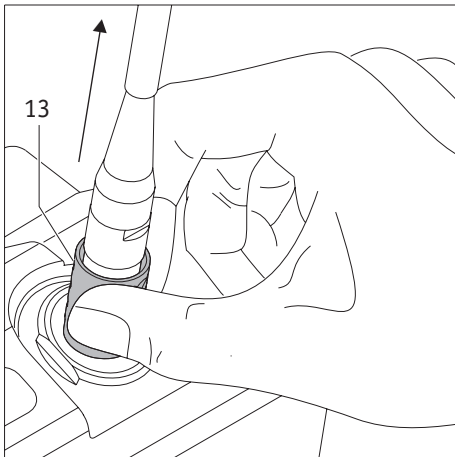
3.4 General battery information

The batteries of the viaplus require no maintenance and are rechargeable. Their service life depends heavily on the depth of discharge. You can prolong the service life of your batteries by recharging them regularly.

- Avoid completely discharging the battery pack. Recharge the battery pack of the viaplus after each partial discharge, i.e. after every use of the device.
- Lead batteries are subject to what is known as self-discharge. If the battery pack is not in use for a prolonged period of time (without charging), its capacity can become reduced. Therefore regularly recharge the battery pack, if it is not in use for some time. Normally, the full battery capacity is recovered after a number of charging/discharging cycles.
- If the battery pack is handled incorrectly, there is a risk of liquid electrolyte spilling out. This liquid can cause injury to skin and damage to clothing.
- In the event of contact of the electrolyte with eyes or skin, immediately rinse the affected area with clean water and consult a doctor.
- Do not burn battery packs and protect them against naked flames as they can explode when exposed to heat.
- Protect the battery pack against water. Do not immerse it as this could result in short circuits and permanent damage to the batteries.
- Do not short-circuit the battery pack. Short circuits result in high currents, which can cause damage to the battery pack and/or the viaplus. Short circuits can also cause fire.
- When the batteries have reached the end of their service life, return them to your Alber representative or authorised specialist dealer for proper disposal.



The battery pack of your viaplus can be charged/discharged in any chosen position. As the batteries are as safe as dry cells, they are approved by DOT and IATA for transport in airplanes.



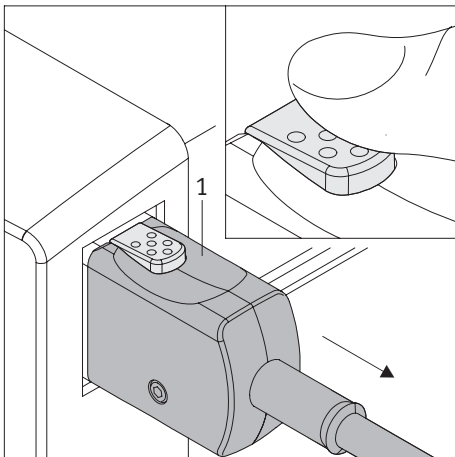
4. Transport

Normally, the viaplus is permanently attached to the wheelchair. If necessary for transport, the system can however be dismantled into its individual components. To do this, proceed as follows:

4.1 Removing viaplus from wheelchair

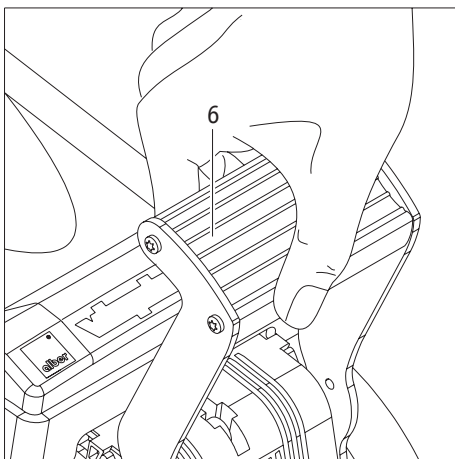
At the chassis:

- Switch off the viaplus (see chapter 2.6).
- Hold the plug [13] by the release sleeve and pull it out from the socket [2] at the chassis. **Do not turn the plug during the release.**
- The control unit remains attached to the handle of the wheelchair.



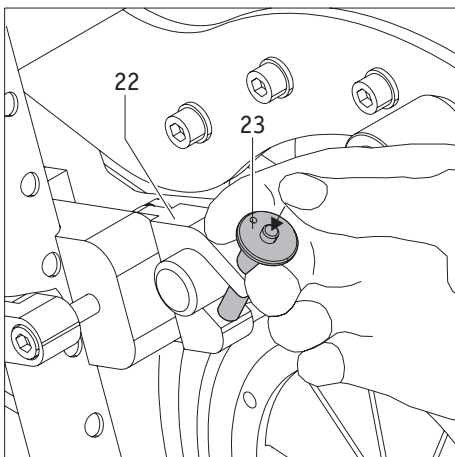
At the rear of the battery pack [18]:

- Using your thumb and index finger, push together the two locking mechanisms on the plug [1] of the viaplus.
- Disconnect the plug [1] from the socket [14] of the battery pack.
- Remove the battery pack from the bag or box.



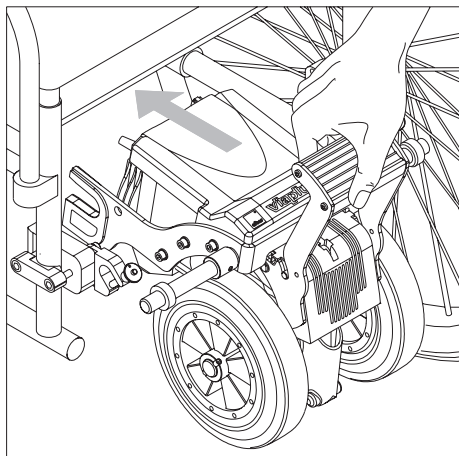
At the viaplus:

- Retract the drive wheels (see chapter 2.7).
- Hold the viaplus at the pedal [6].



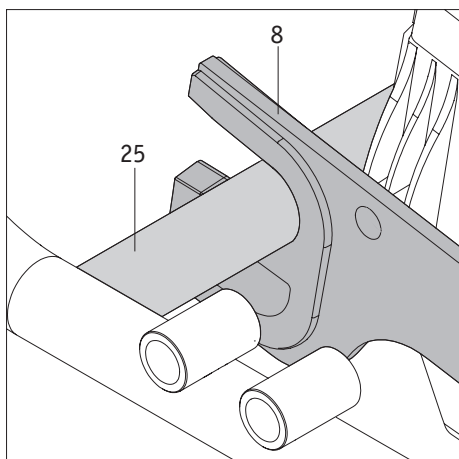
At the wheelchair (both sides):

- Push in the releasing device at the centre of the quickpin [13], using your thumb.
- Pull the quickpin [13] from the bracket [22].
- The viaplus is now detached from the wheelchair and can be removed by holding it by the pedal.
- To transport the unit, ensure that all components of the viaplus are properly stowed away.
- Observe the instructions for the transport of the viaplus and the wheelchair in chapter 4.3.



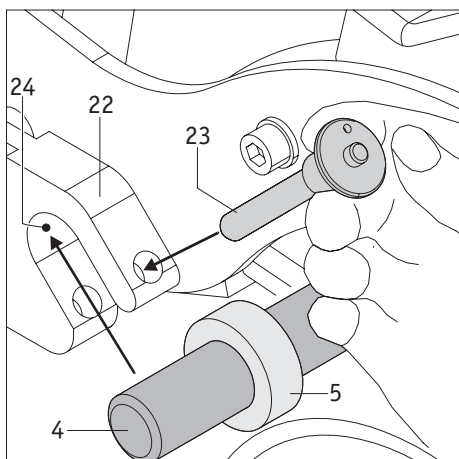
4.2 Attaching viaplus to wheelchair

To attach the viaplus to the wheelchair, we recommend holding the unit by its pedal [6] and sliding it under the wheelchair.

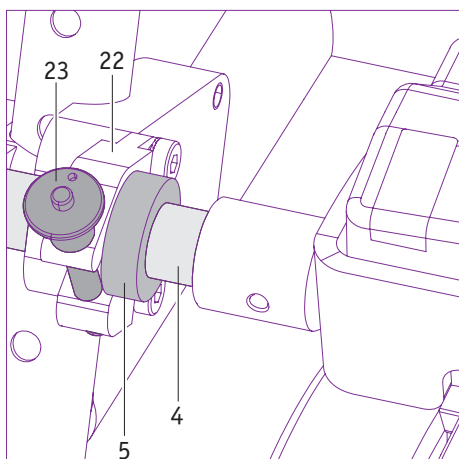


At the wheelchair (both sides):

- Ensure that the mounting forks [8] engage at the cross strut of the wheelchair [25] as shown in the diagram.

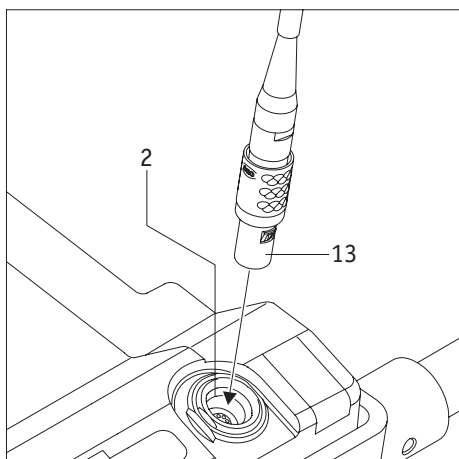


- Slide the bolts [4] of the viaplus into the mounting forks [24] of the bracket [22]. The setting ring [5] attached to the bolt [4] must thereby be located inside the bracket [22] (i.e. towards the centre of the wheelchair).
- Press down the releasing device at the centre of the quickpin [23] and move the quickpin to the stop through the mounting fork [24] and along the inserted bolt [4].



Ensure that the viaplus is properly attached to the two brackets [22] mounted on the wheelchair.

It must be impossible to remove the viaplus from the mounting forks [24] without first removing the quickpin [23]!



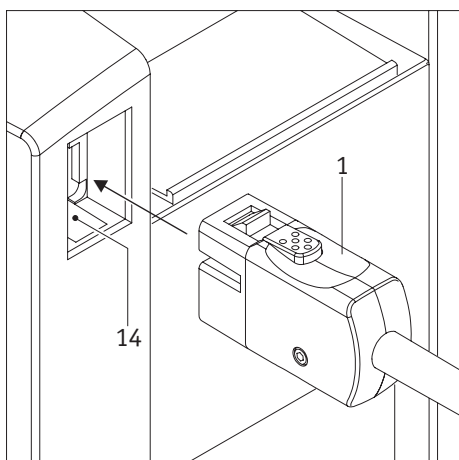
At the chassis:

- Insert the plug [13] of the control unit into the socket [2] at the chassis until locked.



To avoid damage:

Take care to the right position (see notch at the plug) before you insert the plug.



At the rear of the battery pack housing [18]:

- Place the battery pack in the bag or box and secure it with the Hook and Loop Fastener.
- Insert the plug [1] into the socket [14] of the battery pack.
- Check whether the plug [1] is properly engaged in the socket [14] so that it cannot inadvertently become loose.

Your viaplus is now ready for operation and can be started.

4.3 Transport instructions for viaplus and wheelchair

- To transport the wheelchair, follow the instructions of the wheelchair manufacturer. You might need to secure the wheelchair or certain components.
- During transport, the viaplus or its dismantled parts must be properly secured so that they do not pose a risk to the driver or passengers in the event of a sudden brake manoeuvre.
- Please check whether there are specific statutory regulations regarding the transport of wheelchairs, wheelchair wheels or add-on drives in your country and strictly adhere to these regulations.
- For safety reasons, it is strictly forbidden to sit in the wheelchair while travelling in another vehicle.
- Always adhere to the statutory requirements.
- Ulrich Alber GmbH and its agents shall not be liable for any damage resulting from non-compliance with these instructions.

5. Storage

- To store the viaplus, place it on a surface that is easy to clean.
- If you wish to store the viaplus for a prolonged period of time, you must keep the device and in particular the battery pack in a dry environment, preferably at room temperature (+15 °C to 25 °C).
- Recharge the battery pack every 30 days with the supplied battery charger. This ensures that your viaplus is working properly even after prolonged storage.
- After the battery pack has been charged, disconnect the charger from the power mains.
- The batteries consist of dry cells. If stored and handled correctly, they are leak-proof and do not require any maintenance apart from regular recharging. For more details regarding the batteries used in the viaplus, see chapter 3.4.
- If the viaplus is to be stored for a prolonged period of time together with the wheelchair, we recommend lifting the drive wheels from the ground by operating the pedal (see chapter 2.7).
- Switch on the viaplus once a month and move the wheelchair a few meters forward and back to prevent seizing of the brake and similar damage.

6. Fault signals

6.1 LED status indicator continuously on





As a rule, the LED status indicator [11] is continuously on, if the viaplus is working properly.

If the battery pack is nearly empty, its residual capacity might under certain circumstances not be large enough to activate a flash code. In this case, the LED status indicator remains continuously on until the battery pack is fully discharged. Recharge the battery.

6.2 LED status indicator flash codes

Faults in the operation of your viaplus are indicated by means of flash codes of the LED status indicator [11].

Codes:

LED flash code	Cause of problem	Remedy
 (flashing 1x)	The battery pack of the viaplus is discharged.	Recharge the battery pack as soon as possible.
 (flashing 3x)	The battery pack has been automatically recharged to its full capacity by the motor during downhill travel.	Switch the viaplus off and on again (see chapter 2.2/2.6). Continue the downhill travel at the lowest possible speed. If possible, avoid prolonged steep descents while the battery pack is fully recharged.
 (flashing 6x)	The locking device to prevent unintentional drive function activation has noticed that you have actuated the driving lever [12] while switching on the viaplus.	Release the driving lever [12] and switch off the viaplus. Then switch on the viaplus again without actuating the driving lever [12].
 (flashing 9x)	Internal error	Switch the viaplus off and on again (see chapter 2.2/2.6). If the error persists, the viaplus cannot be used. Contact your authorised specialist dealer or Alber representative.



If one of the fault codes listed in the table above occurs, the electronic system of the viaplus has detected a fault or defect in the device. In such a case, it is not possible to operate the add-on drive. Contact your authorised specialist dealer or Alber representative.

6.3 What should I do if ...

Some common faults can be easily rectified as follows:

What should I do if ...	Remedy	Contact ...
the battery pack cannot be recharged	This defect can only be repaired at the factory	your authorised specialist dealer or Alber representative
the viaplus cannot be switched on	Check the following: – Is the battery pack recharged? – Are the fuses in the battery pack defective?	
the viaplus cannot be switched on, although the battery pack is fully recharged and all fuses are OK	This defect can only be repaired at the factory	your authorised specialist dealer or Alber representative
the viaplus suddenly stops	Switch the viaplus off and then on again. If the problem persists, the device is defective and must be returned to the factory	your authorised specialist dealer or Alber representative
the viaplus makes a noise but fails to move	Check whether the drive wheels are touching the ground or have inadvertently been retracted (see chapter 2.1)	



If a fault that is not listed in the above table occurs, the add-on drive is normally disabled. Contact your authorised specialist dealer or Alber representative for advice.

7. Safety and hazard information

To ensure safe operation and use of your viaplus, strictly adhere to the following instructions.

7.1 Safety instructions

Before using the viaplus:

- Before using the viaplus to drive up or down a slope, practice the operation of the add-on drive on level ground.
- The viaplus must only be attached to wheelchairs that have been approved by Ulrich Alber GmbH for operation with the add-on drive.
- The bracket for the viaplus must be installed by Ulrich Alber GmbH or your authorised specialist dealer. It is forbidden to modify the bracket. If modifications are necessary, contact Ulrich Alber GmbH, an Alber representative or your authorised specialist dealer.
- When using the viaplus, always strictly adhere to the operating instructions of the wheelchair.
- The viaplus must only be operated by the attendant. As there is a risk that the wheelchair might topple over when driving on slopes, the viaplus must not be used as a self-drive device. The attendant must at all times be in a position to prevent tipping over of the wheelchair with passenger. Please note that the wheelchair might tip over forward or backwards.
- We strongly recommend equipping the wheelchair with anti-tippers. When climbing slopes of more than 8%, the use of anti-tippers (installed in pairs) is mandatory.
- The parking brakes of the wheelchair to which the viaplus is attached must be positioned in such a way that they can be easily operated by the attendant while pushing the wheelchair.
- Before setting the wheelchair in motion, check the drive wheels. If the tyres are worn to the limit (see chapter 8.2), do not use the viaplus and change the tyres.
- Ensure that the air pressure in the wheelchair tyres corresponds to that prescribed by the wheelchair manufacturer.
- The viaplus should be inspected and serviced every two years by Ulrich Alber GmbH, a company representative or your authorised specialist dealer (see chapter 8.5).

When using the viaplus, observe the following:

- Before using the viaplus to drive up or down a slope, practice the operation of the add-on drive on level ground.
- To start the viaplus, set the speed select button to the lowest speed and then gradually increase it to the desired walking speed.
- The viaplus must not be used to drive on slopes of more than 10 %. Under no circumstance must the maximum permissible slope specified by the wheelchair manufacturer be exceeded.
- Before driving down a slope, readjust the speed at the button to ensure that it is not greater than the walking speed of the attendant.
- Do not drive up or down slopes in idle rolling mode.
- Before approaching stairs, precipices or steep slopes, always switch off the viaplus add-on drive.
- While the viaplus is switched on, each actuation of the driving lever [12] is converted into a drive command. It is therefore imperative that inadvertent actuation is prevented. When stopping or waiting in potentially dangerous positions (e.g. while waiting at a traffic light, in front of slopes or ramps of any type), switch off the viaplus and do not touch the driving lever [12].
- Ensure that children do not touch the driving lever [12] or set the viaplus in motion.
- Do not attach any objects (shopping bags, etc.) directly on or near the control unit! Such objects might actuate the driving lever, which could result in inadvertent drive pulses.
- When driving on pavements, keep a safe distance (preferably the width of the wheelchair) from the kerb.
- To drive over kerbs, always switch off the viaplus and push/pull the wheelchair backwards. Lift the wheelchair by its handles and not by the viaplus. When driving over kerbs, observe the maximum climbing height specified by the wheelchair manufacturer.
- Avoid using the wheelchair on soft ground (e.g. loose chipping, sand, mud, snow, ice or deep puddles).
- Never leave the viaplus unattended, even if it is switched off. If this cannot be avoided, remove the battery pack to prevent unauthorised operation of the viaplus.
- During prolonged trips, the drive system of the viaplus might become hot. Do not touch the drive system immediately after a long trip (e.g. to place the viaplus in the car, etc.).
- The performance of the viaplus can be affected by electromagnetic fields, produced for example by mobile phones. Therefore switch off the add-on drive if a mobile phone is used in the vicinity of the wheelchair.
- The viaplus might under certain circumstances interfere with other electrical equipment such as anti-shoplifting barriers in department stores.

After use of the viaplus, observe the following:

- When not in use, the viaplus must be switched off to prevent inadvertent triggering of drive pulses when the driving lever [12] is touched and to prevent complete discharge of the battery.
- Recharge the battery pack of your viaplus as soon as possible after each trip.

7.2 Obstacles

Obstacles that are higher than 3 cm, such as kerbs, must be traversed backwards. For details, see chapter 2.5.



Always observe the maximum permissible obstacle height specified in the operating manual of the wheelchair!

7.3 Danger areas and hazardous situations

The attendant operating the viaplus must decide in each case whether it is safe to use the add-on drive for the intended trip. Issues such as driving experience and physical strength must thereby be taken into account.

Before undertaking a trip, check the viaplus wheels for damage and proper inflation. Also check the battery charge level and the control elements.

These safety checks and the experience of the attendant are of special importance in connection with operation of the add-on drive in or near the following danger areas:

- Quay walls, berths and marinas, paths and areas near water, bridges and dykes without railings.
- Narrow footpaths, steep slopes (e.g. ramps), narrow paths along slopes, mountain paths.
- Narrow and/or steep/inclined paths along main roads or near precipices.
- Paths covered with leaves, snow or ice.
- Ramps and lifting platforms of vehicles.



It is forbidden to use the viaplus to drive along slopes of more than 10 %. The basic safety requirements include proper tyre profiles, correct wheelchair tyre pressure, firm ground and a maximum load of 120 kg on the wheelchair. When driving along bends, turning the wheelchair or driving uphill or downhill, the centre of gravity of the wheelchair might be shifted so that there is a risk that the wheelchair might tip over to the side. Therefore proceed with extreme caution and reduce the speed of the add-on drive!

Special caution is required when crossing main roads, crossroads and level railway crossings! Never push the wheelchair at a small angle over rails, as the wheels could be jammed in the rails!

Proceed with special caution when driving over ramps or lifting platforms of vehicles. Before lifting or lowering the wheelchair on the ramp or lifting platform, switch off the viaplus. Do not actuate the driving lever [12].

Apply the hand brakes of the wheelchair. This prevents inadvertent movement or drive commands.

If the ground is wet, the tyres adhesion might be poor so that there is a risk of slipping. Adjust your driving behaviour accordingly.

8. Maintenance, care and disposal

8.1 Charging of battery pack

Your viaplus uses power in all operating modes. Avoid fully discharging the battery pack, as this could cause damage to the batteries. We recommend recharging the battery pack immediately after every use.

To charge the battery pack, only use the mains charger supplied with your viaplus. This charger is switched automatically when the battery pack is fully recharged, avoiding overcharging.

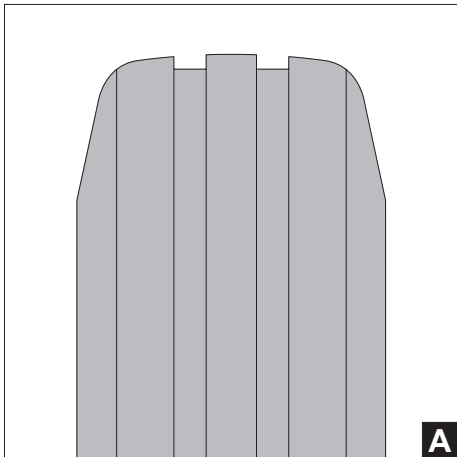
For detailed instructions regarding the battery pack, see also chapter 3.4.

8.2 Cleaning

To clean the viaplus, use only conventional household detergents.

- Clean the drive, handlebar and battery pack only with a moist (not wet) cloth.
- Clean the bracket attached to the wheelchair with a moist (not wet) cloth.
- Regularly clean the drive wheel, using a dry brush or compressed air cleaner.

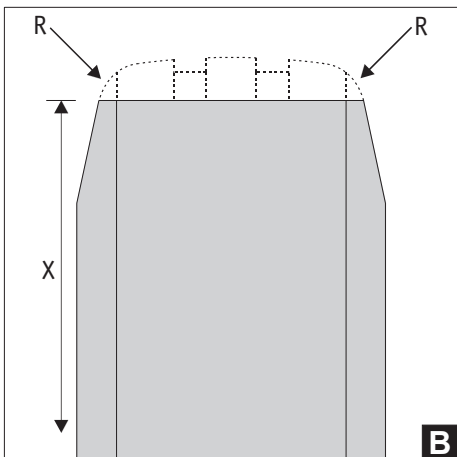
Your viaplus is a low-maintenance device. With the exception of the tyres, the add-on drive does not contain wear parts. To ensure that the drive or braking force respectively of your viaplus is transferred properly, the tyres must not be worn beyond the specified wear limit.



New tyres (see figure A) have a proper tyre profile and thus ensure optimised contact pressure and safe drive behaviour.

If the profile and the side radiuses [R] are not visible any more, the tyre of your viaplus is worn (see figure B). At this point, the diameter [X] of the tyre is 94 mm. The tyre must be replaced without delay as there might not be sufficient contact pressure to the ground.

To change the tyre, contact your authorised specialist dealer or Alber representative.



Should you observe a deterioration of the drive behaviour of your viaplus (e.g. irregular rolling, slipping wheels), contact your authorised specialist dealer or Alber representative to check the tyres.



All service and repair work on the viaplus must be carried out by the manufacturer, an Alber representative or an authorised specialist dealer. If you encounter any problems with your viaplus, contact your authorised specialist dealer or Alber representative.



8.3 Disposal

The add-on drive, its battery pack and accessories are durable products. They might however contain substances that are hazardous to the environment, if the parts are disposed of in locations (e.g. landfills) that are not destined for the disposal of such materials according to the applicable statutory regulations.

The product is labelled in accordance with European Directive 2002/96/EC (WEEE Directive) with a crossed-out waste bin symbol, reminding you that it must be recycled.

Please take care of the environment and return the product at the end of its service life to your local recycling centre.

As this product is not covered by the regulations of the WEEE Directive in all European countries, please inform yourself of the applicable waste disposal regulations in your country. In Germany, the product is for example classified as a transport vehicle and is thus not covered by the Electrical and Electronic Equipment Act implementing the WEEE Directive.

Alternatively, return the product to your authorised specialist dealer or Alber representative for proper and safe disposal.

8.4 Re-use

If your viaplus has been provided to you by your health insurance company and you do not need it any longer, please contact your health insurer, Alber representative or authorised specialist dealer, as your add-on drive can be given to somebody else.

Before re-using the viaplus, its safety must be checked. The brackets with which the viaplus is attached to the wheelchair can be easily and quickly removed by the authorised dealer or Alber representative and mounted on another.

Before re-using the viaplus, clean it as described in chapter 8.2 and disinfect the control unit [9] and the housing of the battery pack [18]. To do this, use a product based on isopropyl alcohol that is suitable for wiping disinfection. The product must have an alcohol concentration of 70 %. Observe the use instructions of the product.

8.5 Maintenance

In Germany, the maintenance of medical products is regulated by law in the Medical Device Directive (MPBetreibV), Section 7. According to this law, maintenance measures, especially inspections and servicing, are required in order to ensure continuous safe and proper operation of medical products.

Based on our market observations, an interval of two years has proven reasonable for maintenance of our products when used under normal operating conditions.

This guideline value of two years may vary depending on the actual use of the product and the behaviour of the user. Checking the degree of use and the user behaviour is the responsibility of the operator.

In any case, we strongly recommend that you clarify beforehand to what extent the cost of the maintenance work for our products is covered by your health insurance provider, especially with regard to any existing contracts.

9. Warranty and liability

9.1 Warranty for defects

Ulrich Alber GmbH guarantees that the viaplus is free of defects at the time of delivery. The warranty expires 24 months after the date of delivery of the viaplus.

9.2 Guarantee of durability

Ulrich Alber GmbH grants a 24-month guarantee of durability for your viaplus (exception: the guarantee period of the battery pack is 12 months).

The guarantee of durability shall not apply to:

- devices whose serial number have been tampered with or removed,
- wear parts such as brakes, tyres and control elements,
- defects caused by normal wear, incorrect handling including non-compliance with the instructions in this operating manual, accidents, reckless damage, damage caused by fire, water, force majeure and other events that are outside the control of Ulrich Alber GmbH,
- parts that might need to be serviced or replaced as part of normal use (e.g. replacement of tripped fuses, change of tyre),
- device inspection without detection of a fault or defect.

9.3 Liability

Ulrich Alber GmbH as the manufacturer of the viaplus add-on drive shall not be liable for its safety, if

- the viaplus is handled or operated incorrectly,
- the viaplus has not been serviced at the prescribed two-year intervals by an authorised specialist dealer, Alber representative or Ulrich Alber GmbH,
- the viaplus has been operated in contravention to the instructions in this operating manual,
- the viaplus has been operated with insufficient battery charge,
- the viaplus has been repaired or modified by a person not authorised to carry out such work,
- third-party parts have been attached to the viaplus,
- components of the viaplus have been removed.

10. Product safety information

All the components of your viamobil have undergone functional tests and extensive inspections. However, in the event of an unforeseeable impairment in the operation of the viamobil, the following web pages contain prompt and appropriate safety information for customers:

- Homepage of Alber (manufacturer of the viamobil)

If corrective measures are necessary, Alber will notify the specialist dealer, who will then contact you.

11. Product service life

We expect an estimated average service life of five years for this product, provided that the product is used as intended and maintained and serviced in accordance with all the instructions specified in the operating manual. This service life can be extended by handling, servicing, maintaining and using the product with care and if there are no technical limitations that arise from further developments in science and technology. However, the service life may also be reduced significantly by excessive or improper use. The service life required by the applicable standards does not constitute an additional warranty.

12. Important legal information for the user of this product

Incidents that occur due to product malfunctions and result in serious personal injury are to be reported to the manufacturer and the competent authority of the EU Member State in which the user is established.

With regard to the Federal Republic of Germany, these are:

- Alber GmbH (see the back of this operating manual for details of the address)
- The German Federal Institute for Drugs and Medical Devices (BfArM),
Kurt-Georg-Kiesinger-Allee 3
53175 Bonn
www.bfarm.de





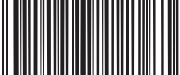
With regard to EU Member States, please notify:

- Your Alber dealership (see the back of this operating manual for details of the address)
- The authorities in your country responsible for incidents involving medical devices

An overview of the competent authorities can be viewed online at: <http://ec.europa.eu/growth/sectors/medical-devices/contacts/>

13. Labels and explanation of symbols

There are labels on the wheels and the battery charger which contain various details on the product. In case of a fault in the device, components can be replaced by your specialist dealer within the Alber exchange pool. For this purpose, your specialist dealer will require certain items of information from the labels.

Systemnr. / System No.	V12200075	
Produkt [Product]	viaplus V12	
Betriebsspannung [Nominal Voltage]	24 V	
Max. Geschwindigkeit [Max. Speed]	6 km/h [3.7 mph]	
Motor Nennleistung [Rated Power]	150 W	
Nenn-Steigung [Rated Slope]	5,71° [10%]	
		
		
Alber GmbH Vor dem Weissen Stein 14 D-72461 Albstadt Made in Germany		
(01)04046727143503 (11)200217 (21)V12200075		

System label


Please specify the system number when exchanging a device as part of the Alber exchange pool.

**Wartung
Maintenance**

am/at:



durch/by:

in (PLZ)/in:

01	nächste	07	
02	next	08	
03		09	
04		10	
05		11	
06		12	
2021	2022	2023	2024

“Maintenance” label

This label indicates the time of the next maintenance due.

 Alber GmbH www.alber.de ACHTUNG! Vor der Benutzung ist die Gebrauchsanweisung zu lesen. Nur zur Verwendung in trockenen Räumen. Vom Netz trennen, bevor Verbindungen zum Akkumulator geschlossen oder geöffnet werden. Explosive Gase, Flammen und Funken vermeiden. Für ausreichende Belüftung sorgen. Ausschließlich zu Ladung von Blei-Gel-Akkumulatoren. Bei der Verwendung anderer Akkumulatoren besteht Explosionsgefahr. CAUTION! Read user manual before use. Must not be used outside for use in dry rooms only. Disconnect the supply before making or breaking the connection to the battery. WARNING! Explosive gases. Prevent flames and sparks. Provide adequate ventilation. Use only LEAD GEL type rechargeable batteries, other types may explode. ATTENTION! Lire le mode d'emploi avant d'utiliser l'appareil. Utiliser uniquement à l'intérieur dans un endroit sec. Ne jamais débrancher l'alimentation avant de connecter ou déconnecter les batteries. AVERTISSEMENT: Gaz explosif, éviter toute flamme ou étincelle. Fournir une ventilation adéquate. Utiliser uniquement des piles rechargeables sèches au plomb, les autres types de piles risquent d'exploser. 警告！使用する前に取扱説明書をお読みください。乾燥した部屋でのみ使用してください。接続する前に電源を切断してください。爆発の危険があります。鉛-ゲル電池の充電専用機器を使用してください。他のタイプの充電電池を使用すると、爆発の危険があります。	BATTERY CHARGER Gerätetyp/ type reference/ モデル: BC2410LA Ausgangsspannung/ rated output voltage/ 出力電圧: 24V== Ausgangsstrom/ rated output current/ 出力電流: 1A Eingangsspannung/ rated input voltage/ 入力電圧: 100 - 240V - 50-60Hz Aufnahme Strom/ input current/ 入力電流: 0,7 - 0,3A Schutzart/ degree of protection/ 保護等級: IP 31 OEM Hersteller/ manufacturer/ 製造元: INPOTON OEM Artikelnummer/ part no./ 部品番: PSU-0631-03
	

“Technical data” label on the charger

The label shown opposite is found on the underside of the battery charger, and provides information on its technical data.



Component label on the charger

Please specify the component numbers (number in centre of label, marked with an arrow in the diagram opposite) when exchanging a device as part of the Alber exchange pool.

Signs and symbols

Important tips and information are identified in this operating manual as follows:



Tips and special information.



Warning against possible hazards to your safety and health, and indication of potential risks of injury.
Warning against possible technical problems or damage.

Observe these indications and warnings at all times to avoid injury to people and damage to the product.

Information in this operating manual, such as "in front", "behind", "left", "right", "forwards", "backwards" etc. refers to the position from the point of view of the wheelchair user.

The symbols used on the labels and in some parts of this operating manual are explained below.



The viaplus and the corresponding off-board charger comply with the applicable sections of standard EN 12184 for electric wheelchairs and standard ISO 7176-14 for wheelchairs and comply with the EU Medical Devices Directive (MDR) 2017/745. The viaplus is a Class I medical device.



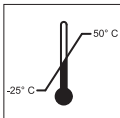
Medical Device



For information about disposing of the viaplus and its components.



Protect the device from moisture.



Indicates the temperature range in which the viaplus can be used.



Operation of the viaplus: observe the operating manual.
 This operating manual contains instructions, information and warnings relating to operation of the viaplus and to charging the batteries. They are to be read and be given due consideration prior to starting up the viaplus or charging it for the first time.



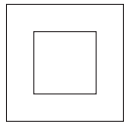
Maximum weight of person that the viaplus can accept as its load capacity: 135 kg



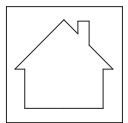
Specification of the manufacturing date on the system label



Name and address of the device manufacturer (see the back of this operating manual)



Protective insulation/appliance class 2



Not suitable for outdoor use (charger)

Ihre Alber-Vertretung / Your Alber representative / Votre représentation Alber /
Vostra rappresentanza Alber / Su representación Alber / Din Alber representant /
Din Alber-agenturene / Uw distributeur Alber / Deres Alber-repræsentation



Ulrich Alber GmbH

Vor dem Weißen Stein 14
72461 Albstadt-Tailfingen

Telefon +49 (0)7432 2006-0

Telefax +49 (0)7432 2006-299

info@alber.de

www.alber.de