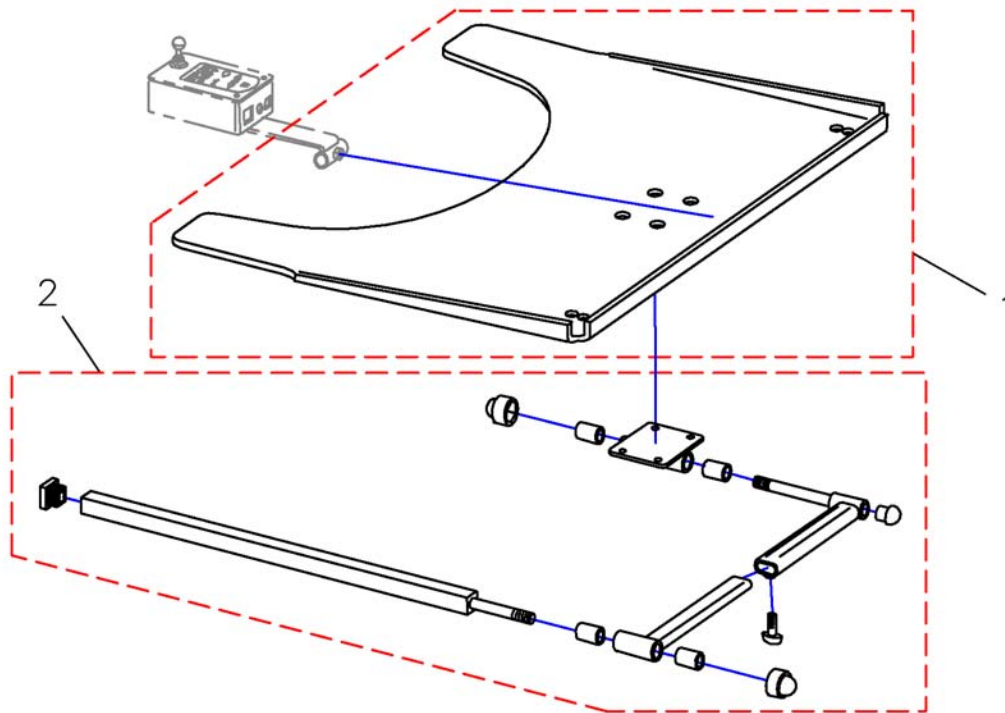


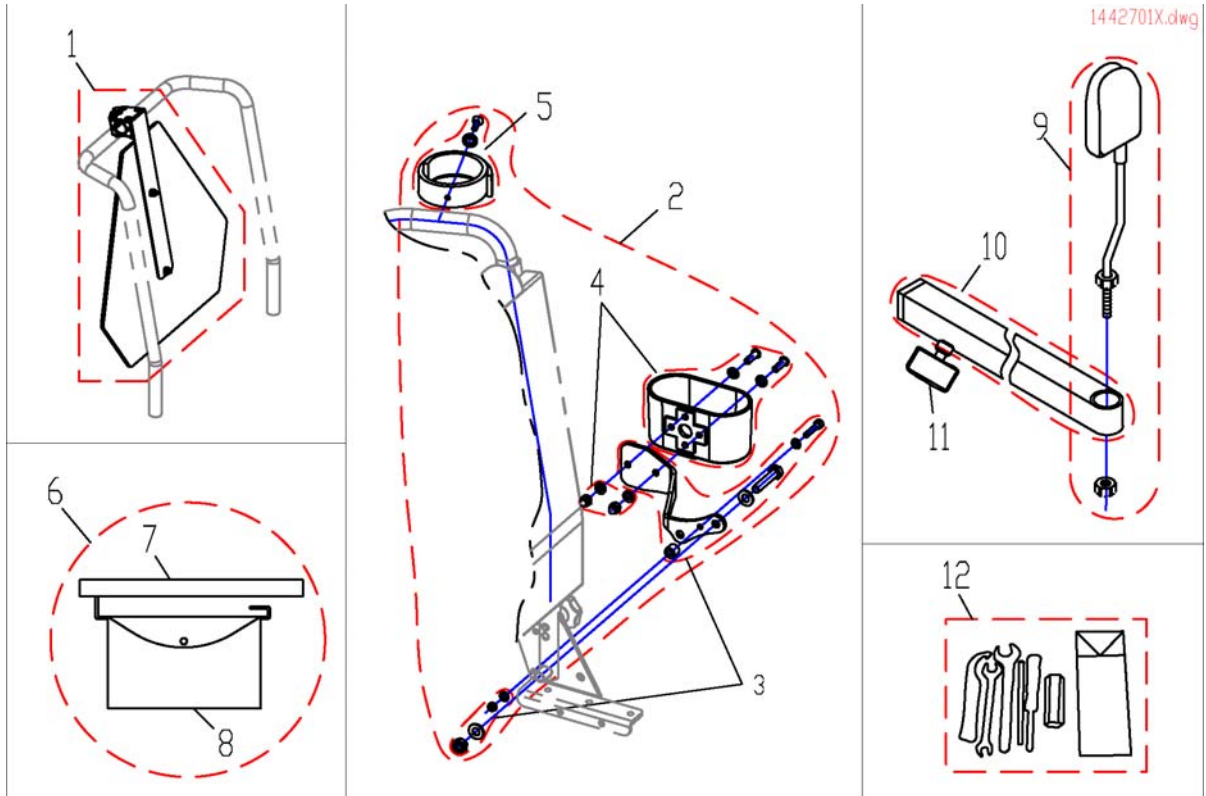
Tray

Z177036.dwg



Pos.	Part number	Description	Valid from → until	Qty
-	SPN377002	Tray LH Foldaway With Holder With Cut-Out For Remote RH, Junior-Seat		1
-	SPN377001	Tray RH Foldaway With Holder With Cut-Out For Remote LH, Junio-Seat		1
-	SP1422953	Swing-Out Tray With Cut-Out F. Control RH cpl.		1
-	SP1422952	Swing-Out Tray With Cut-Out F. Control LH cpl.		1
1	Z177016	Tray-RH Control, Transparent		1
1	1415083	Tabletop Cut RH		1
1	Z177017	Tray-LH Control, Transparent		1
1	1415084	Tabletop Cut LH		1
2	-	Tube End Plug SI 22		1
3	-	Sks Nut Cap M12		1
4	L31001	Wing ScREW M6X10		1
5	-	Bush Rd. 19 X 3.5 X 25		1
6	-	Tube End Plug E 15 X 15		1
7	SPZ177011	Tray Support Fixing Kit cpl.		1

Other Options



Pos.	Part number	Description	Valid from → until	Qty
1	1430410	KIT TRIANGLE WARNINGMISTRAL		1
2	SP1442901	Cane Holder for Standard-, Contour-, Flex-Seat cpl.		1
3	SP5007160	Holder		1
4	SP5824185	Cup for Caneholder		1
5	SP5009551	Belt for Caneholder		1
6	SP1430416	Bag For Side Panel RH cpl.		1
7	SP1430855	Holder for Armrest Bag		1
8	SP5314967	Bag for Armrest		1
9	SP1422955	Rear Mirror		1
10	SP1423435	Rear Mirror Support Rail cpl.		1
11	SPL31001	Wing ScREW M6x10		1
12	1488745	Imperial Allen Key Set		1