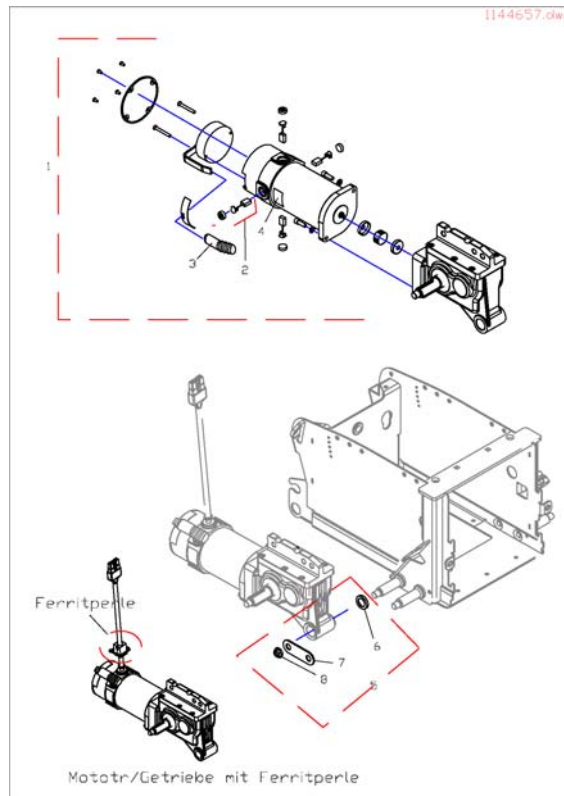


Motor & Gearbox

Pos.	Part number	Description	Valid from → until	Qty
1	SP1523164	Motor and Gearbox Assembly -Left		1
1	SP1523163	Motor and Gearbox Assembly -Right		1
2	SP1522967	Brushes with Caps,4 Pole (Set of 4)		4
3	SP1522976	Cap, Brake		1
4	1104797	Dis - engaging information label (UK)		1
5	SP1523168	Kit,Lower Pivot Link / 4-Pole Motor Mounting Hardware		1
6	SP1523015	Spacer, Coved (3/4 x1-1/8 x1-1/32")		1
7	SP1523192	Plate, Washer		1
8	1001979	Locking Nut (Axle) -Rolls 500		1