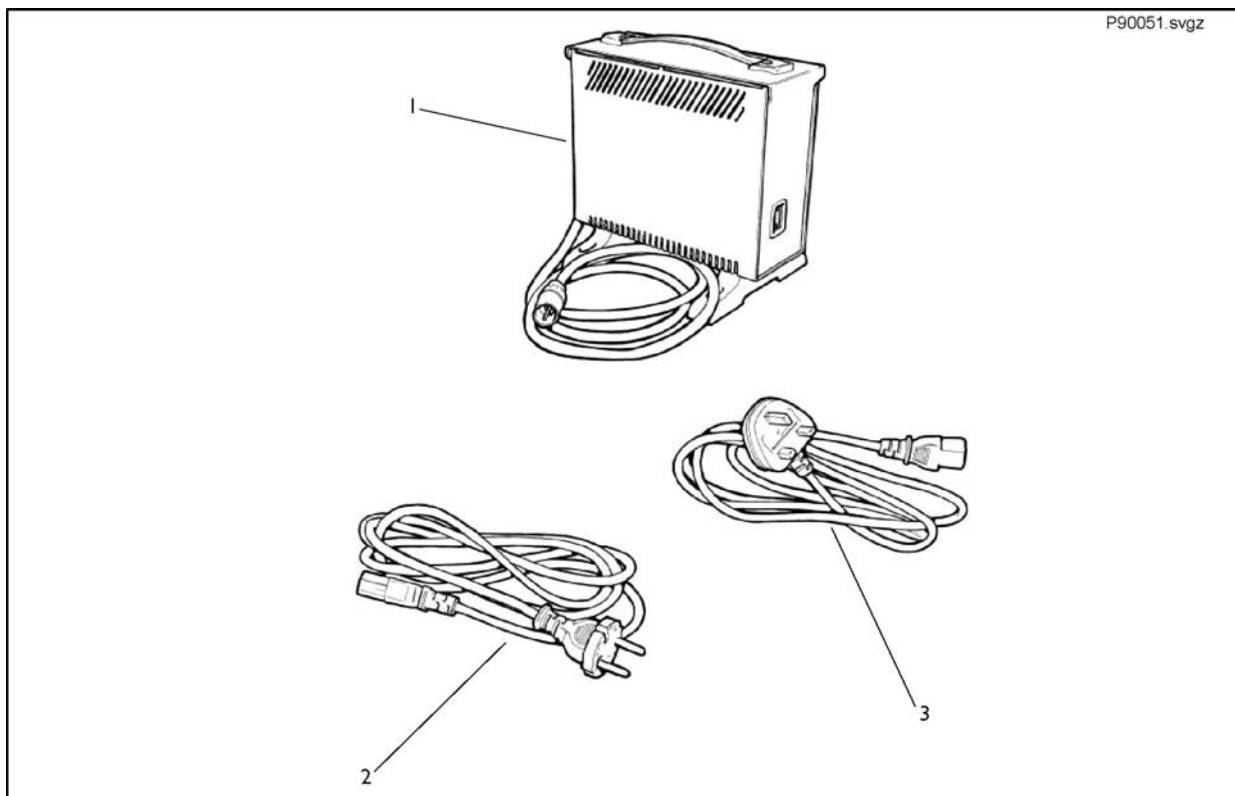
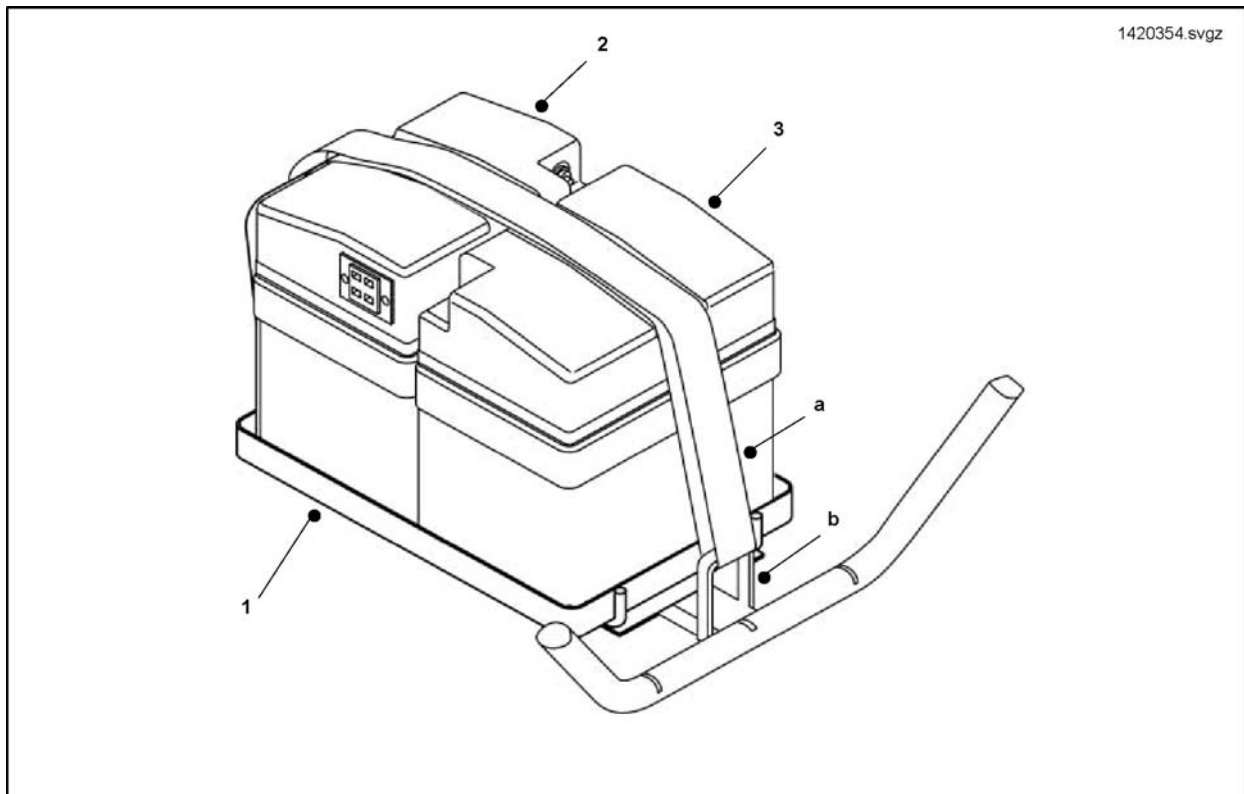


## Battery Charger



Pos.	Part number	Description	Valid from → until	Qty
1	P51981	Universal Charger 24V/8Ah for Batterys up to 73Ah c20 (without Powercord)		1
2	P21079	Charger Power Cable (Shockproof Plug)		1
3	P21080	Charger Power Cable (Uk)		1

## Batteries



Pos.	Part number	Description	Valid from → until	Qty
1	1420354	Battery Tray - 40Ah		1
2	SP1422318	Batterybox rear, incl. Battery 40Ah		1
3	SP1422316	Batterybox front, incl. Battery 40Ah		1
4	60000258	Batt Tray Restraint Kit		1
a	60000252	Battery Restraint Strap		1
b	60000306	Battery Restraint Loop		1
d	60000293	Pilot Plus Loom		1
f	6001413	Power Lead (DX)		1
g	P22167	Connector Anderson Sb50A		1
5	SP1413795	Protective Cover Powermodul		1