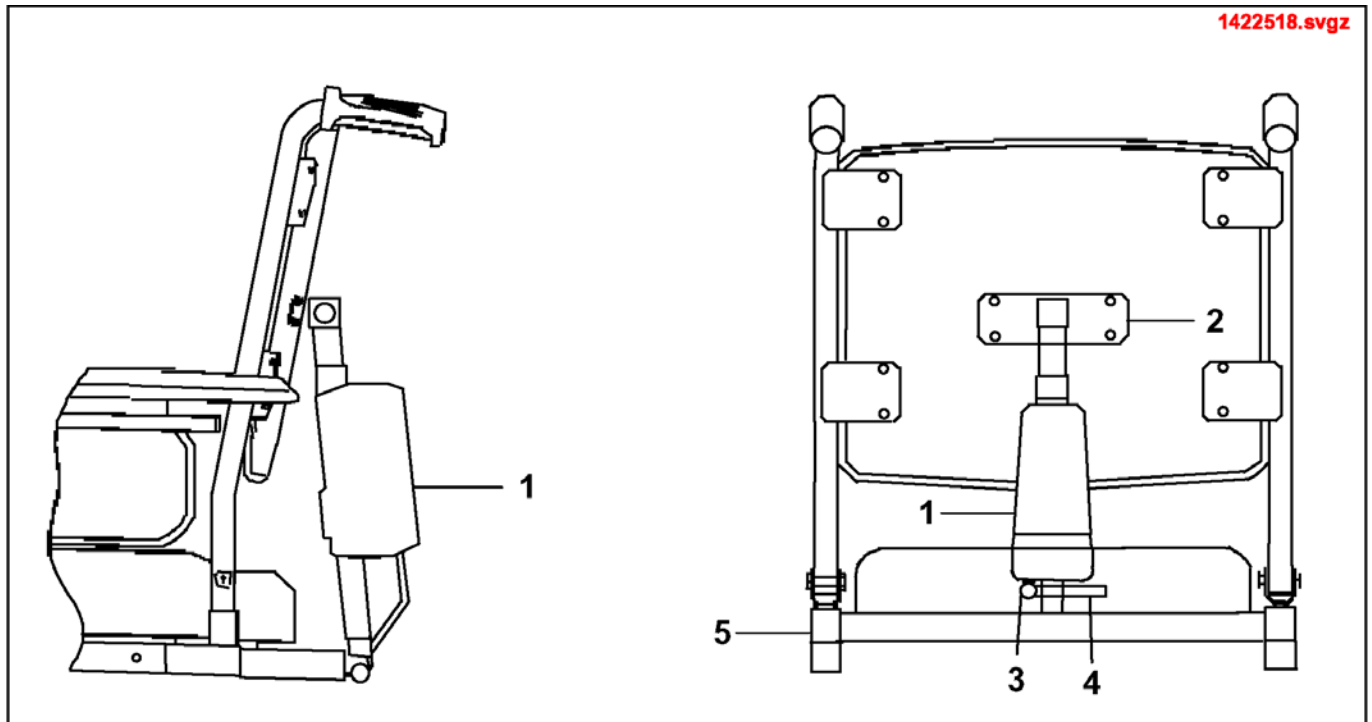
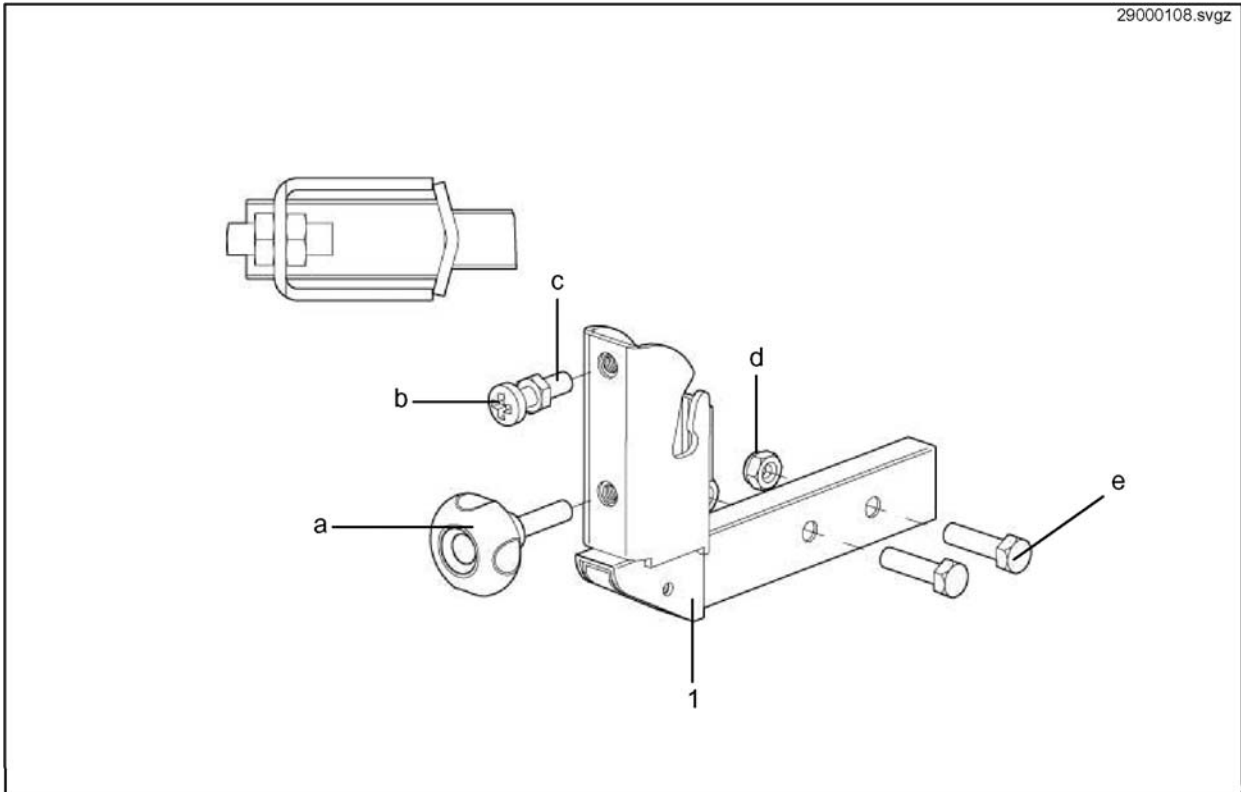


Backrest Recliner



Pos.	Part number	Description	Valid from → until	Qty
1	1422518	Actuator 100 Stroke		1
2	26003518-9005	Backrest Bracket Recliner		1
3	00007943	CLEVIS PIN RS REF839-022		1
4	8RET1001	KNÖRZER F/Rest Retainer Clip		1
5	SP1522102	Recliner frame 43cm		1
5	SP1522103	Recliner frame 38cm		1

Backpost Mounting Assembly



Pos.	Part number	Description	Valid from → until	Qty
1	29000108	Backrest Support Black		1
2	1444852-0205	R/H Outrigged Back/ Rest Support Brkt Assy B		1
3	1444853-0205	L/H Outrigged Back/ Rest Support Brkt Assy B		1
a	90288161	Handwheel M8 X 30 73240		1
b	00007840	Screw Pan hd Pozi M8x30 BZP		1
c	F00114	Hex Nut M8		1
d	F20105	Nyloc Nut M8 Din 985		1
e	-	Cross Head Screw M4 X 30		1