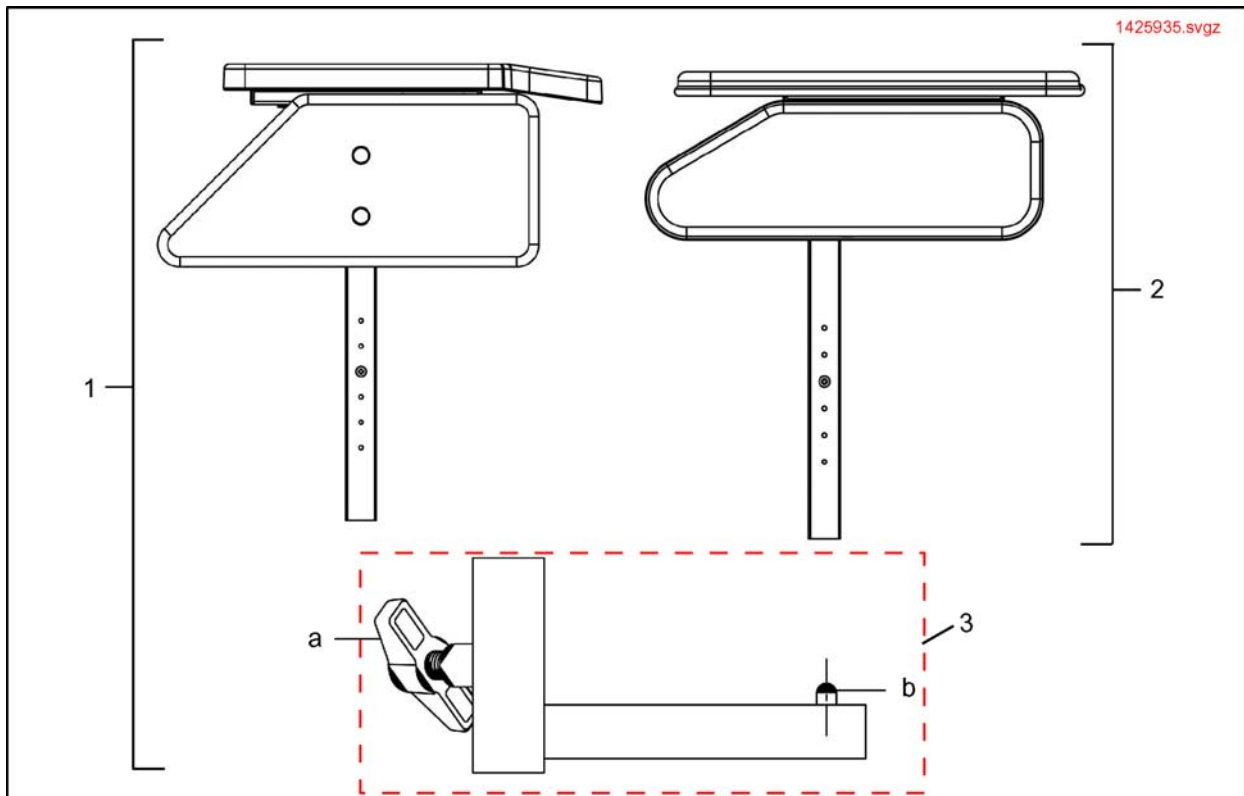
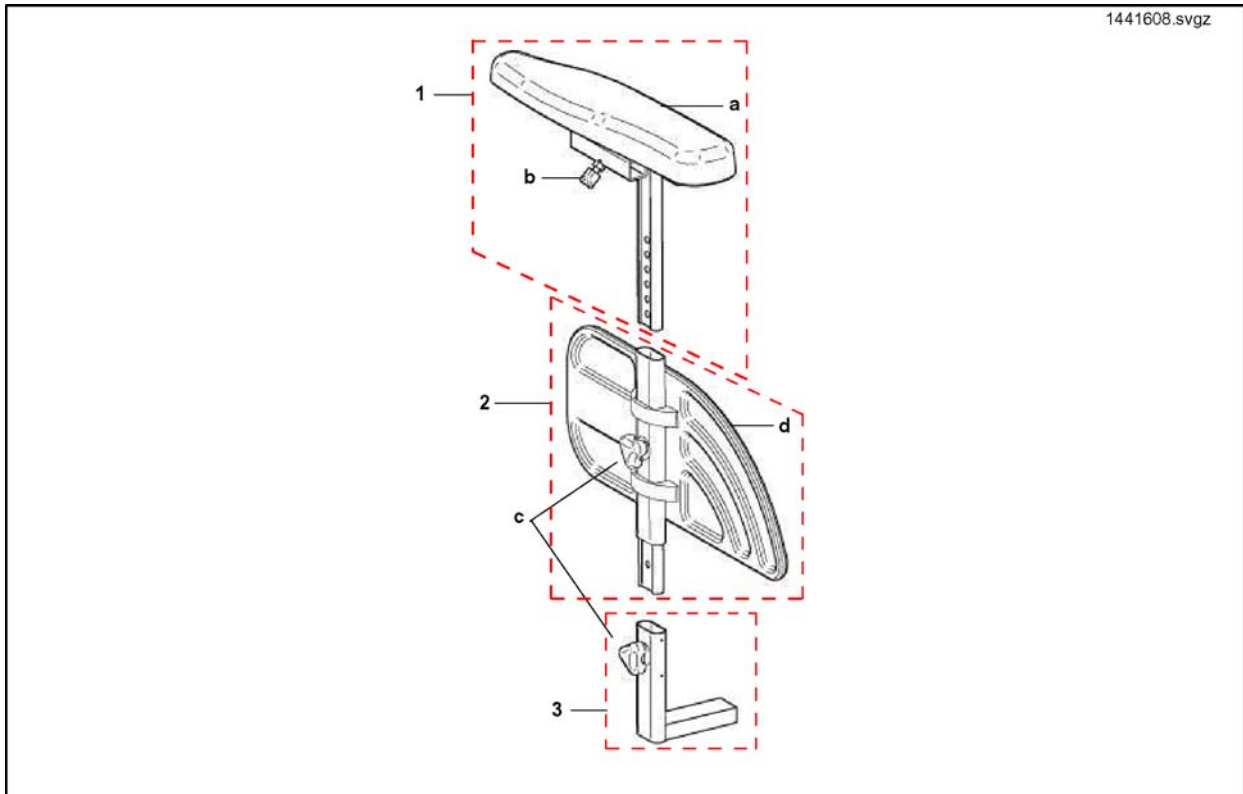


Padded & Moulded Armrest

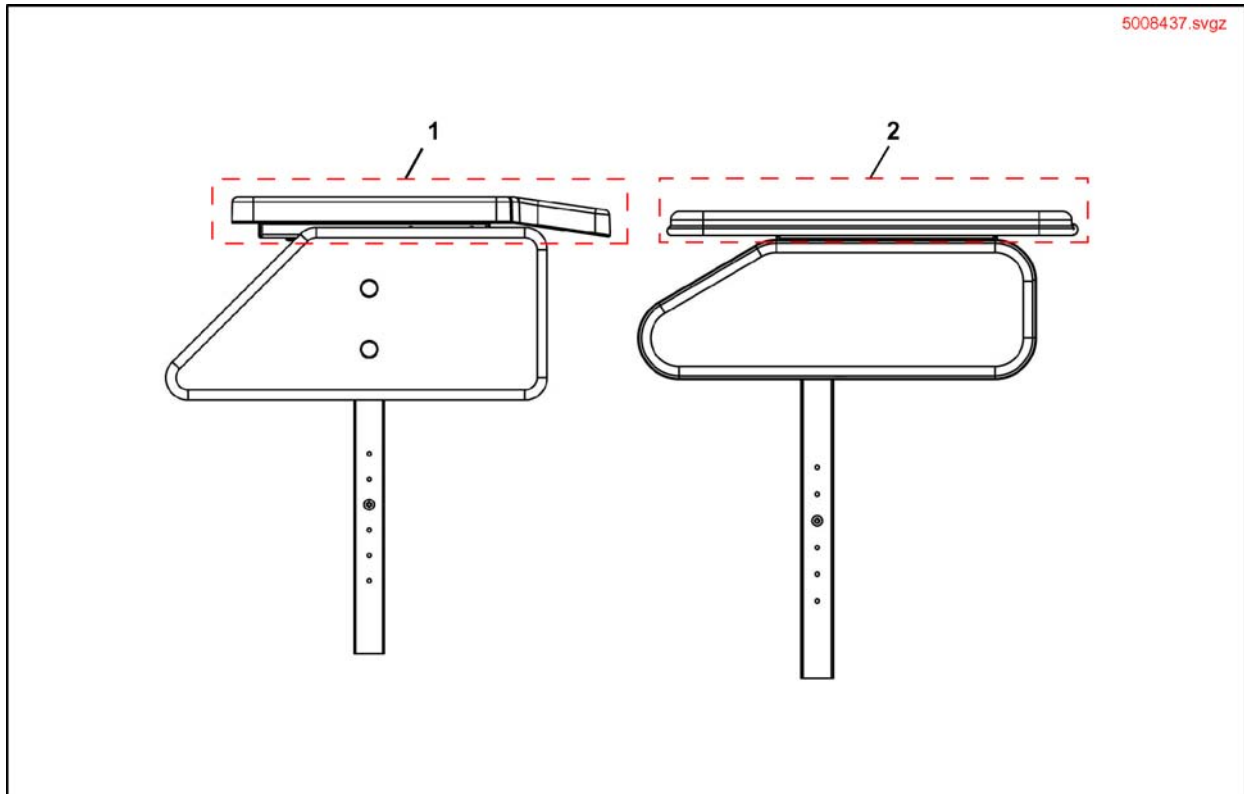


Pos.	Part number	Description	Valid from → until	Qty
1	SP1425934	Part not for sale		1
1	SP1425935	Part not for sale		1
2	SP1425944	Part not for sale		1
2	SP1425948	Part not for sale		1
2	1425945	Upholstered Arm RH Bk P Pearl SW38/43		1
2	SP1425949	Part not for sale		1
3	26003706	Transverse Arm RH Assy		1
3	26003707	Transverse Arm LH Assy		1
a	256099	Wing Screw M8 X 20 639		1
b	-	Single Button Lock Clip		1



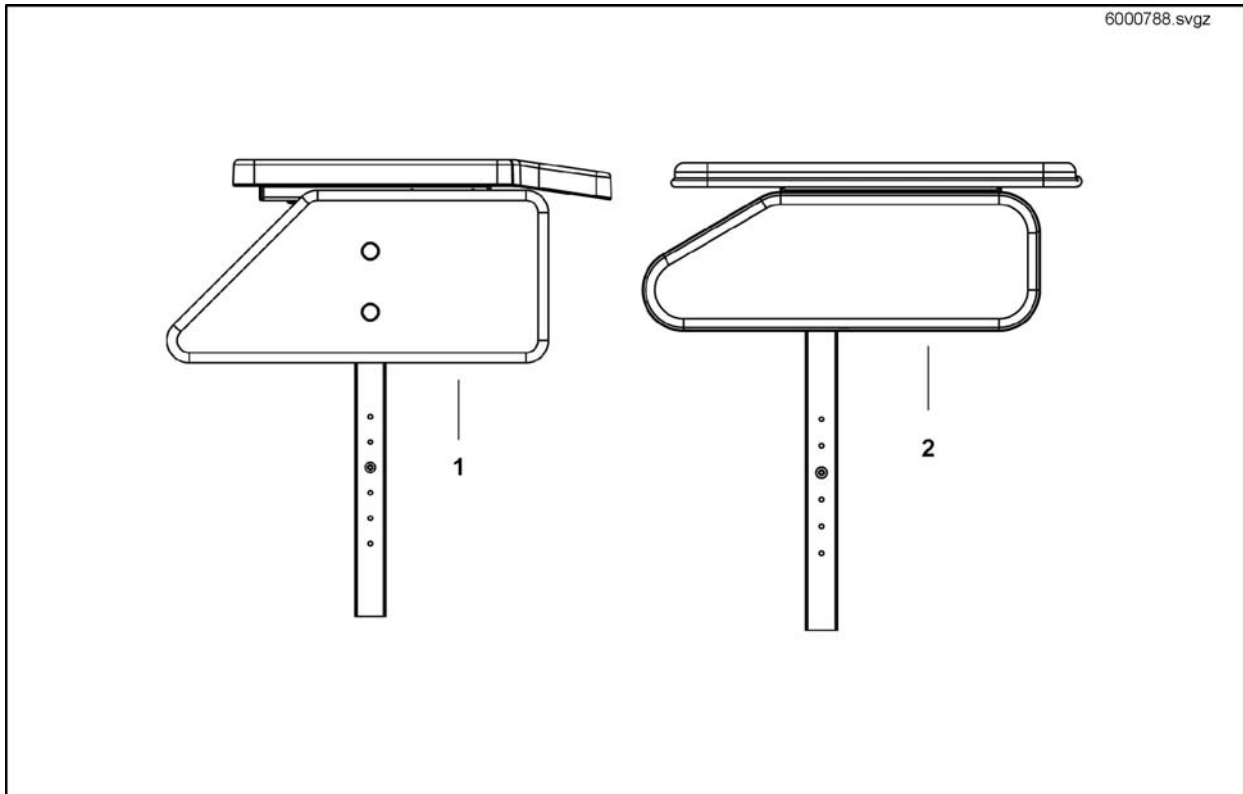
Pos.	Part number	Description	Valid from → until	Qty
d	1433291	Skirt-Guard LH		1
b	L31001	Wing Scew M6X10		1
a	1433328	LH Ergonomic Armpad		1
d	1433292	Skirt-Guard RH		1
c	1434623	Ball Screw Court 7,5mm		1
a	1433327	RH Ergonomic Armpad		1
1	1441608	LH Armrest Top Section C/W Ergonomic Pad		1
1	1441607	RH Armrest Top Section C/W Ergonomic Pad		1
2	SP1436963	LH A/Rest Mid Section		1
2	SP1436962	RH A/Rest Mid Section		1
3	1485103	Armrest Socket cmpl. (long)		1
4	1421689	Adhesive Label Stop		1

Arm Pads



Pos.	Part number	Description	Valid from → until	Qty
1	5008437	Armpad RH		1
1	5008438	Armpad LH		1
2	23008730BKJ	Armpad Std RH Blk Jemima SW 38/43		1
2	23008731BKJ	Armpad Std LH Blk Jemima SW 38/43		1
2	23008730BKP	Armpad Std RH Blk Pearl SW 38/43		1
2	23008731BKP	Armpad Std LH Blk Pearl SW 38/43		1

Side Panels



Pos.	Part number	Description	Valid from → until	Qty
1	6000788	Skirtguard Power RH		1
1	6000789	Skirtguard Power LH		1
2	26003224BKJ	Side Panel Med RH Jemima SW38/43		1
2	26003225BKJ	Side Panel Med LH Jemima SW38/43		1
2	26003224BKP	Side Panel Med RH Pearl SW38/43		1
2	26003225BKP	Side Panel Med LH Pearl SW38/43		1