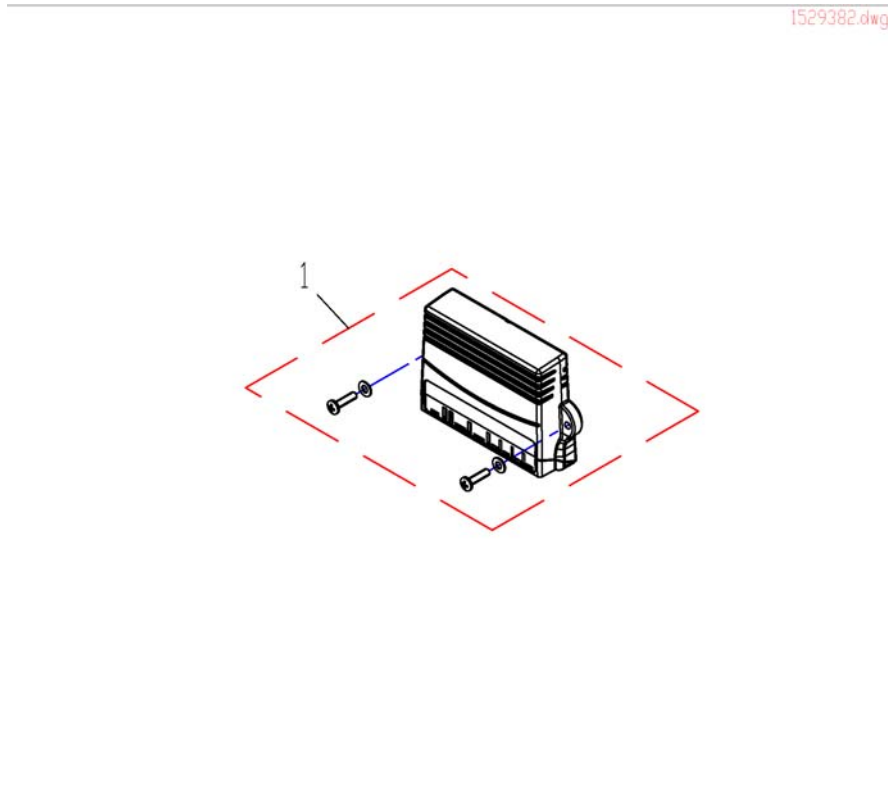


Pos.	Part number	Description	Valid from → until	Qty
1	SP1529381	Powermodule ACS2 (PML90)		1
2	SP1532518	Part not for sale		1

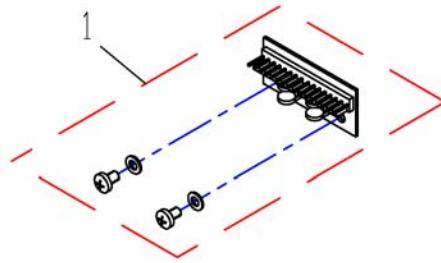
## ACT4 for ACS2



Pos.	Part number	Description	Valid from → until	Qty
1	SP1529382	ACT4 for ACS2, cpl.		1

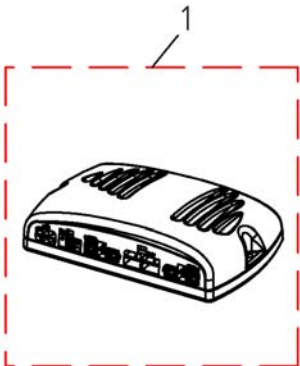
# Lightboard ACS2

1529383.dwg



Pos.	Part number	Description	Valid from → until	Qty
1	1529383	Part not for sale		1

1136898.dwg



Pos.	Part number	Description	Valid from → until	Qty
-	1450313	Shark2 Bus Cabel L=1500mm		1
1	1136898	Shark Power Module, 75-90A, for TDX-SP		1