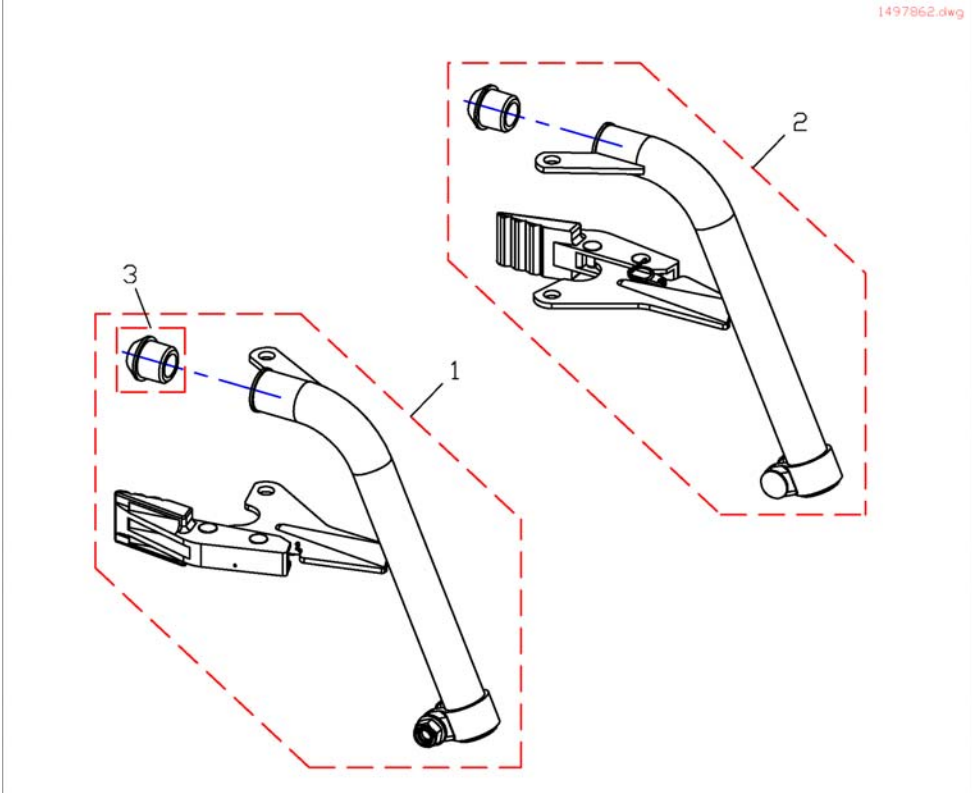
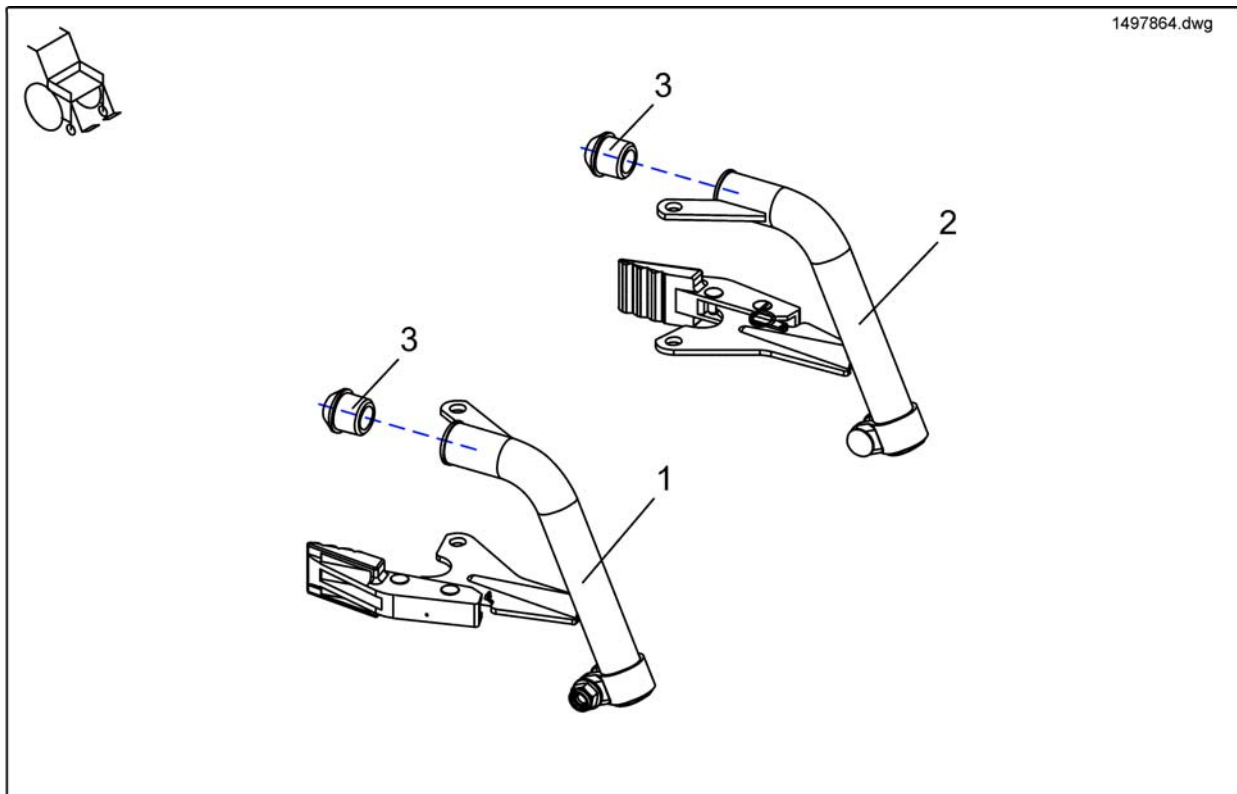


# Hanger 70 Deg, Standard

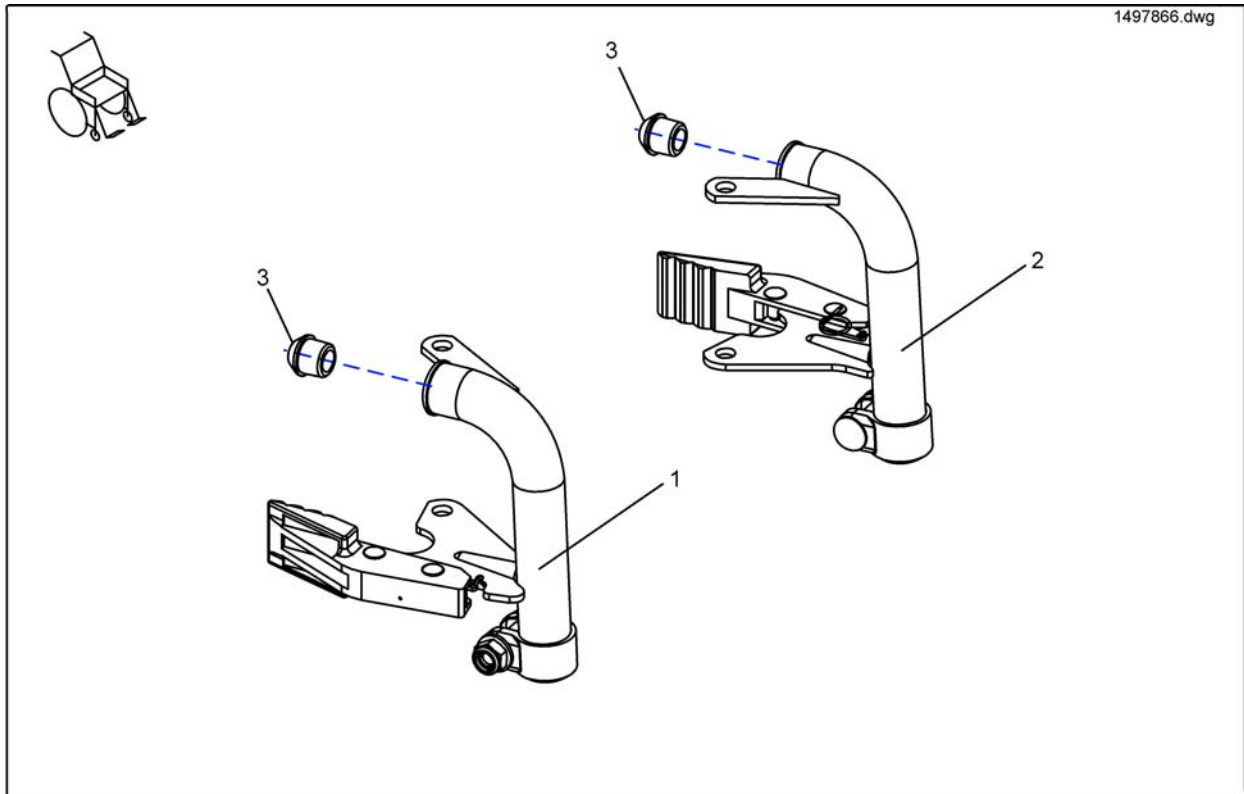


Pos.	Part number	Description	Valid from → until	Qty
1	SP1497862	Hanger 70 Deg, Standard, RH cpl.		1
2	SP1497827	Hanger 70 Deg, Standard, LH cpl.		1
3	5007790	Rubber pin		1

# Hanger 70 Deg, Junior

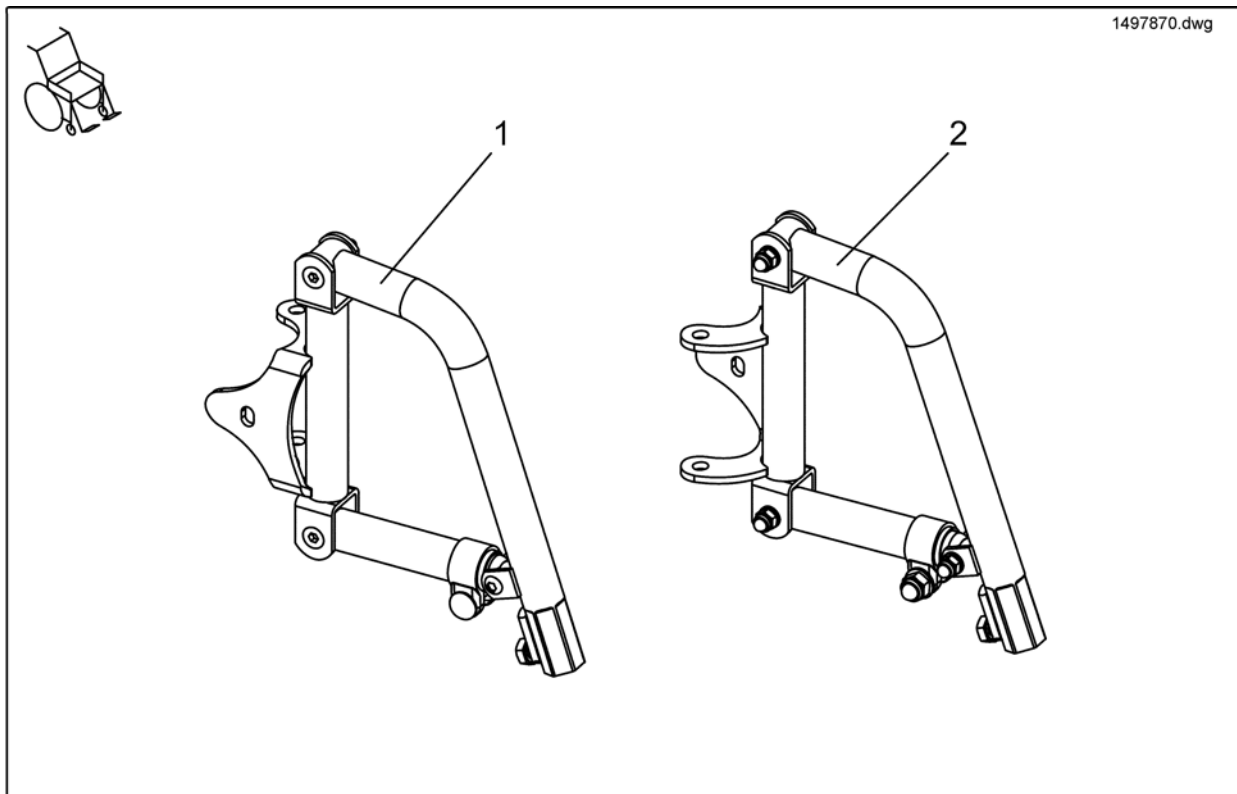


Pos.	Part number	Description	Valid from → until	Qty
1,3	SP1497864	Hanger 70 Deg, Junior, LH cpl.		1
2,3	SP1497863	Hanger 70 Deg, Junior, RH cpl.		1
3	5007790	Rubber pin		1

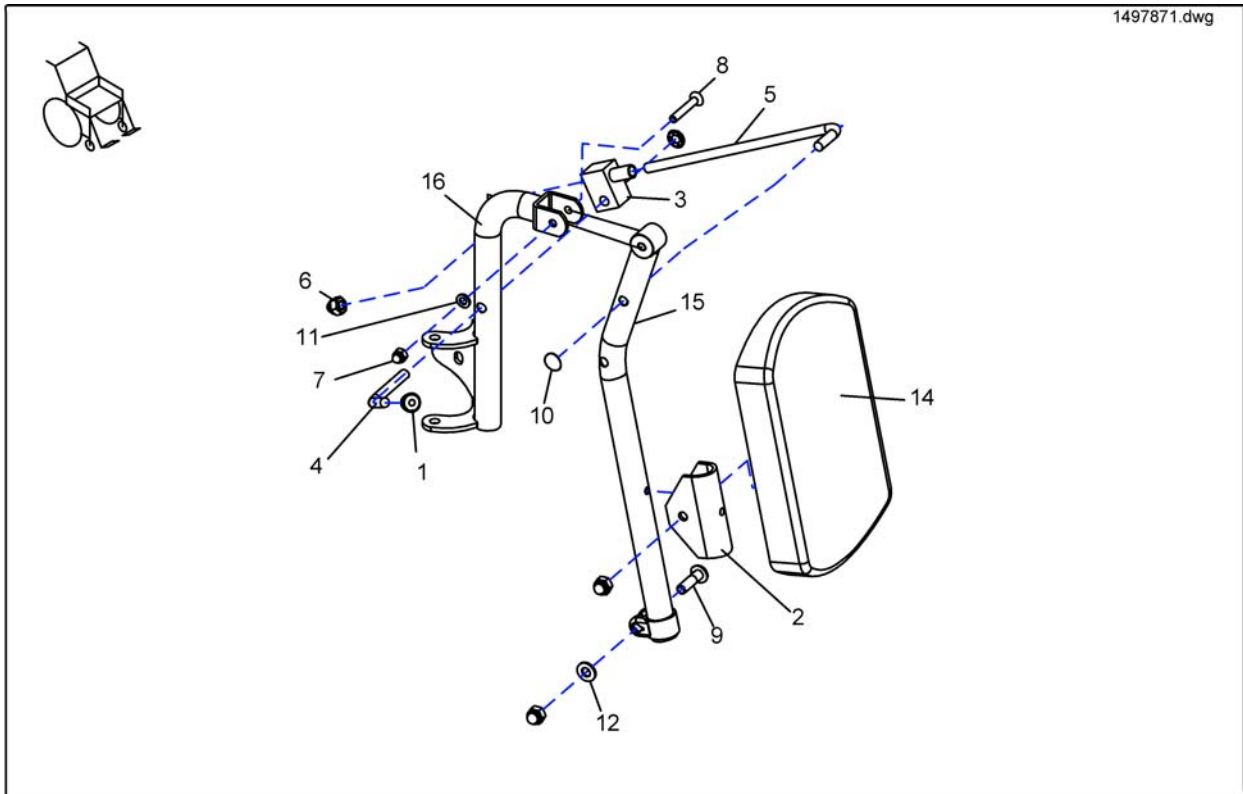


Pos.	Part number	Description	Valid from → until	Qty
1,3	SP1497866	Hanger 90 Deg, LH cpl.		1
2,3	SP1497865	Hanger 90 Deg, RH cpl.		1
3	5007790	Rubber pin		1

## Hanger Angle, Adjustment



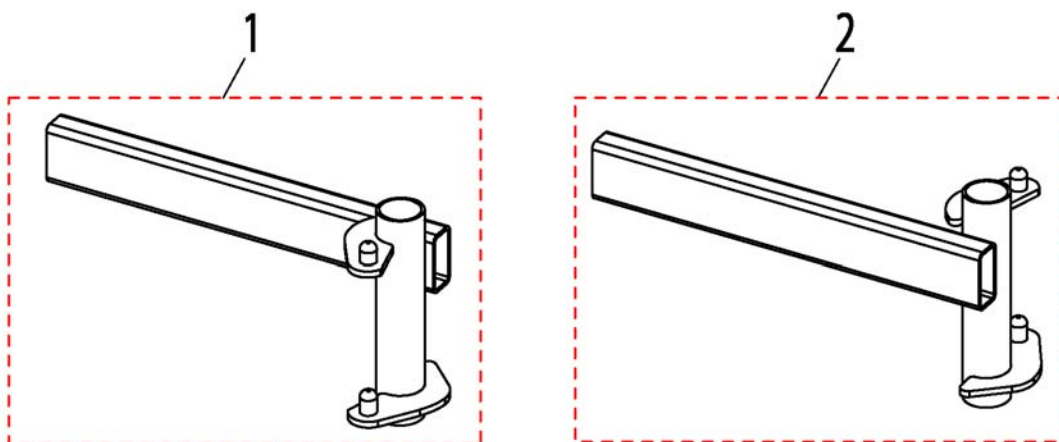
Pos.	Part number	Description	Valid from → until	Qty
1	SP1497870	Hanger Angle Adjustment, LH, cpl.		1
2	SP1497867	Hanger Angle Adjustment, RH, cpl.		1



Pos.	Part number	Description	Valid from → until	Qty
1-16	SP1497871	Legrest Height Adjustment, RH, cpl.		1
1-16	SP1497872	Legrest Height Adjustment, LH, cpl.		1
	1 5007794	Cap		1
	2 90440920	Pivot Kit		1
	3 5001839	Locking Case		1
	4 0464310	Adjustment lever RH		1
	5 -	Adjustment Rod		1
	6 -	Cap nuts DIN 986-M8-8		1
	7 F60107	Domed Nyloc Nut M6, Self-Locking		1
	8 -	Srew M6x40 DIN 7991		1
	9 -	Screw M8x30 DIN 607		1
	10 K32397	Starlock CAP 8 MM		1
	11 G00115	Washer 6,4 X 12,5 X 1,6 DIN 125		1
	12 G00107	Scheibe 8, 4X17X1, 6 DIN 125		1
	13 1425961	Manual Elevating Legrest cpl. LH		1
	13 1425960	Manual Elevating Legrest cpl. RH		1
	14 6301333	Calf Pad		1
	15 -	S/Away Elev Hanger BrktRH Tex Black		1
	16 -	Elevating Hanger Bracket, RH		1

# Legrests Swing-Away

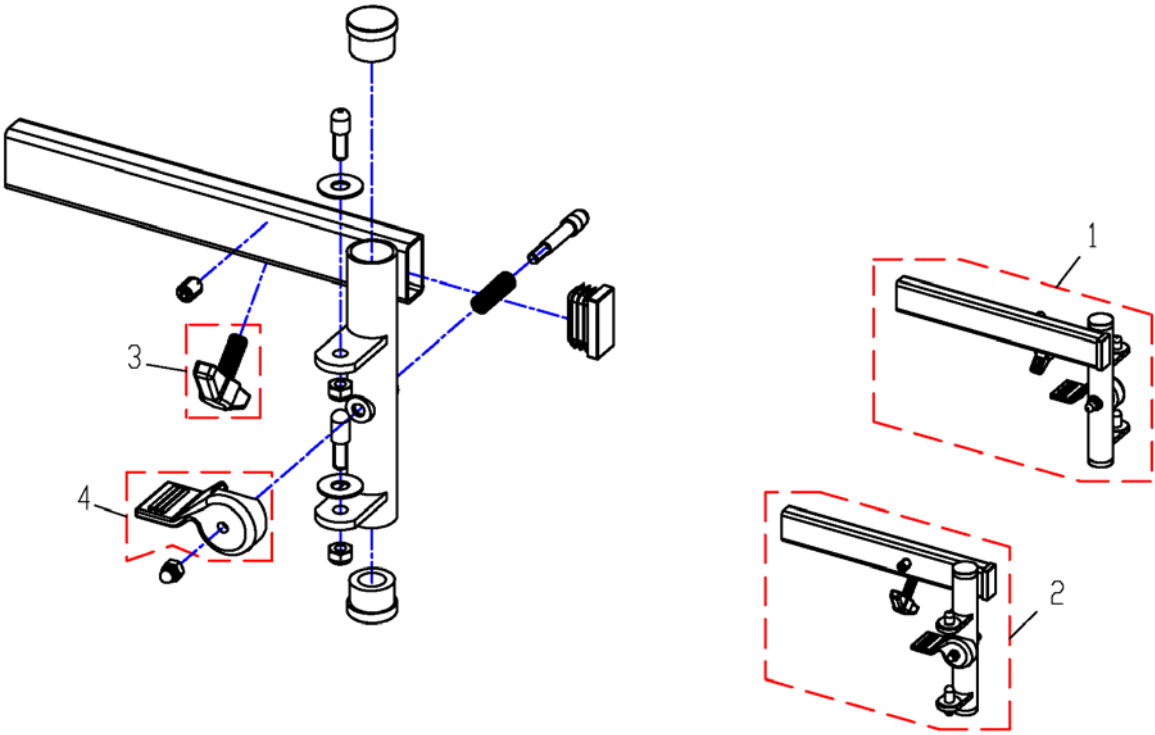
1420260X.dwg



Pos.	Part number	Description	Valid from → until	Qty
1	SP1527122	Hanger for 80° Legrest RH		1
2	SP1527124	Hanger for 80° Legrest LH		1

# Hanger for 80° Legrest

1527122PAC.dwg



Pos.	Part number	Description	Valid from → until	Qty
1	SP1527124	Hanger for 80° Legrest LH		1
2	SP1527122	Hanger for 80° Legrest RH		1
3	256099	Wing Screw - M8		1
4	5006757	RELEASE LEVER - LH		1
4	5006756	RELEASE LEVER - RH		1