

Spare Parts Catalogue

Version: 2009/02/17a EN



Invacare® **SPECTRA**
SEATRISER



Yes, you can.®

General Information

For any order of spare parts the following information is required:

- Product type*
- Product name & model*
- Serial Number*
- Part-Number*
- Part-Description*

Exploded view drawings and code numbers are not contractual and subject to modification, in relation to Invacare® continuous product improvement policy to meet end users needs.

The reproduction or use of this work, or of any substantial part of this work, in any form or by any electronic, mechanical or other means, including photocopying, scanning and recording, and in any information storage and retrieval system, including electronic transmission, is forbidden without the prior written permission of Invacare® International Sarl.



Yes, you can.®

TABLE OF CONTENTS

Information

User Manuals Spectra Seatriser	5
--------------------------------------	---

Chassis

Base Frame	6
------------------	---

Seat

Lifter	7
--------------	---

Backrest

Backpost Mountin Bracket	8
Padded Back	9
Flangelles Backposts	10
Firm Backpost	11
Backpost Support For Tension Adjustable Back	12
Backrest Upholstery Nylon	13

Legrests

Elevating Legrest Manual	14
Adjustable Hanger & Footplate	15
Hanger Tube Assembly	16
Elevating Legrest Electric	17

Footrests

Footplates & Extensions	18
Footplate Extension Assembly Adapter	19

Siderests

Padded & Moulded Armrest	20
Armrest Ergonomic	21
Arm Pads	22
Side Panels	23

Front Wheels

Front Castor Wheels	24
---------------------------	----

Propulsion

Motors	25
--------------	----

Brakes

Parking Brake Assembly (Wheel Lock)	26
---	----

Control Units

Penny & Giles Controls	27
Holder Pilot+, swing away, high end	28
Pilot + Centre Control & Chin Mounting Options	29



Yes, you can.®

TABLE OF CONTENTS

DI Controls & Std. Bracket	30
ACS Control System	31
G90 & Holder	32
G91 & Holder	33
Dynamic Mounting Options	34
Attendant Control Mounting Hardware	35

Cables & Charger

Battery Charger	36
Batterys	37

Seating Options

Upholstered Seat Assembly	38
Upholstery Head-Rest Assembly	39
Trunk Support	40
Buckle Lapbelt	41

Others Options & Accessories

Tray Assembly	42
Kerb Climber Centre	43
Fixtures & Fittings	44

CS	ČESKY	FR	FRANÇAIS	PL	POLSKI
DA	DANSK	HR	HRVATSKI	PT	PORTUGUÊS
DE	DEUTSCH	HU	MAGYAR	SK	SLOVENČINA
EN	ENGLISH	IT	ITALIANO	SL	SLOVENŠČINA
ES	ESPAÑOL	LT	LIETUVIŲ KALBA	SV	SVENSKA
ET	EESTI KEEL	NL	NEDERLANDS	RO	ROMÂNĂ
FI	SUOMEN KIELI	NO	NORSK	JA	日本語

Pos.	Part number	Description	Valid from → until	Qty
DE	1446685	User Guide S/PlusSeat Riser		1

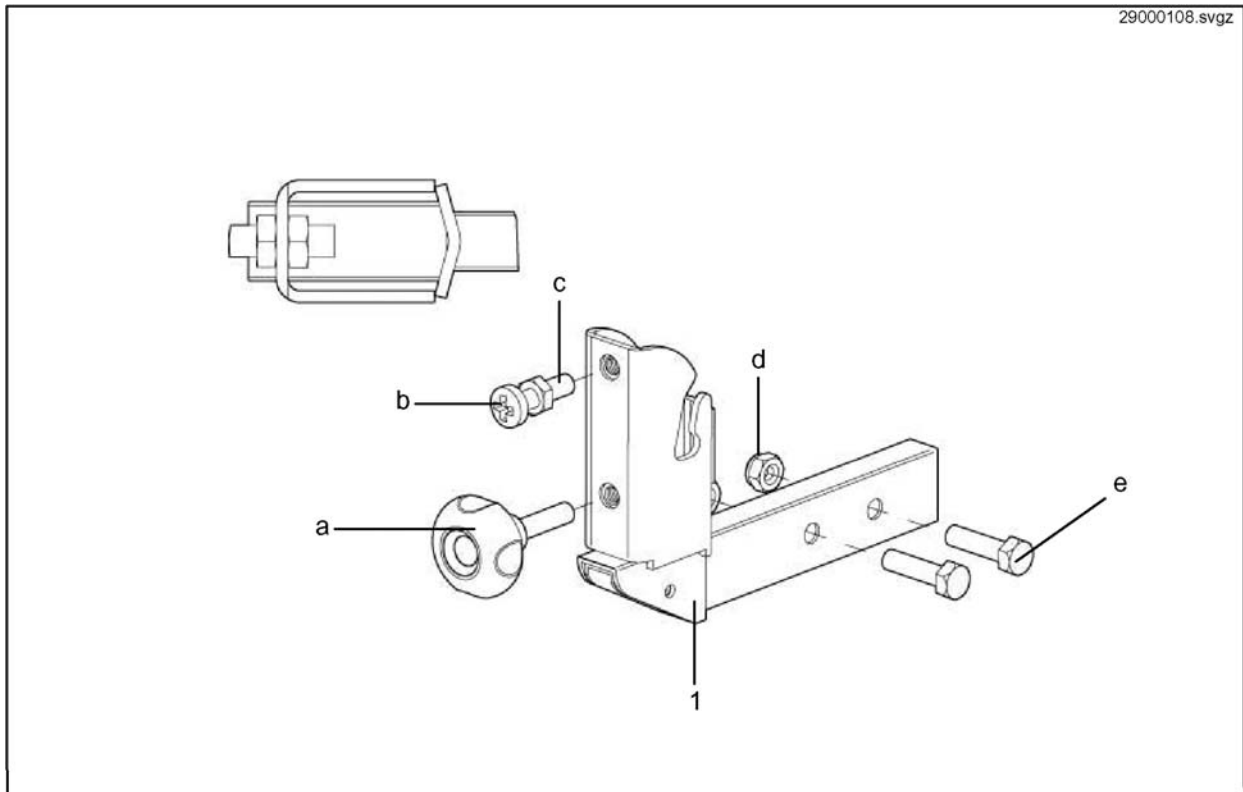
Base Frame

Pos.	Part number	Description	Valid from → until	Qty
a	1433455-0002	Bolt Hex Hd M12 x 35mmZP		1
e	D08132	Hex Head Screw M8*20		1
b	00008910	BRONZE B/BUSH AMF 121512		1
d	30000250	Anti Tipper Assy		1
c	F20106	Nyloc Nut M12		1
1	1433411-0200	Spectra Seat Riser Chassis Met Red		1
1	1433411-0219	Spectra Seat Riser Chassis Black		1
1	1433411-0203	Spectra Seat Riser Chassis Trans Green		1
1	1433411-0202	Spectra Seat Riser Chassis Met Purple		1
1	1433411-0201	Spectra Seat Riser Chassis Met Blue		1
1	1433411-0204	Spectra Seat Riser Chassis Yellow		1
2	1422483	Motor Mtg Tubes Kit Tran Purp		1
2	1422480	Motor Mtg Tubes Kit Tran Red		1
2	1422482	Motor Mtg Tubes Kit Trangreen		1
2	1422481	Motor Mtg Tubes Kit Tran Blue		1
2	1422479	Motor Mtg Tubes Kityellow		1
2	1422478	Motor Mtg Tubes Kit Black		1

Lifter

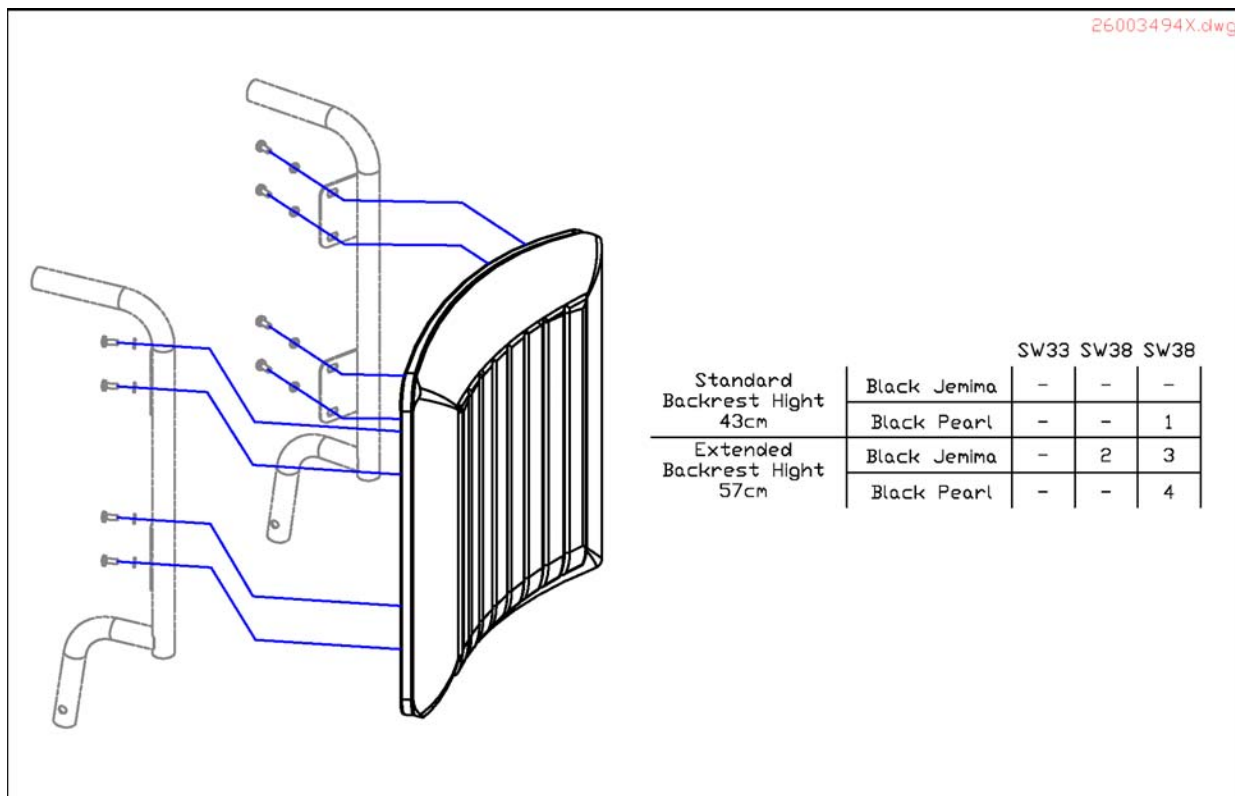
Pos.	Part number	Description	Valid from → until	Qty
1	1433335	Seat Riser - Mechanism Complete		1
2	1442464	Actuator - Seat RiserSpectra Plus		1
3	1442465	Actuator - Seat TiltSpectra Plus Riser		1

Backpost Mountin Bracket



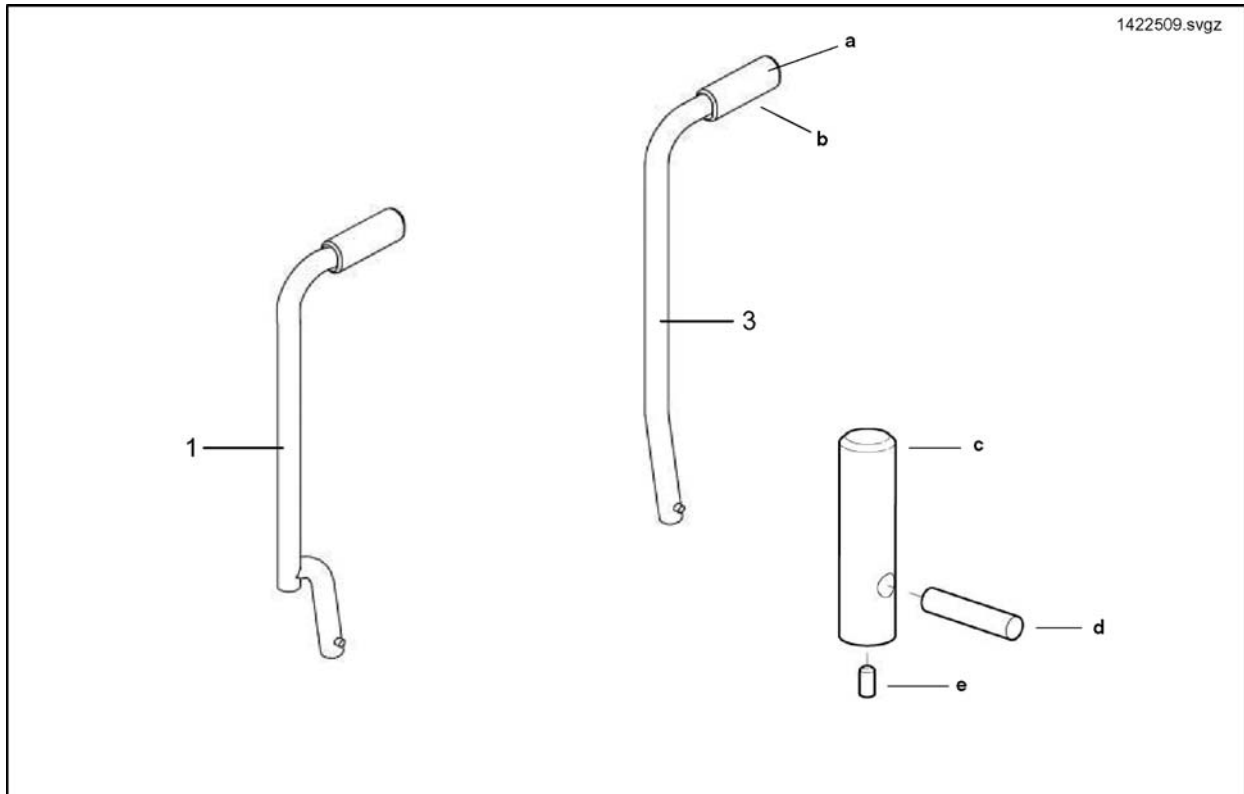
Pos.	Part number	Description	Valid from → until	Qty
b	00007840	Screw Pan hd Pozi M8x30 BZP		1
a	90288161	Handwheel M8 X 30 73240		1
e	-	Cross Head Screw M4 X 30		1
c	F00114	Hex Nut M8		1
d	F20105	Nyloc Nut M8 Din 985		1
1	29000108	Backrest Support Black		1

Padded Back



Pos.	Part number	Description	Valid from → until	Qty
1	26003491BKJ	Backrest 43cm Jemima Std		1
2	26003491BKP	Backrest 43cm Black Perl Std		1
3	26003494BKJ	Backrest 43cm Jemima Ext		1
4	26003494BKP	Backrest 43cm B/Pearl Ext		1

Flangelles Backposts



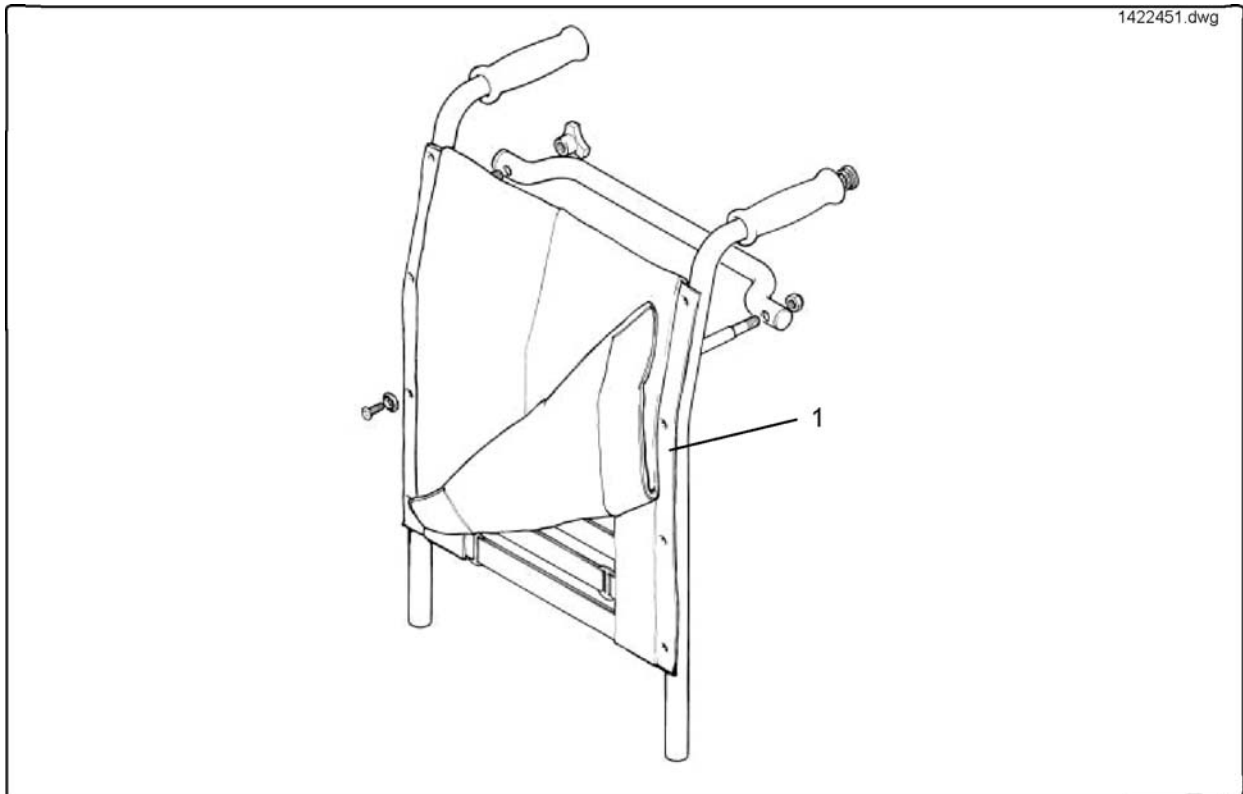
Pos.	Part number	Description	Valid from → until	Qty
d	90370401	Mills Pin 8 X 36 Pinco Gp.5		1
b	L10033	Cover Push Handle		1
a	L01019	End Plug 7/8"		1
e	00007986	Grub Screw M5x10 Cup Knurl		1
c	20001132	Reinforcing Plug MK2 (B) Backpost		1
1	1422509	Ext Ht Flangeless Single Swan Backpost		1
1	1422508	S/ Swan Flangeless Backpost		1
3	1422513	Straight Ext Flangeless B/ Post		1
3	1422512	Flangeless Straight Std Ht Backpost		1

Firm Backpost

Pos.	Part number	Description	Valid from → until	Qty
d	90370401	Mills Pin 8 X 36 Pinco Gp.5		1
b	L10033	Cover Push Handle		1
a	L01019	End Plug 7/8"		1
e	00007986	Grub Screw M5x10 Cup Knurl		1
c	20001132	Reinforcing Plug MK2 (B) Backpost		1
1	1422485	Single Swan B/ Post Comp LH		1
1	1422484	Single Swan B/ Post Comp RH		1
3	1422489	Straight Backpost Compassy LH		1
3	1422488	Straight Backpost Comp Assy RH		1

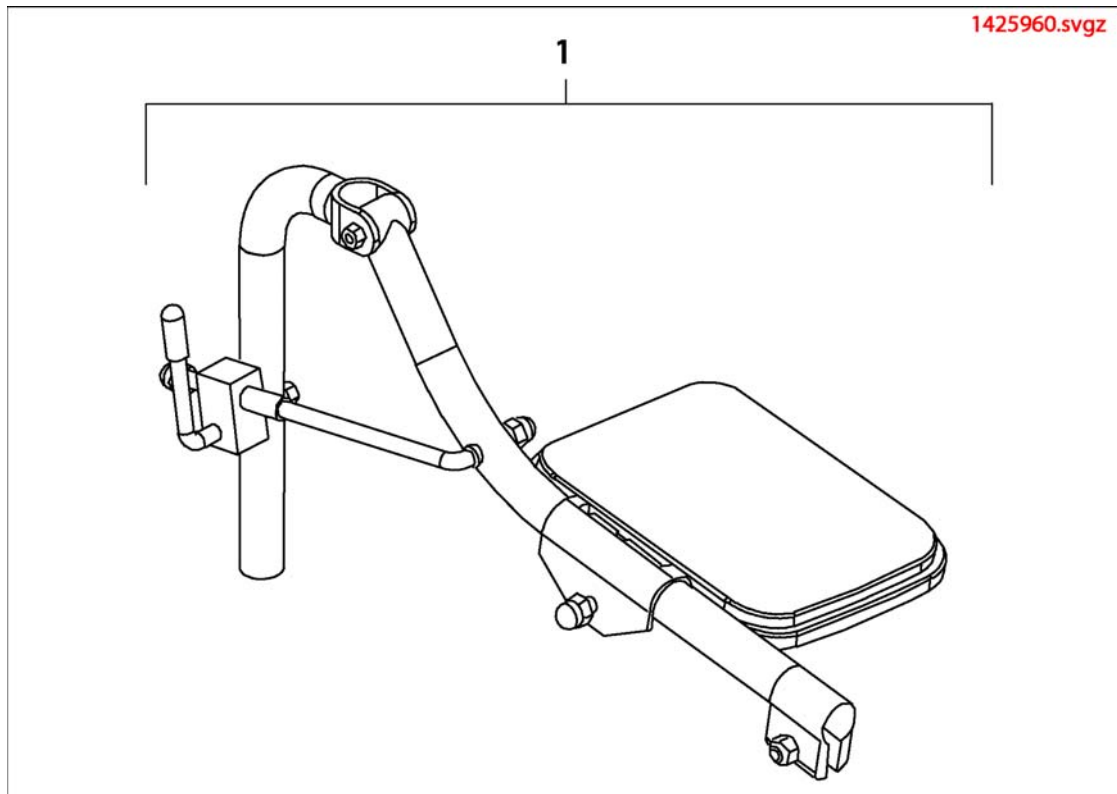
Backpost Support For Tension Adjustable Back

Pos.	Part number	Description	Valid from → until	Qty
b	L10033	Cover Push Handle		1
h	00007986	Grub Screw M5x10 Cup Knurl		1
c	L34011	Handknob M8 Tristarfemale		1
f	20001132	Reinforcing Plug MK2 (B) Backpost		1
g	90370401	Mills Pin 8 X 36 Pinco Gp.5		1
a	L01019	End Plug 7/8"		1
e	L01026	Nut Cap M8 Blk(Reliant Lifters)		1
1	1422514	S/ Swan Tensionadj. Backpost		1
3	1422516	Straight Tensionadj. Backpost		1
4	1422458-0205	Crossbar SW43cm		1



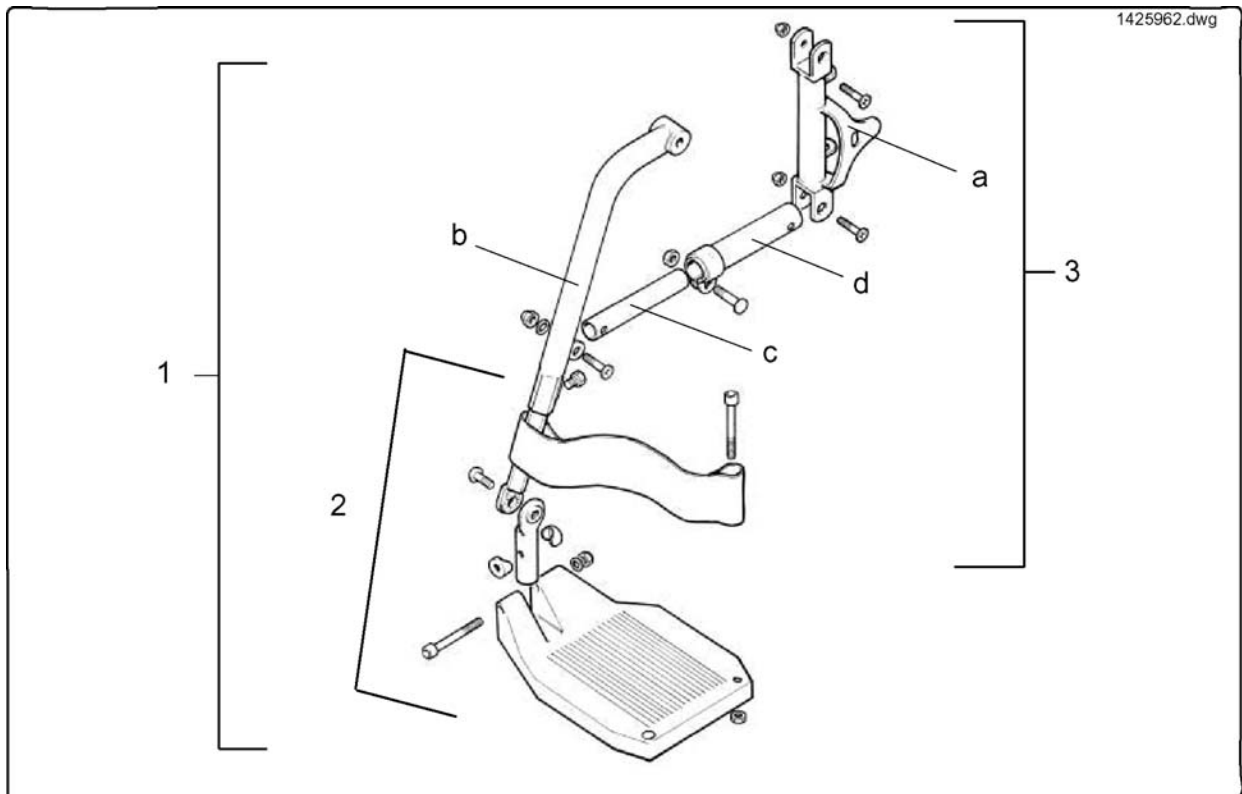
Pos.	Part number	Description	Valid from → until	Qty
1	1422453-0207	Tension Adj.Back Nylon 43cm		1

Elevating Legrest Manual



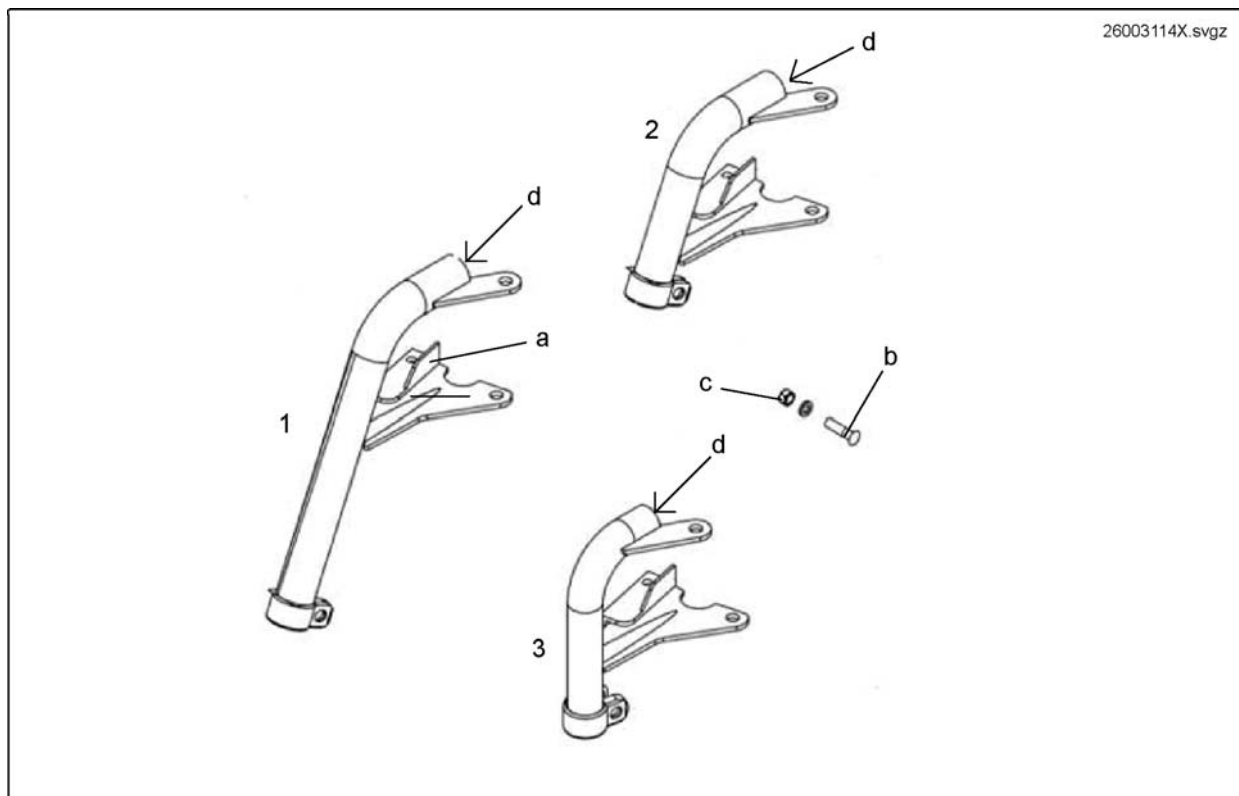
Pos.	Part number	Description	Valid from → until	Qty
1	1425960	Manual Elevating Legrest compl. RH		1
1	1425961	Manual Elevating Legrest compl. LH		1

Adjustable Hanger & Footplate

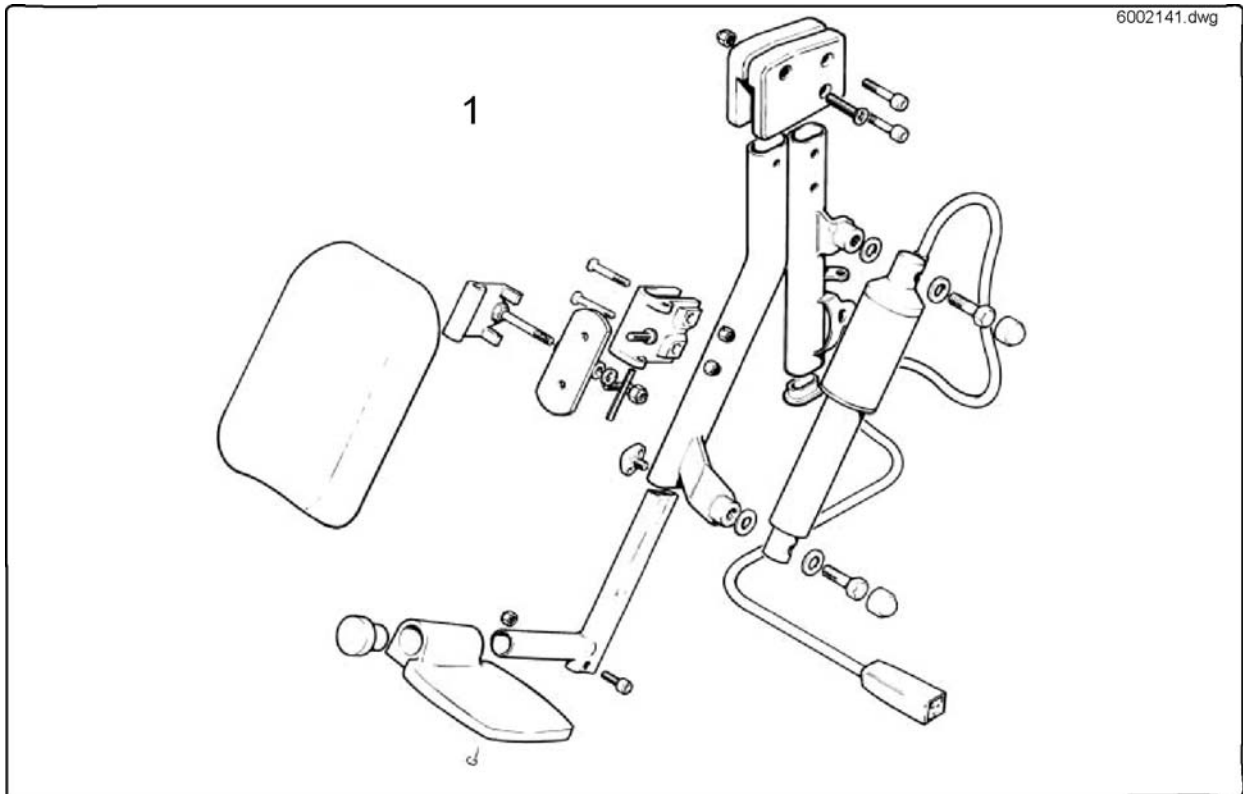


Pos.	Part number	Description	Valid from → until	Qty
c	1422522-0205	Inner Slide - Tex/Black		1
d	1422523-0205	Outer Slide - Tex/Black		1
a	1422519-0205	Upright RH - Tex Black		1
a	1422520-0205	Upright LH - Tex Black		1
b	1422521-0205	Front Hanger - Tex/Black		1
1	SP1527890	Adj Ang Hanger RH		1
1	SP1527891	Adj Ang Hanger LH		1
3	1492519	Angle Adj Hanger Assy RH Textured Black		1
3	1488704	Angle Adj Hanger Assy LH Textured Black		1

Hanger Tube Assembly

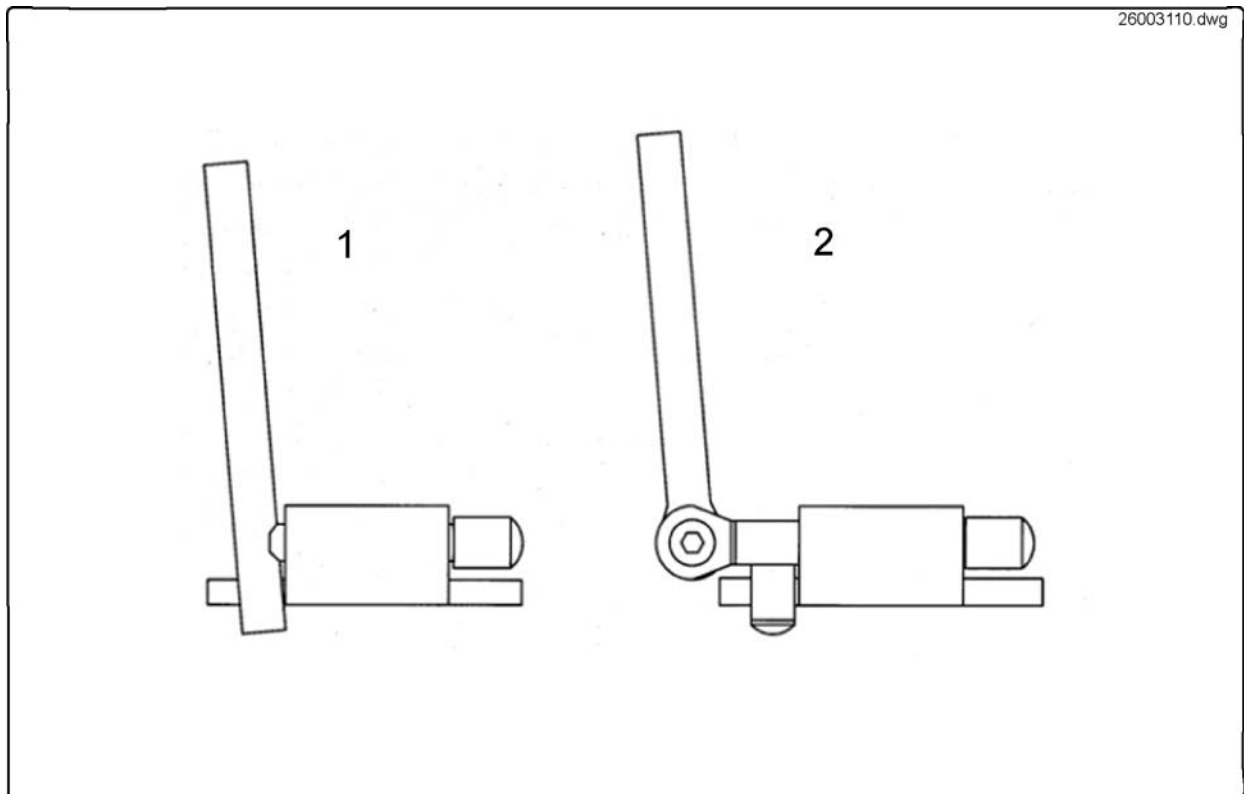


Pos.	Part number	Description	Valid from → until	Qty
d	L01019	End Plug 7/8"		1
c	-	Nylon Nut M6		1
b	D30105	Cross Head Screw M5 X 16		1
1	SP26003114P10	Part not for sale		1
1	SP26003115P10	Part not for sale		1
2	SP26003103P10	Part not for sale		1
2	SP26003102P10	Part not for sale		1
3	SP26003097P10	Part not for sale		1
3	SP26003096P10	Part not for sale		1



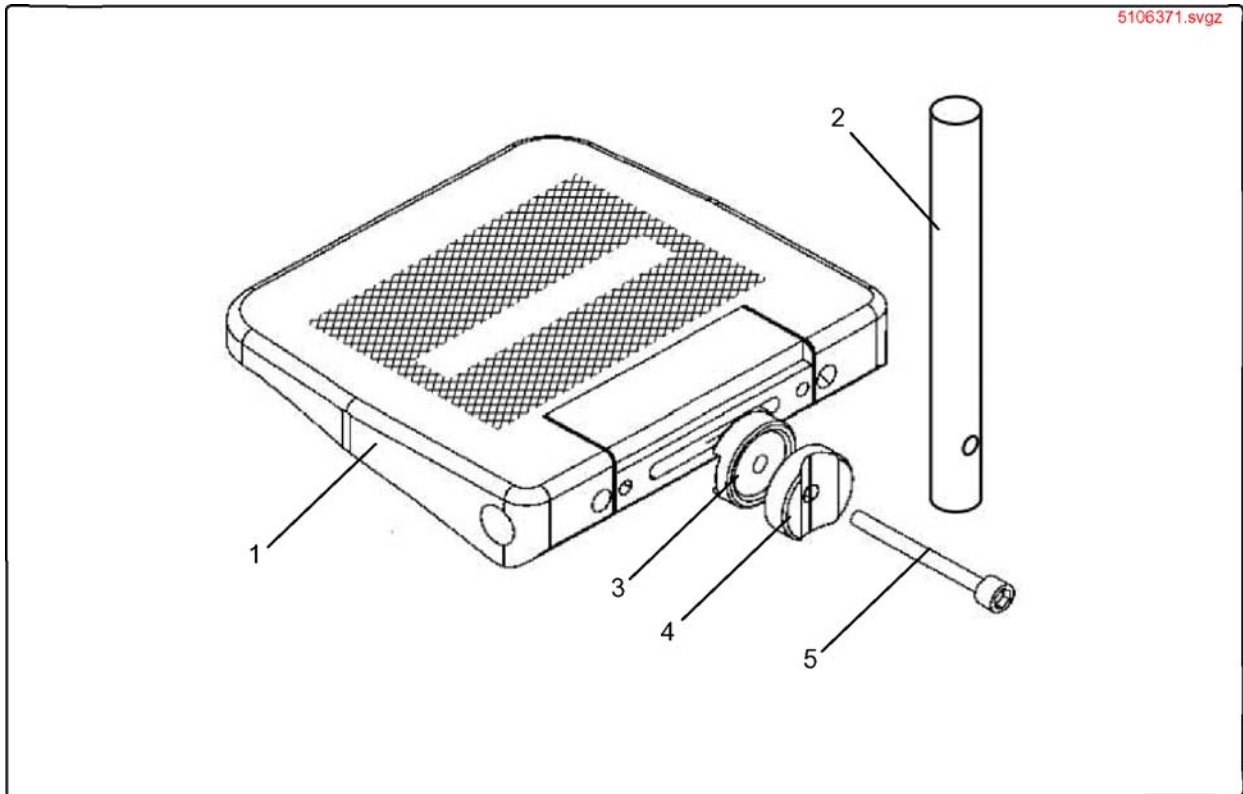
Pos.	Part number	Description	Valid from → until	Qty
1	6002141	Elec Elev L/Rest RH		1
1	6002142	Elec Elev L/Rest LH		1

Footplates & Extensions



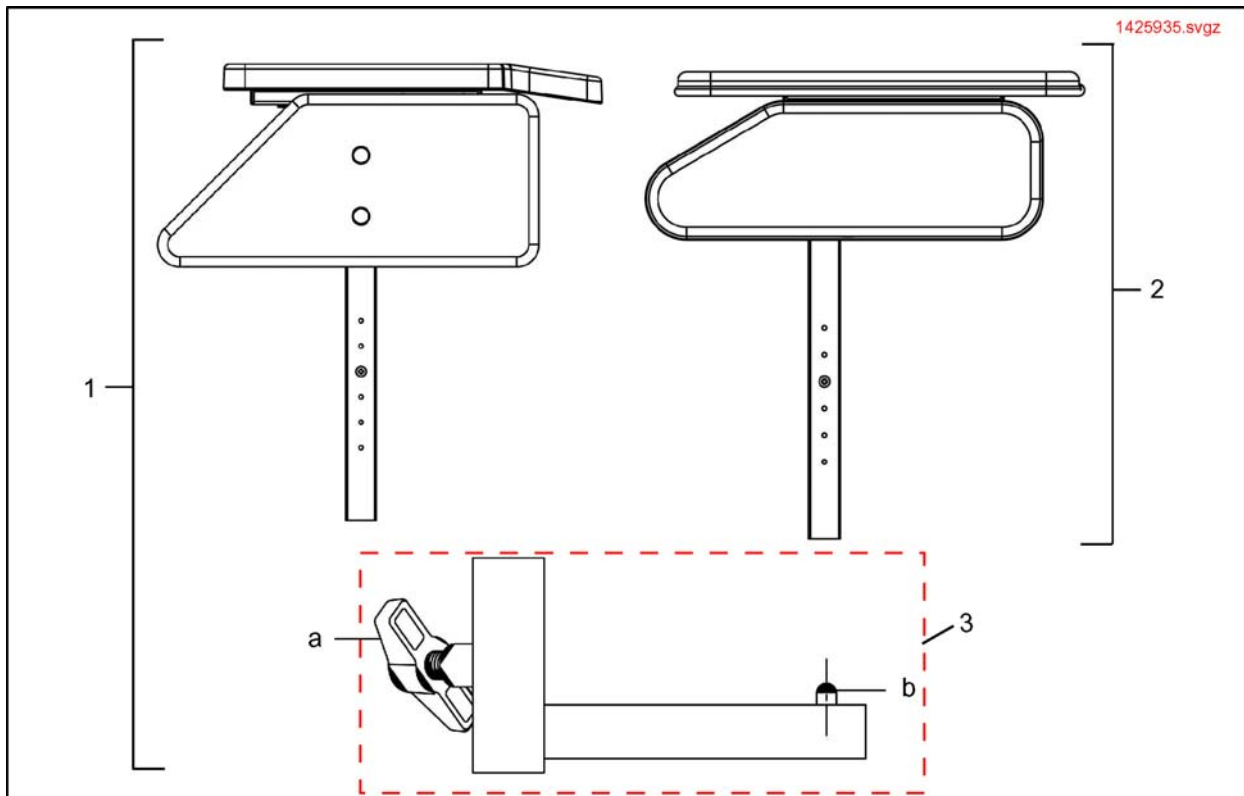
Pos.	Part number	Description	Valid from → until	Qty
1	26003108	F/Rest Ext Blk RH C/W 7.5 Alum Footplate		1
1	26003109	F/Rest Ext Blk LH C/W 7.5 Alum Footplate		1
1	1422338	F/Rest Ext Mini RH C/W 7.5 Alum Footplates		1
1	1422339	F/Rest Ext Mini LH C/W 7.5 Alum Footplates		1
2	26003008	Adj F/Rest RH C/W 7.5 Alum Footplate		1
2	26003009	Adj F/Rest LH C/W 7.5 Alum Footplate		1
2	1425958	Adj Angle F/Rest Kit RH C/W 7.5 Alum Footplate		1
2	1425959	Adj Angle F/Rest Kit LH C/W 7.5 Alum Footplate		1

Footplate Extension Assembly Adapter

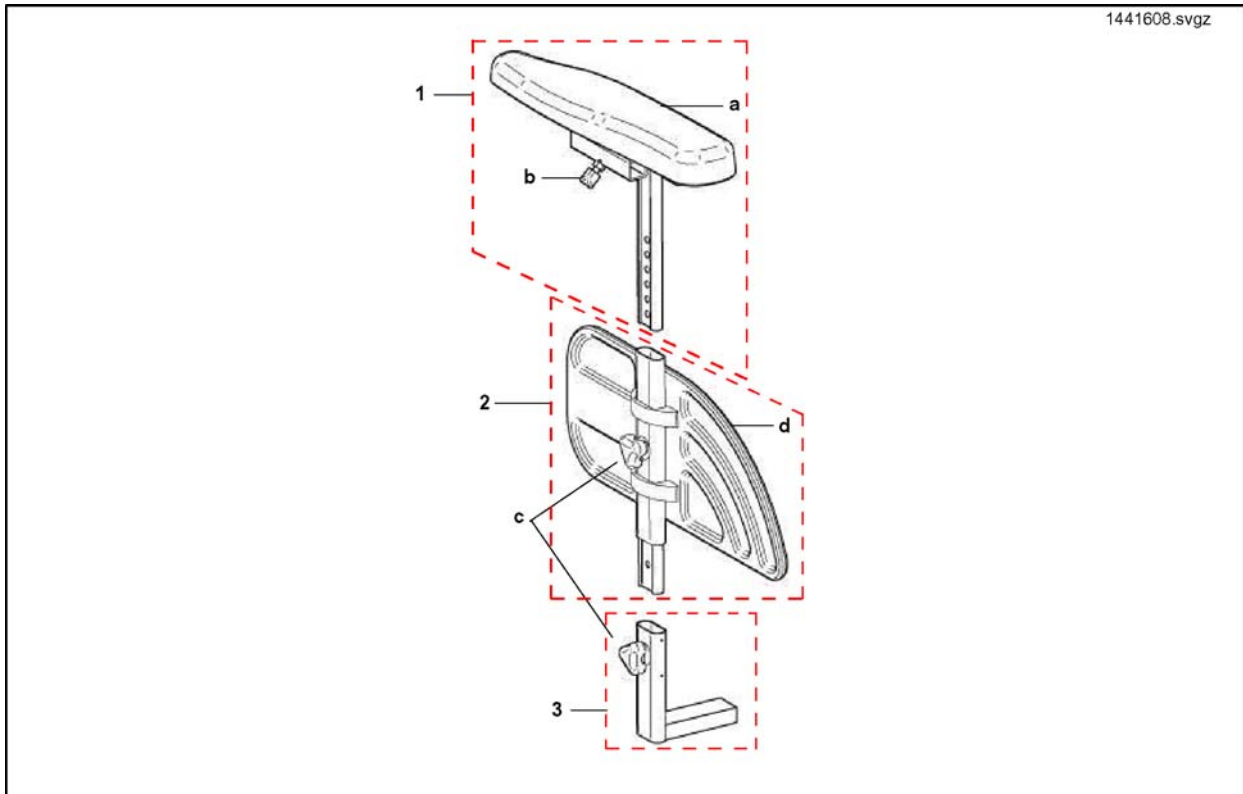


Pos.	Part number	Description	Valid from → until	Qty
1	5106375	FOOTPLATE 16 AA, CPL.		1
2	1422289-0205	Insert Tube Long (Adapt)		1
2	1422288-0205	Insert Tube Short-Adapt		1
3	1421657-0003	Retaining Washer		1
4	5104883	Locking Disc, Ang. Adj., Rounded		1
5	5824310	M6X55 Innensechs.Din912		1

Padded & Moulded Armrest

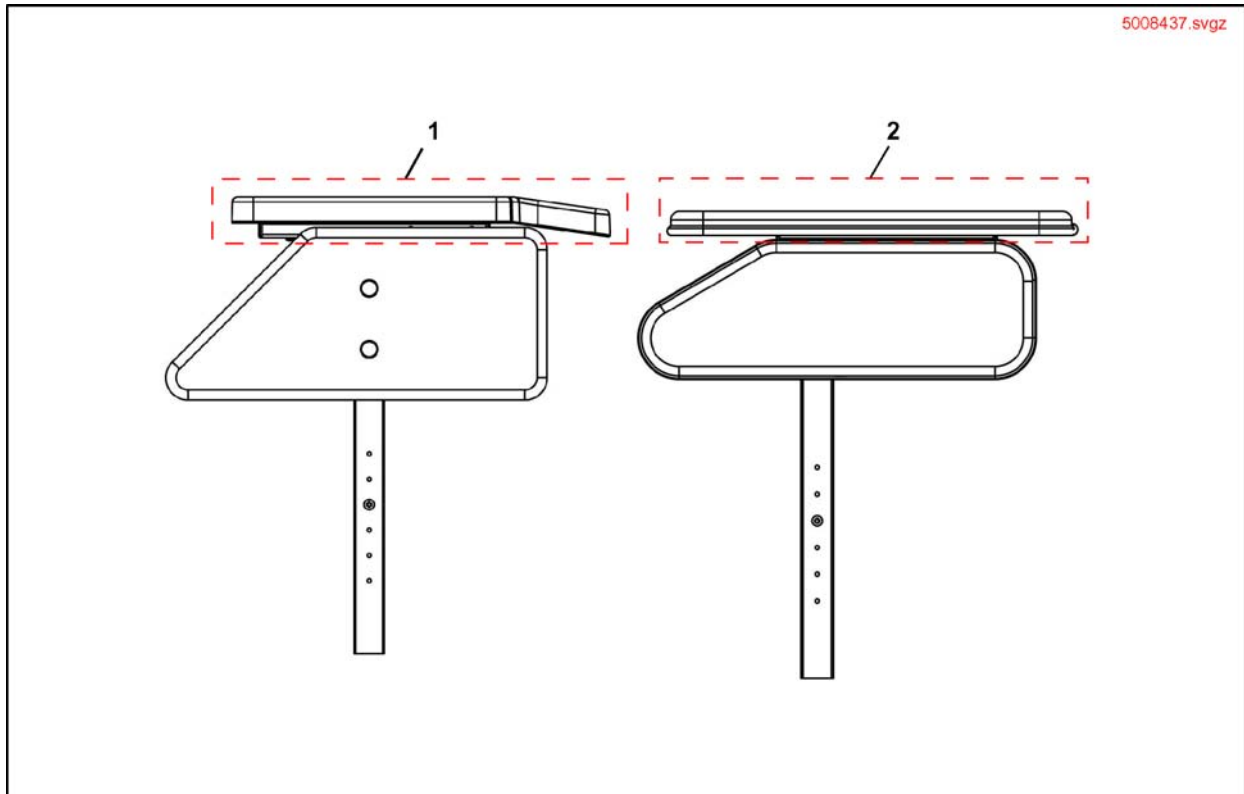


Pos.	Part number	Description	Valid from → until	Qty
1	SP1425934	Part not for sale		1
1	SP1425935	Part not for sale		1
2	SP1425944	Part not for sale		1
2	SP1425948	Part not for sale		1
2	1425945	Upholstered Arm RH Bk P Pearl SW38/43		1
2	SP1425949	Part not for sale		1
3	26003706	Transverse Arm RH Assy		1
3	26003707	Transverse Arm LH Assy		1
a	256099	Wing Screw M8 X 20 639		1
b	-	Single Button Lock Clip		1



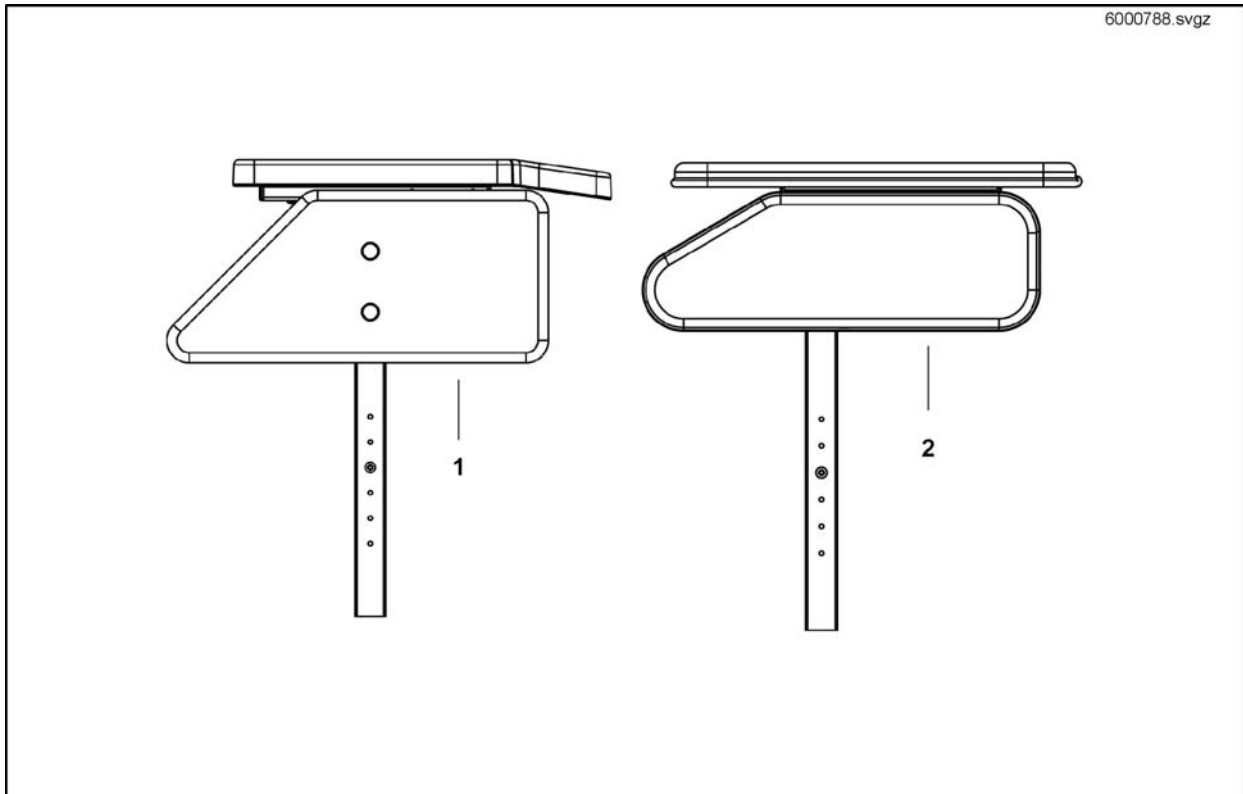
Pos.	Part number	Description	Valid from → until	Qty
d	1433291	Skirt-Guard LH		1
b	L31001	Wing Scew M6X10		1
a	1433328	LH Ergonomic Armpad		1
d	1433292	Skirt-Guard RH		1
c	1434623	Ball Screw Court 7,5mm		1
a	1433327	RH Ergonomic Armpad		1
1	1441608	LH Armrest Top Section C/W Ergonomic Pad		1
1	1441607	RH Armrest Top Section C/W Ergonomic Pad		1
2	SP1436963	LH A/Rest Mid Section		1
2	SP1436962	RH A/Rest Mid Section		1
3	1485103	Armrest Socket compl. (long)		1
4	1421689	Adhesive Label Stop		1

Arm Pads



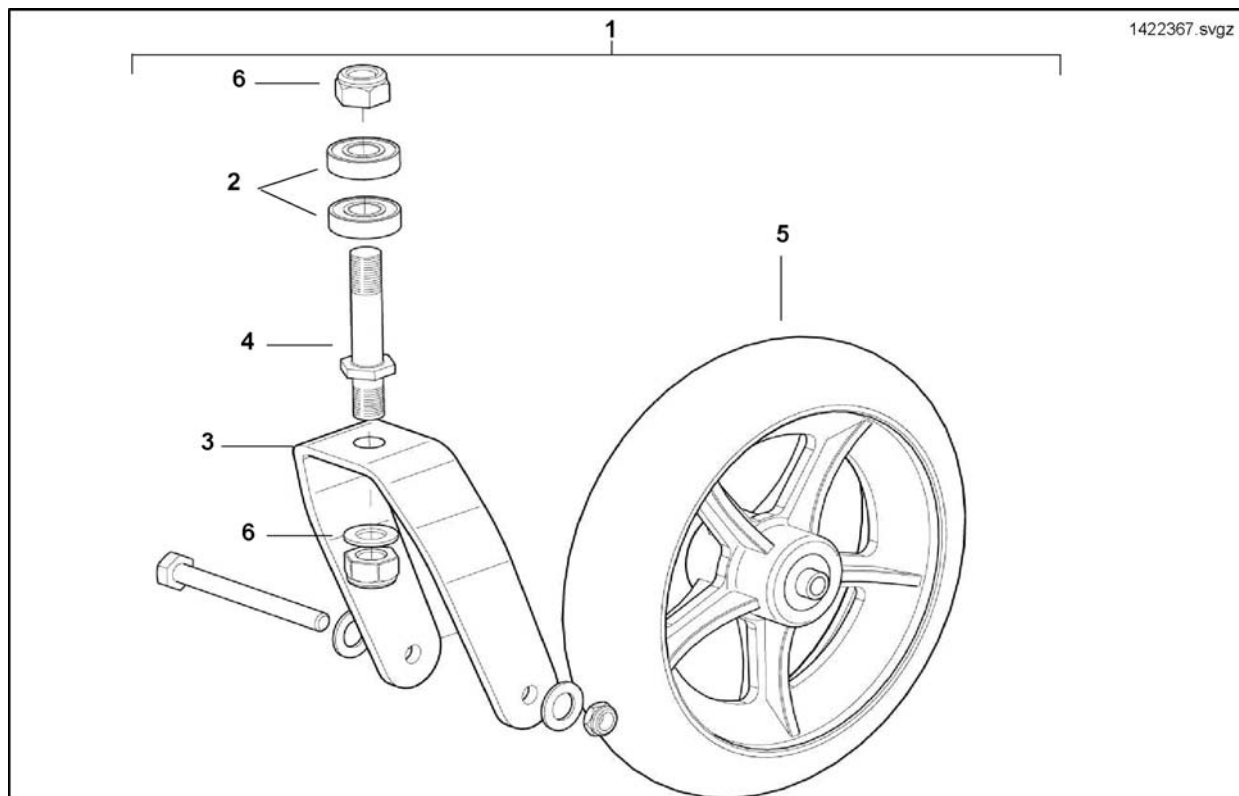
Pos.	Part number	Description	Valid from → until	Qty
1	5008437	Armpad RH		1
1	5008438	Armpad LH		1
2	23008730BKJ	Armpad Std RH Blk Jemima SW 38/43		1
2	23008731BKJ	Armpad Std LH Blk Jemima SW 38/43		1
2	23008730BKP	Armpad Std RH Blk Pearl SW 38/43		1
2	23008731BKP	Armpad Std LH Blk Pearl SW 38/43		1

Side Panels



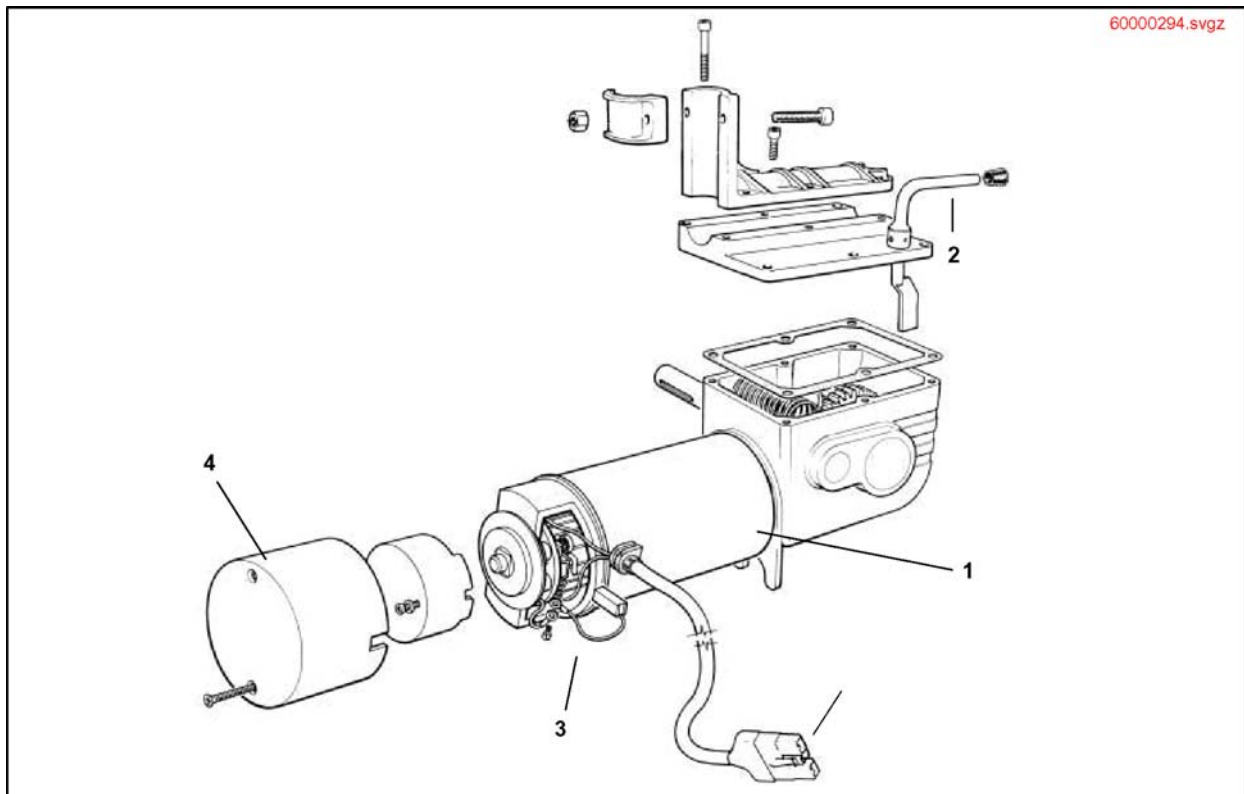
Pos.	Part number	Description	Valid from → until	Qty
1	6000788	Skirtguard Power RH		1
1	6000789	Skirtguard Power LH		1
2	26003224BKJ	Side Panel Med RH Jemima SW38/43		1
2	26003225BKJ	Side Panel Med LH Jemima SW38/43		1
2	26003224BKP	Side Panel Med RH Pearl SW38/43		1
2	26003225BKP	Side Panel Med LH Pearl SW38/43		1

Front Castor Wheels



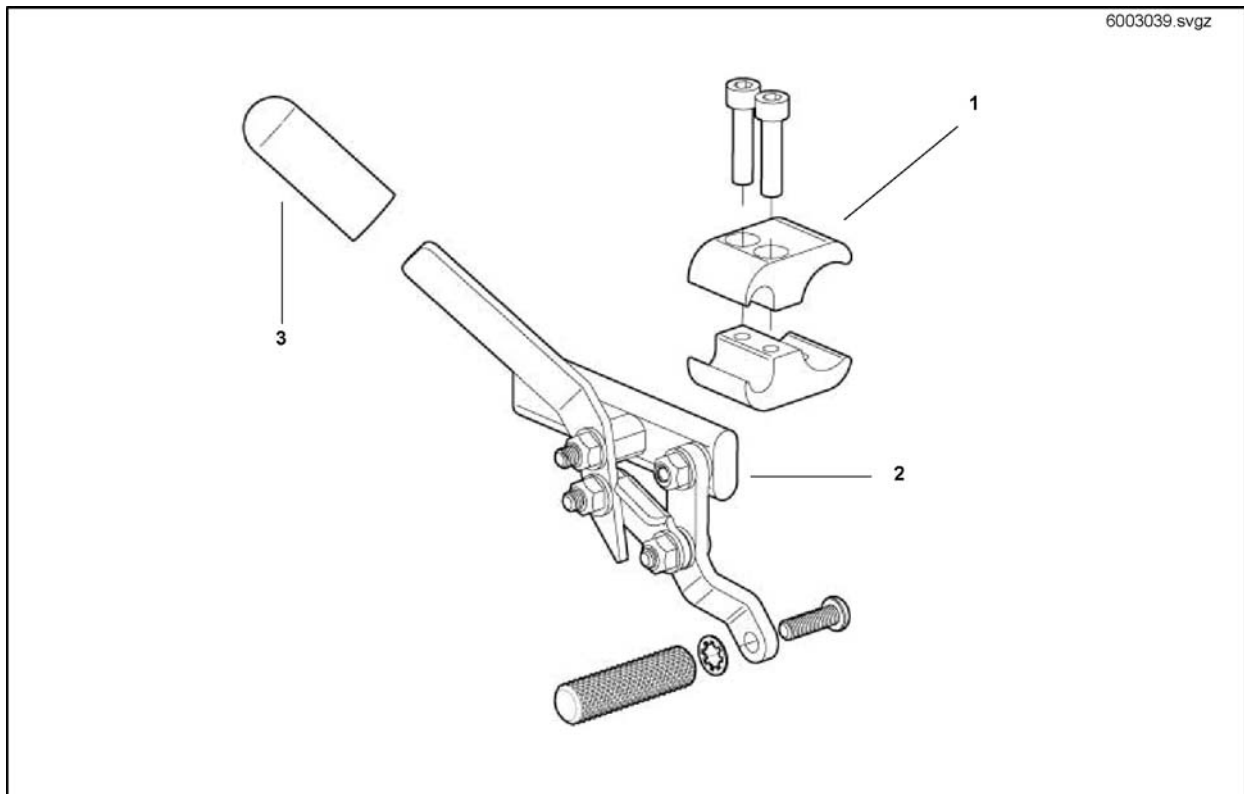
Pos.	Part number	Description	Valid from → until	Qty
1	SP1422367	Part not for sale		1
2	N00204	Bearing - Castor Stem		1
3	D122011A	Castor Fork		1
4	6000811	Castor Stem		1
5	1418196	CASTOR 200x50 (8") MEDIUM HARD		1
6	1441652	Castor Fixing Kit		1

Motors



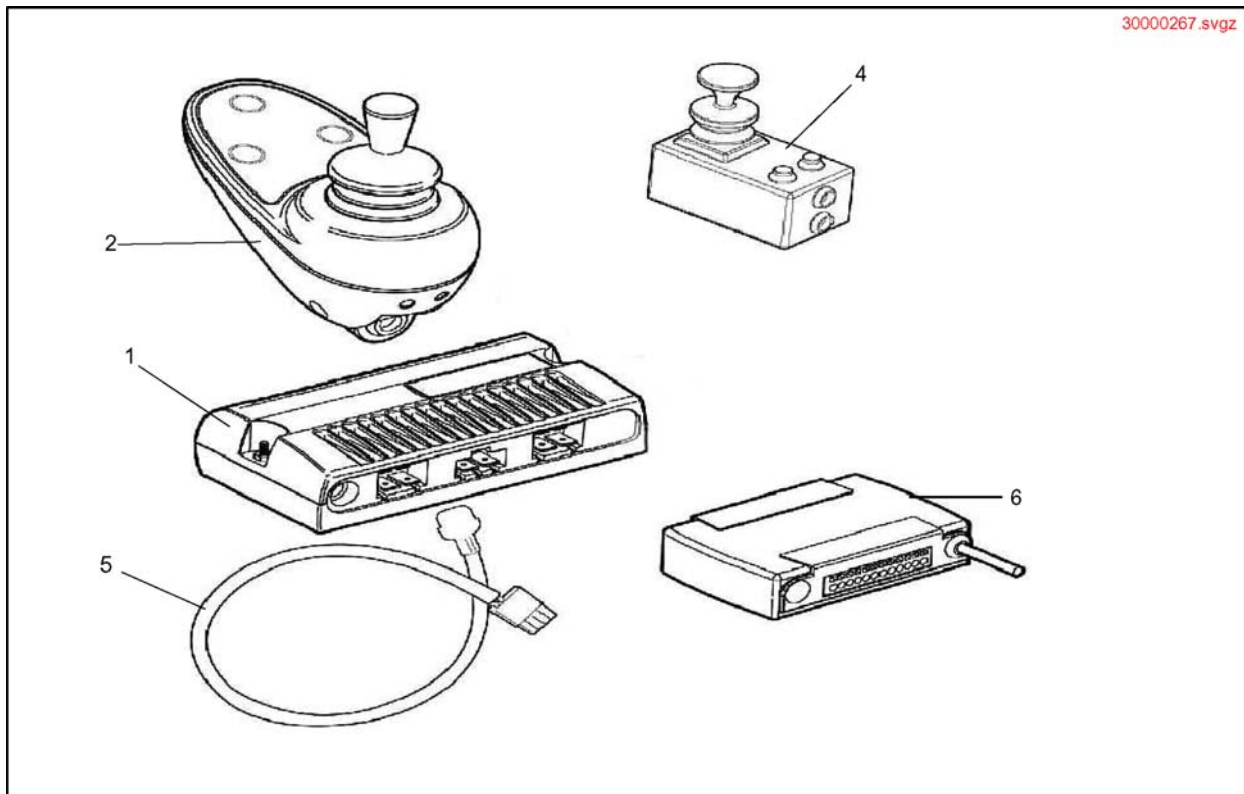
Pos.	Part number	Description	Valid from → until	Qty
1	6001414	Motor ACS RH		1
1	6001415	Motor ACS LH		1
1	SP60000294	Part not for sale		1
1	SP60000295	Part not for sale		1
2	P09207	Gearbox Lid/Declutch assy L.H.		1
2	P09208	Gearbox Lid/Declutch assy R.H.		1
3	P09299	Carbon Brush		1
4	L01992	Plas Cover Atg Motor106W(RH and LH Cover)		1

Parking Brake Assembly (Wheel Lock)



Pos.	Part number	Description	Valid from → until	Qty
1	6003039	Attendant Control Clamping Kit		1
2	7017/22	Brake S/Assy RH		1
2	7017/24	Brake S/Assy LH		1
3	7017/21/05	Brake Knob		1

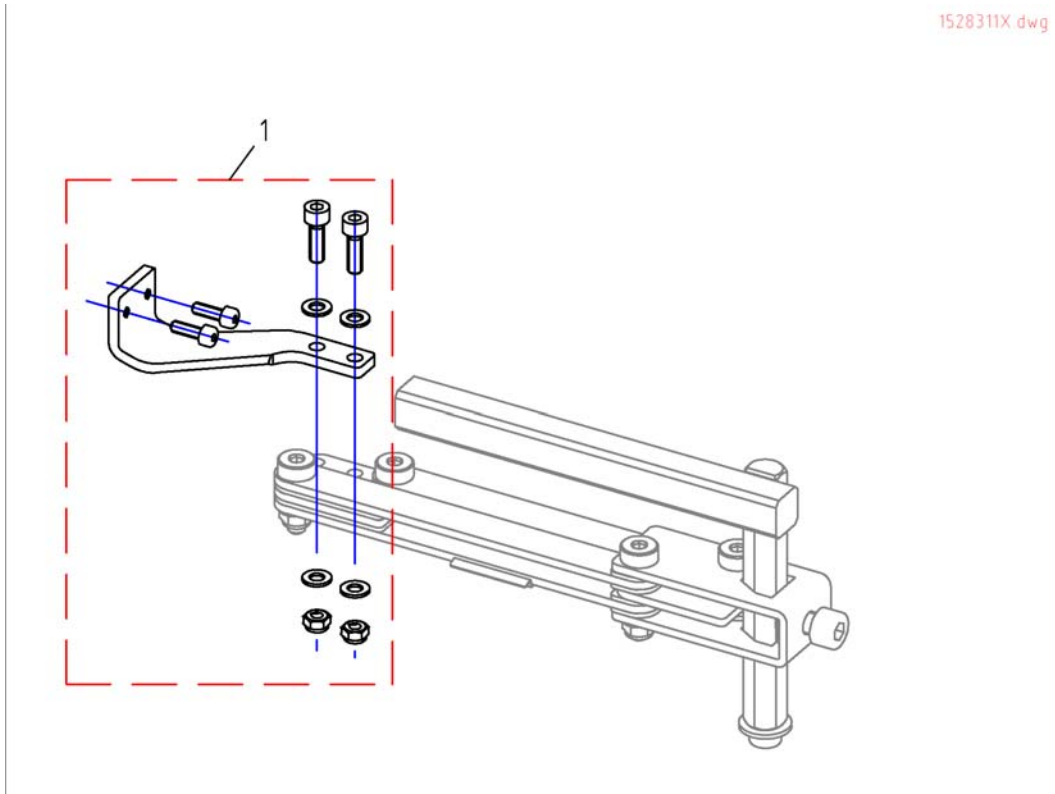
Penny & Giles Controls



Pos.	Part number	Description	Valid from → until	Qty
1	30000265	Pilot+ PM50 Module (D49859)		1
2	30000267	Pilot+ Remote (D49671)		1
4	30000270	Pilot+ Dual Control D49682		1
6	30000271	Pilot+ Clam ALM-5L (D49664)		1
5	1484386	Actuator Loom (Pilot+)		1

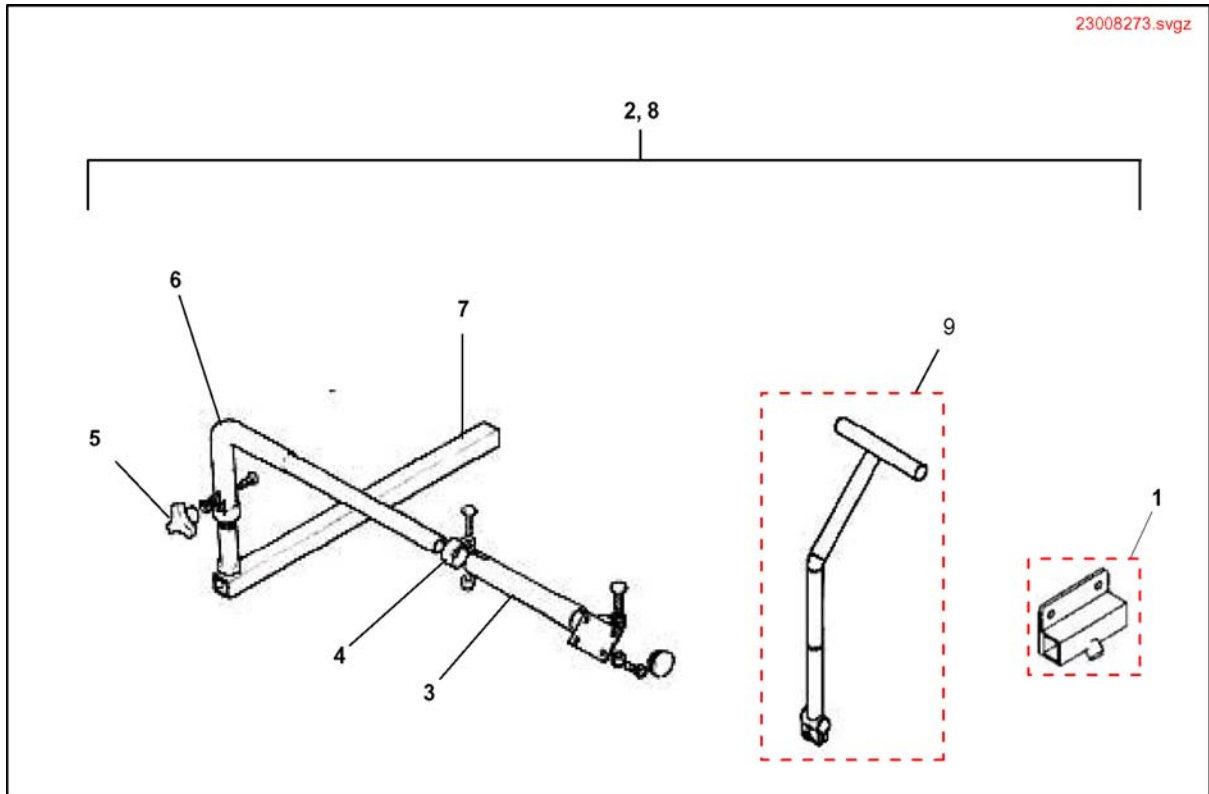
Holder Pilot+, swing away, high end

1528311X.dwg



Pos.	Part number	Description	Valid from → until	Qty
1	SP1528311	Holder Pilot+, swing away, high end RH		1
1	SP1528312	Holder Pilot+, swing away, high end LH		1

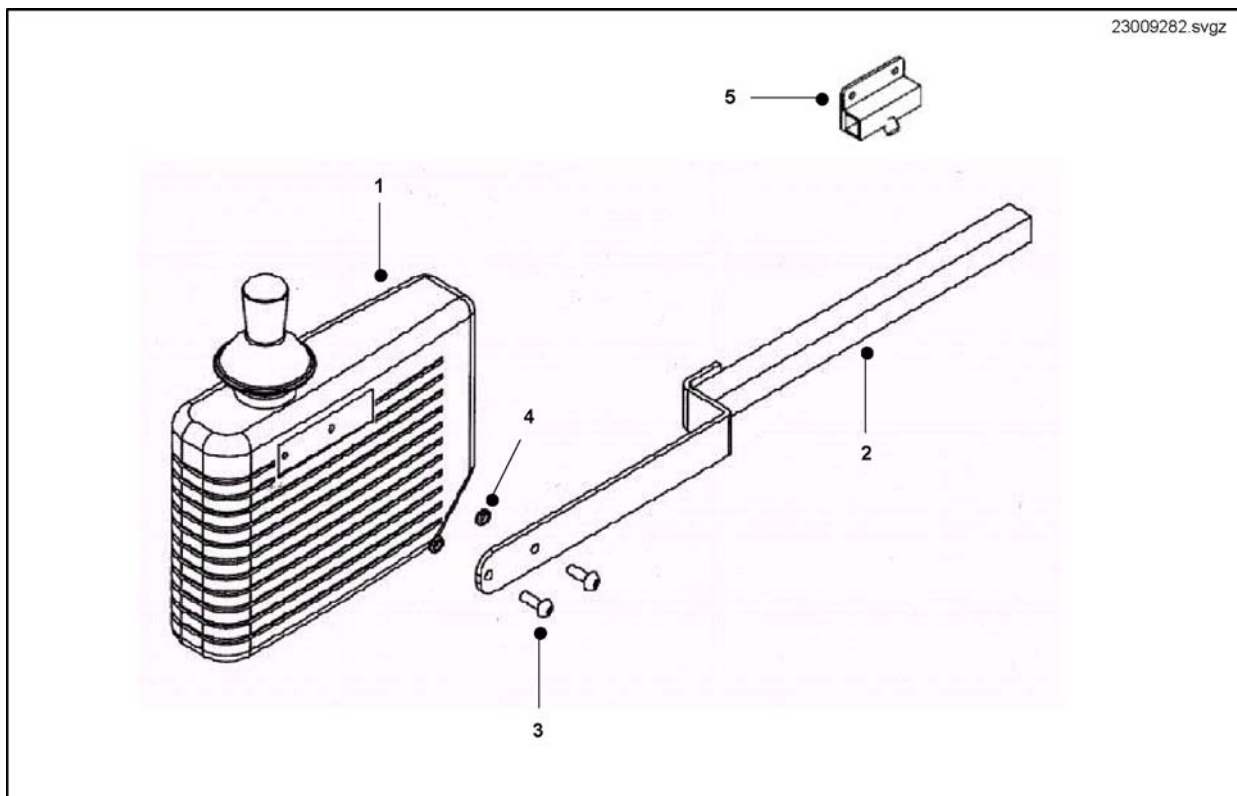
Pilot + Centre Control & Chin Mounting Options



23008273.svgz

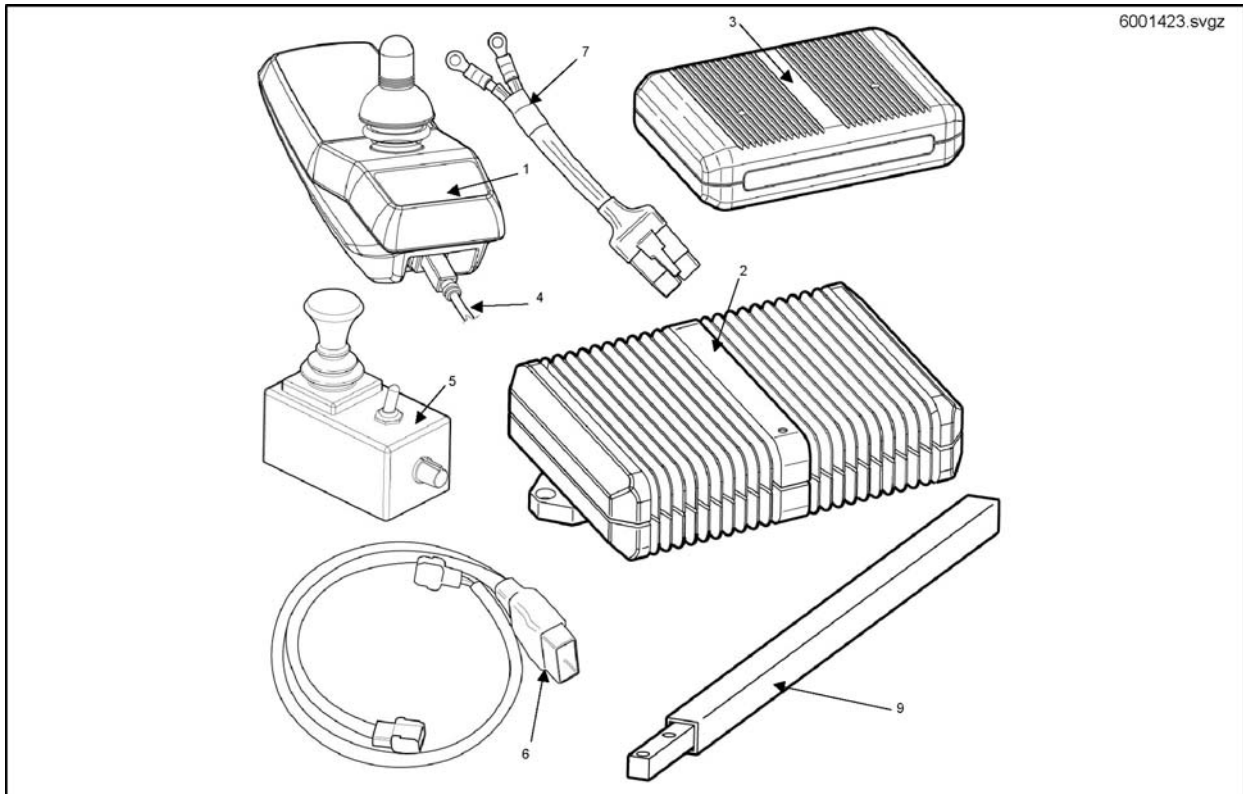
Pos.	Part number	Description	Valid from → until	Qty
1	23008273-0205	Part not for sale		1
2	SP6001563	ACS Chin Control, compl.		1
3	6001824	Extension Tube		1
4	5006720	Klemmschelle F. Dm 22 mm		1
5	90288160	Knob M8 Female 17540		1
6	5009659	Extension Assy		1
7	6001063	J/S Adj Tube Assy		1
8	SP30000269	Pilot+ Chin Control, compl.		1
9	23008451	Upper Cont Support Tube Harrier		1

DI Controls & Std. Bracket



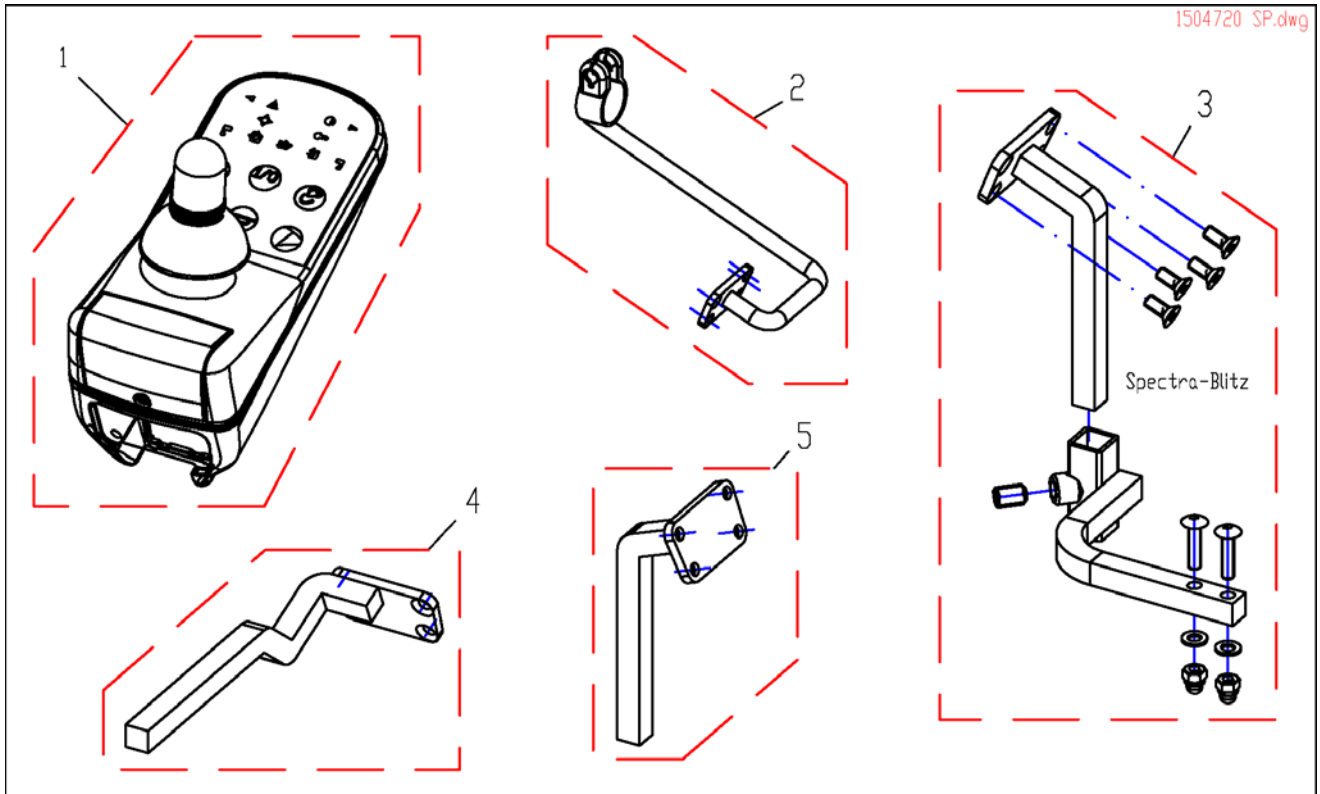
Pos.	Part number	Description	Valid from → until	Qty
1	CONTROL30	Dynamic DL40 (DL40UBH1)		1
2	23009282	Mtg Brkt - DL Controller Tex Black		1
3	D30202	Screw Pan Pozi M5 X 10Cp		1
4	5829198	Plain Washer 12 mm Din 4		1
5	23008273-0205	Part not for sale		1
6	60000260	Loom Spectra/Harrier		1

ACS Control System



Pos.	Part number	Description	Valid from → until	Qty
1	1436541	Remote REM 24 SD		1
2	6001423	ACS Power Module DX-PMB AS60A		1
3	P10081	ACS Light/Actuator Module (Clam)		1
4	GSM63011	ACS Bus-Cable 1,1M		1
5	6001425	ACS Dual Control		1
6	1441764	Lights & Actuator LoomS/Plus c/w S/Riser		1
7	6001413	Power Lead (DX)		1
9	1441778-0205	Joystick Tube Assy Black		1

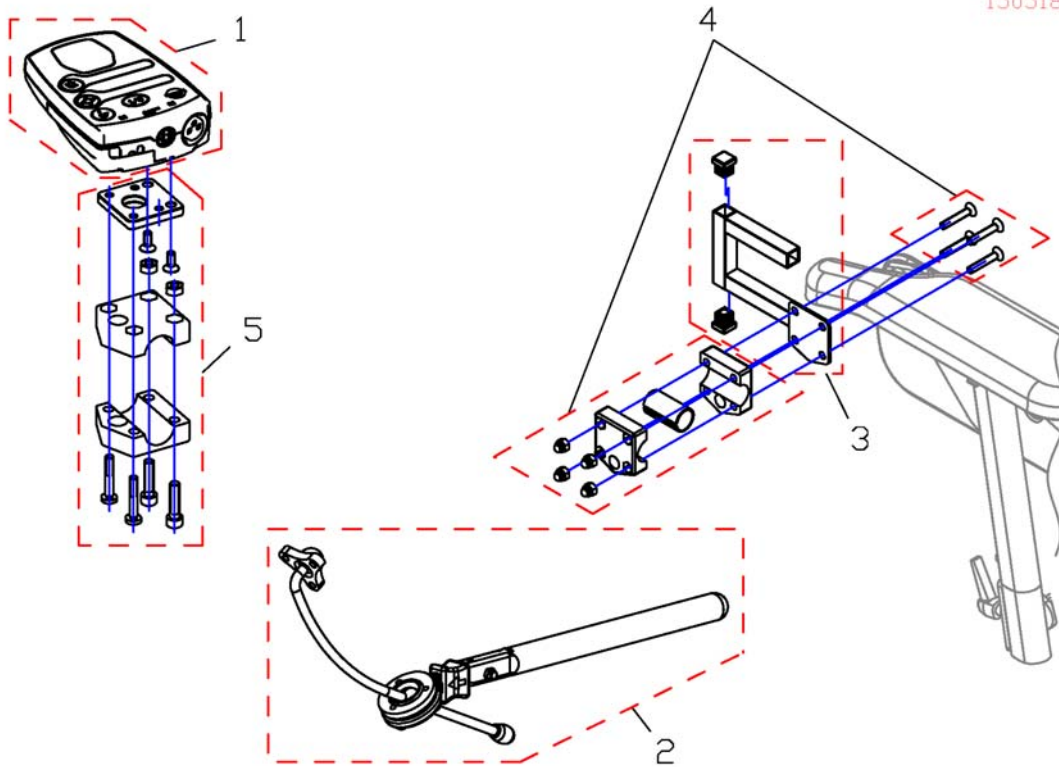
G90 & Holder



Pos.	Part number	Description	Valid from → until	Qty
1	1504720	Remote G90A		1
2	SP1509696	Holder Attendant Control G90A RH		1
2	SP1509702	Holder Attendant Control G90A LH		1
3	1518367	Remote Holder Swing-Away (Spectra-Blitz)		1
4	SP1518449	Holder G90A, Standard, RH		1
4	SP1518450	Holder G90A, Standard, LH		1
5	SP1517352	Remote Holder Swing-Away		1

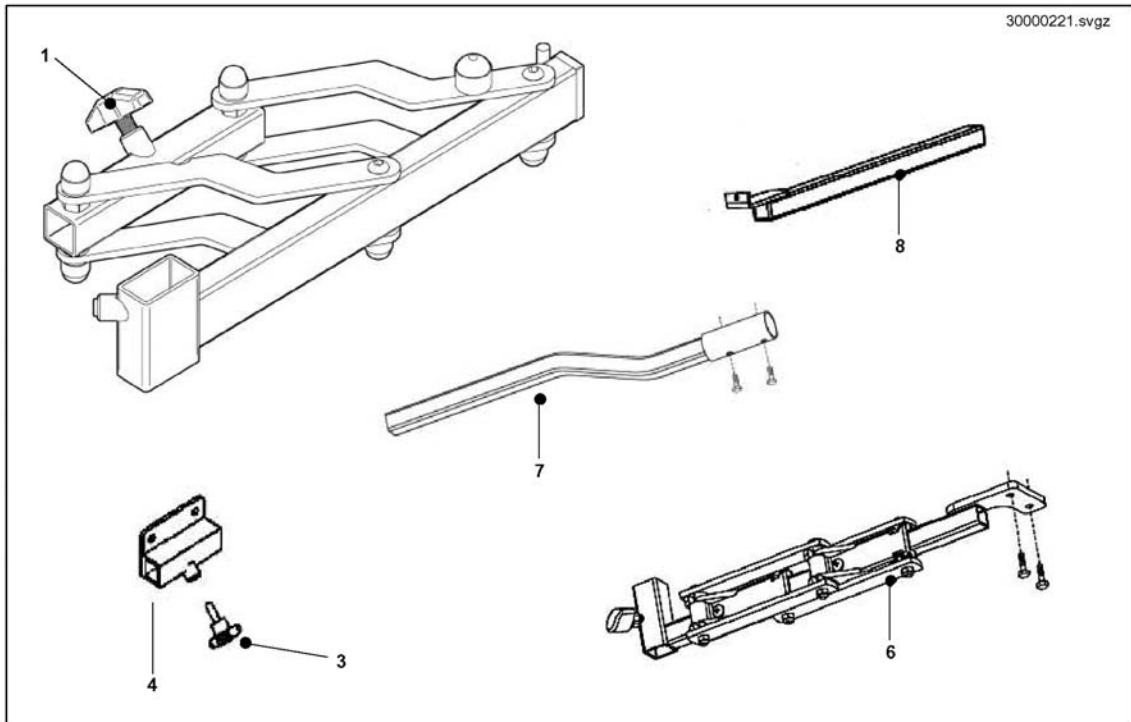
G91 & Holder

1505187.dwg



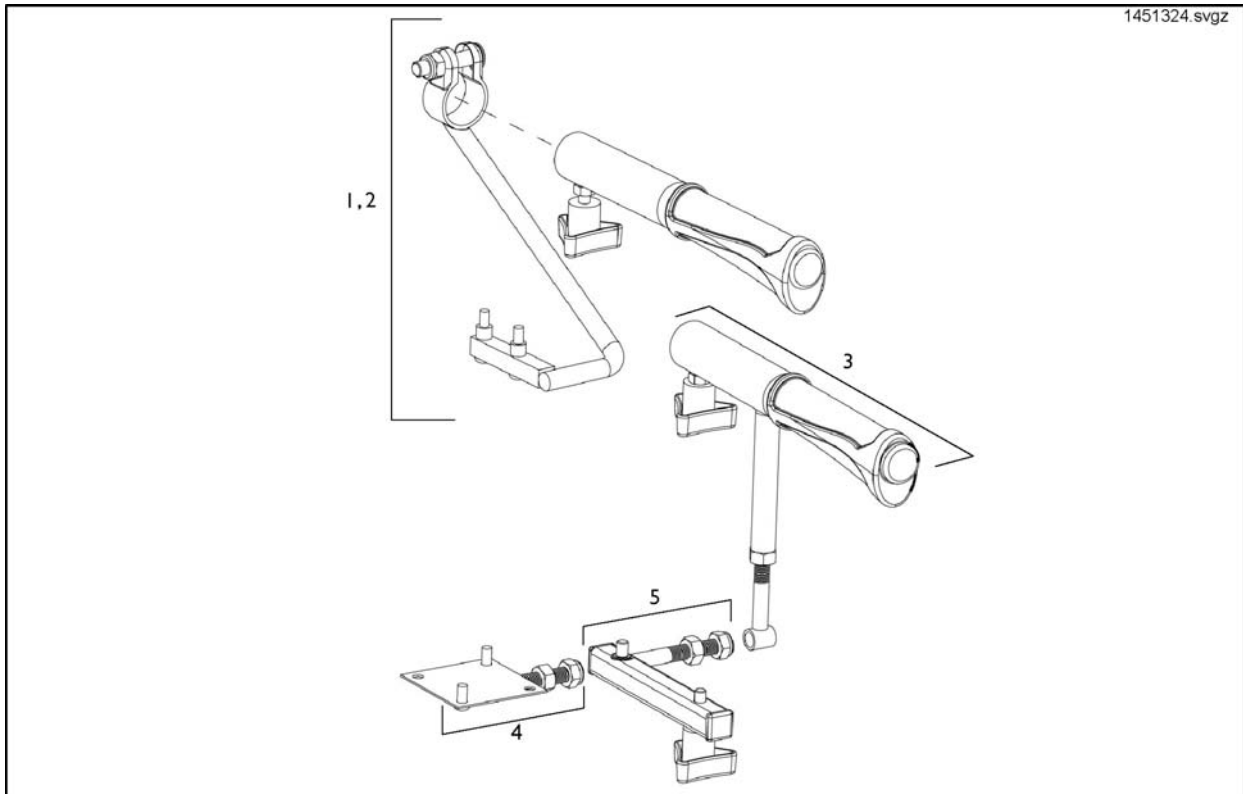
Pos.	Part number	Description	Valid from → until	Qty
1	1505187	Remote Control G91		1
2	SP1527504	Swan Neck Remote Bracket with Adapter Plate		1
3	SP1509711	Adapter G91 RH		1
3	SP1509716	Adapter G91 LH		1
4	SP1527503	Gripper Clamp cpl.		1
5	SP1528271	Holder for Backresttube		1

Dynamic Mounting Options



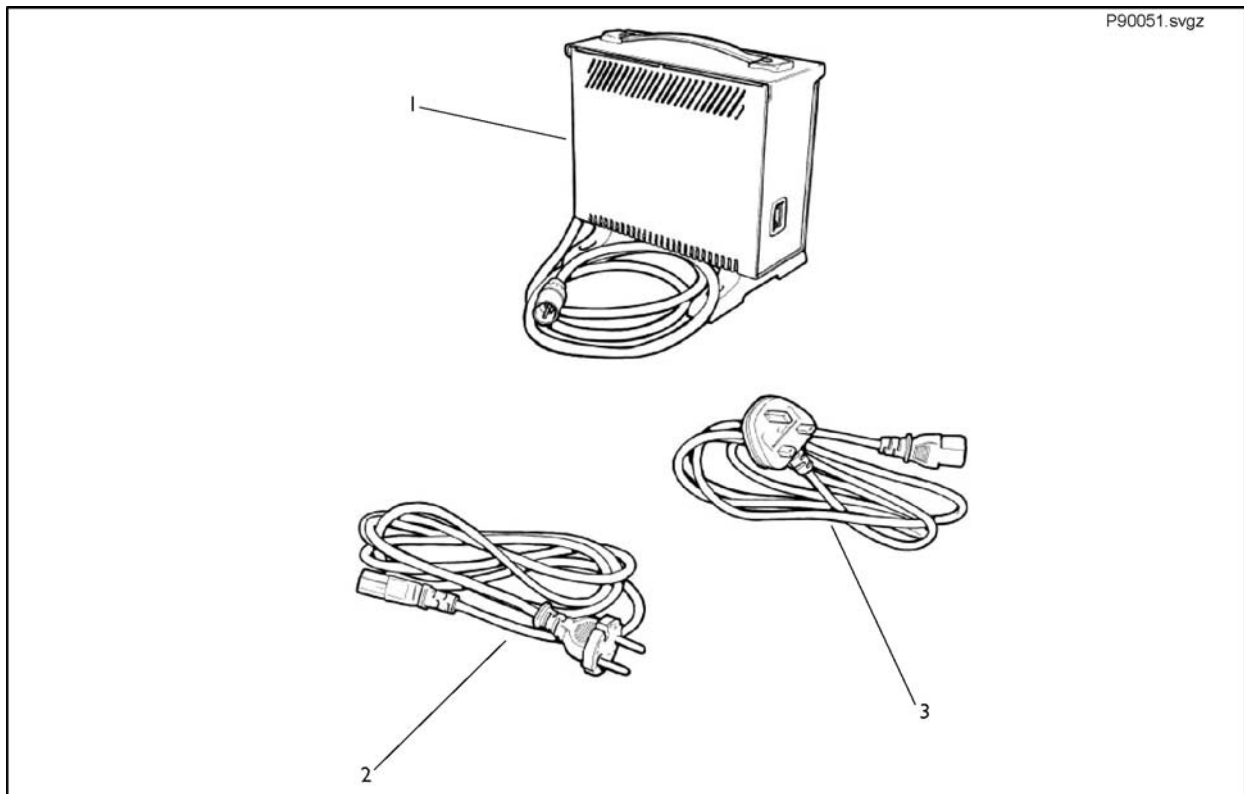
Pos.	Part number	Description	Valid from → until	Qty
	1436867-0216	LH Swing Away Joystick Mounting Arm Bracket		1
	1433312-0216	RH Swing Away Joystick Mounting Arm Bracket		1
1	30000221	S/Away Arm LH		1
1	30000220	S/Away Arm RH		1
2	1441778-0205	Joystick Tube Assy Black		1
3	256099	Wing Screw M8 X 20 639		1
4	23008273-0205	Part not for sale		1
5	SP1509904	Swingaway Bracket Pilotplus RH		1
5	SP1509903	Swingaway Bracket Pilotplus LH		1
6	SP1441636	Part not for sale		1
6	1441637	LH S/Away Arm Complete (Shark 1 & 2)		1
7	1441631	J/Stick Mtg Arm (Fixed)		1
8	1442252-0216	Mounting Brkt Pilot+ Blk		1
9	SP1513568	VR2 Remote Bracket swing away LH		1
9	SP1513567	VR2 Remote Bracket swing away RH		1

Attendant Control Mounting Hardware



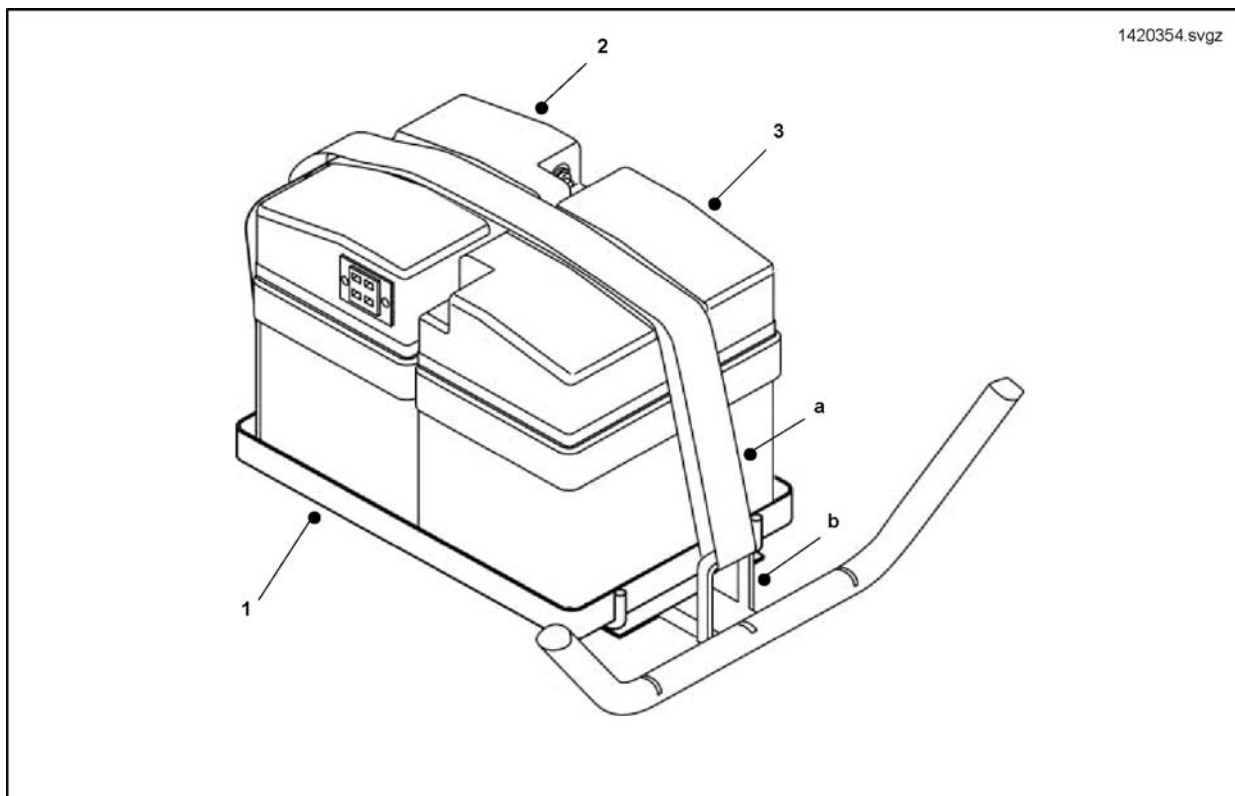
Pos.	Part number	Description	Valid from → until	Qty
1	1451324	ACS/Shark - Joystick Attendant Mounting Arm Right		1
2	1484794	ACS/Shark - Joystick Attendant Mounting Arm Left		1
3	1451325	Push Handle Extension Kit		1
4	1451326	Pilot+ Dual Control Mount Handle Extension Kit		1
5	1451319	P&G Attendant/Dual Control Unit Fixing Kit		1
6	1451320	ACS Dual Control Fixing Kit		1

Battery Charger



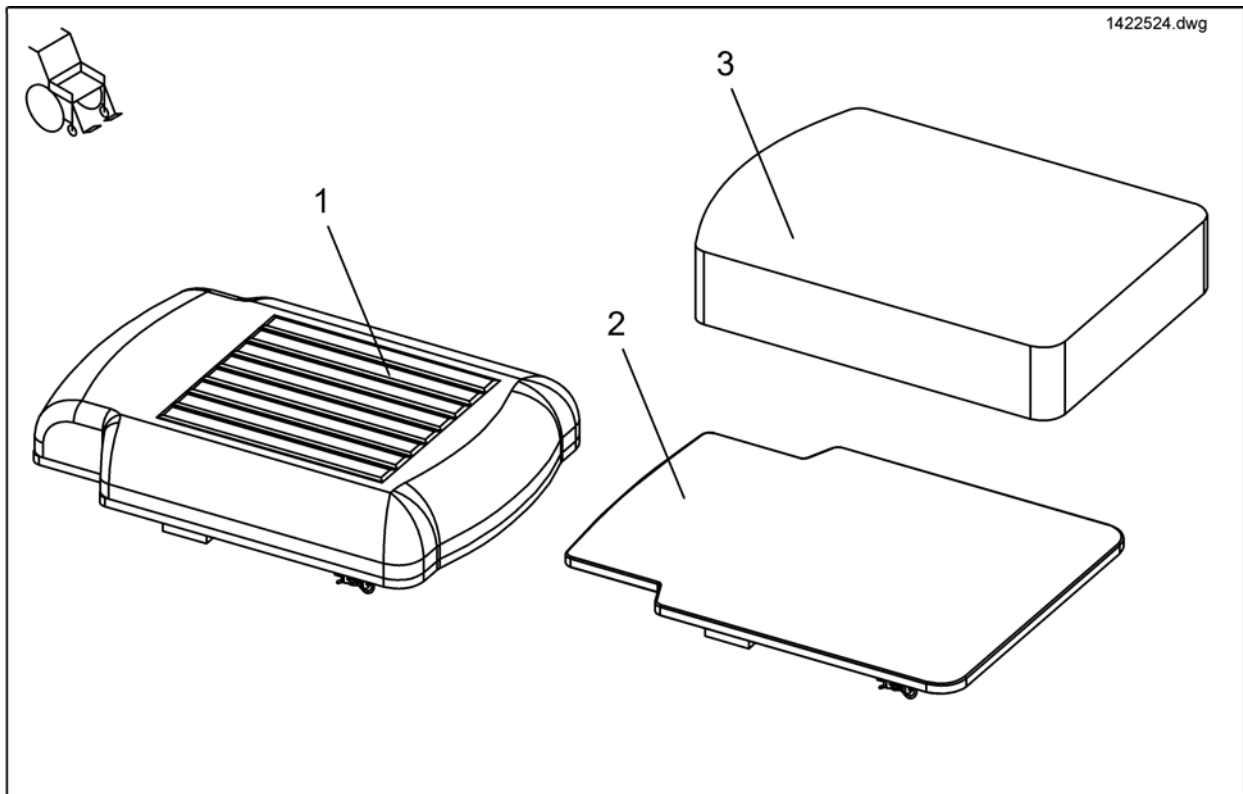
Pos.	Part number	Description	Valid from → until	Qty
1	P51981	Universal Charger 24V/8Ah for Batterys up to 73Ah c20 (without Powercord)		1
2	P21079	Charger Power Cable (Shockproof Plug)		1
3	P21080	Charger Power Cable (Uk)		1

Batterys

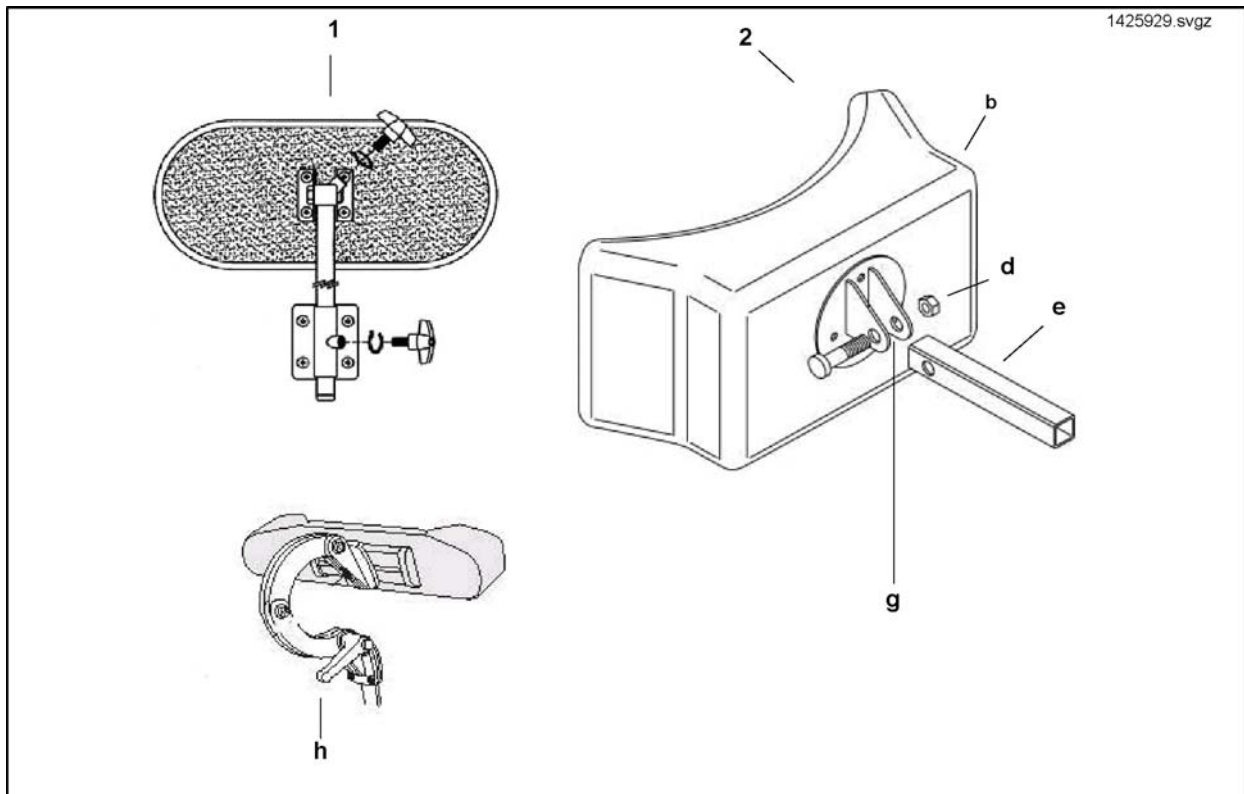


Pos.	Part number	Description	Valid from → until	Qty
1	1420354	Battery Tray - 40Ah		1
2	SP1422318	Batterybox rear, incl. Battery 40Ah		1
3	SP1422316	Batterybox front, incl. Battery 40Ah		1
4	60000258	Batt Tray Restraint Kit		1
a	60000252	Battery Restraint Strap		1
b	60000306	Battery Restraint Loop		1
c	1444916	Shark Power Cable - Spectra Plus		1
d	60000293	Pilot Plus Loom		1
f	6001413	Power Lead (DX)		1
g	P22167	Connector Anderson Sb50A		1
h	1511058	Battery Cable		1
5	SP1413795	Protective Cover Powermodul		1

Upholstered Seat Assembly



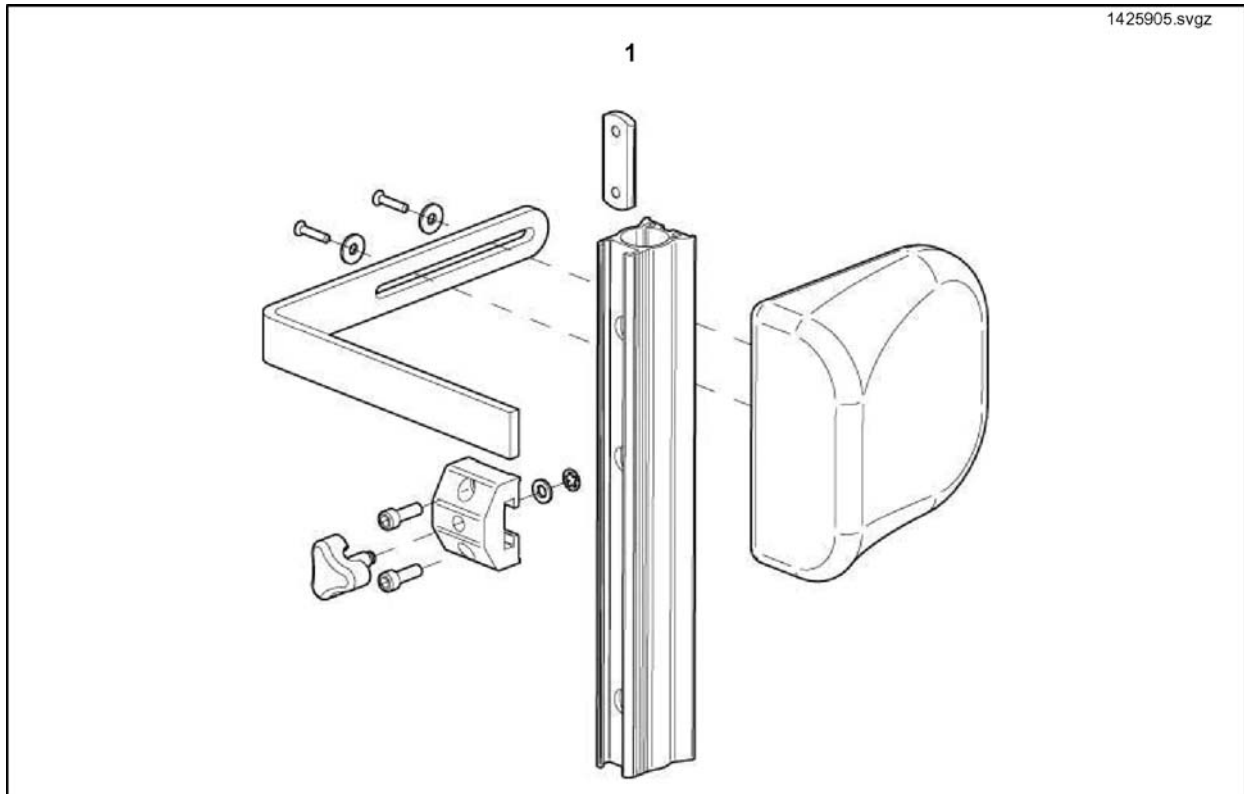
Pos.	Part number	Description	Valid from → until	Qty
1	1425896	Padded Seat 43cm Blackjemima		1
1	1425897	Padded Seat 43cm Black Pearl		1
2	1425900	Seatboard 43cm Blackjemima		1
2	1425901	Seatboard 43cm Black Pearl		1
3	FLB17/14	Flo-Tech Lite Cush.,Blk Smth Cvr 17X14		1
3	FLB17/15	Flo-Tech Lite Cush.,Blk Smth Cvr 17X15		1
3	FLB17	Flo-Tech Lite Cush.,Blk Smth Cvr 17X17		1
3	FLB17/19	Flo-Tech Lite Cush.,Blk Smth Cvr 17X19		1
4	20001691-0205	Seat Support Brkt.Textur Black		1
5	1433451	FE35 Federstecker einfach verzinkt 3,0 x 18,00		1



1425929.svgz

Pos.	Part number	Description	Valid from → until	Qty
1	1425929	H/ Rest Curve1 Kit Blk Jemima		1
1	1425930	H/ Rest Curve1 Kit Blk Pearl		1
2	1425933	H/ Rest Curve 2 Kit		1
3	1446559	HEADREST TR26 CPL SIDEWISE ADJUSTABLE		1
b	5050/26/02BLK	H/Rest Pad Moulded - Black Pu		1
e	L31005	Handlever M8 Female		1
e	1422193-9005	Horiz. Tube H/Rest Supp.200mm		1
f	-	Cross Head Screw M4 X 30		1
g	G00106	Washer 8,4 X 17 X 1,6		1
d	F20105	Nyloc Nut M8 Din 985		1

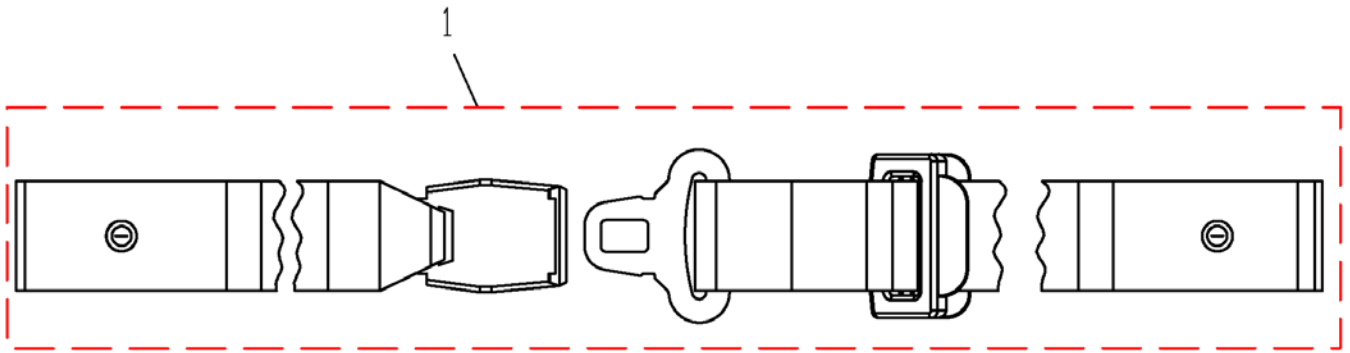
Trunk Support



Pos.	Part number	Description	Valid from → until	Qty
1	1425904	Trunk Supp.(S) RH Black Jemima (SW33)		1
1	1425905	Trunk Supp. (S) RH Black Pearl (SW33)		1
1	1425908	Trunk Supp. (S) LH Black Jemima (SW33)		1
1	1425909	Trunk Supp. (S) LH Black Pearl (SW33)		1
1	1425912	Trunk Support RH Black Jemima (SW38/43)		1
1	1425913	Trunk Support RH Black Pearl (SW38/43)		1
1	1425916	Trunk Support LH Black Jemima (SW38/43)		1
1	1425917	Trunk Support LH Black Pearl (SW38/43)		1

Buckle Lapbelt

1510199.dwg

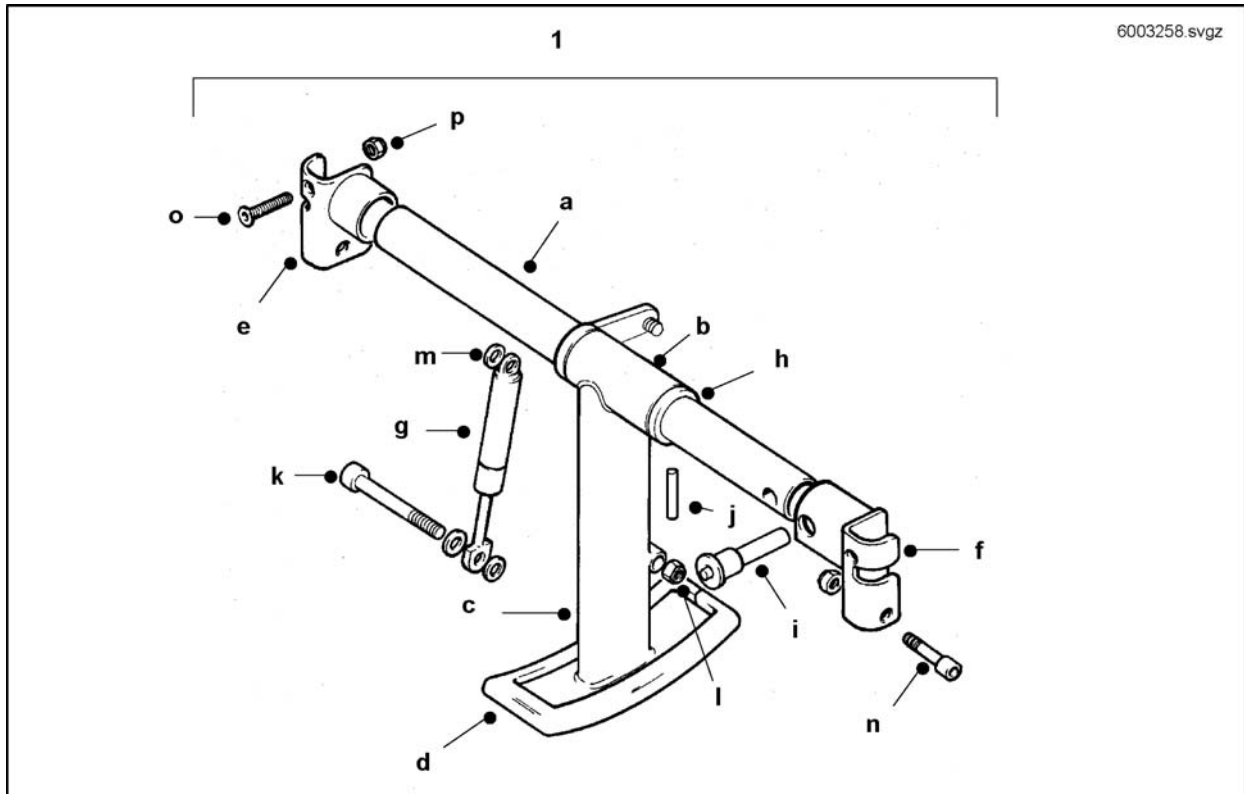


Pos.	Part number	Description	Valid from → until	Qty
1	1510199	Lap Belt		1

Tray Assembly

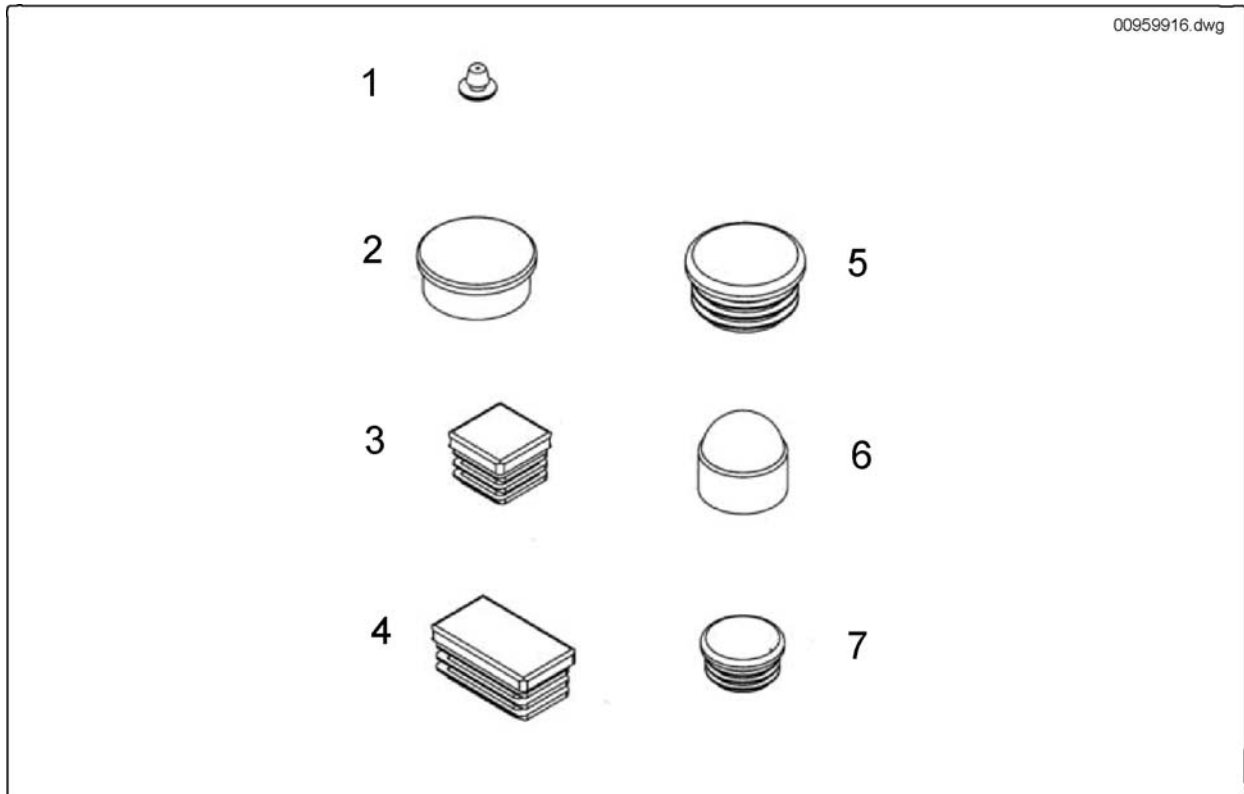
Pos.	Part number	Description	Valid from → until	Qty
1	1446705	66 cm Acrylic Tray Kit LH Cut Out, RH Fixing		1
2	1449495	66 cm Acrylic Tray Kit RH Cut Out, LH Fixing		1
3	SP1523763	Tray No Cutout 46 cm cpl.		1
4	1441714-0216	Tray Support Assy Black		1

Kerb Climber Centre



Pos.	Part number	Description	Valid from → until	Qty
1	1450787	K/Climb Spec.S/Riser		1
a	6002685-9005	Cross Tube SubAssy-40cm		1
b	6002332	Kerb Climber Foot Assy		1
e	1436763-9005	RH Brkt Assy K/C S/Riser		1
f	1436764-9005	LH Brkt Assy K/C S/Riser		1
g	N10499	Gas Spring		1
i	F368016.99	Locking Bolt - Quick Release		1
j	J30110	Pin Roll M5X25 Zp		1
k	D08126	Hex Head Screw M6 X 45		1
l	F20104	Nut M5 Din 985		1
m	-	Washer 6,4 X 12,5 X 1,6 DIN 125		1
n	E10132	Bolt Skt Cap M5 X 35 Blk jap.		1
o	D60114	Screw Skt Csk M5X35 Htblk Jap		1
p	F20103	Nyloc Nut M5		1
d	6002218	Bordsteinheber-Fußplatte		1

Fixtures & Fittings



Pos.	Part number	Description	Valid from → until	Qty
1	00959916	Plug 6mm Black		1
2	00959910	Insert Cap - Black		1
3	L01055	Tube End Plug E 15 X 15		1
4	00959925	End Plug Rect.30x15 BLK. Vierkantstopfen 30x15		1
5	L01044	Tube End Plug SI 32		1
6	90042168	Black Bolt Cap		1
7	L01019	End Plug 7/8"		1



Yes, you can.®



Belgium & Luxemburg:

Invacare nv, Autobaan 22, B-8210 Loppem
Tel: (32) (0)50 83 10 10, Fax: (32) (0)50 83 10 11
belgium@invacare.com

Danmark:

Invacare A/S, Sdr. Ringvej 37, DK-2605 Brøndby
Tel: (45) (0)36 90 00 00, Fax: (45) (0)36 90 00 01
denmark@invacare.com

Deutschland:

Invacare Aquatec GmbH, Alemannenstraße 10, D-88316 Isny
Tel: (49) (0)75 62 7 00 0, Fax: (49) (0)75 62 7 00 66
info@invacare-aquatec.com

European Distributor Organisation:

Invacare, Kleiststraße 49, D-32457 Porta Westfalica
Tel: (49) (0)57 31 754 540, Fax: (49) (0)57 31 754 541
edo@invacare.com

España:

Invacare SA, c/Areny s/n, Polígon Industrial de Celrà, E-17460 Celrà (Girona)
Tel: (34) (0)972 49 32 00, Fax: (34) (0)972 49 32 20
contactsp@invacare.com

France:

Invacare Poirier SAS, Route de St Roch, F-37230 Fondettes
Tel: (33) (0)2 47 62 64 66, Fax: (33) (0)2 47 42 12 24
contactfr@invacare.com

Ireland:

Invacare Ireland Ltd, Unit 5 Seatown Business Campus, Seatown Road, Swords, County Dublin - Ireland
Tel: (353) 1 810 7084, Fax: (353) 1 810 7085
ireland@invacare.com

Italia:

Invacare Mecc San s.r.l., Via dei Pini 62, I-36016 Thiene (VI)
Tel: (39) 0445 38 00 59, Fax: (39) 0445 38 00 34
italia@invacare.com

Nederland:

Invacare BV, Celsiusstraat 46, NL-6716 BZ Ede
Tel: (31) (0)318 695 757, Fax: (31) (0)318 695 758
nederland@invacare.com, csede@invacare.com

Norge:

Invacare AS, Grensesvingen 9, Postboks 6230, Etterstad, N-0603 Oslo
Tel: (47) (0)22 57 95 00, Fax: (47) (0)22 57 95 01
norway@invacare.com, island@invacare.com

Österreich:

Mobitec Mobilitätshilfen GmbH, Herzog Odilostrasse 101, A-5310 Mondsee
Tel: (43) 6232 5535 0, Fax: (43) 6232 5535 4
office@mobitec-austria.com, austria@invacare.com

Portugal:

Invacare Lda, Rua Senhora de Campanhã 105, P-4369-001 Porto
Tel: (351) (0)225 1059 46147, Fax: (351) (0)225 1057 39
portugal@invacare.com

Sverige & Suomi:

Invacare AB, Fagerstagatan 9, S-163 91 Spånga
Tel: (46) (0)8 761 70 90, Fax: (46) (0)8 761 81 08
sweden@invacare.com, finland@invacare.com

Switzerland:

Mobitec Rehab AG, Benkenstrasse 260, CH-4108 Wittenswil
Tel: (41) (0)61 487 70 80, Fax: (41) (0)61 487 70 81
office@mobitec-rehab.ch, switzerland@invacare.com

United Kingdom:

Invacare Ltd, South Road, Bridgend Industrial Estate, UK-Bridgend CF31 3PY
Tel: (44) (0)1656 664 321, Fax: (44) (0)1656 667 532
UK@invacare.com