



Yes, you can.®

Invacare® **Octave**

Spare Part List (GB)



CE

Table of contents

Base	2
Base	3
Assembled of shear	4
Assembled of shear.	5
Top frame, assembled.	6
Top frame, assembled.	7
Fittings	8
Fittings.	9
Wooden bedend, Irene	10
Wooden bedend, Irene	11
Wooden siderail BRITT IV	12
Wooden siderail BRITT IV	13
Wooden adapter, Pia, right	14
Wooden adapter, Pia, right	15
Wooden adapter, Pia, left.	16
Wooden adapter, Pia, left.	17
Lifting pole	18
Lifting pole.	19
Support.	20
Support	21
Mattress support extension, for head- or leg section with 10 cm. . . .	22
Mattress support extension, for head- or leg section with 10 cm	23
Trolley	24
Trolley.	25

Base

Page 1 of 2

Marts 2005

Pos.	Psc.	Ident. no.:	Description
1	4	317374-XXXX	Cover
2	2	414411	Pedal rubber
3	2	414412	Pedal rubber
4	4	414654	Retainer
5	4	803279	Starlock with cap, Ø10
6	4	803876	Washer, DIN127B, B08
7	4	804239	Washer, DIN125A-12, PA6.6
8	4	806644	Pin, ISO8750 5X14
9	4	809982	Ferrule, inside, Black, Ø32
10	4	815778	Screw, ISO7380, M8X12
11	4	817243	Screw, DIN0913, M6X8
12	16	817252	Screw, ISO7051, 4-2X13
13	2	821213	Pin, ISO8750, 5X36
14	1	1444012-XXXX	Base
15	1	1446487-XXXX	Central brake pedal
16	1	1446488-XXXX	Central brake pedal
17	2	1446489	Central braking rod
18	1	1446490	Axle for central braking castor
19	1	1446491	Axle for central braking castor
20	4	1451426	Wheel, Ø125

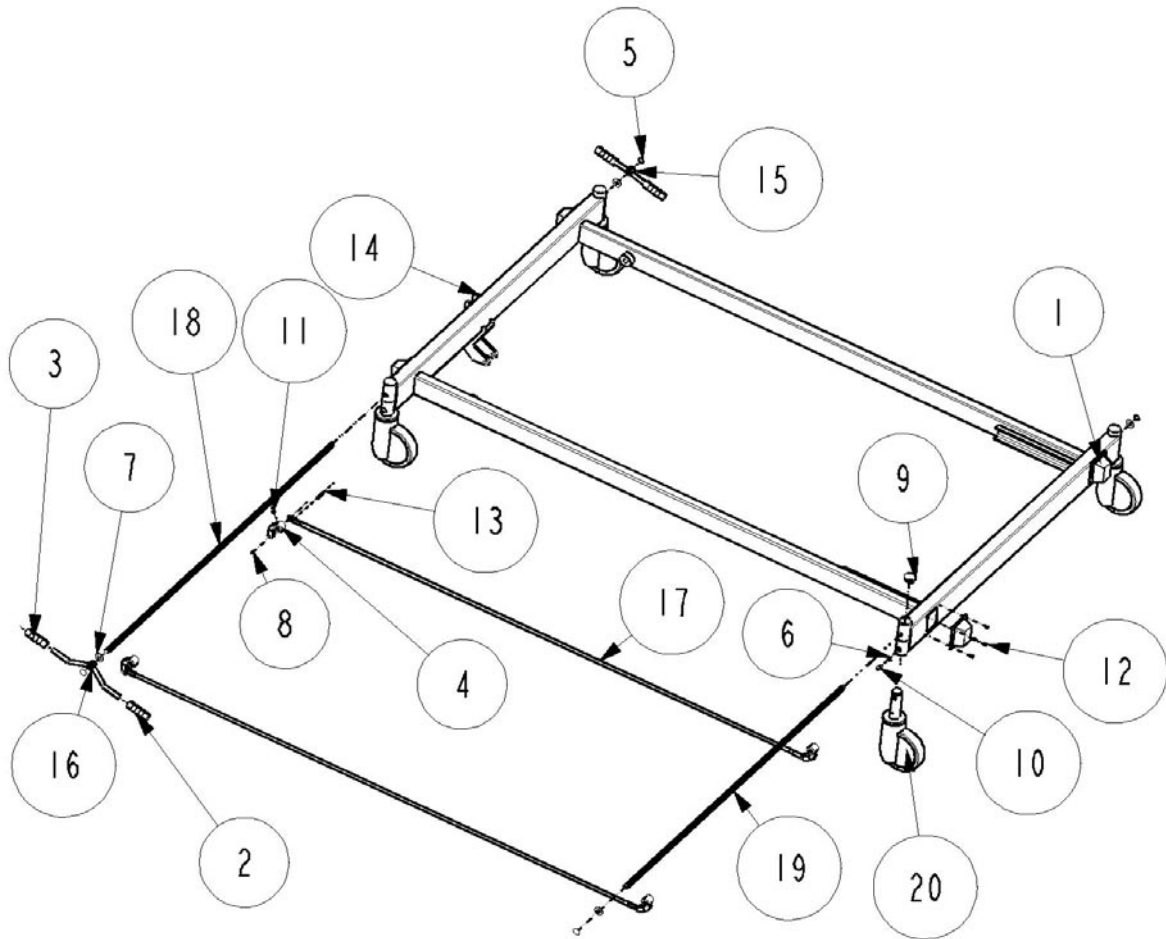


Illustration: 1446359

Assembled of shear

Page 1 of 2

Marts 2005

Pos.	Psc.	Ident. no.:	Decription
1	4	319155-XXXX	Slide shoe
2	1	320591-XXXX	Actuator
3	4	409645	Bearing bush
4	4	420154	Bush
5	6	810829	Screw ISO4014, M12X75
6	1	816427	Spring pin, Ø2
7	1	819439	Pipe pin, Ø10.0 x 60
8	1	821204	Clevis pin
9	3	1425730	Washer, DIN125A-10
10	6	1428835	Washer, DIN125A-12
11	1	1444017-XXXX	Outer shear arm
12	1	1444018-XXXX	Inner shear arm
13	6	1446493	Bush
14	8	1449562-XXXX	Ferrule, inside, 60X30
15	4	1449580-XXXX	Ferrule, inside, Ø25

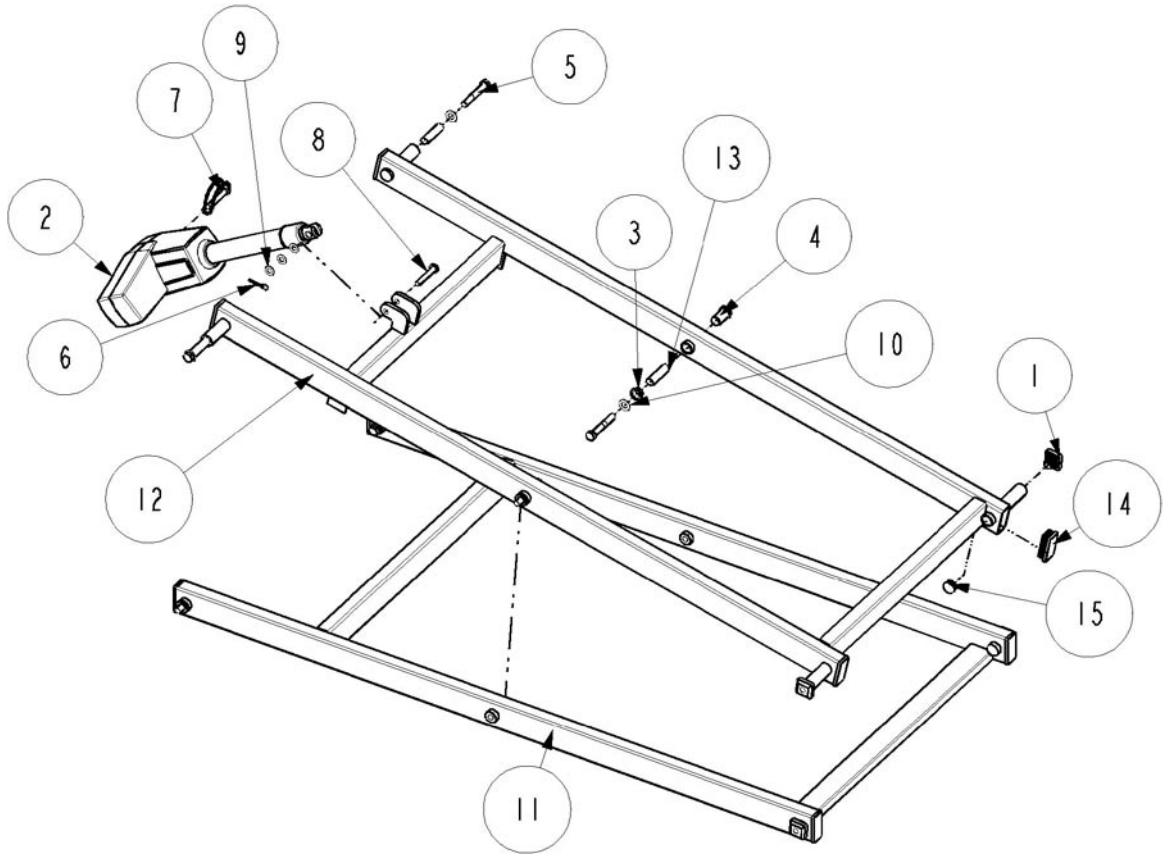


Illustration: 1451670

Top frame, assembled

Page 1 of 2

Marts 2005

Pos.	Pcs.	Ident. no.:	Description
1	9	408348	Tubular rivet
2	2	409645	Bearing bushing
3	2	420154	Bushing
4	2	804410	Ferrule, inside, Black, 50X30
5	6	819411	Pipe pin, Ø10X50
6	1	1417517	Powercable
7	2	1423903	Actuator
8	1	1423908	Actuator
9	1	1446463-XXXX	Top frame
10	1	1446478-XXXX	Back support
11	1	1446479-XXXX	Thigh section
12	1	1446480-XXXX	Leg support
13	1	1449338	Hand control, HB75
14	1	1449356	Control unit
15	16	1451427-XXXX	Ferrule, inside, Black, 30X30

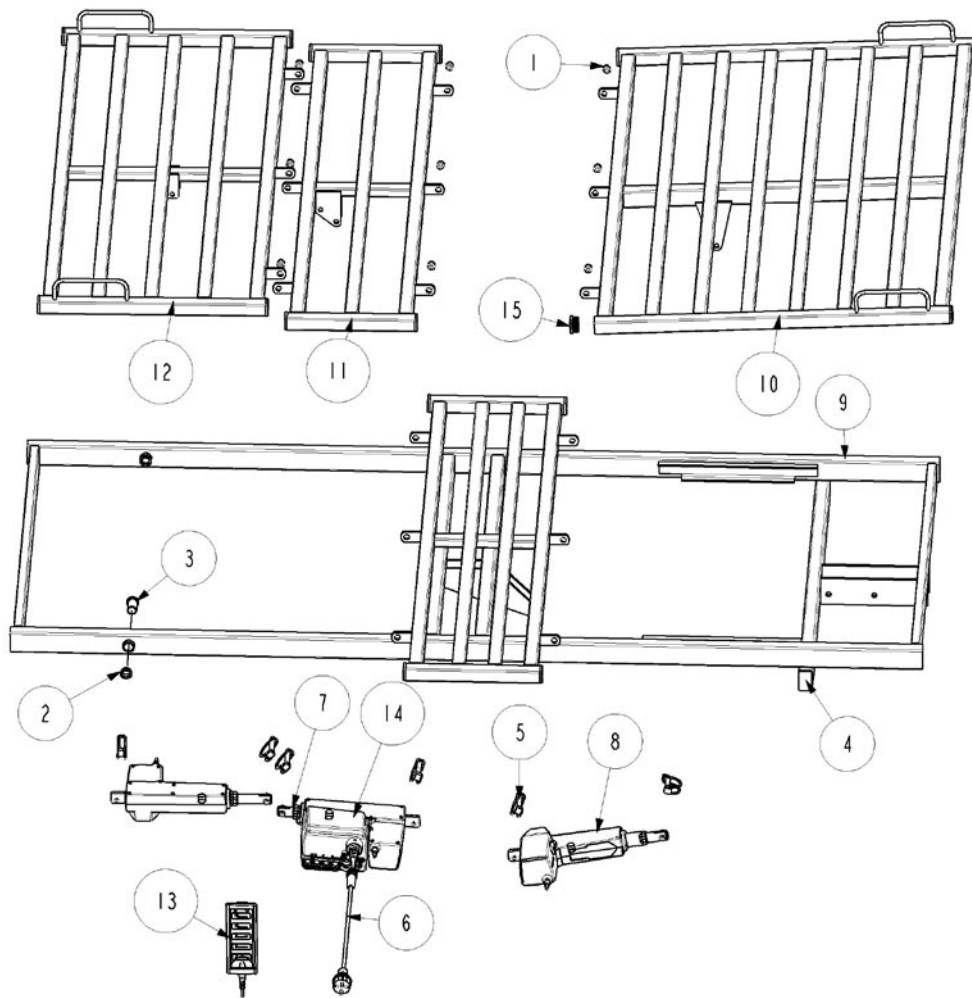


Illustration: I446360

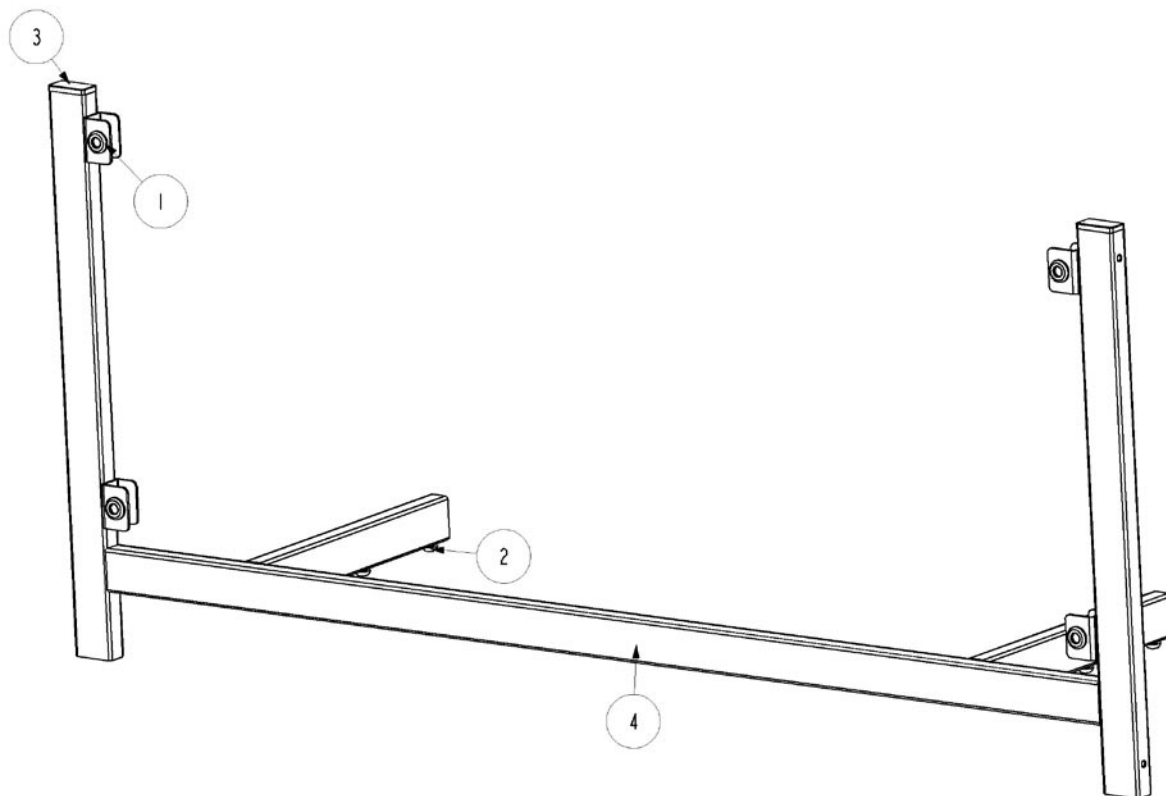
Fittings

Page 1 of 2

Ident. no.: 1449351

Marts 2005

Pos.	Psc.	Ident. no.:	Deception
1	4	417008	Rubber bumper
2	4	812875	Screw, M8X12
3	2	1446494-XXXX	Ferrule, inside, Black, 40X20
4	1	1450282-XXXX	Fittings



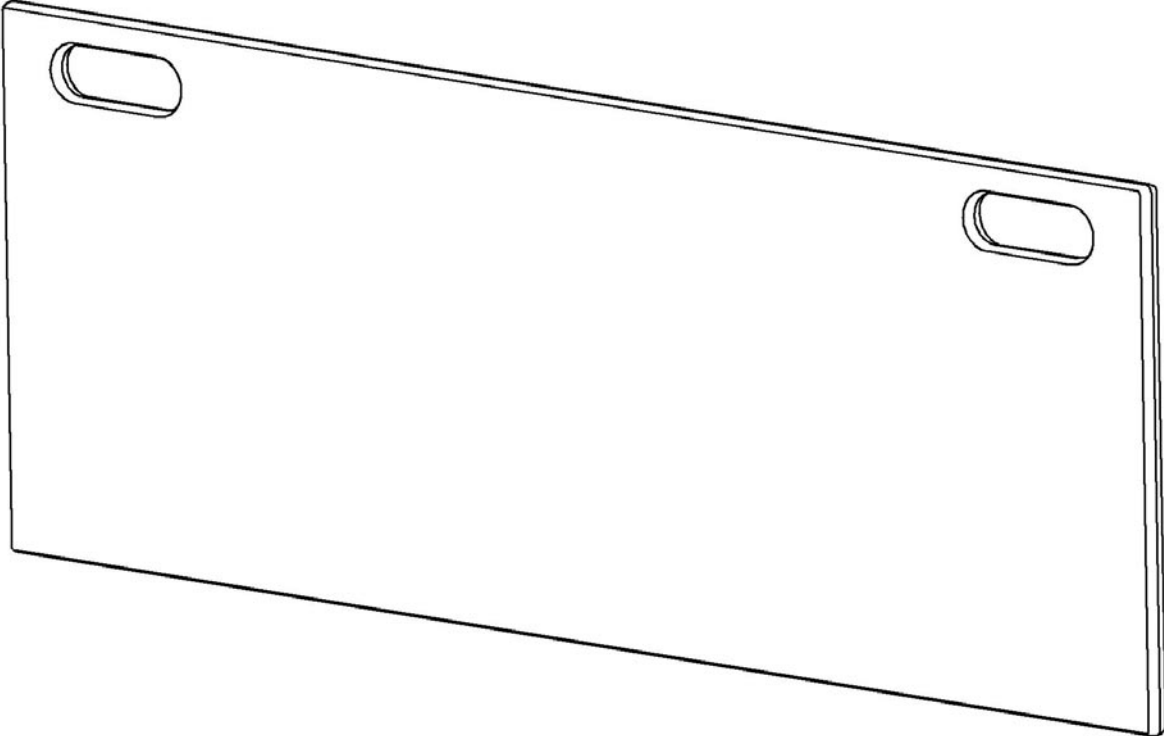
Wooden bedend, Irene

Page 1 of 2

Ident. no.: 1451205-XXXX

Marts 2005

<i>Pos.</i>	<i>Psc.</i>	<i>Ident. no.:</i>	<i>Decription</i>
I	I	1451205-XXXX	Wooden bedend



Wooden siderail BRITT IV

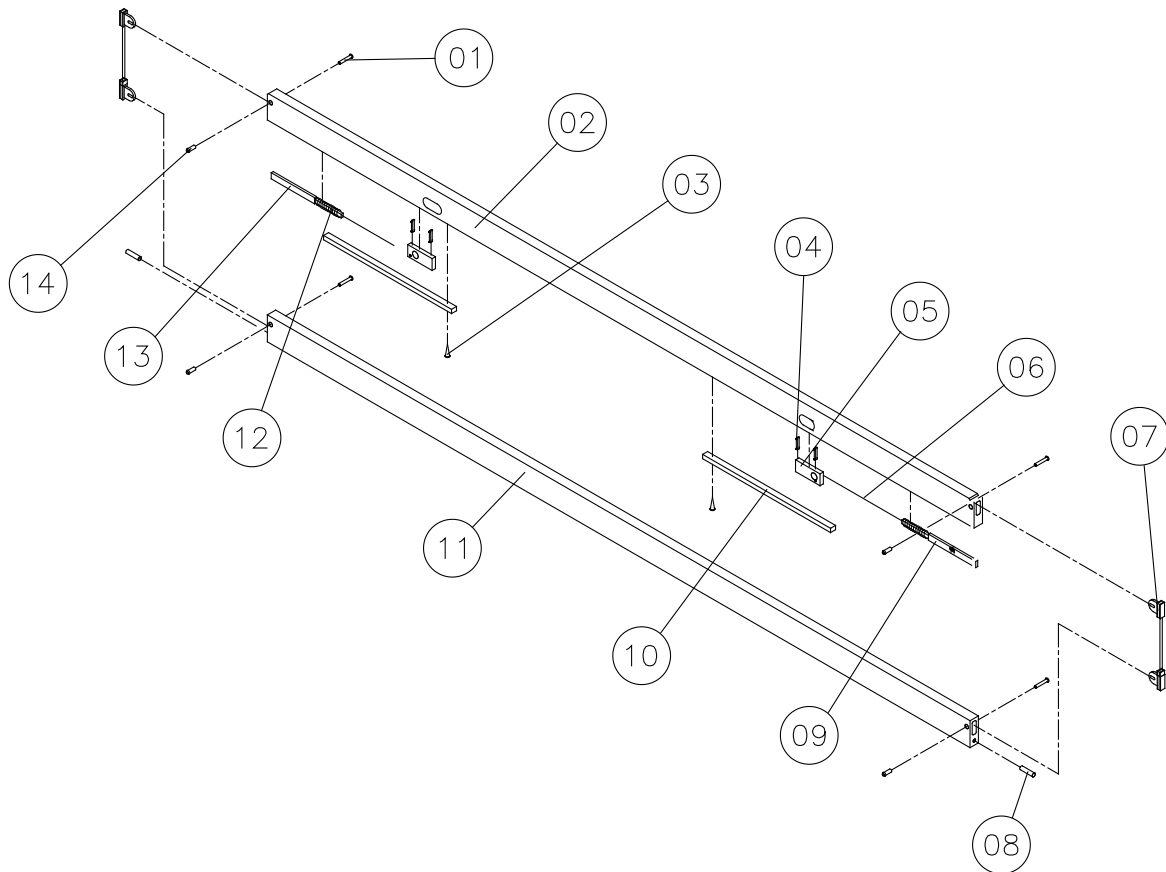
Page 1 of 2

Ident. no.: 1427875

Wooden siderail BRITT IV for 200 cm mattress support: 1427875.XXXX

Marts 2005

Pos.	Psc.	Exchange kit no.: 020024	Complete	Description
1	8	X	X	Furniture screw, female
2	2		X	Wooden siderail, upper with beech list
3	4	X	X	Chip board screw, Ø3X20
4	8	X	X	Inlay for release handle
5	8	X	X	Inlay
6	4	X	X	Wire
7	4	X	X	Slide device
8	4		X	Pin
9	4	X	X	Ratchet, right
10			X	Beech list incl. in wooden siderail pos. 2
11	1	X	X	Wooden siderail, lower
12	4	X	X	Spring
13	4	X	X	Ratchet, left
14	8	X	X	Furniture screw, male



Wooden adapter, Pia, right

Page 1 of 2

Ident. no.: 1451206.XXXX

Marts 2005

Pos.	Psc.	Ident. no.:	Decription
1	1	419677	End stop
2	2	812847	Screw, SPAX 2,5X10
3	1	812887	Buffer
4	1	1446219	Adjusting screw, M6X30
5	2	1446501	Furniture screw, M6X70
6	1	1451208-XXXX	Wooden adapter, right
7	1	1451438	Slide bar

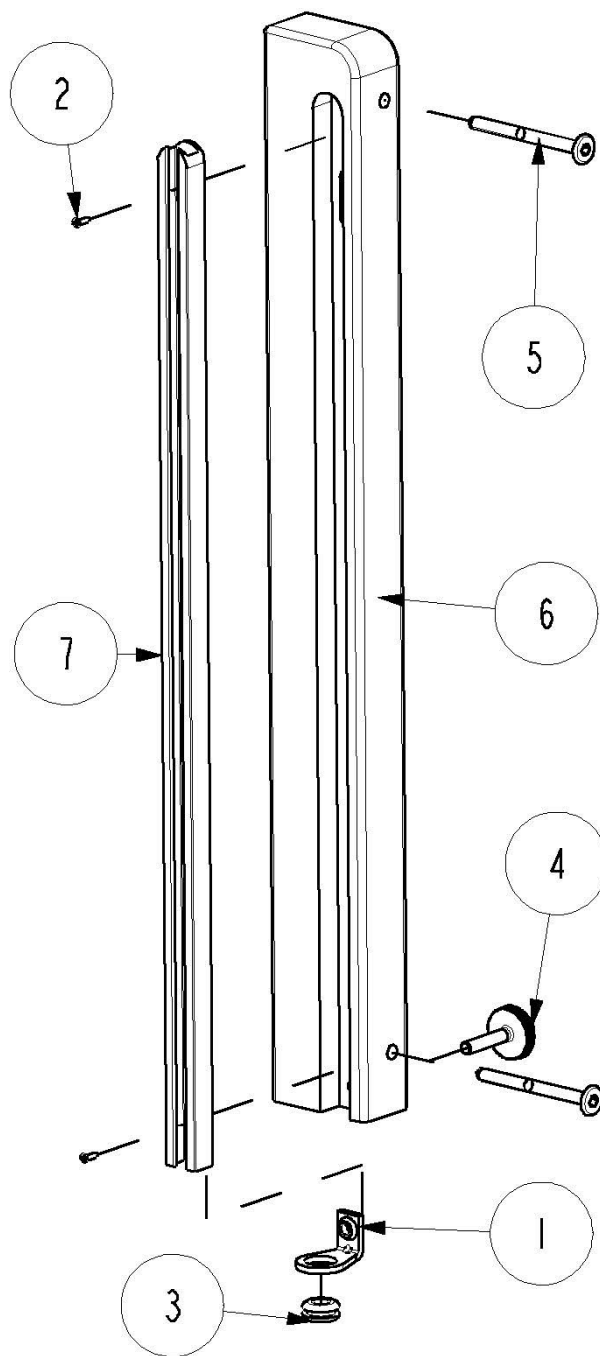


Illustration: I450963

Wooden adapter, Pia, left

Page 1 of 2

Ident. no.: 1451207.XXXX

Marts 2005

Pos.	Psc.	Ident. no.:	Decription
1	1	419677	End stop
2	2	812847	Screw, SPAX 2,5X10
3	1	812887	Buffer
4	1	1446219	Adjusting screw, M6X30
5	2	1446501	Furniture screw, M6X70
6	1	1451209-XXXX	Wooden adapter, left
7	1	1451438	Slide bar

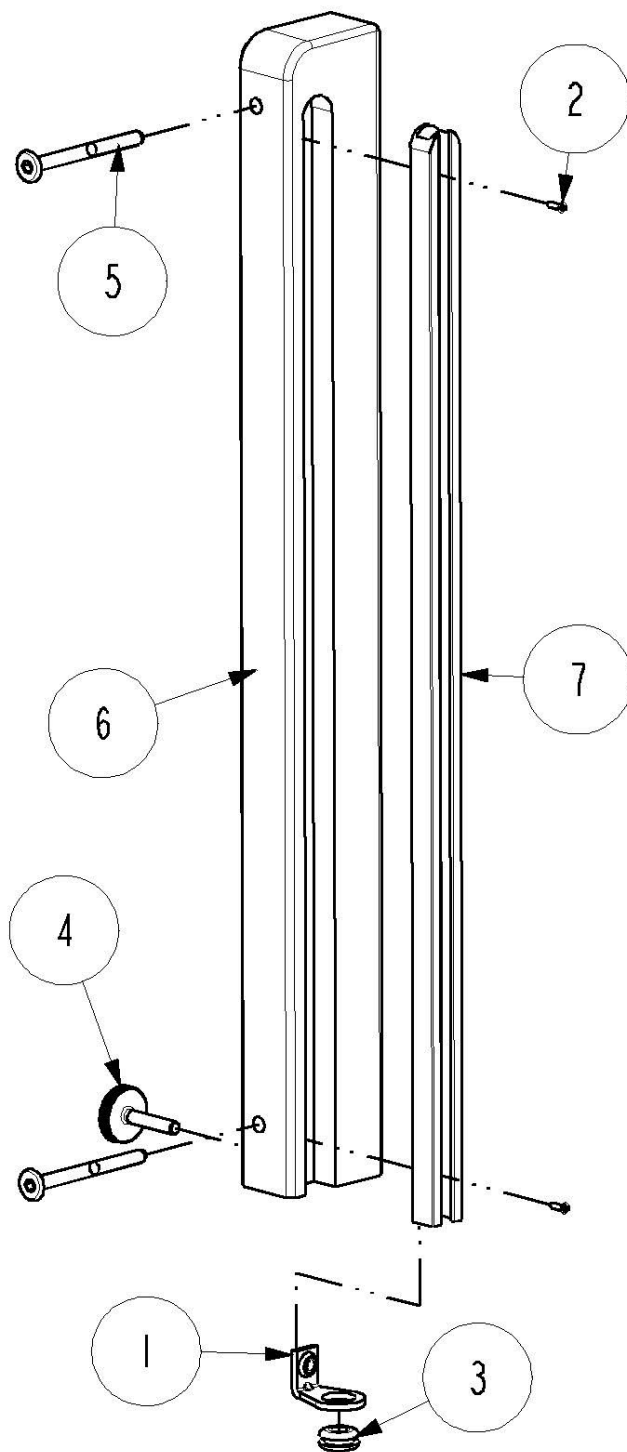


Illustration: I450962

Lifting pole

Page 1 of 2

Ident. no.: 50.57700.XX

Marts 2005

Pos.	Psc.	Ident. no.:	Decription
1	1	317836	Plug for lifting pole, Ø45
2	1	320597	Lifting pole handle with string
3	2	802723	Screw, ISO4014, M10X75
4	2	806651	Nut, DIN0985, M10
5	1	1449357-XXXX	Lifting pole

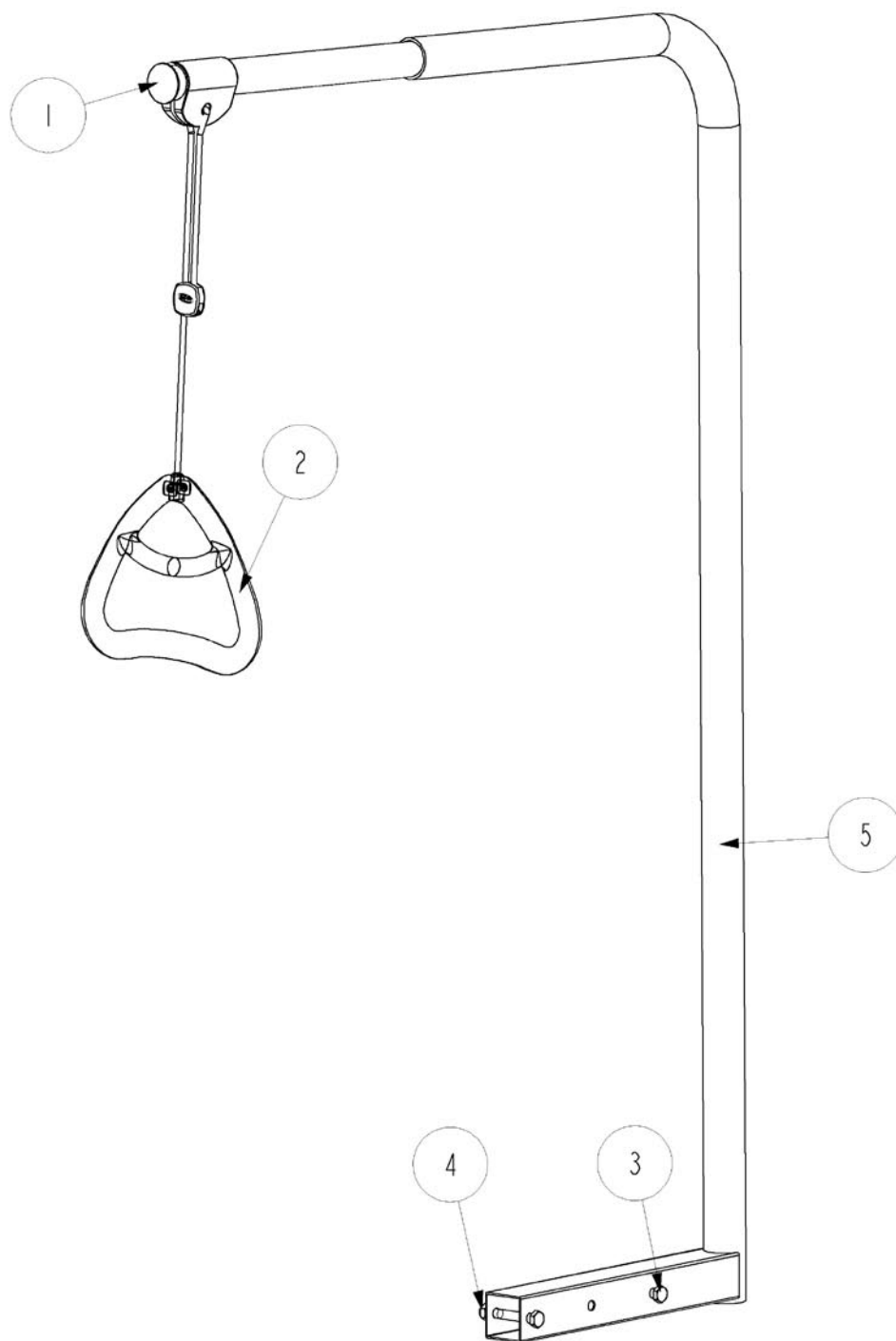


Illustration: I449536

Support

Ident. no.: 1446353-XXXX

Page 1 of 2

Marts 2005

Pos.	Antal	Ident. no.:	Decription
1	2	421468	Cylinder nut
2	2	803803	Rivet DIN7337, 3,2X07
3	2	1427660	Fingerscrew, M6X55
4	1	1450087-XXXX	Support
5	2	1484401	Plast insert with hole
6	2	1484402	Spacer

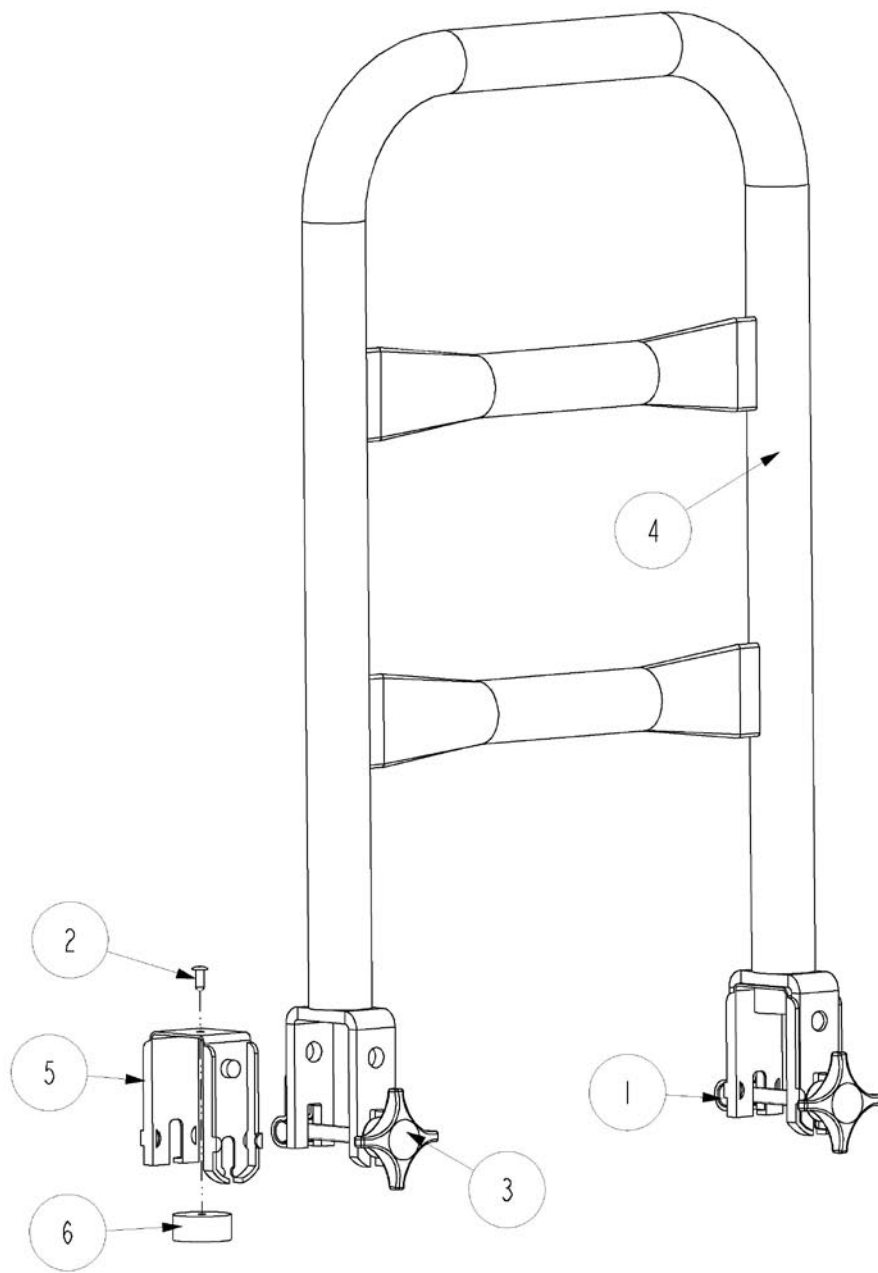


Illustration: I446227

Mattress support extension, for head- or leg section with 10 cm Page 1 of 2
Ident. no.: 1446498-XXXX

Marts 2005

<i>Pos.</i>	<i>Psc.</i>	<i>Ident. no.:</i>	<i>Description</i>
1	4	812875	Screw, ISO7380, M8X12
2	2	819450	Ferrule, inside, Black, 20X20
3	1	1450286-XXXX	Mattress support extension

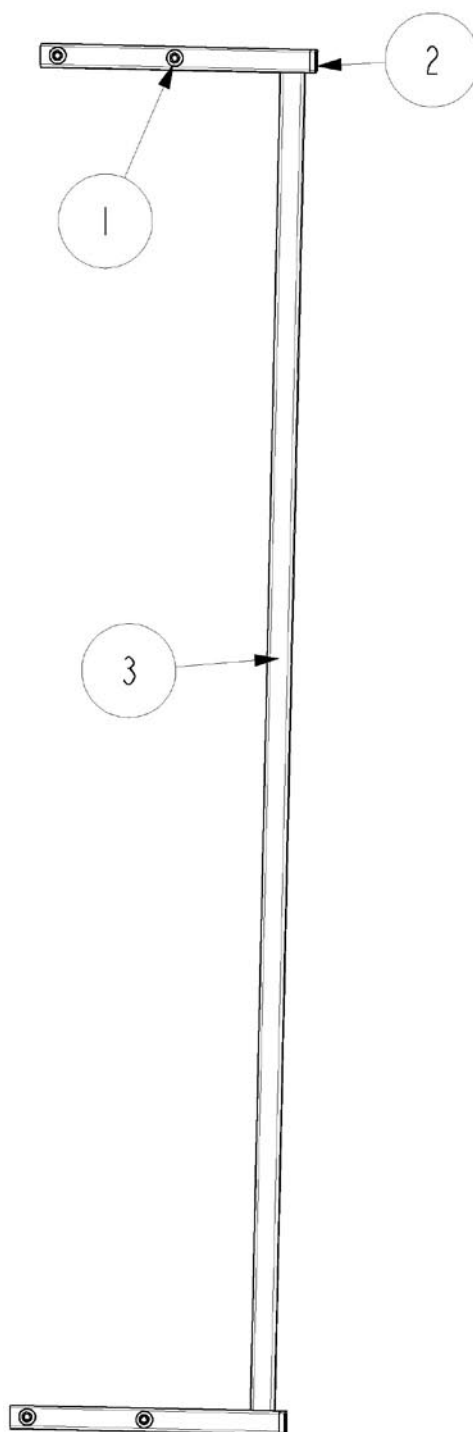


Illustration: I449533

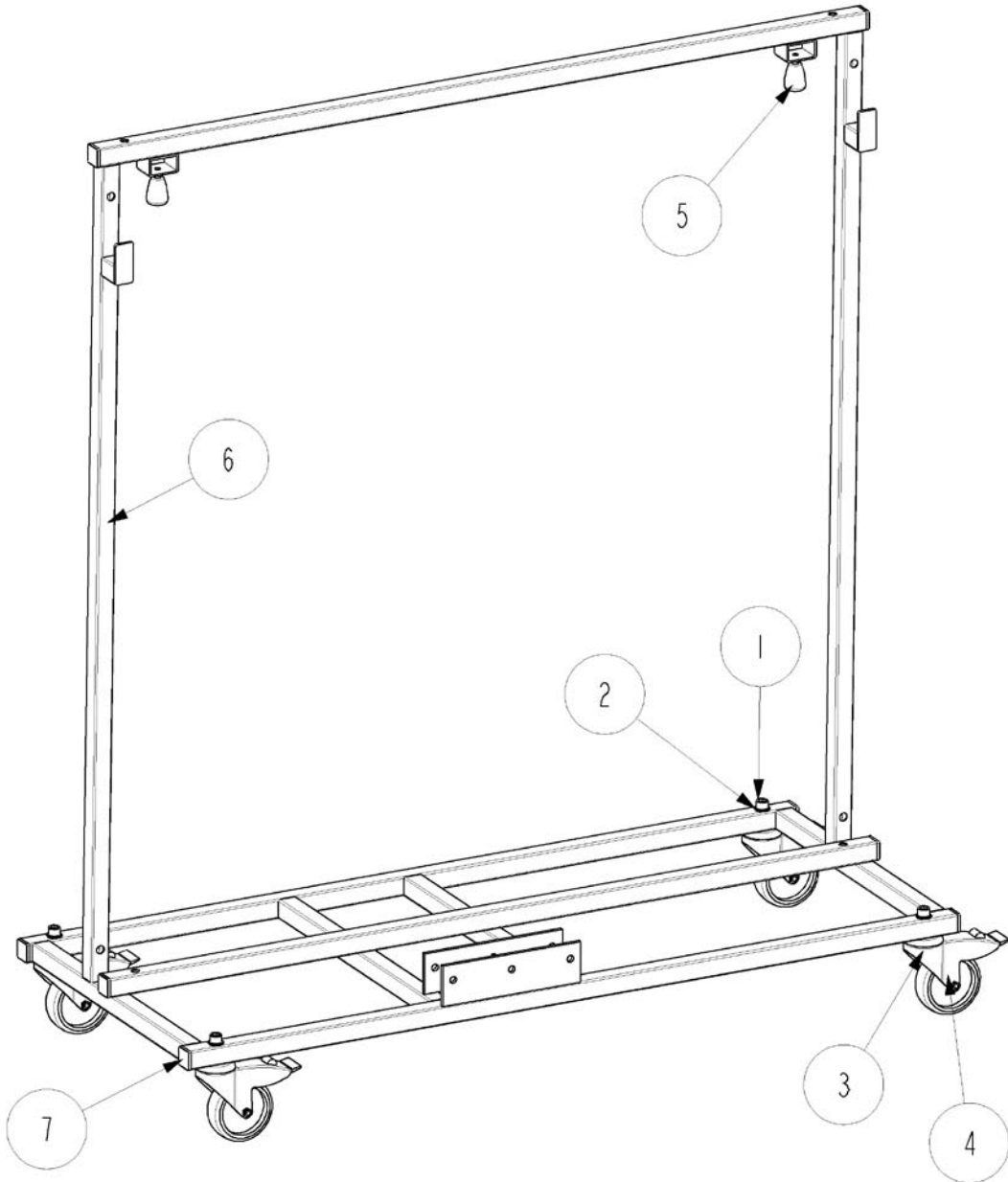
Trolley

Page 1 of 2

Ident. no.: 1478730-XXXX

Marts 2005

Pos.	Psc.	Ident. no.:	Decription
1	4	803070	Screw, DIN912, M12X50
2	4	803273	Washer, DIN125B, M12
3	4	804481	Nut, DIN0985, M12
4	4	818383	Wheel
5	2	1435325-XXXX	Handle
6	1	1450865-XXXX	Trolley
7	8	1451427-XXXX	Ferrule, inside, Black, 30X30





Customer Sales and Service

Denmark

INVACARE A/S

Sdr. Ringvej 39
DK-2605 Brøndby
Phone: +45 36 90 00 00
Fax: +45 36 90 00 01
www.invacare.dk
denmark@invacare.com

Sweden & Finland

INVACARE AB

Fagerstagatan 9 / Box 66
S-163 91 Spånga
Phone: +46 8 761 70 90
Fax: +46 8 761 81 08
www.invacare.se
sweden@invacare.com

Norway & Iceland

INVACARE AS

Grensesvingen 9
Postbox 6230 Etterstad
N-0603 Oslo
Phone: +47 22 57 95 00
Fax: +47 22 57 95 01
www.invacare.no
norway@invacare.com

Spain

INVACARE S.A.

C/Areny s/n
Poligon Industrial de Celrà
E-17460 Celrà (Girona)
Phone: +34 972 49 32 00
Fax: +34 972 49 32 20
www.invacare.es
contactsp@invacare.com

Invacare® EC-Høng A/S
Ident. no.: 1451623
Version 01 03. 2005

Belgium & Luxemburg

INVACARE N.V.

Autobaan 14
B-8210 Loppem, Brügge
Phone: +32 50 83 10 10
Fax: +32 50 83 10 11
www.invacare.be
belgium@invacare.com

Nederland

INVACARE B.V.

Celsiusstraat 46
NL-6716 BZ Ede
Phone: +31 318 695 757
Fax: +31 318 695 758
www.invacare.nl
mobility@invacare.com

Germany

Aquatec GmbH

Alemannenstrasse 10
88316 Isny
Phone: +49 (0) 75 62 700 0
Fax: +49 (0) 75 62 700 66
www.aquatec.de
info@aquatec.de

Portugal

INVACARE Lda

Rua Senhora de Campanhã 105
4369-001 Porto
Phone: +351 225 1059 46/47
Fax: +351 225 1057 39
portugal@invacare.com

Australia

INVACARE Australia Pty Ltd

1 Lenton Place
North Rocks
NSW 2151
Phone: +61 2 8839 5333
Fax: +61 2 8839 5353
www.invacare.com.au
sales@invacare.com.au

France

INVACARE Poirier S.A.S

Route de St Roch
F-37230 Fondettes
Phone: +33 2 47 62 64 66
Fax: +33 2 47 42 12 24
www.invacare.fr
contactfr@invacare.com

Italy

INVACARE MECC SAN S.R.L.

Via dei Pini 62
I-36016 Thiene (VI)
Phone: +39 0445 38 00 59
Fax: +39 0445 38 00 34
www.invacare.it
italia@invacare.com

United Kingdom & Ireland

INVACARE LTD

South Road
Bridgend Industrial Estate
UK-Bridgend, CF31 3PY
Phone: +44 1 656 664 321
Fax: +44 1 656 667 532
www.invacare.co.uk
uk@invacare.com

New Zealand

INVACARE NZ

4 Westfield Place,
Mt. Wellington
Auckland
Phone: +64 9 917 3939
Fax: +64 9 917 3957
www.invacare.co.nz
sales@invacare.co.nz

Hatfield
2/122 Taradale Road
Napier
Phone: +64 6 843 3119
Fax: +64 6 843 3445
sales@hatfield.co.nz

Manufacturer:



QUALITY SYSTEM
DS/EN ISO 9001
DS/EN ISO 13485

INVACARE EC-Høng A/S

Østergade 3
DK-4270 Høng
www.invacarebeds.dk