

# *Spare Parts Catalogue*

---

Version: 2015/06/18d EN



*Invacare<sup>®</sup> Medley Ergo*



**Yes, you can.<sup>®</sup>**

## **General Information**

*For any order of spare parts the following information is required:*

- Product type*
- Product name & model*
- Serial Number*
- Part-Number*
- Part-Description*

*Exploded view drawings and code numbers are not contractual and subject to modification, in relation to Invacare<sup>®</sup> continuous product improvement policy to meet end users needs.*

*The reproduction or use of this work, or of any substantial part of this work, in any form or by any electronic, mechanical or other means, including photocopying, scanning and recording, and in any information storage and retrieval system, including electronic transmission, is forbidden without the prior written permission of Invacare<sup>®</sup> International Sarl.*



**Yes, you can.<sup>®</sup>**

## **TABLE OF CONTENTS**

---

### **Matress**

Matress Deck - Wood .....	5
Matress Deck - Steel .....	6

### **Bed End for lifting**

Bed End - Low .....	7
Bed End - Standard .....	8

### **Bed electrical parts**

Bed End - Actuator .....	9
Thigh Actuator .....	10
230 Volt Control Box / Actuator Head .....	11
24 Volt Control Box / Actuator Head .....	12
Hand Controls .....	13

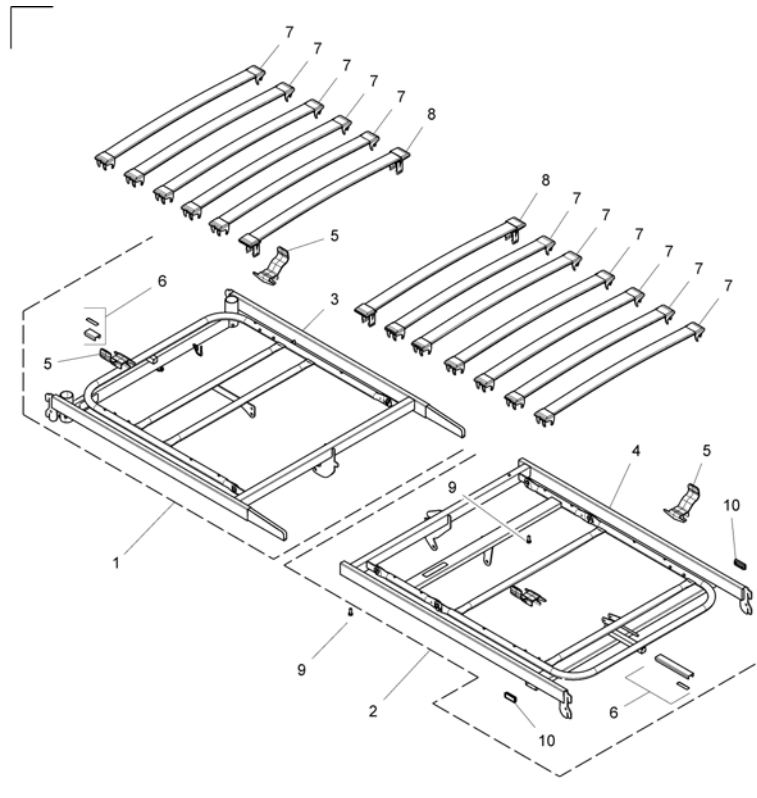
### **Side rails**

Side rails .....	14
------------------	----

### **Bed accessories**

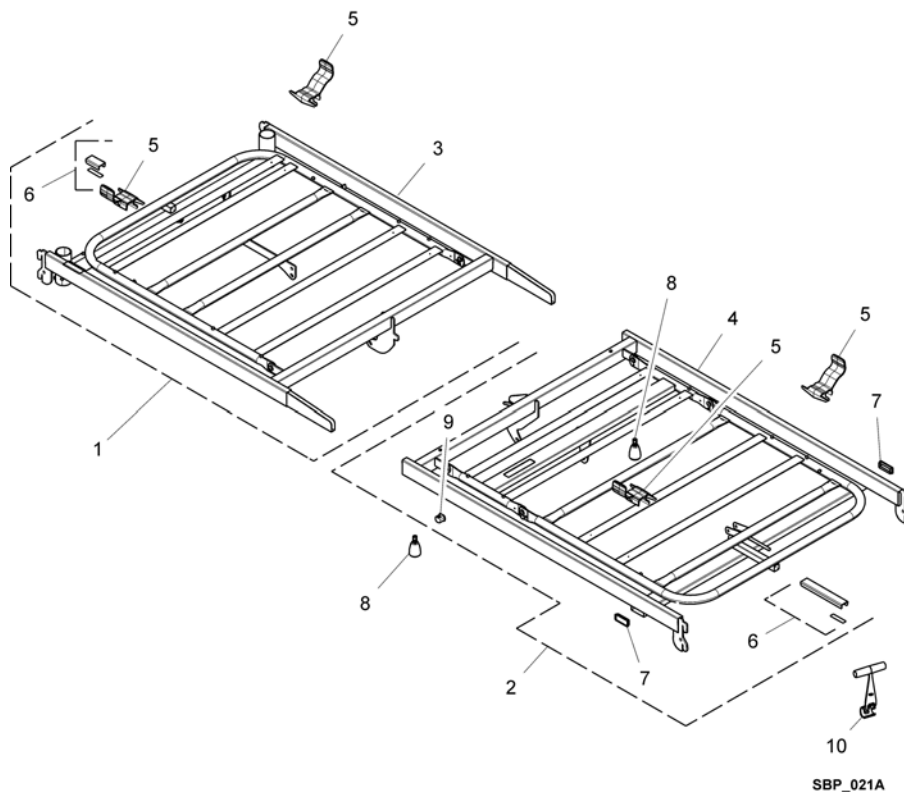
Bed End Cover - Medley Select .....	15
Transport Brackets .....	16
Rastofix .....	17
Equipotentiality .....	18





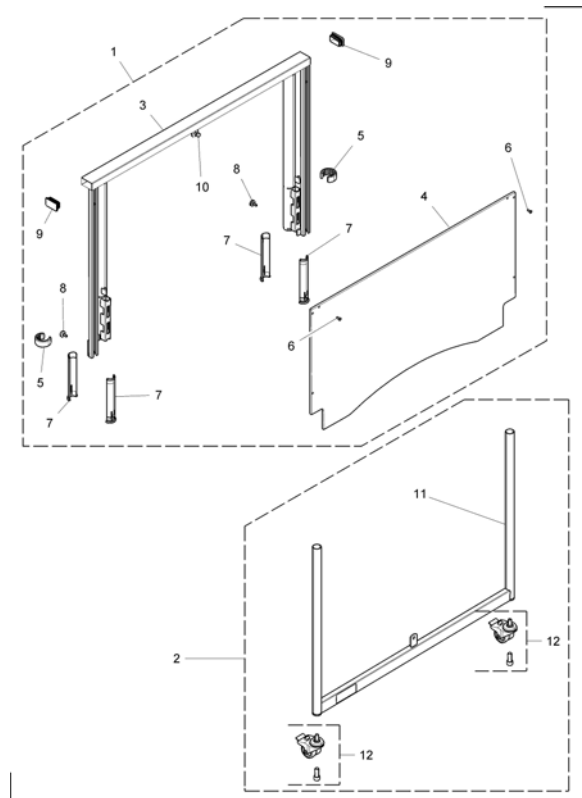
Pos.	Part number	Description	Valid from → until	Qty
1	SP1177541	Head Frame Kit (wood) <i>Includes items 3, 5, and 6, also includes Side Rail Label which is not shown in the illustration</i>		1
2	SP1177542	Foot Frame Kit (wood) <i>Includes items 4, 5, and 6, also includes Adhesive Tape and Side Rail Label which are not shown in illustration.</i>		1
5	SP1423980	Handle for mattress Alegio		4
6	SP1177543	U Channel Wear Strip Kit <i>Includes U Border Strip and Adhesive Tape.</i>		1
8	SP1563581	Wood Slat Kit <i>Not Shown, Includes (2) Wood Slats.</i>		1
8	SP1563582	Slat End Cap Kit <i>Not Shown, Includes (4) Wood Slat End Caps.</i>		1
8	SP1563583	Slat End Cap Kit Seat <i>Not Shown, Includes (4) Wood Seat Slat End Caps.</i>		1
7	SP1177544	Wood Slat And End Cap Kit <i>Includes (2) End Caps and Wood Slat.</i>		11
8	SP1177545	Wood Slat And End Cap Seat Kit <i>Includes (2) End Caps and Wood Slat.</i>		2
9	SP1561873	M8 x 13 Finger Screw Kit		2

# Matress Deck - Steel



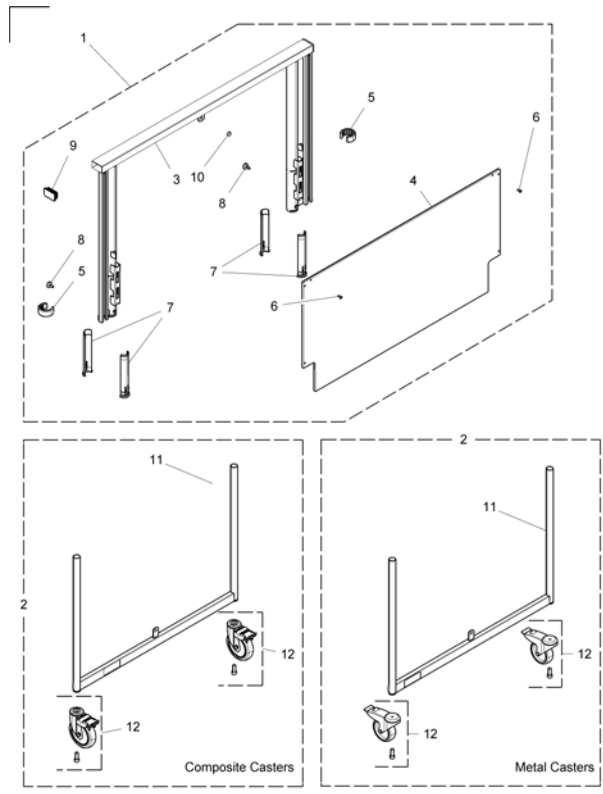
Pos.	Part number	Description	Valid from → until	Qty
1	SP1177540	Head Frame Kit (steel) <i>Includes items 3, 5, and 6, also includes Side Rail Label which is not shown in the illustration.</i>		1
2	SP1177339	Foot Frame Kit (steel) <i>Includes items 4,5,6,7 and 9, also includes adhesive tape, Port Plug, and Side Rail Label which are not shown in the illustration.</i>		1
5	SP1423980	Handle for mattress Alegio		4
6	SP1177543	U Channel Wear Strip Kit <i>Includes U Border Strip, Master Bracket, and (2) Adhesive Tape.</i>		1
8	SP1561873	M8 x 13 Finger Screw Kit		2
10	SP217996-7042	Matress Handle, RAL 7042		1

## Bed End - Low



Pos.	Part number	Description	Valid from → until	Qty
1	SP1177351	Upper Bed End Kit Low <i>Includes items 3 - 10</i>		2
2	SP1177353	Lower Bed End Kit Low <i>Includes items 11 - 12.</i>		2
4	SP1537305	Plate Bed end, Medley Low		2
5	SP1177546	Lock Ring Kit		1
6	SP818305	Rivet 4,8x16mm		2
7	SP1563579	Top Liner Kit <i>Includes (4) Top Liners</i>		4
9	SP1563580	Plug Button Kit <i>Includes (2) Plug Buttons</i>		2
8	SP1177547	Adjusting Finger Screw Kit <i>Includes (4) Finger Adjusting Screws.</i>		1
12	SP1177548	Caster Asm 50mm <i>Includes Caster and Screw</i>		4

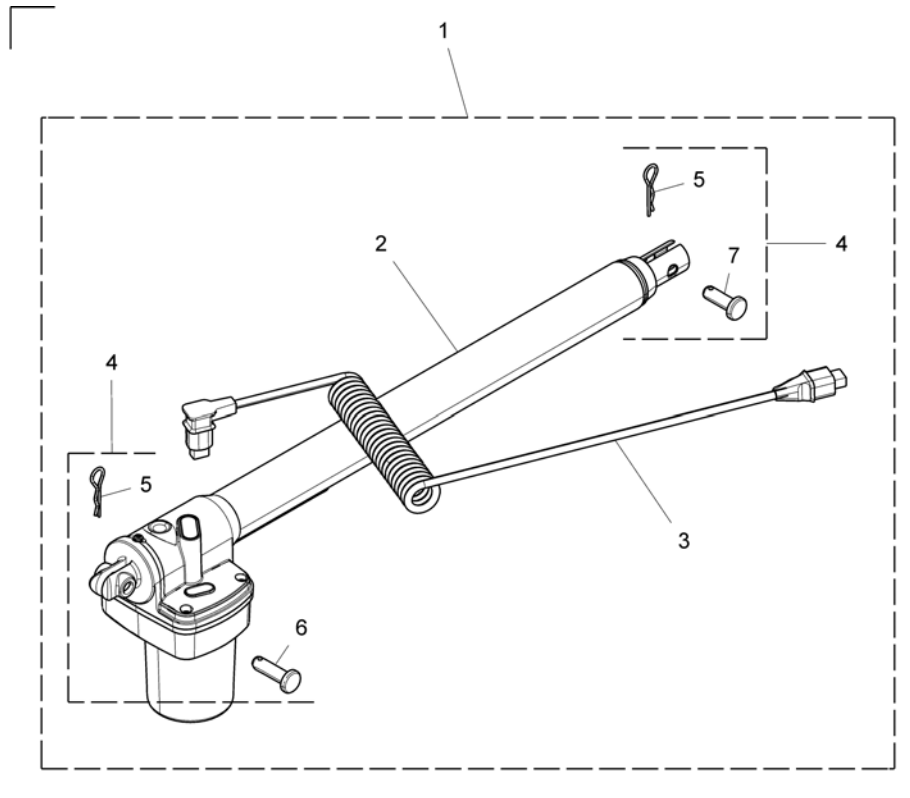
## Bed End - Standard



Pos.	Part number	Description	Valid from → until	Qty
1	SP1177350	Upper Bed End Kit Std <i>Includes items 3 - 10</i>		2
2	SP1177352	Lower Bed End Kit Metal <i>Includes items 11 - 12</i>		2
2	SP1177354	Lower Bed End Kit Composite		2
4	SP1177447	Plate Bed end, Medley		2
5	SP1177546	Lock Ring Kit		1
6	SP818305	Rivet 4,8x16mm		2
7	SP1563579	Top Liner Kit <i>Includes (4) Top Liners</i>		4
9	SP1563580	Plug Button Kit <i>Includes (2) Plug Buttons</i>		2
8	SP1177547	Adjusting Finger Screw Kit <i>Includes (4) Finger Adjusting Screws</i>		1
12	SP1552392	Caster Kit 100mm Metal <i>Includes Caster and Screw</i>		1
12	SP1554588	Caster Kit 100mm Composite <i>Includes Caster and Screw</i>		1

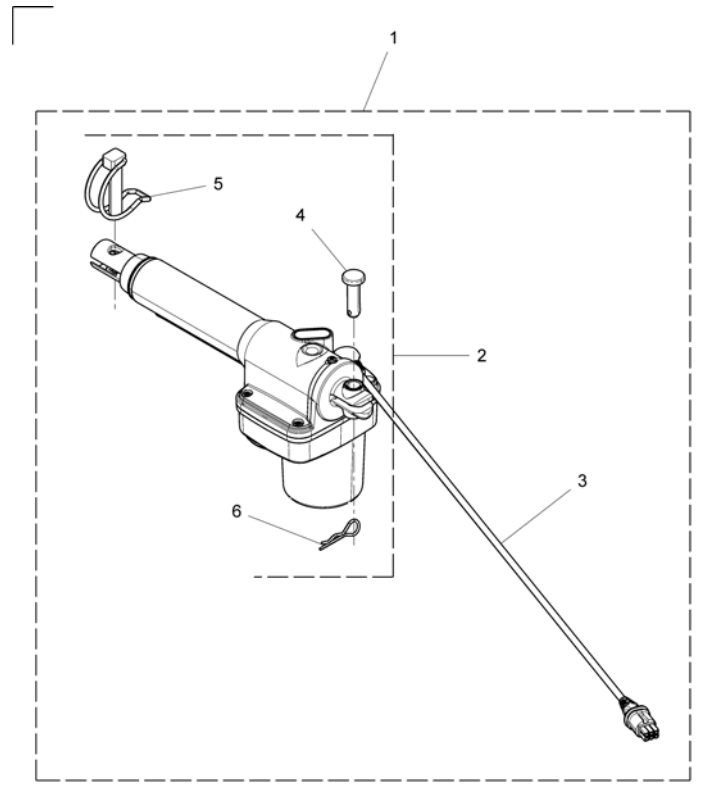


## Bed End - Actuator



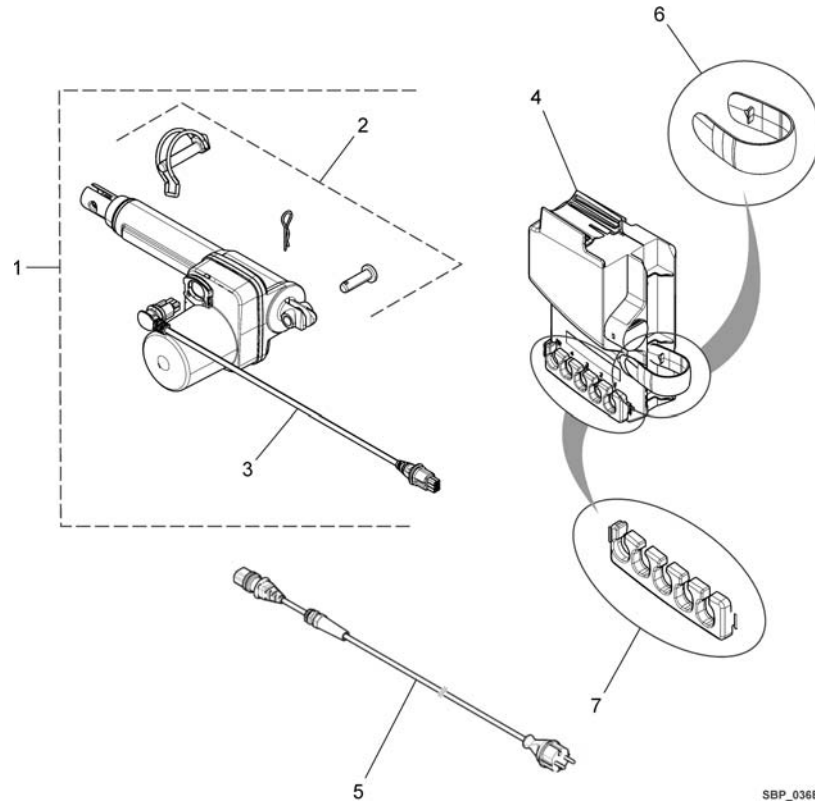
Pos.	Part number	Description	Valid from → until	Qty
1	SP1177329	Bedend Actuator Kit w/Hdw <i>Includes items 2 - 7.</i>		2
3	SP1551453	Bedend Motor Cable		2
4	SP1177549	Bedend Actuator Hardware Kit <i>Includes items 5, 6, and 7</i>		2

# Thigh Actuator



Pos.	Part number	Description	Valid from → until	Qty
1	SP1557969	Thigh Actuator Kit w/Hdw <i>Includes items 2, 3, 4, 5, and 6</i>		1
2	SP1177550	Actuator Hardware Kit <i>Includes items 4, 5, and 6.</i>		1
3	SP1177402	Motor Cable 750mm		1

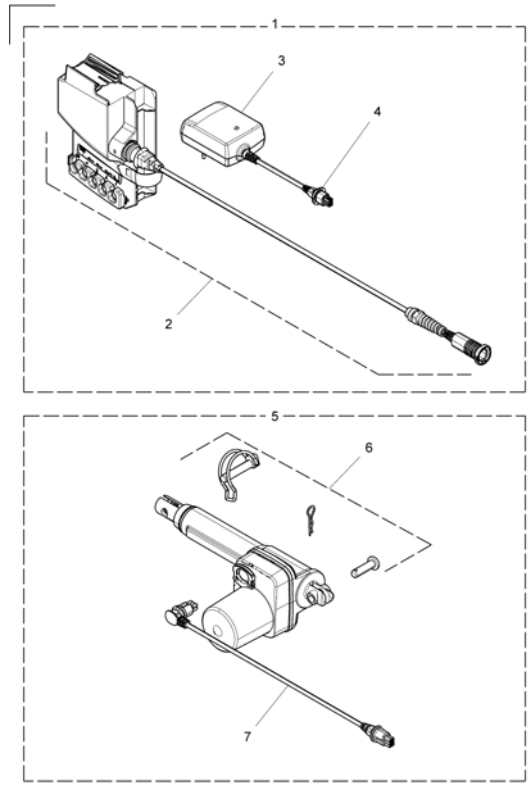
## 230 Volt Control Box / Actuator Head



SBP\_036B

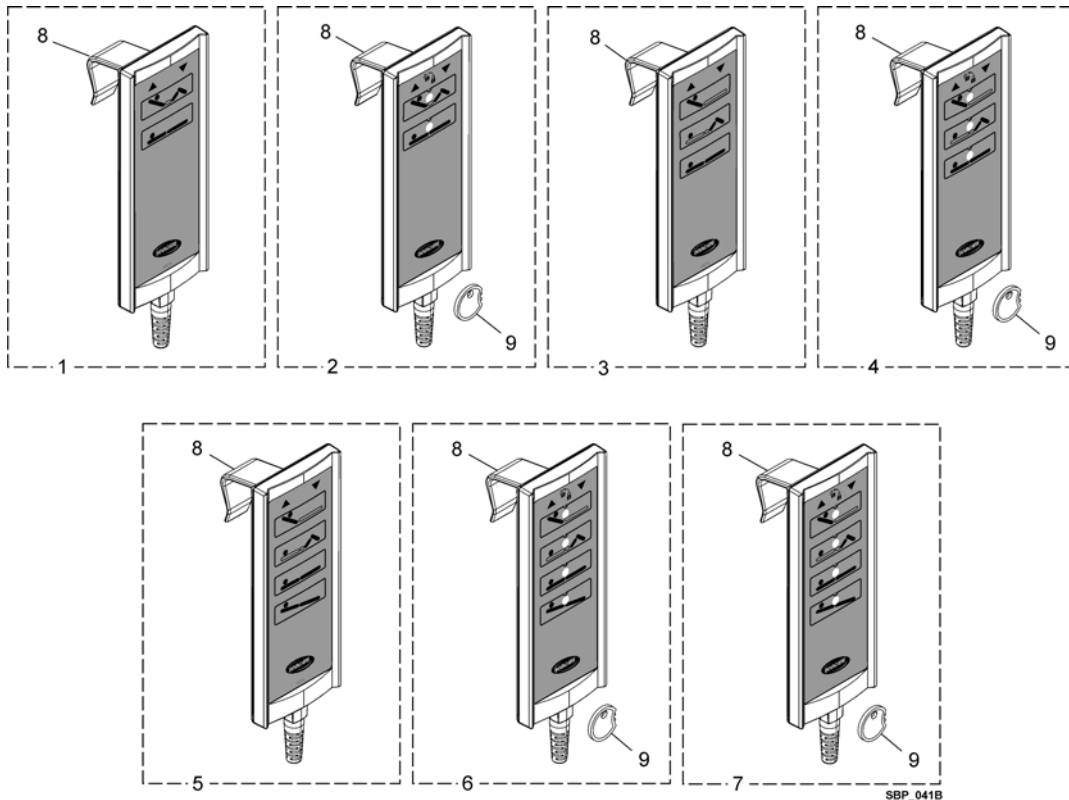
Pos.	Part number	Description	Valid from → until	Qty
1	SP1557968	Head Actuator Kit w/Hdw <i>Includes items 2 and 3</i>		1
2	SP1177550	Actuator Hardware Kit <i>Includes Spring Pin, Pin, and Retaining Pin</i>		1
3	SP1177403	Motor Cable 320mm		1
4	SP1177431	CB3 Control Unit Kit 230V		1
5	SP1417517	Mains cord, EU		1
5	SP1539737	UK Mains Cord		1
5	SP1518060	CH Mains Cord		1
5	SP1539738-7035	AUS Main Cord		1
6	SP1177242-7035	Control Box Retaining Clip		1
7	SP1177389-7035	Control Box Cable Lock Clip		1

## 24 Volt Control Box / Actuator Head



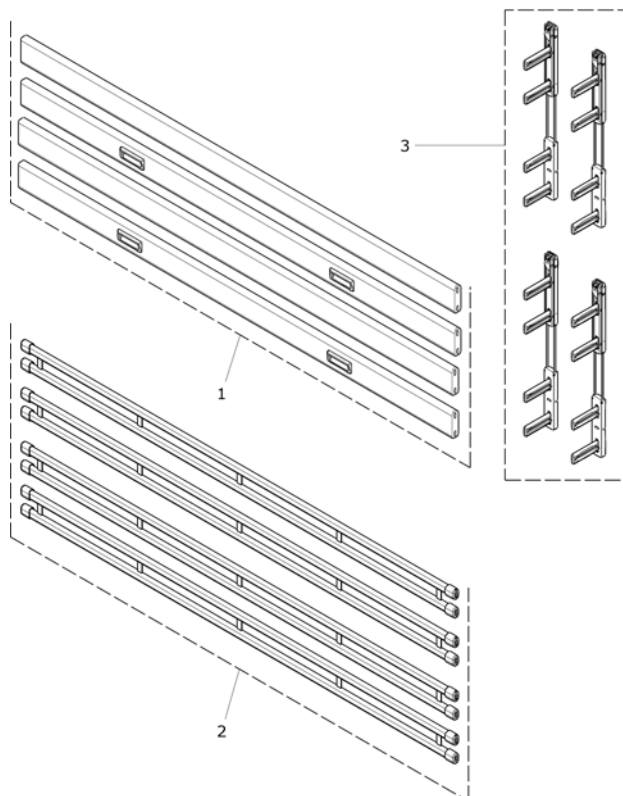
Pos.	Part number	Description	Valid from → until	Qty
1	SP1177552	CB3 Control Unit & Transformer Kit 24V <i>Includes items 2,3,4 and 5. Includes Transformer, Transformer Lock, and Controller Assembly.</i>		1
2	SP1177432	CB3 Control Unit Kit 24V		1
3	SP1177551	Wall Transformer w/cord & lock		1
6	SP1557968	Head Actuator Kit w/Hdw		1
7	SP1177550	Actuator Hardware Kit <i>Includes Straight Pin, Spring Pin, and Retaining Pin.</i>		1
8	SP1177403	Motor Cable 320mm		1

## Hand Controls



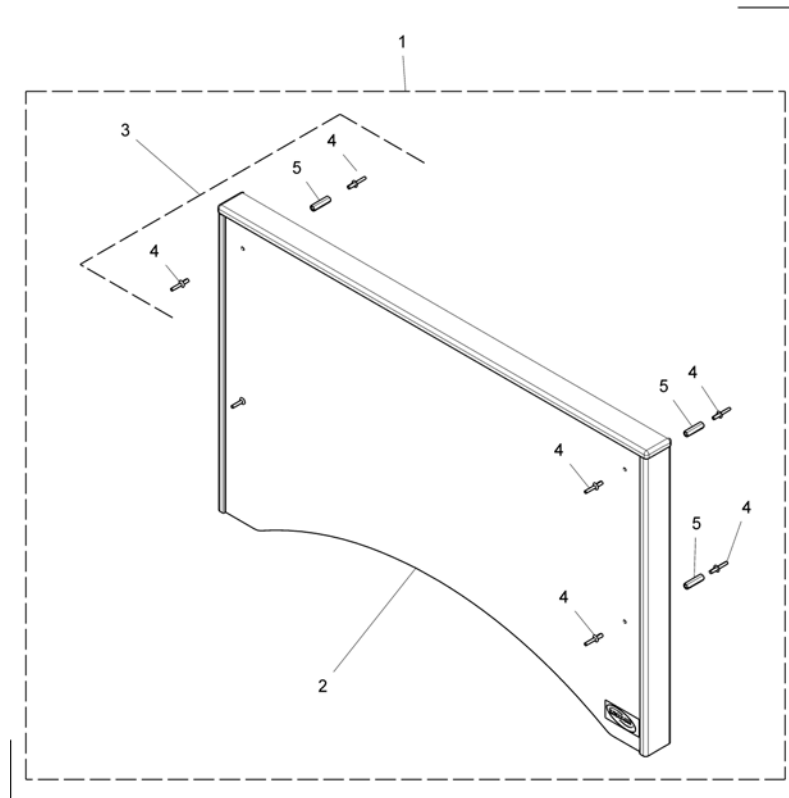
Pos.	Part number	Description	Valid from → until	Qty
1	SP1177361	HB72 Hand Control p/n 1177361		1
2	SP1177362	HL72 Hand Control p/n 1777362		1
3	SP1177363	HB73 Hand Control p/n 1177363		1
4	SP1177364	HL73 Hand Control p/n 1177364		1
5	SP1177365	HB74 Hand Control p/n 1177365		1
6	SP1177366	HL74 Hand Control p/n 1177366		1
7	SP1190921	HL74 Hand Control Anti TILT p/n 1190921		1
8	SP819487	Hand Control Suspension		1
9	SP1177553	Function Lockout Key Kit		1

## Side rails



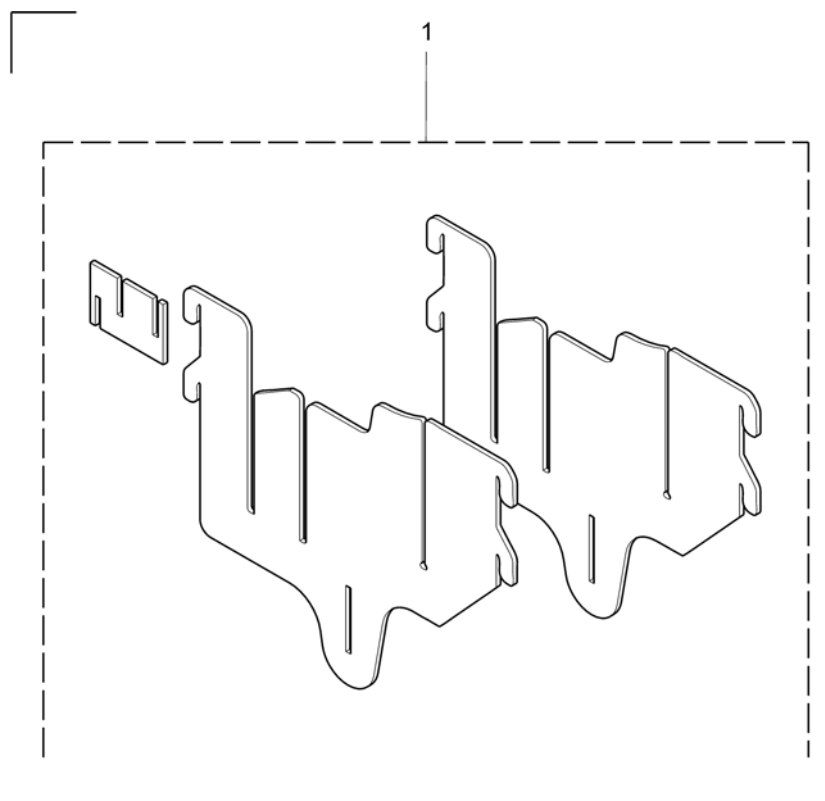
Pos.	Part number	Description	Valid from → until	Qty
1	1560435-0101	Bella Wood SideRail Kit		1
1	1560446-0101	Wood Side Rail Kit Extended		1
2	1560076-0152	Aria Steel SideRail Kit <i>Includes Cap and Side Rail</i>		1
3	SP1177461	Sliders, Side Rail (Two Pair)		2

## Bed End Cover - Medley Select



Pos.	Part number	Description	Valid from → until	Qty
1	SP1177230	<b>Bed End Cover</b> <i>Includes items 2, 4, and 5 and Installation Instructions which are not shown in the illustration.</i>		1
3	SP1177554	<b>Wood Cover Fixation Kit</b> <i>Includes Spacer and Screws.</i>		1

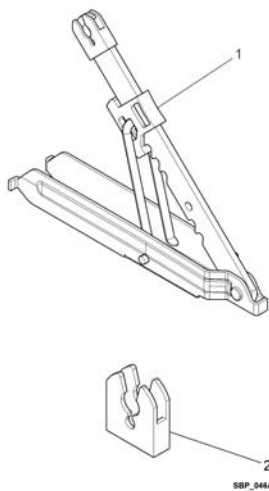
## Transport Brackets



Pos.	Part number	Description	Valid from → until	Qty
1	1560399-0152	Medley Ergo transport kit painted		1

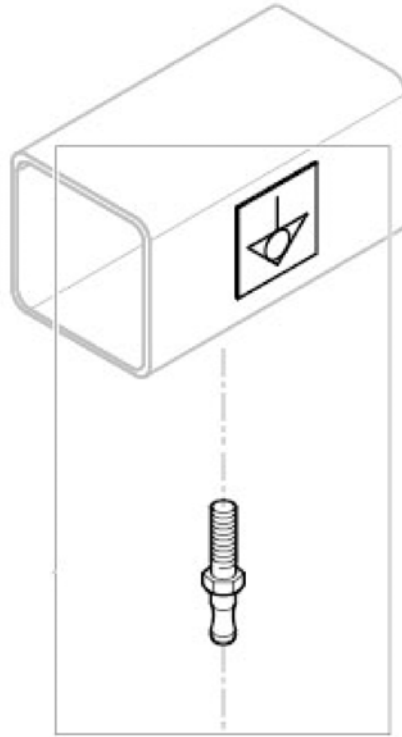


# Rastofix



Pos.	Part number	Description	Valid from → until	Qty
1	SP1177259	Rastofix		1
2	SP1191937	Plastic Clip for Rastofix Qty.10 <i>Includes 10 Clips</i>		1

## Equipotentiality



Pos.	Part number	Description	Valid from → until	Qty
1	SP1531201	Equipotentiality plug + sticker + notice		1





Yes, you can.®



---

**Belgium & Luxemburg:**

Invacare nv, Autobaan 22, B-8210 Loppem  
Tel: (32) (0)50 83 10 10, Fax: (32) (0)50 83 10 11  
belgium@invacare.com / www.invacare.be

**Denmark:**

Invacare A/S, Sdr. Ringvej 37, DK-2605 Brøndby  
Tel: (45) (0)36 90 00 00, Fax: (45) (0)36 90 00 01  
denmark@invacare.com / www.invacare.dk

**Deutschland:**

Invacare Aquatec GmbH, Alemannenstraße 10, D-88316 Isny  
Tel: (49) (0)75 62 7 00 0, Fax: (49) (0)75 62 7 00 66  
info@invacare-aquatec.com / www.invacare-aquatec.de

**European Distributor Organisation:**

Invacare, Kleiststraße 49, D-32457 Porta Westfalica  
Tel: (49) (0)57 31 754 540, Fax: (49) (0)57 31 754 541  
edo@invacare.com / www.invacare.eu.com

**España:**

Invacare SA, c/Areny s/n, Polígon Industrial de Celrà, E-17460 Celrà (Girona)  
Tel: (34) (0)972 49 32 00, Fax: (34) (0)972 49 32 20  
contactsp@invacare.com / www.invacare.es

**France:**

Invacare Poirier SAS, Route de St Roch, F-37230 Fondettes  
Tel: (33) (0)2 47 62 64 66, Fax: (33) (0)2 47 42 12 24  
contactfr@invacare.com / www.invacare.fr

**Ireland:**

Invacare Ireland Ltd, Unit 5 Seatown Business Campus, Seatown Road, Swords, County Dublin - Ireland  
Tel: (353) 1 810 7084, Fax: (353) 1 810 7085  
ireland@invacare.com / www.invacare.ie

**Italia:**

Invacare Mecc San s.r.l., Via dei Pini 62, I-36016 Thiene (VI)  
Tel: (39) 0445 38 00 59, Fax: (39) 0445 38 00 34  
italia@invacare.com / www.invacare.it

**Nederland:**

Invacare BV, Celsiusstraat 46, NL-6716 BZ Ede  
Tel: (31) (0)318 695 757, Fax: (31) (0)318 695 758  
nederland@invacare.com, csede@invacare.com / www.invacare.nl

**Norge:**

Invacare AS, Grensesvingen 9, Postboks 6230, Etterstad, N-0603 Oslo  
Tel: (47) (0)22 57 95 00, Fax: (47) (0)22 57 95 01  
norway@invacare.com, island@invacare.com / www.invacare.no

**Österreich:**

Invacare Austria GmbH, Herzog Odilostrasse 101, A-5310 Mondsee  
Tel: (43) 6232 5535 0, Fax: (43) 6232 5535 4  
info-austria@invacare.com / www.invacare.at

**Portugal:**

Invacare Lda, Rua Estrada Velha, 949, P-4465-784 Leça do Balio  
Tel: (351) (0)225 1059 46/47, Fax: (351) (0)225 1057 39  
portugal@invacare.com / www.invacare.pt

**Sverige & Suomi:**

Invacare AB, Fagerstagatan 9, S-163 91 Spånga  
Tel: (46) (0)8 761 70 90, Fax: (46) (0)8 761 81 08  
sweden@invacare.com, finland@invacare.com / www.invacare.se

**Switzerland:**

Invacare AG, Benkenstrasse 260, CH-4108 Witterswil  
Tel: (41) (0)61 487 70 80, Fax: (41) (0)61 487 70 81  
switzerland@invacare.com / www.invacare.ch

**United Kingdom:**

Invacare Limited, Pencoed Technology Park, Pencoed, Bridgend CF35 5AQ  
Switchboard Tel: (44) (0)1656 776200, Fax: (44) (0)1656 776201  
Customer services Tel: (44) (0)1656 776222, Fax: (44) (0)1656 776220  
uk@invacare.com / www.invacare.co.uk