

Tel: (00353) 1 8107084 Fax: (00353) 1 817085
Email: ordersireland@invacare.com
Online Spares available at www.invacare.ie

JAN 2018

Customer Ref:	Account No:
Contact No:	Order No:
Delivery Address:	Order Qty:
	Order Date:

Invacare® Action³ Junior BASIX
INVACARE IRELAND LTD
Max User Weight 80Kg (12.5 stone)

Standard Features



- Self Propulsion or Transit Propulsion
- Choice of 4 Seat Widths 305mm to 380mm
- Choice of 2 Seat Depths (Depth Adjustable Upholstery)
- Choice of 3 Seat Heights 410mm to 460mm
- Black Nylon Upholstery
- Folding Backrest, Delivered at 40mm
- Width and Height Adjustable Backrest Upholstery (Sling Type)
- 80° Detachable Legrest Hangers
- Flip Up, Angle and Depth Adjustable Footplates
- Removable and Height Adjustable Desk Armrests
- Adjustable Heel Straps
- Choice of 6 Colours
- Push or Pull to Lock Brakes (configuration dependant)
- Transportation Kit and Buckle Belt
- User tool kit



* Configurations may vary to the image shown

Standard Base Price: €649

Code	Description	NC's (Non Conformance)	IRELAND
MODEL			
CNB0000	<input checked="" type="checkbox"/> ACTION ³ JUNIOR BASIX		€649
CNBSPEC	ACTION 3 JR Special Basic Model - PLEASE COMPLETE DETAILS AT THE END OF THE FORM		
PROPULSION TYPE			
CNB0100	SELF PROPULSION	(NC : 1100, 1110, 1170)	<input type="checkbox"/>
CNB0110	TRANSIT PROPULSION (SEAT ANGLE 1.5° ONLY) OPTION INCLUDES BUILT IN TIPPING LEVERS	(NC : 0270, 0280, 1060, 1070, 1075, 1090, 1180, 1190, 1195, 1275, 1390, 1430, 1440)	<input type="checkbox"/>
SEAT			
SEAT WIDTH			
CNB0180	305mm SEAT WIDTH (12")	(NC: 0250, 0252, 0520, 0570, 1190, 1195)	<input type="checkbox"/>
CNB0190	330mm SEAT WIDTH (13")	(NC: 0240, 0251, 0530, 0580)	<input type="checkbox"/>
CNB0200	355mm SEAT WIDTH (14")	(NC: 0240, 0251, 0530, 0580)	<input checked="" type="checkbox"/>
SEAT DEPTH			
CNB0240	300MM SEAT DEPTH		<input type="checkbox"/>
CNB0250	350MM SEAT DEPTH		<input type="checkbox"/>
CNB0251	ADJUSTABLE SEAT DEPTH 250 TO 300 MM		<input type="checkbox"/>
CNB0252	ADJUSTABLE SEAT DEPTH 300 TO 350 MM		<input checked="" type="checkbox"/>
SEAT HEIGHT			
CNB0260	460mm SEAT HEIGHT (18")		<input type="checkbox"/>
CNB0270	435mm SEAT HEIGHT (17")		<input type="checkbox"/>
CNB0280	410mm SEAT HEIGHT (16")	(NC: 1430, 1440)	<input type="checkbox"/>

Order No :

Customer Ref :

SEAT UPHOLSTERY TYPE			
CNB0330	X	NYLON WITH VELCRO STRIPS SEAT UPHOLSTERY	◆
BACKREST			
BACKREST TYPE			
CNB0370		FIXED 0° BACKREST 3 UPHOLSTERY HEIGHTS: 370/400/430mm - DELIVERED AT 400mm (SW 305mm TO 380mm)	○
CNB0380		FIXED 7° BACKREST 3 UPHOLSTERY HEIGHTS: 370/400/430mm - DELIVERED AT 400mm (SW 305mm TO 380mm)	○
CNB0381		FIXED 7° BACKREST 510mm PUSH HANDLE HEIGHT, 3 UPHOLSTERY HEIGHTS: 370/400/430mm - DELIVERED AT 400mm (SW 305mm TO 380mm)	○
CNB0390		RECLINING (RATCHET) 0/30° BACKREST, 5 UPHOLSTERY HEIGHTS: 350/370/390/410/430mm - DELIVERED AT 390mm (SW 305mm TO 380mm) W/O BACKBRACE (NC: 1190, 1195)	€121
CNB0395		RECLINING (GAS SPRING) 0/30° BACKREST, UPHOLSTERY HEIGHT 400mm, W/O BACKBRACE (NC: 1190, 1195)	€181
CNB0400		FOLDING BACKREST, 3 UPHOLSTERY HEIGHTS: 370/400/430mm- DELIVERED AT 400mm (SW 305 TO 380mm)	◆
CNB0401		FOLDING BACKREST 510MM, 2 UPHOLSTERY HEIGHTS: 400/430 MM- DELIVERED AT 400 MM	○
CNB0420		FOLDING BACKREST, UPHOLSTERY HEIGHT 400mm: HEIGHT ADJUSTABLE PUSH HANDLE (100mm) (NC : 0855)	€74
CNB0425		FIXED 7° BACKREST, UPHOLSTERY HEIGHT 400mm (with 0475), 430mm (with 0480) ; HEIGHT ADJUSTABLE PUSH HANDLE (150mm) (NC : 0855)	€74
BACKREST UPHOLSTERY TYPE			
CNB0465		WITHOUT BACKREST UPHOLSTERY	○
CNB0475		WIDTH & HEIGHT ADJUSTABLE NYLON SLING TYPE	◆
CNB0480		CONTOUR ADJUSTABLE (FULL TENSION ADJUSTABLE) NYLON TYPE (NC: 0855)	€107
HANGERS/FOOTPLATES			
HANGERS RH TYPE (LENGTH ADJUSTMENT IN 10mm STEPS)			
CNB0505		90° STRAIGHT RH REMOVABLE HANGER (Knee to heel STD 125mm TO 260mm) (NC: 0600, 1005)	€27
CNB0510		80° SHORT RH SWING IN/OUT HANGER (0° STANDARD POSITION; Knee to heel STD 220mm TO 320mm) BLACK COLOUR ONLY (NC: 0561, 0562, 0563)	◆
CNB0512		80° LONG RH SWING IN/OUT HANGER (0° STANDARD POSITION; Knee to heel STD 300mm TO 450mm) (NC: 0560, 0561, 0563)	○
CNB0520		ELEVATING LEGREST (0° TO 80°) RH SWING IN/SWING OUT HANGER (INCLUDING CALFPAD); UL STD 275 TO 375 MM (NC: 0600, 0611, 0880, 0886)	€87
CNB0530		ELEVATING LEGREST (0° TO 80°) RH SWING IN/SWING OUT HANGER (WITHOUT CALFPAD, WITH CALFSTRAP); UL STD 235 TO 295 MM (NC: 0600, 0611, 0880, 0886)	€87
HANGERS LH TYPE (LENGTH ADJUSTMENT IN 10mm STEPS)			
CNB0555		90° STRAIGHT LH REMOVABLE HANGER (Knee to heel STD 125mm TO 260mm) (NC: 0620, 1005)	€27
CNB0560		80° SHORT LH SWING IN/OUT HANGER (0° STANDARD POSITION; Knee to heel STD 220mm TO 320mm) BLACK COLOUR ONLY	◆
CNB0562		80° LONG LH SWING IN/OUT HANGER (0° STANDARD POSITION; Knee to heel STD 300mm TO 450mm)	○
CNB0570		ELEVATING LEGREST (0° TO 80°) LH SWING IN/SWING OUT HANGER (INCLUDING CALFPAD); UL ST 275 TO 375 MM (NC : 0611, 0620, 0880, 0886)	€87
CNB0580		ELEVATING LEGREST (0° TO 80°) LH SWING IN/SWING OUT HANGER (WITHOUT CALFPAD, WITH CALFSTRAP); UL STD 235 TO 295 MM (NC: 0600, 0611, 0880, 0886)	€87
FOOTPLATES RH TYPE			
CNB0600		FLIP UP RH FOOTPLATE (NC: 0882, 0883, 0884, 0885, 0886)	○
CNB0605		FLIP UP, ANGLE & DEPTH ADJUSTABLE RH FOOTPLATE	◆
CNB0611		ONE PIECE FOOTBOARD (NC : 0620, 0625, 0882, 0883, 0884, 0885)	○
FOOTPLATES LH TYPE			
CNB0620		FLIP UP LH FOOTPLATE (NC: 0882, 0883, 0884, 0885, 0886)	○
CNB0625		FLIP UP, ANGLE & DEPTH ADJUSTABLE LH FOOTPLATE	◆

Order No :

Customer Ref :

ARMRESTS			
ARMRESTS RH FORM			
CNB0640	REMOVABLE RH (N°1) DESK ADJ. 180mm TO 280mm. Autolock safety device included.	(NC : 0745, 0746, 0750, 0755)	◆
CNB0645	REMOVABLE RH (N°1) JUNIOR ADJ. 150mm TO 250mm. Autolock safety device included.	(NC : 0740, 0746, 0750, 0755)	○
CNB0646	REMOVABLE RH (N°1) JUNIOR ADJ. NARROW ARMPAD 150mm TO 250mm. Autolock safety device included.	(NC : 0740, 0745, 0750, 0755)	○
CNB0650	MUDGUARD RH	(NC: 0740, 0745, 0746, 0755, 1201, 1471, 1472)	€35
CNB0655	SKIRTGUARD RH JUNIOR	(NC: 0740, 0745, 0746, 0750, 1471, 1472)	○
ARMRESTS LH FORM			
CNB0740	REMOVABLE LH (N°1) DESK ADJ. 180mm TO 280mm. Autolock safety device included.		◆
CNB0745	REMOVABLE LH (N°1) JUNIOR ADJ. 150mm TO 250mm. Autolock safety device included.		○
CNB0746	REMOVABLE LH (N°1) JUNIOR ADJ. NARROW ARMPAD 150mm TO 250mm. Autolock safety device included.		○
CNB0750	MUDGUARD LH	(NC : 1201, 1471, 1472)	€35
CNB0755	SKIRTGUARD LH JUNIOR	(NC : 1471, 1472)	○
SEATING OPTIONS TYPE			
CNB0851	SEAT CUSHION MSS (ESSENTIAL JUNIOR)		€109
CNB0855	BACKREST EXTENSION (230mm)	(NC: 0860, 0865)	€70
CNB0860	HEADREST STANDARD MULTI - ADJUSTABLE (INCLUDING WIDTH ADJUSTABLE BACKBRACE)	(NC: 0865, 0902)	€107
CNB0865	HEADREST ROUND MULTI - ADJUSTABLE (INCLUDING WIDTH ADJUSTABLE BACKBRACE)	(NC: 0902)	€150
CNB0880	ADJUSTABLE CALF STRAP	(NC: 0885)	€10
CNB0881	FRONT STABILISER KIT (+100mm OUT RIGGED CASTORS)		○
CNB0882	PRO-TECH ANKLE SURE MOUNTING BRACKETS (PAIR, FITTED BELOW FOOTPLATES)	(NC: 0883, 0884, 0885)	€66
CNB0883	PRO-TECH HI TOPS (ANKLE SURES) XS (CIRC 155-200MM) <i>INCLUDES BRACKET OPTION 0882</i>	(NC: 0884, 0885)	€190
CNB0884	PRO-TECH HI TOPS (ANKLE SURES) S (CIRC 160-215MM) <i>INCLUDES BRACKET OPTION 0882</i>	(NC: 0885)	€190
CNB0885	PRO-TECH HI TOPS (ANKLE SURES) M (CIRC 175-230MM) <i>INCLUDES BRACKET OPTION 0882</i>		€190
CNB0886	FOOTPLATE ADJUSTMENT OPTIMISER KIT (FRONT OR REAR SET ADJUSTMENT)		€20
CNB0902	WIDTH ADJUSTABLE BACKBRACE		€25
COLOURS			
CNB0952	PEARL WHITE		○
CNB0953	MATT BLACK		○
CNB0954	MATT RED		○
CNB0955	INTENSE YELLOW		○
CNB0956	POLAR BLUE		○
CNB0957	CANDY PINK		○
CNB0970	SAPPHIRE BLUE		○
CNB0991	SPECIAL COLOUR (ON DEMAND ONLY - 2 WEEK LEAD TIME)		€119
FRONT WHEELS			
CNB1000	125mm x 25mm (5" x 1") SOLID TYRE		◆
CNB1001	125mm x 25mm (5" x 1") FLASHING LIGHTS SOLID TYRE		€30
CNB1005	125mm x 40mm (5" x 1" 3/4) SOLID TYRE		○
REAR WHEELS			
REAR WHEEL TYPE			
CNB1060	560mm x 35mm (22" x 1.3/8") PNEUMATIC TYRE SPOKED RIM	(NC: 1170)	○
CNB1070	560mm x 35mm (22" x 1.3/8") SOLID TYRE SPOKED RIM	(NC: 1170)	○
CNB1075	560mm x 25mm (22" x 1") BLACK SOLID TYRE SPOKED RIM	(NC: 1170)	○
CNB1090	510mm x 35mm (20" x 1.3/8") SOLID TYRE SPOKED RIM	(NC: 1170, 1280)	○
CNB1100	305mm x 50mm (12" x 2") PNEUMATIC TYRE PLASTIC RIM	(NC : 1140, 1141, 1180, 1250, 1251, 1252, 1253, 1254, 1255, 1256, 1380, 1390)	○
CNB1110	305mm x 50mm (12" x 2") SOLID TYRE PLASTIC RIM	(NC : 1140, 1141, 1180, 1250, 1251, 1252, 1253, 1254, 1255, 1256, 1380, 1390)	○

Order No :

Customer Ref :

HANDRIM TYPE			
CNB1140		ALUMINIUM PRE-ANODIZED HANDRIM	○
CNB1141		BLACK ANTI-SLIP PLASTIC	€73
REAR WHEELS AXLE TYPE			
CNB1170		FIXED AXLE (NC: 1201)	◆
CNB1180		QUICK RELEASE AXLE	○
REAR WHEELS POSITION			
CNB1190		STANDARD REAR WHEELS POSITION	◆
CNB1195		MEDIUM REAR WHEELS POSITION	○
CNB1200		PASSIVE REAR WHEELS POSITION	○
CNB1201		DUAL AMPUTEE REAR WHEELS POSITIONS (60mm FROM BACKREST CANE TO AXLE, ADJUSTABLE TO 85mm FOR SELF PROPEL, SET AT 50mm OR ADJ TO 75mm FOR TRANSIT) (NC: 1275, 1280)	€68
PUMP			
CNB1230		PUMP AND SUPPORT	€9
CHASSIS OPTIONS TYPE			
CNB1253		SPOKE GUARD CLEAR (PAIR)	€77
CNB1254		SPOKE GUARD PIXEL (PAIR)	€94
CNB1255		SPOKE GUARD SNOWFLAKES (PAIR)	€94
CNB1256		SPOKE GUARD COLOUR ME (PAIR)	€94
BRAKES TYPE - NOTE: A brake option MUST be selected			
CNB1270		PUSH TO LOCK BRAKES	◆
CNB1275		PULL TO LOCK BRAKES	○
CNB1280		ATTENDANT HUB BRAKES (INCLUDING PUSH TO LOCK BRAKES) AVAILABLE WITH SOLID TRANSIT REAR WHEELS	€147
SAFETY OPTIONS TYPE			
CNB1345	X	TRANSPORTATION KIT (INCLUDING BUCKLE BELT)	◆
CNB1361		PRO-TECH PAEDIATRIC BELT (NOT CRASH TESTED)	€93
CNB1370		REAR ANTI-TIPPERS (PAIR) WITH TIPPING AID (NC : 1430, 1440)	€34
CNB1380		REFLECTORS KIT (WHEELS AND CHASSIS)	€7
CNB1390		BRAKE EXTENSION PAIR	€13
ATTENDANT OPTIONS TYPE			
CNB1430		RH TIPPING AID	€13
CNB1440		LH TIPPING AID	€13
ACCESSORIES TYPE			
CNB1471		RH SWING AWAY ACRYLIC TRAY	€194
CNB1472		LH SWING AWAY ACRYLIC TRAY	€194
			Total Price:

Order No :

Customer Ref :

Non Conforming Options:	
CNB0270	43.5 CM SEAT HEIGHT (17")
CNB0280	41 CM SEAT HEIGHT (16")
CNB0520	ELEVATING LEGREST (0° TO 80°) RH SWING IN/SWING OUT HANGER (INCLUDING CALFPAD); Knee to heel STD 27.5 TO 37.5 CM
CNB0560	80° SHORT LH SWING IN/OUT HANGER (0° STANDARD POSITION; Knee to heel STD 22 TO 32 CM) BLACK COLOUR ONLY
CNB0561	80° SHORT LH SWING IN/OUT HANGER (30° ABDUCTION POSITION; Knee to heel STD 22 TO 32 CM) BLACK COLOUR ONLY
CNB0562	80° LONG LH SWING IN/OUT HANGER (0° STANDARD POSITION; Knee to heel STD 30 TO 45 CM)
CNB0563	80° LONG LH SWING IN/OUT HANGER (30° ABDUCTION POSITION; Knee to heel STD 30 TO 45 CM)
CNB0570	ELEVATING LEGREST (0° TO 80°) LH SWING IN/SWING OUT HANGER (INCLUDING CALFPAD); Knee to heel ST 27.5 TO 37.5 CM
CNB0600	FLIP UP RH FOOTPLATE
CNB0611	ONE PIECE FOOTBOARD
CNB0620	FLIP UP LH FOOTPLATE
CNB0625	FLIP UP, ANGLE & DEPTH ADJUSTABLE LH FOOTPLATE
CNB0646	REMOVABLE RH (N°1) JUNIOR ADJ. NARROW ARMPAD 150mm TO 250mm
CNB0740	REMOVABLE LH (N°1) DESK ADJ. 18 TO 28 CM
CNB0745	REMOVABLE LH (N°1) JUNIOR ADJ. 15 TO 25 CM
CNB0746	REMOVABLE LH (N°1) JUNIOR ADJ. NARROW ARMPAD 150mm TO 250mm
CNB0750	MUDGUARD LH
CNB0755	SKIRTGUARD LH JUNIOR
CNB0855	BACKREST EXTENSION (23 CM)
CNB0860	HEADREST STANDARD MULTI - ADJUSTABLE (INCLUDING BACKBRACE)
CNB0865	HEADREST ROUND MULTI - ADJUSTABLE (INCLUDING BACKBRACE)
CNB0880	ADJUSTABLE CALF STRAP
CNB0881	FRONT STABILISER KIT (+10CM OUT RIGGED CASTORS)
CNB0886	FOOTPLATE ADJUSTMENT OPTIMIZER KIT (FRONT OR REAR SET ADJUSTMENT)
CNB1005	5"x 1" 3/4 SOLID TYRE
CNB1060	22" x 1.3/8" PNEUMATIC TYRE SPOKED RIM
CNB1070	22" x 1.3/8" SOLID TYRE SPOKED RIM
CNB1075	22" x 1" BLACK SOLID TYRE SPOKED RIM
CNB1080	20" x 1.3/8" PNEUMATIC TYRE SPOKED RIM
CNB1090	20" x 1.3/8" SOLID TYRE SPOKED RIM
CNB1100	12" x 2" PNEUMATIC TYRE PLASTIC RIM
CNB1110	12" x 2" SOLID TYRE PLASTIC RIM
CNB1140	ALUMINIUM PRE-ANODIZED HANDRIM
CNB1141	BLACK ANTI-SLIP PLASTIC
CNB1170	FIXED AXLE
CNB1180	QUICK RELEASE AXLE
CNB1190	STANDARD REAR WHEELS POSITION
CNB1195	MEDIUM REAR WHEELS POSITION
CNB1201	DUAL AMPUTEE REAR WHEELS POSITIONS (6 CM FROM BACKREST CANE TO AXLE, ADJUSTABLE TO 8.5 CM)
CNB1253	SPOKE GUARD CLEAR (PAIR)
CNB1254	SPOKE GUARD PIXEL (PAIR)
CNB1255	SPOKE GUARD SNOWFLAKES (PAIR)
CNB1256	SPOKE GUARD COLOUR ME (PAIR)
CNB1275	PULL TO LOCK BRAKES
CNB1280	ATTENDANT HUB BRAKES (INCLUDING PUSH TO LOCK BRAKES)
CNB1361	PRO-TECH PAEDIATRIC BELT (NOT CRASH TESTED)
CNB1390	BRAKE EXTENSION PAIR
CNB1430	RH TIPPING AID
CNB1440	LH TIPPING AID
CNB1471	RH SWING AWAY ACRYLIC TRAY
CNB1472	LH SWING AWAY ACRYLIC TRAY

Order No :

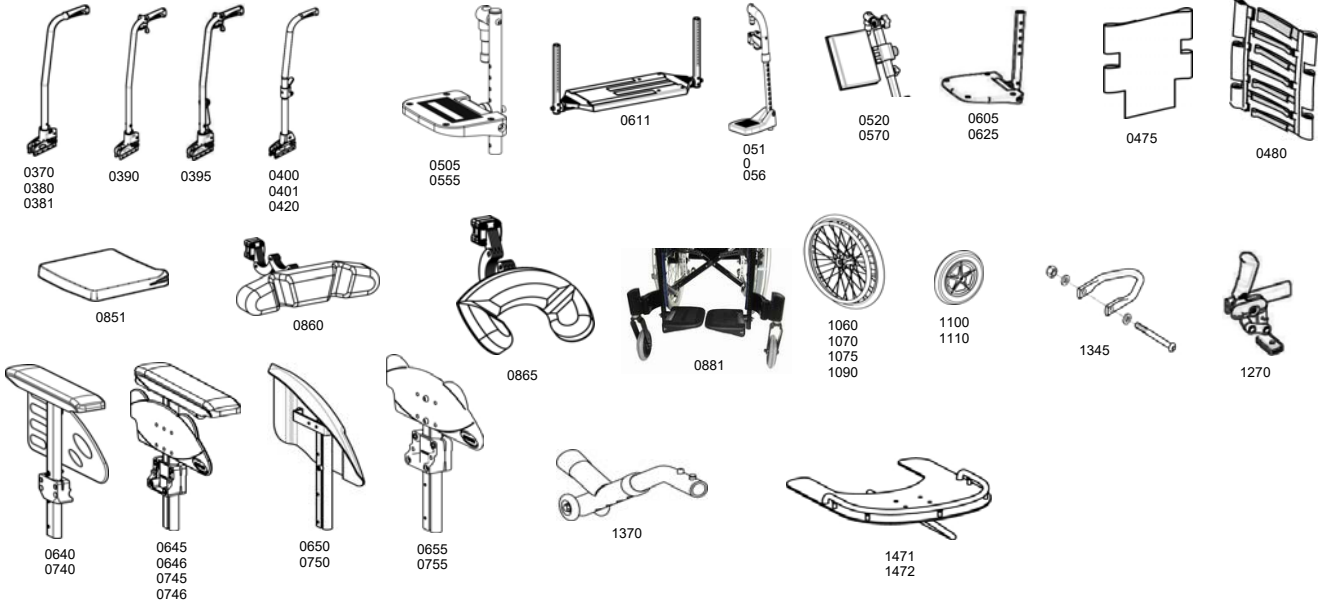
Customer Ref :



- 1190 Standard Rear Wheel Position
- 1195 Medium Rear Wheel Position
- 1200 Passive Rear Wheel Position



1201 Dual Amputee Rear Wheel Set Back Position



Special Instructions - Please supply the following information:

Name:

Email:

Phone:

Fax:

Description of special request (please include relevant option code or part number):