

Invacare® Kite™ Launch Presentation





UK and Ireland to Launch July 1st (P/Form updates)

Kite – Standard Features



- Dual Swing Technology
- Maximum User Weight 160Kg (25 stone)
- Choice of 2 seats STD and Flex II (Max seat to follow August)
- 10" Castors
- 14" Rear Wheels
- 60 amp Batteries
- 90 amp Power Module
- High Torque 4 Pole SSD Motors (6 k/hr)
- Manual Settable Tilt (0 – 12 Degrees)
- Manual Settable Reclining Backrest (-10 to 30 on Std seat, 0 – 20 on Flex II seat)
- Choice of Seat to Ground Heights
- Manual Brakes

Kite – Standard Features



- 4 Point tie down brackets (Crash Tested)
- Metal Buckle Lap Strap
- Choice of 4 Frame colours (Electric Red, Metallic Silver, Black and Transparent Blue)
- Height, Width Adj (2cm each side) and Detachable Armrests
- Action 3 Type 80° Hangers with Fixed Footplates (Metal Nose)
- ACS Controls
- Anti Tippers

Kite – Optional Features



- Flip Up Armrests, Extended Armpads
- Range of Headrests
- Powered Tilt (12° or 28° with COG Shift)
- Powered Backrest Recline 0 – 20° (0 – 30° later for Flex II Seat)
- Range of Legrest Hangers (Varia F and A, Manual Elevators, Electric Elevators)
- Range of Joysticks (Rem A,B, 550, 24, G90, Attendant, Centre, Chin, Dual, Tray, Head Control etc)
- 10 k/hr Motors
- 70 amp Batteries
- G-Trac
- Lights
- Kerb Climber
- Mirror, Crutch Holder, Tray and Fenders

Kite – Standard Seating

- 5cm seat cushion
- Tension adjustable back
- Angle settable back $-10^{\circ} > 30^{\circ}$
- Back height 48 or 54cm (from seat plate)
- Seat widths 44 > 48cm
- Seat depths 41- 46 – 51cm



Kite – Flex II Seating

- Choice of 3 Seat Widths 39, 44 and 49cm
- Seat Depth 43cm plus 7cm of Adjustment
- 2 cm Width Adj on Each Armrest
- 7 cm Thick Flo Shape Cushion
- 55 cm High Laguna Backrest Cushion
- Angle Settable Backrest 0 – 20°
- Manual Settable Tilt 0 – 12°
- Choice 2 width Seat cushions and Backrest cushions per seat width



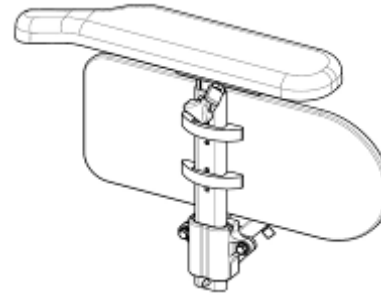
Kite – Armrest Options

STD Seat Armrests



Option 0606

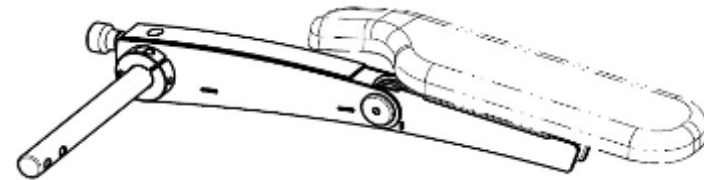
Flex II Seat Armrests



**Option 0670 Long
Armrest**

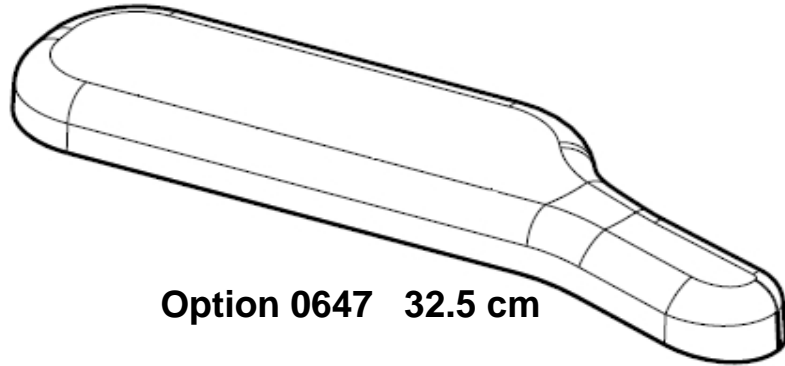


**Option 0625 Azalea
Type**

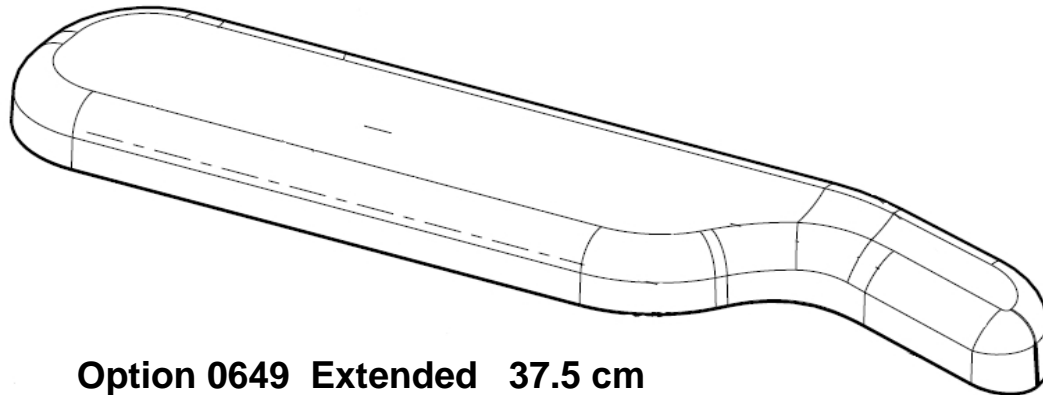


**Option 0621 Flip Up
Type**

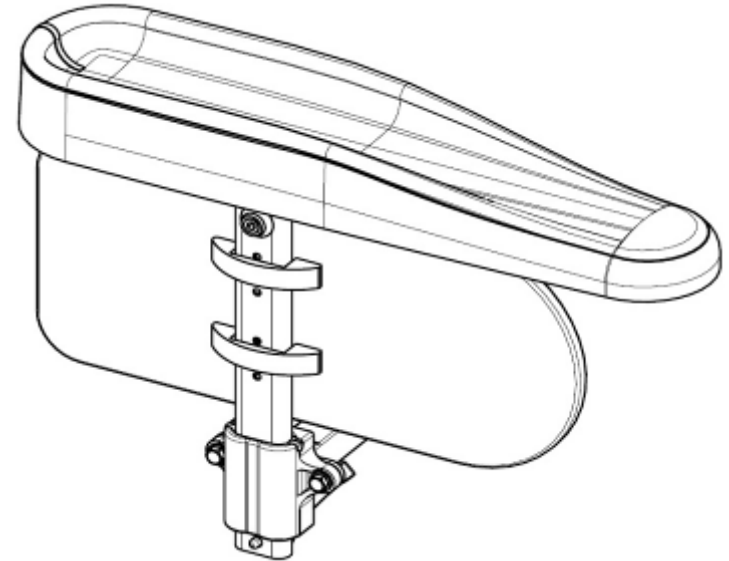
Kite – Armpads



Option 0647 32.5 cm

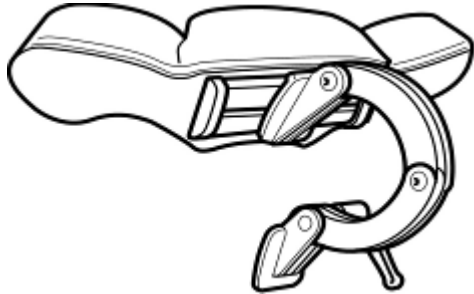


Option 0649 Extended 37.5 cm

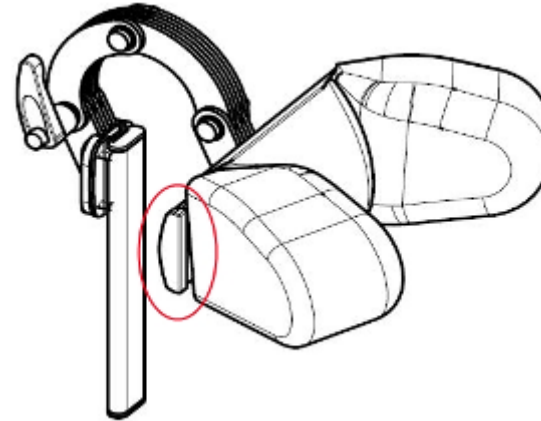


**Option 0671 and 0672
Hemiplegic**

Kite – Headrest / Neckrest Options



Option 1427 Headrest with Cheek Support



Option 1432 Headrest (sideways) Adjustable



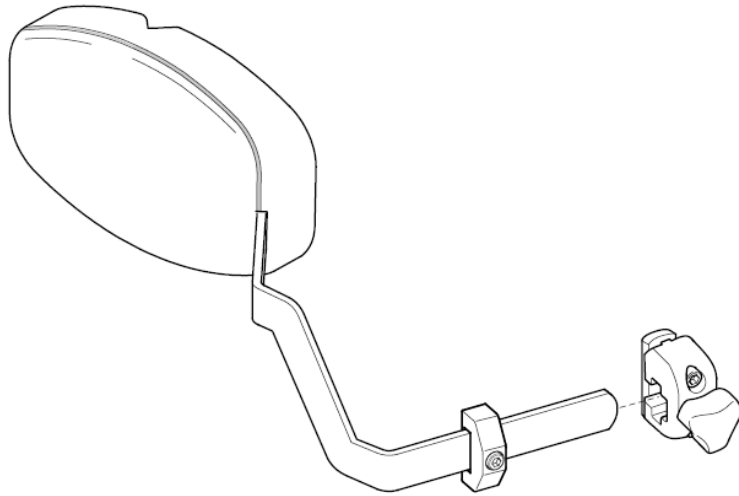
Option 1353 Headrest Depth and Width Adjustable



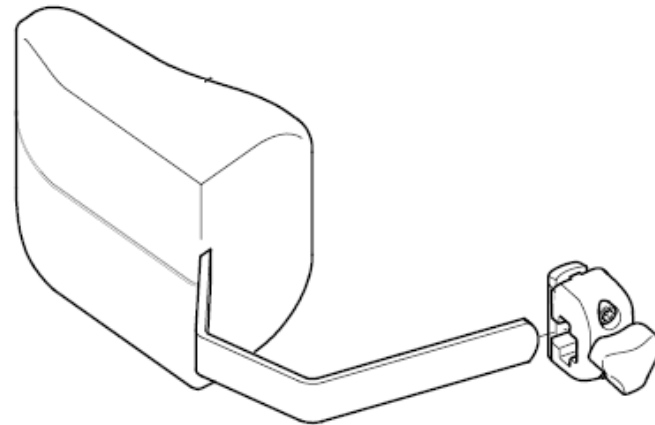
Option 1350 Neckrest Depth Adjustable

Kite – Seat Accessories

Flex II Seat Only



**Option 1445 Lateral Support with
Extended Arm (Dartex)**

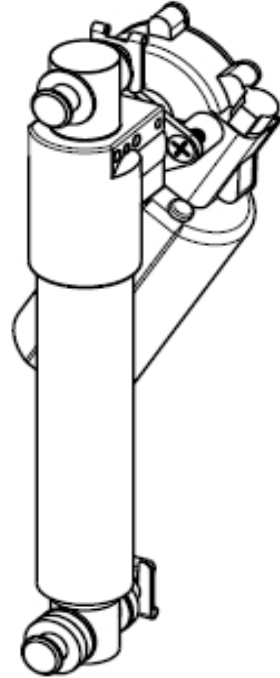


**Option 1446 Lateral Support
(Dartex)**

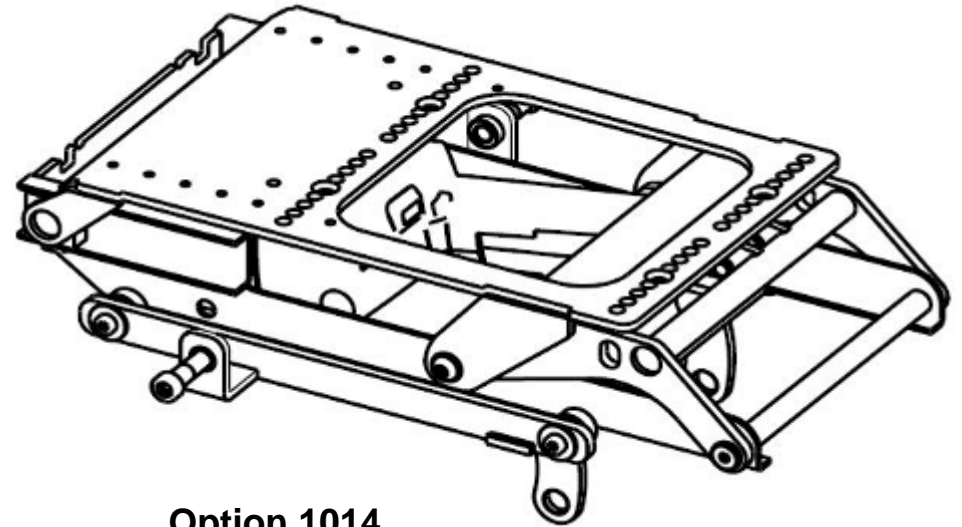
Kite – Seat Adjustments



Option 1002 0 – 12°



Option 1001 0 –
12°



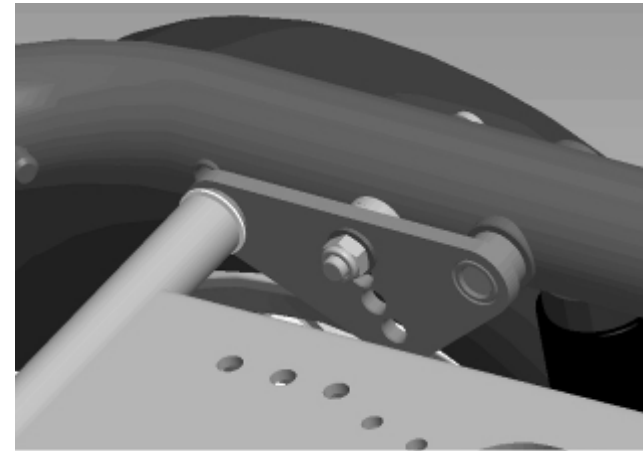
Option 1014
0 – 28° with COG
Shift

Kite – Seat Height Settings



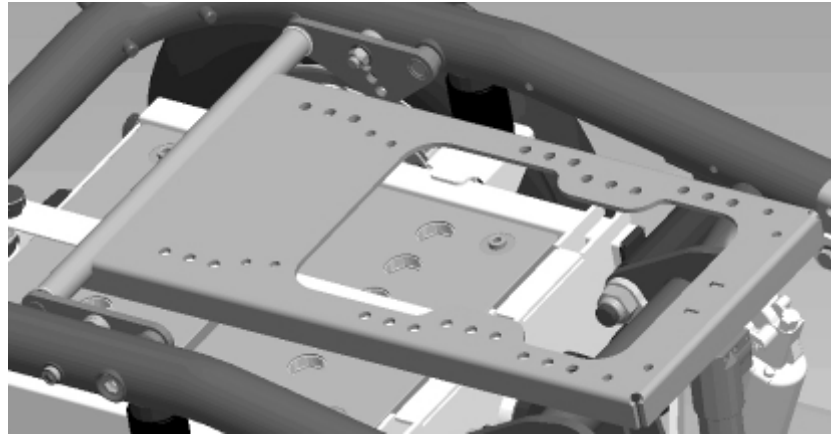
**STD 42, 44, 46 or 48cm with man or 12°
electric tilt**

**Flex II 46, 48 or 50cm with man or 12°
elect tilt**



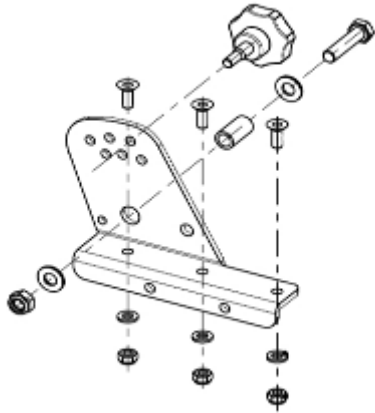
Rear Seat Fixation Point

Kite – Centre of Gravity Shift

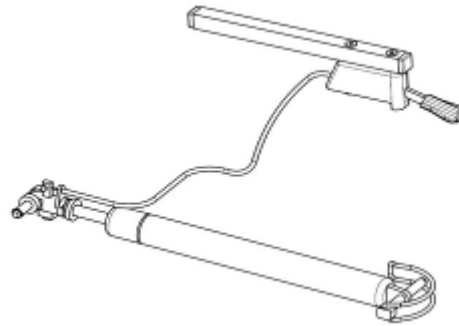


3 Seat Positions

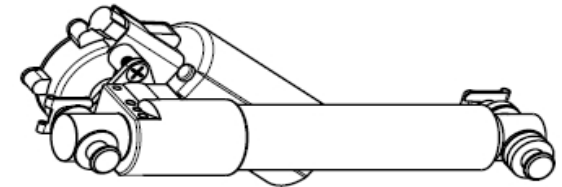
Kite – Backrest Recliner



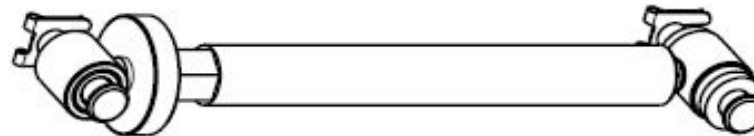
STD Seat option 0959 -10, 0, 7.5,
15, 22.5 or 30°



Flex II Seat Option 0955
Pneumatic 0 – 20°



STD and Flex II Seats Option
0947 0 – 20°

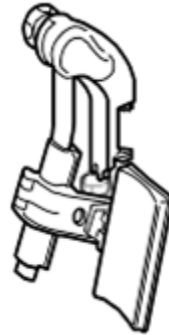


Flex II Seat Option 0959 0 –
20°

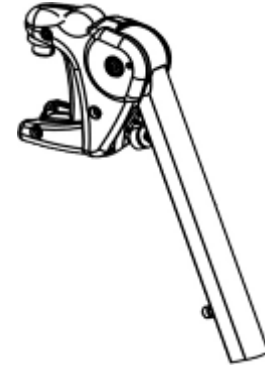
Kite – Hangers



**Option 0526 80°
hanger**



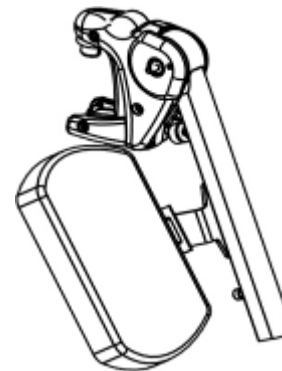
**Option 0529 Manual Elevator
0 - 70°**



**Varia F Angle Adjustable Via
Tools 0 – 70°**

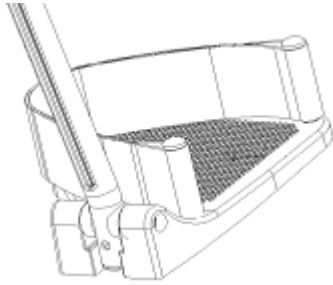


**ADE Electric Elevator 0 –
80°**

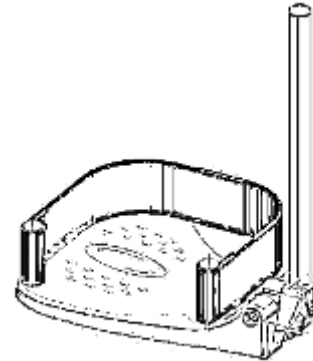


**Varia A Angle Adjustable Via Hand
Knobs 0 – 70°**

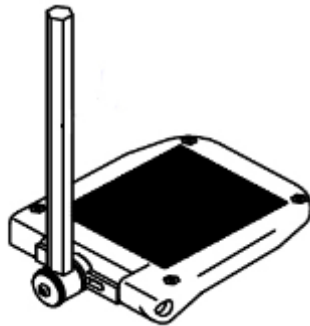
Kite – Footplates



**Option 0512 Flip Up
Footplate**



**Option 0504 Angle
Adjustable Footplate**

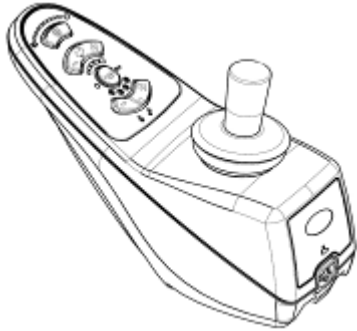


**Option 0513 Angle and Depth
Adjustable (Adapt)**

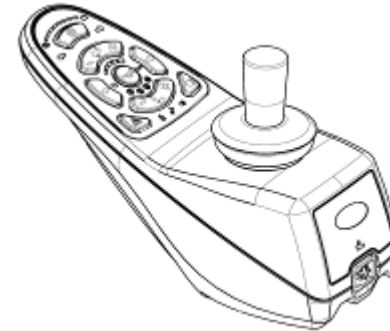


**Option 0522 Angle
Adjustable Footboard**

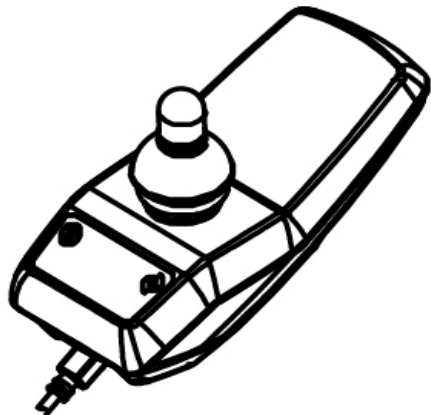
ACS Only



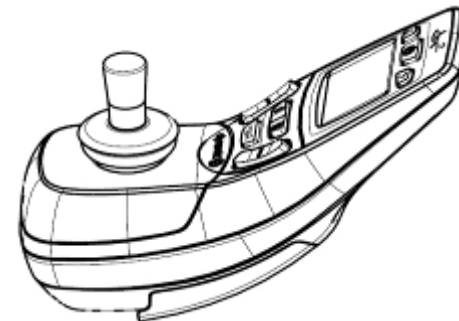
Option 1638 Rem A Drive plus 4 Actuators



Option 1639 Rem B Drive Plus 4 Actuators and Lights



Option 1601 Rem 24SD Drive Plus 5 Actuators and Lights With Buddy Button Function



Option 1617 Rem 550 LCD Screen Drive Plus 5 Actuators and Lights with Buddy Button Function

Kite – Frame Colours



Electric red



Transparent Blue

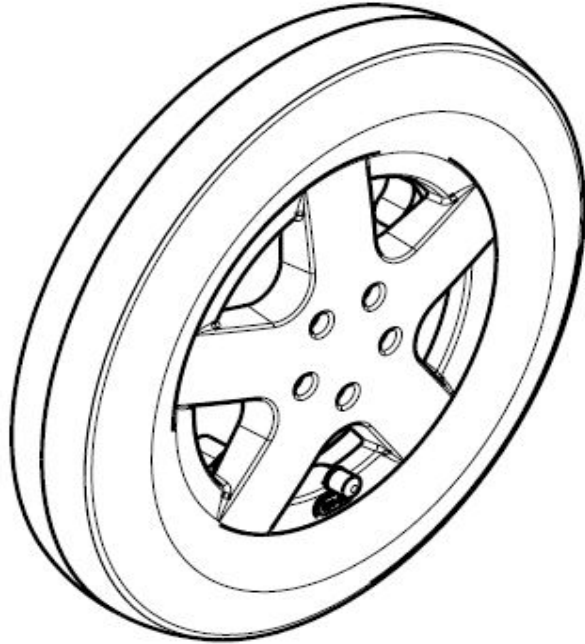


Silver



Black

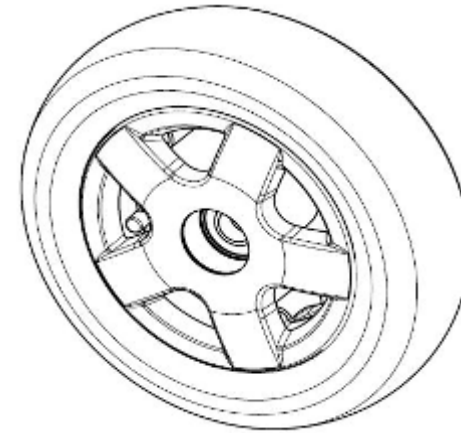
Kite – Front and Rear Wheels



Rear Wheels 14" Grey

Grey Pnuematic, Puncture Proof Solid Inlay Grey and Puncture proof (sealed) Grey

Option no's 0771, 0750 and 0773

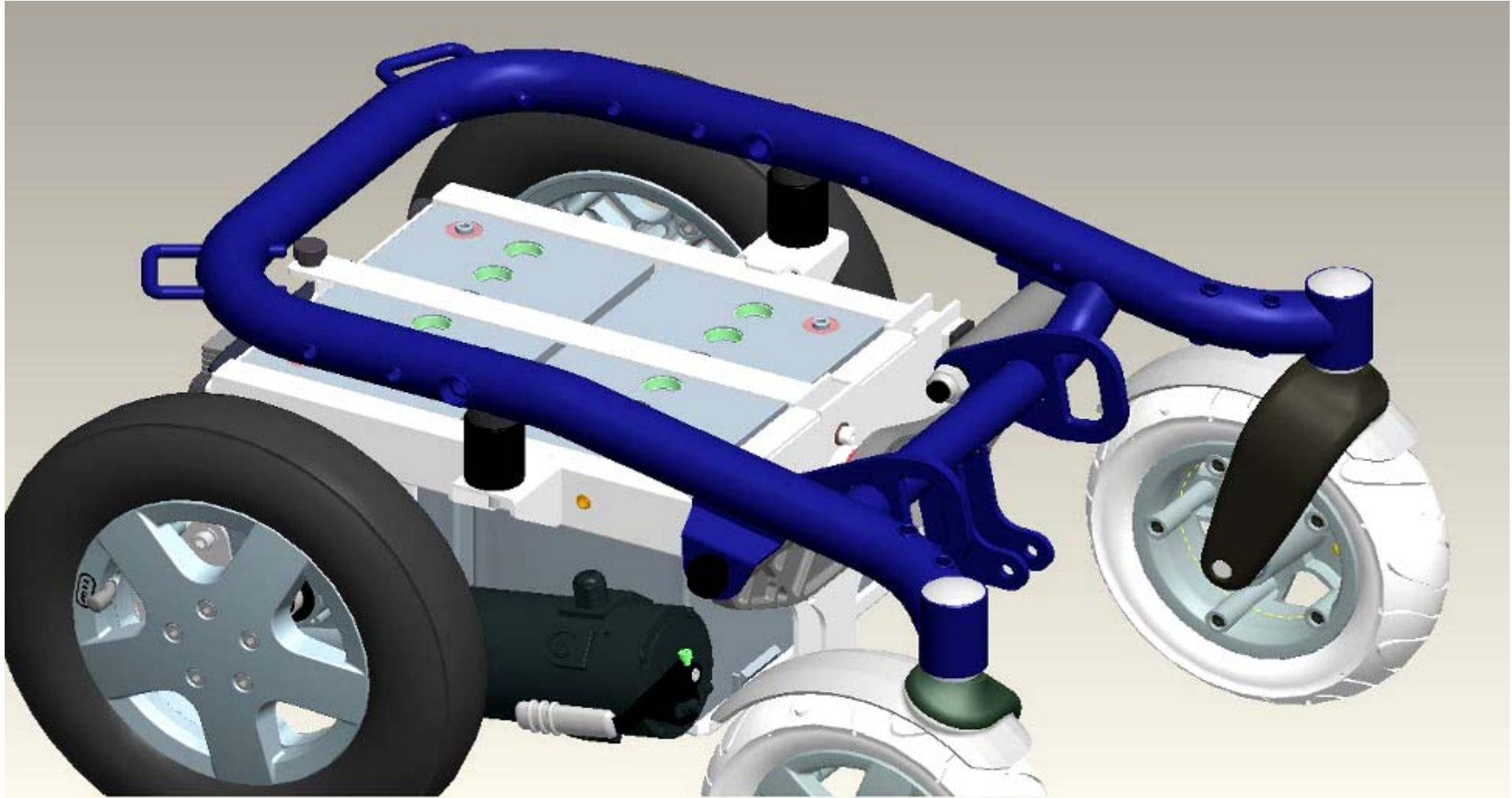


Front Wheels 10" Grey

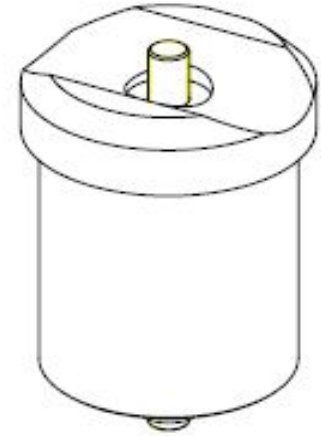
Pneumatic, Puncture Proof Solid inlay or Puncture Proof Sealed

Option no's 0851, 0855 and 0853

Kite – Dual Swing Technology



Kite – Rear Suspension



Damper Option 1219

Kite – Motors

SSD 4 Pole High Torque Motors

18 to 1 or 23 to 1 gear ratio

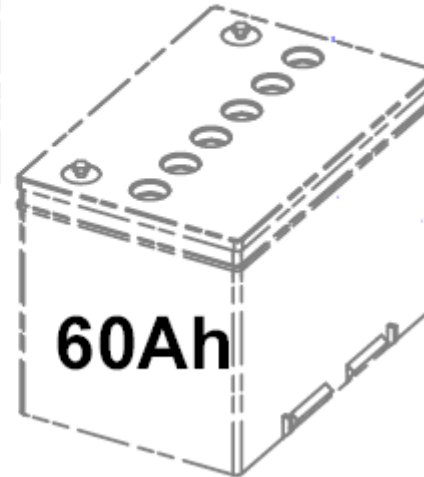
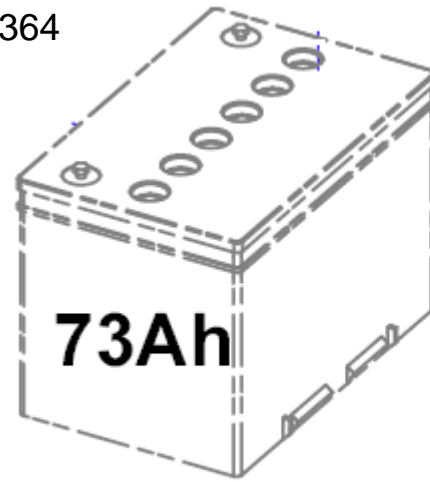
6 k/hr Option 1282

10 k/hr Option 1283



Kite – Batteries

73 amp/hr Option 1364



60 amp/hr Std Option 1259

Kite – G-Trac



Option 1215



G-Trac Power Module 90 amp/hr

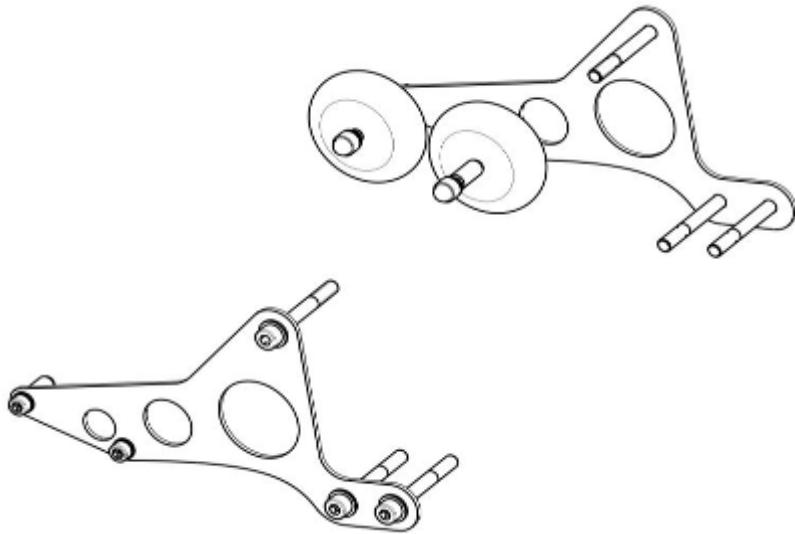


Gyro

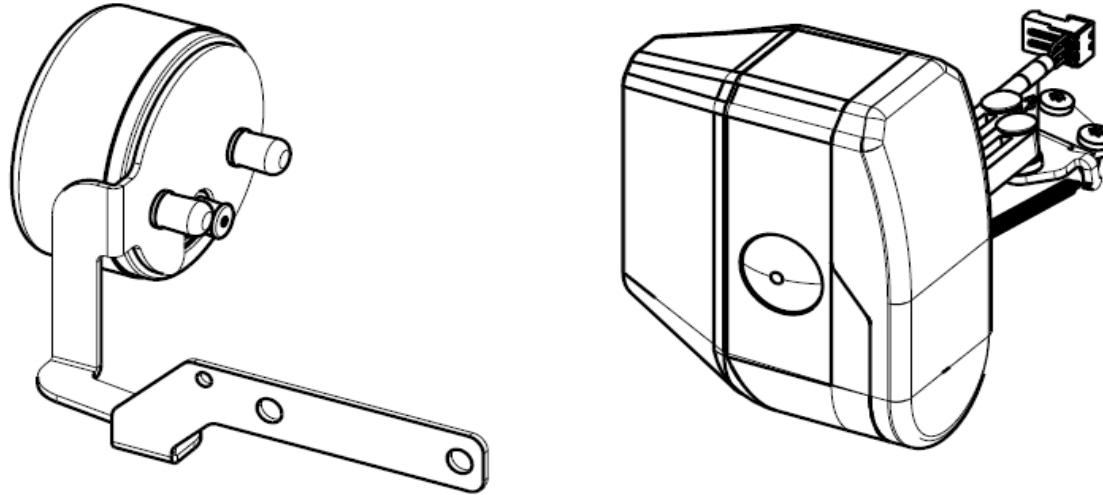
Kite – Anti Tippers

Fitted as Std Option 1205

Double Wheel Each Side



Kite – Lights



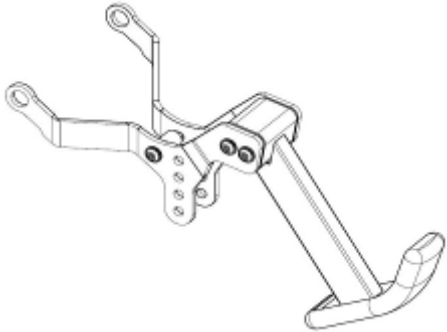
German Homological Lights at Present Time Option 1367

LED Lights to come Possibly August

Kite – Lights (LED Version)



Kite – Accessories



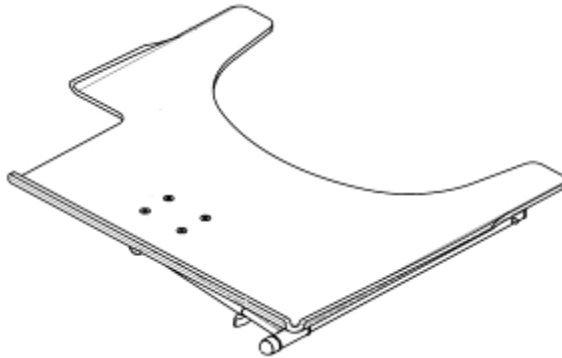
Option 1244 Kerb Climber



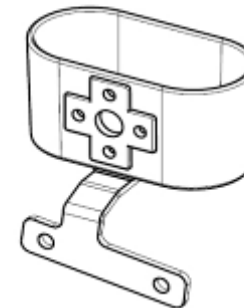
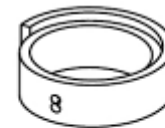
Front Fender Option 1416



Rear Fender Option 1417



**Option 1404 and 1405
Swingaway Tray**



Option 1312 and 1363

Kite – Simplification

Cross compatibility and reduced complexity



Phase 2

- Lifter version to be confirmed 2011
- Front fork suspension August 2011
- Max seat option August 2011
- LED light option August 2011
- R-Net (UK only) January 2012 (Ruled Out)

Differences Between the Spectra XTR2 and the Kite

Spectra XTR2

- 50amp Batteries
- 20.5 Stone Max User Weight
- Swing Arm
- ACS and R-Net Controls
- 8" or 9" Castors
- 12" Rear Wheels
- 6 and 10k/hr versions
- 3 Seats Std, Flex II and Firm

Kite

- 60 or 73amp Batteries
- 25 Stone Max User Weight
- Dual Swing Technology
- ACS Controls
- 10" Castors
- 14" Rear Wheels
- 6 and 10 k/hr
- 2 Seats Std and Flex II

Pricing

Ireland

	Std Seat	FlexII Seat
Spectra XTR	3,894 Euros	4,414 Euros
Kite	4,890 Euros	5,895 Euros
Storm 4	6,292 Euros	6,962 Euros

Kite - Serviceability

Features

- Easy access to electronic and batteries without tools



Benefits

- For quick and trouble-free maintenance

